



US00D901163S

(12) **United States Design Patent**  
**Hodgdon**

(10) **Patent No.:** **US D901,163 S**

(45) **Date of Patent:** **\*\* Nov. 10, 2020**

(54) **LACE**

(71) Applicant: **Michael T. Hodgdon**, Oakland, CA  
(US)

(72) Inventor: **Michael T. Hodgdon**, Oakland, CA  
(US)

(\*\*) Term: **15 Years**

(21) Appl. No.: **29/641,379**

(22) Filed: **Mar. 21, 2018**

(51) **LOC (12) Cl.** ..... **02-04**

(52) **U.S. Cl.**  
USPC ..... **D2/978**

(58) **Field of Classification Search**  
USPC ..... D2/896, 916-918, 946, 968, 969, 976,  
D2/977, 978  
CPC ..... A43B 3/105; A43B 3/122; A43B 3/12;  
A43B 9/00; A43B 23/28; A47C 5/02;  
E05C 17/36  
See application file for complete search history.

(56) **References Cited**

**U.S. PATENT DOCUMENTS**

1,269,274	A	6/1918	Frascola	
3,701,572	A	10/1972	Velasquez	
4,423,539	A	1/1984	Ivanhoe	
D346,895	S *	5/1994	Martin	D2/978
D495,130	S *	8/2004	Sherman	D2/978
8,458,864	B1 *	6/2013	Patton	A61F 5/3792 24/16 R
D727,009	S *	4/2015	Aleshka	D2/978
D743,668	S *	11/2015	Holloway	D2/636
D747,866	S *	1/2016	Armstrong	D2/978
D768,376	S *	10/2016	Martinson	D2/978
D828,005	S *	9/2018	Trapali	D2/976
D845,610	S *	4/2019	Mayden	D2/978

10,463,108 B2 \* 11/2019 Martinson ..... A43C 9/00  
2009/0229095 A1 9/2009 Valdez  
2014/0041167 A1 2/2014 Simmons

**FOREIGN PATENT DOCUMENTS**

CN 103504721 1/2014

**OTHER PUBLICATIONS**

Google Translation of Foreign Patent Document, CN 103504721 A, Inventor Zi Jianping, Publication Date Jan. 15, 2014. From the Internet: <https://patents.google.com/patent/CN103504721A/en?q=shoelace+with+hook>.

\* cited by examiner

*Primary Examiner* — Rashida C. Walshon  
(74) *Attorney, Agent, or Firm* — Cramer Patent & Design, PLLC; Aaron R. Cramer

(57) **CLAIM**

The ornamental design for a lace, as shown and described.

**DESCRIPTION**

FIG. 1 is a perspective top front left view of a lace, showing my new design;

FIG. 2 is a perspective top rear right view thereof;

FIG. 3 is a rear elevation view thereof;

FIG. 4 is a front elevation view thereof;

FIG. 5 is a right elevation view thereof;

FIG. 6 is a left elevation view thereof;

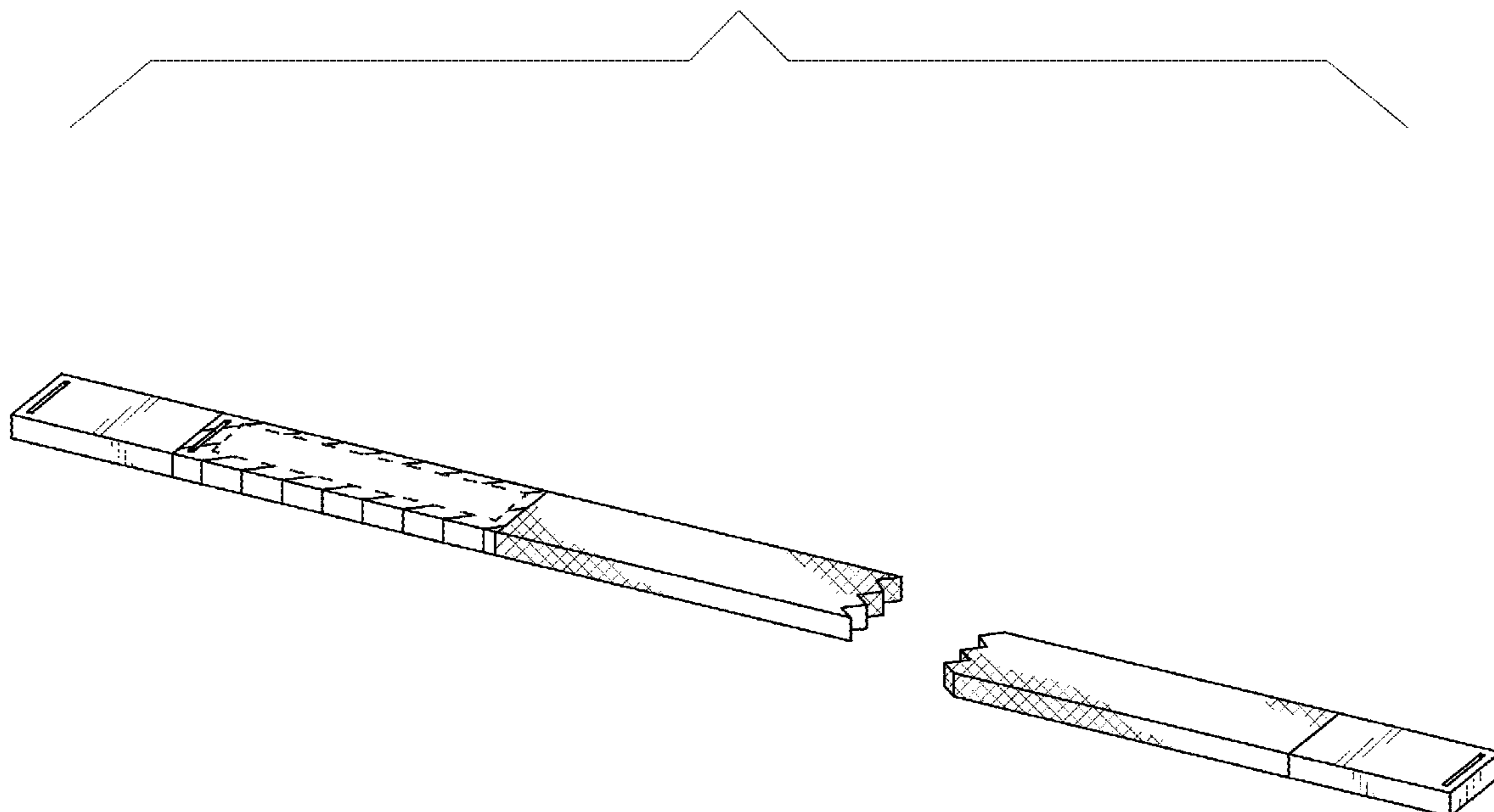
FIG. 7 is a top plan view thereof; and,

FIG. 8 is a bottom plan view thereof.

The lace is shown in two parts separated by a jagged break to indicate a lace having indeterminant length.

The broken line drawing is intended to indicate a region where a pocket may be secured and forms no part of the claimed design.

**1 Claim, 7 Drawing Sheets**



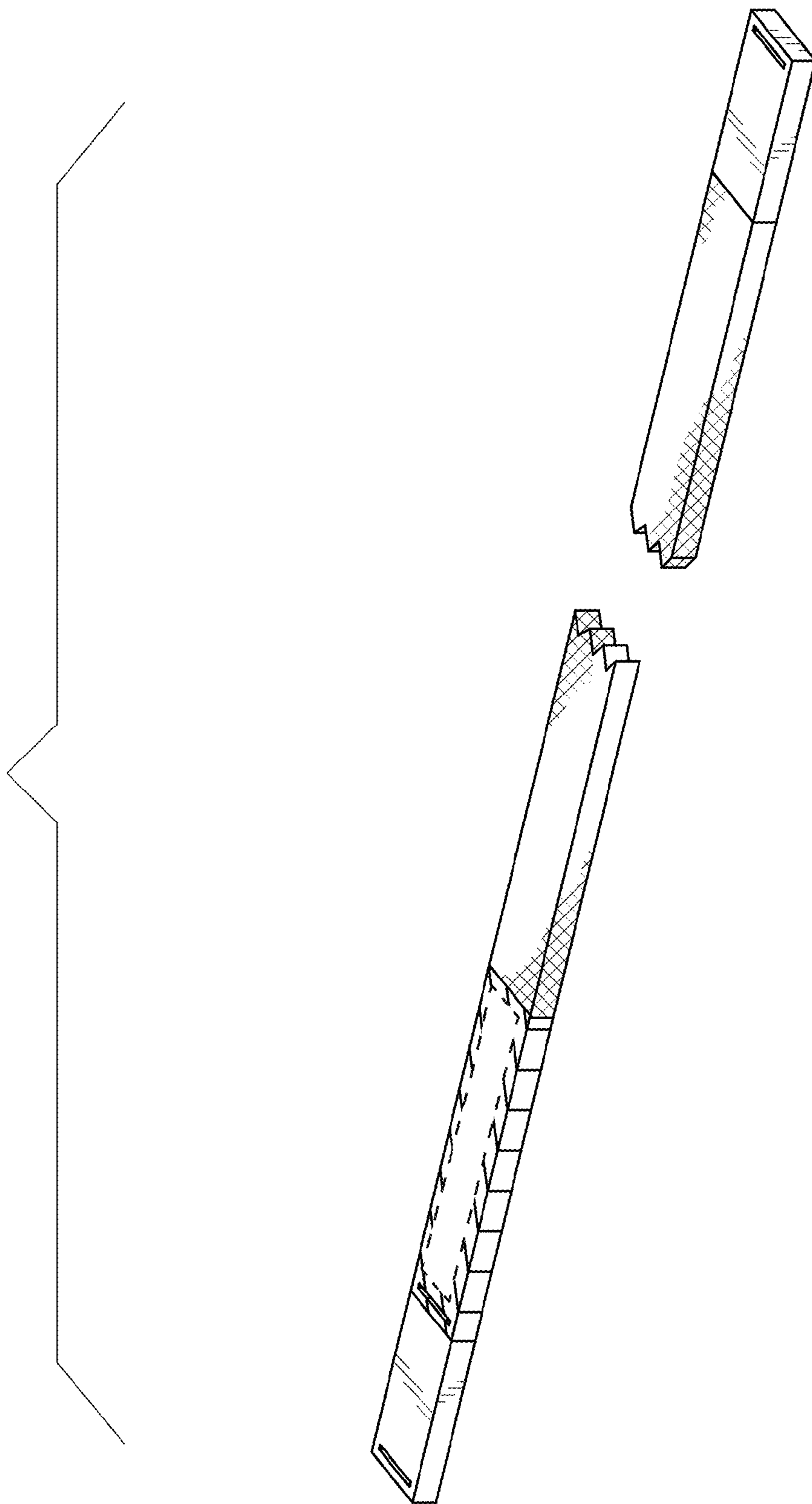


FIG. 1

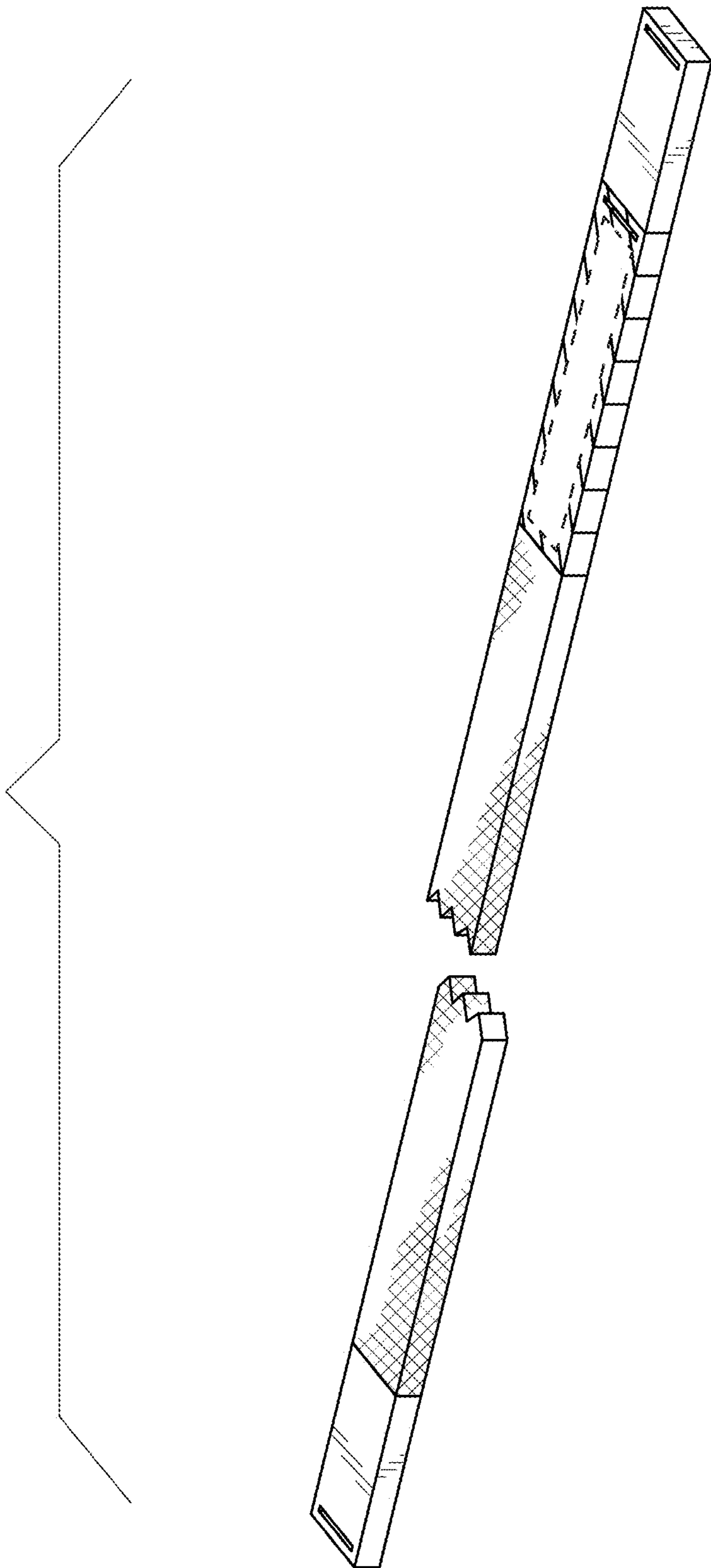


FIG. 2

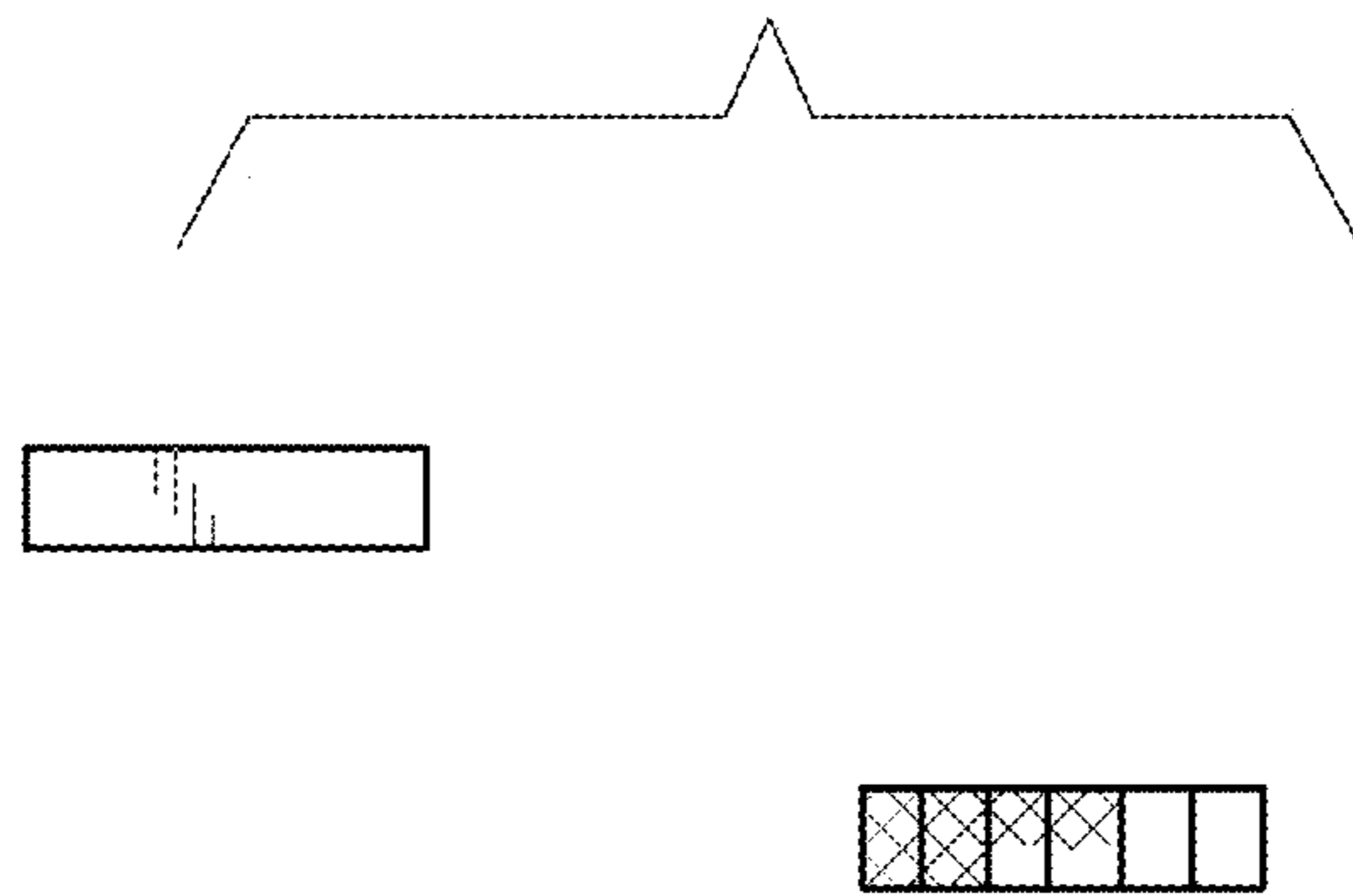


FIG. 3

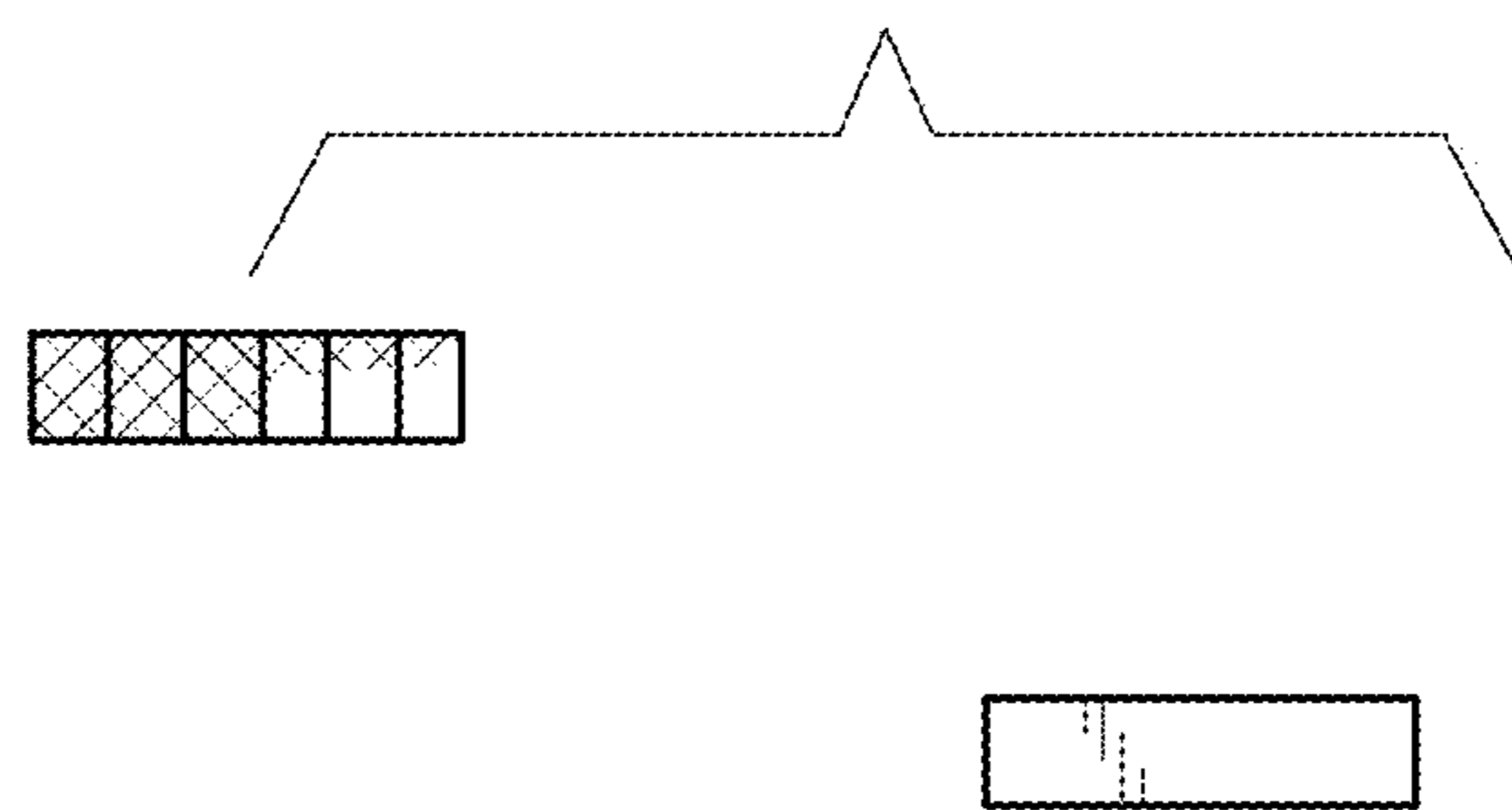


FIG. 4

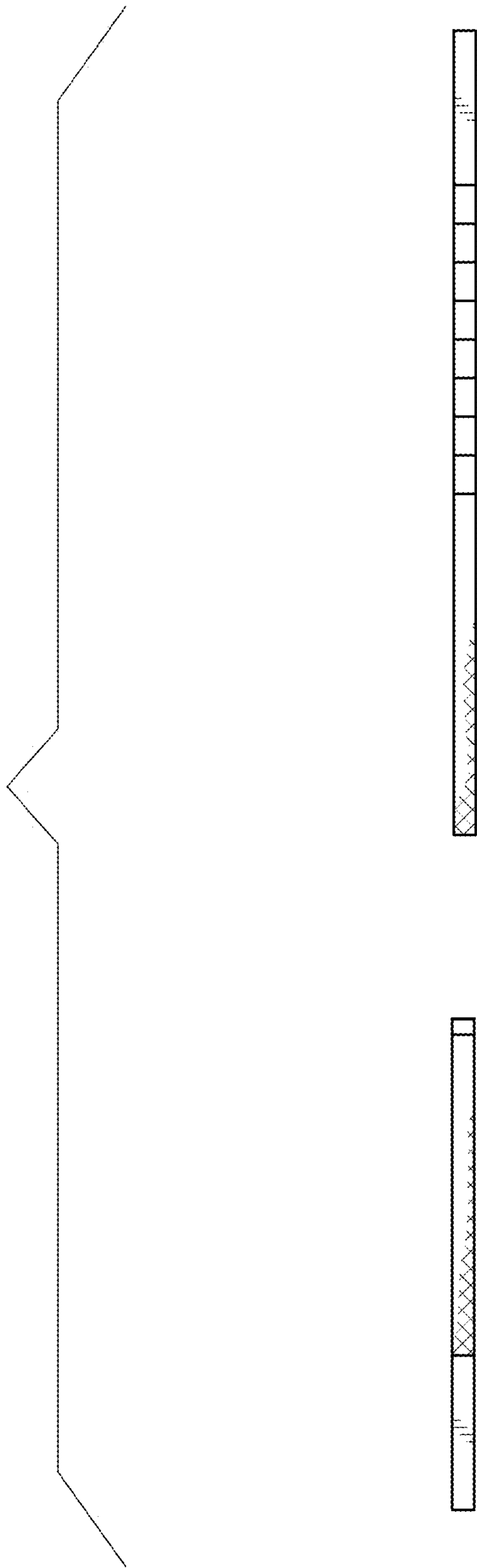


FIG. 5

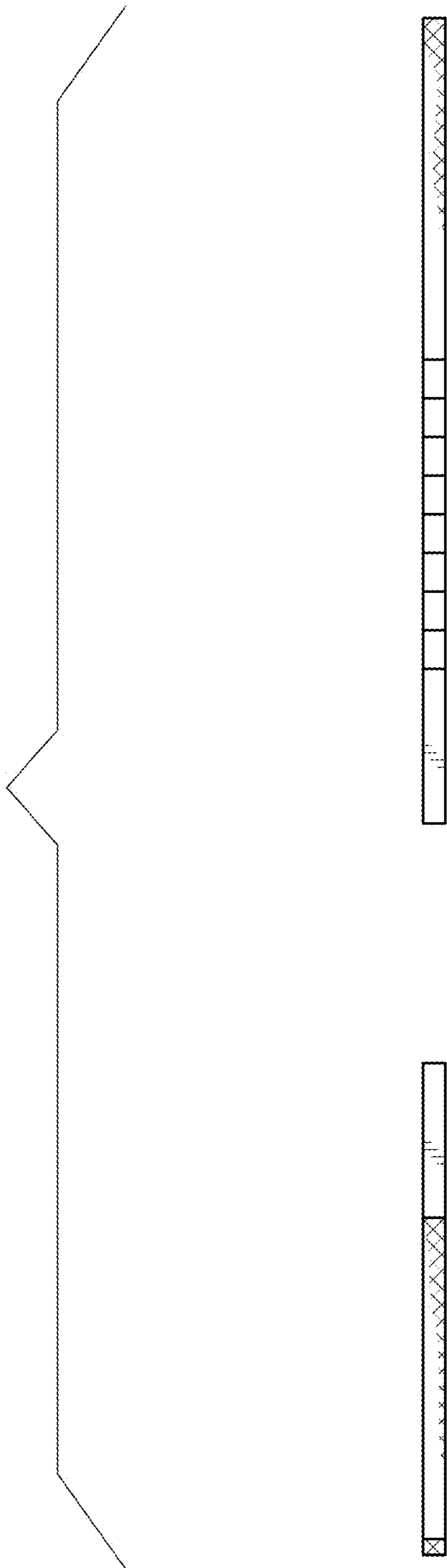


FIG. 6

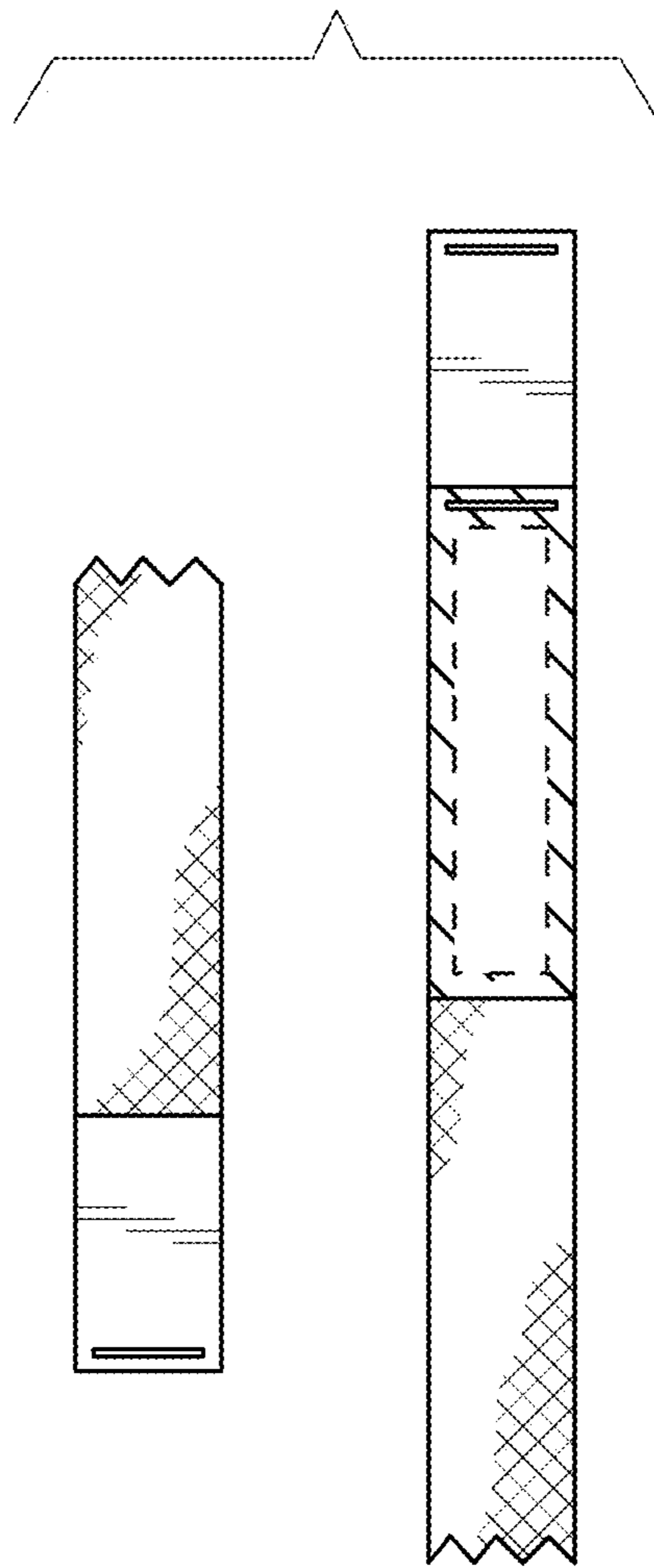


FIG. 7

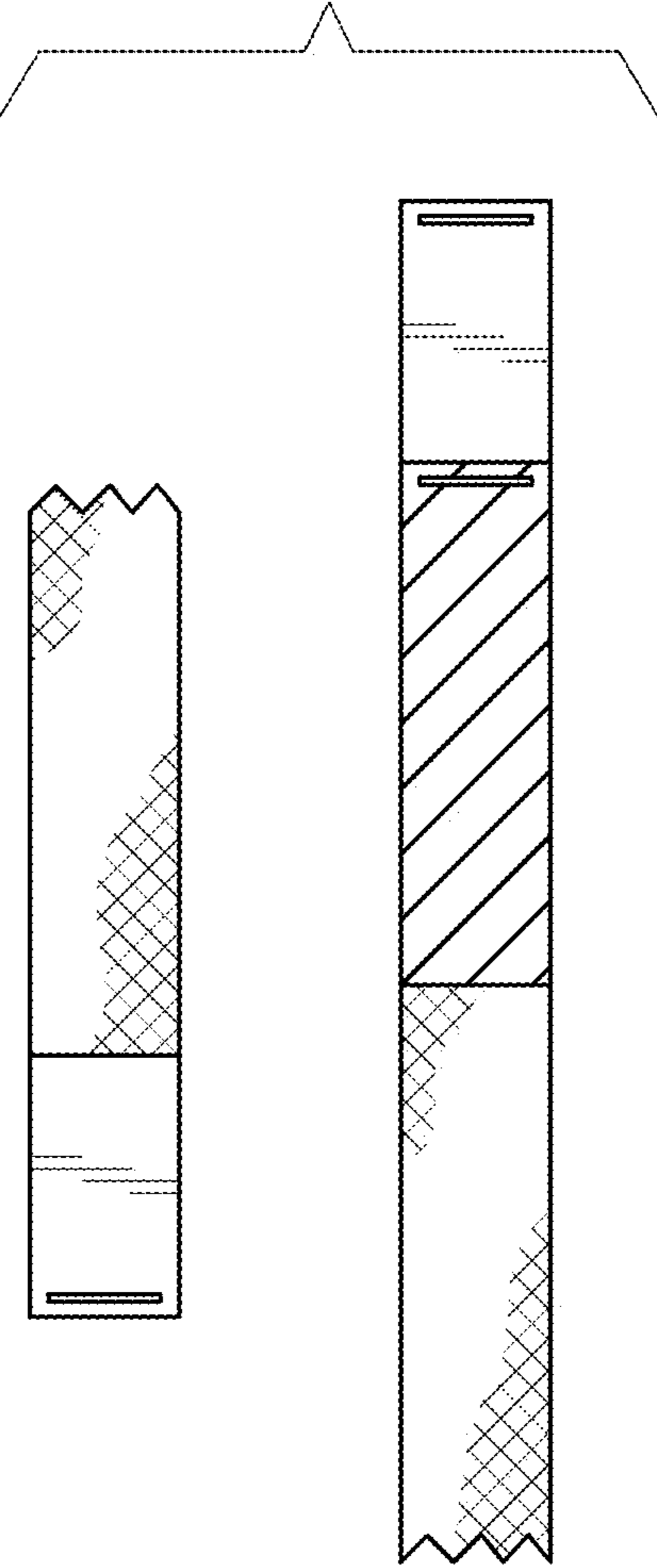


FIG. 8