



US00D901154S

(12) **United States Design Patent** (10) **Patent No.:** **US D901,154 S**
Yang (45) **Date of Patent:** **** Nov. 10, 2020**

- (54) **SLIP RESISTANT OUTSOLE**
- (71) Applicant: **J & B Yang Corporation**, Calexico, CA (US)
- (72) Inventor: **Bong Yang**, Calexico, CA (US)
- (73) Assignee: **J & B YANG CORPORATION**, Calexico, CA (US)
- (**) Term: **15 Years**
- (21) Appl. No.: **29/646,589**
- (22) Filed: **May 4, 2018**
- (51) **LOC (12) Cl.** **02-04**
- (52) **U.S. Cl.**
USPC **D2/957; D2/951; D2/960**
- (58) **Field of Classification Search**
USPC D2/902, 906, 908, 916, 918, 925, D2/946-962, 977; 36/3 B, 22 R, 24.5, 36/25 R, 28, 32 R, 34 R, 59 C, 67 A, 103
CPC A43B 13/00; A43B 13/02; A43B 13/023; A43B 13/026; A43B 13/04; A43B 13/08; A43B 13/10; A43B 13/12; A43B 13/14; A43B 13/141; A43B 13/143; A43B 13/16; A43B 13/18; A43B 13/181; A43B 13/187; A43B 13/189; A43B 13/20; A43B 13/22; A43B 13/223; A43B 13/24; A43B 13/28; A43B 13/30; A43B 13/32; A43B 13/34; A43B 13/36
See application file for complete search history.

- (56) **References Cited**
U.S. PATENT DOCUMENTS
354,693 A * 12/1886 Dick A43B 17/006 36/3 B
D51,643 S * 1/1918 Johnson D2/959
D51,644 S * 1/1918 Johnson D2/959
D117,831 S * 11/1939 Johnson D2/959
4,445,286 A * 5/1984 Norton A43B 13/26 36/32 R
D307,816 S * 5/1990 Schneider D2/959
(Continued)

Primary Examiner — T Chase Nelson
(74) *Attorney, Agent, or Firm* — I. Morley Drucker; Buchalter, a PC

(57) **CLAIM**

The ornamental design for a slip resistant outsole, as shown and described.

DESCRIPTION

FIG. 1 is a perspective view of a slip resistant outsole showing the claimed design in an environment with repeated modules like that of the claimed design set within a slip resistant outsole and in a condition of use with an unclaimed footwear upper;

FIG. 2 is a plan view of FIG. 1;

FIG. 3 is an enlarged view, in perspective, of the claimed design shown removed from the environment shown in FIGS. 1 and 2;

FIG. 4 is another perspective thereof, but rotated 180 degrees and shows view lines 6-6, 7-7, 8-8, and 9-9 from which the viewpoints for the FIG. 6 through 9 views are shown;

FIG. 5 is a plan view thereof;

FIG. 6 is a side elevation view thereof, taken from line 6-6 in FIG. 4;

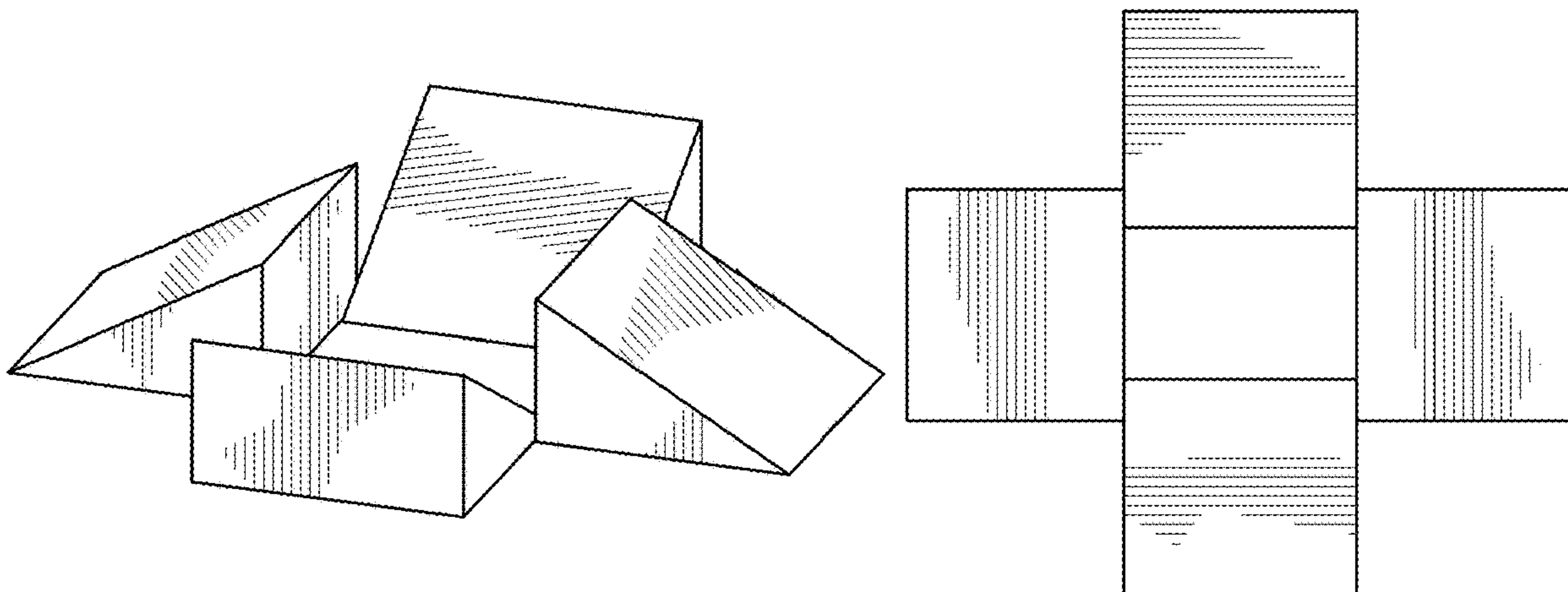
FIG. 7 is a side elevation view thereof, taken from line 7-7 in FIG. 4;

FIG. 8 is a side elevation view thereof, taken from line 8-8 in FIG. 4; and,

FIG. 9 is a side elevation view thereof, taken from line 9-9 in FIG. 4.

The broken lines shown in the figures are for purposes of illustrating portions of the slip resistant outsole, including unclaimed repeat modules of the claimed design, as well as environment in the form of a footwear upper. The broken lines and structures they depict form no part of the claimed design.

1 Claim, 4 Drawing Sheets



(56)

References Cited

U.S. PATENT DOCUMENTS

D307,817 S * 5/1990 Schneider D2/959
 D316,627 S * 5/1991 Schneider D2/959
 D322,153 S * 12/1991 Schneider D2/959
 D335,572 S * 5/1993 Peterson D2/959
 D389,995 S * 2/1998 Cockrell D2/947
 D394,342 S * 5/1998 Schneider D2/959
 D402,451 S * 12/1998 Wunsch D2/959
 D427,758 S * 7/2000 Schneider D2/951
 D446,914 S * 8/2001 Cockrell D2/959
 D446,915 S * 8/2001 Cockrell D2/959
 D446,916 S * 8/2001 Cockrell D2/947
 D488,295 S * 4/2004 Rosenberg D2/961
 D511,881 S * 11/2005 Cockrell D2/947
 D529,694 S * 10/2006 Cockrell D2/959
 D532,585 S * 11/2006 McDonald D2/959
 D542,017 S * 5/2007 Cockrell D2/957
 D554,839 S * 11/2007 Jensen D2/957
 D561,438 S * 2/2008 Belley D2/953
 D575,941 S * 9/2008 Weber D2/907
 D597,735 S * 8/2009 Norton D2/957
 D604,931 S 12/2009 Weber
 D616,187 S 5/2010 Moon
 D625,500 S * 10/2010 Dekovic D2/951
 D635,338 S * 4/2011 Favreau D2/946
 D636,161 S * 4/2011 Favreau D2/962
 D653,438 S 2/2012 Moon
 8,474,155 B2 * 7/2013 McDonald A43B 1/0063
 36/102
 D744,212 S * 12/2015 Boudreau D2/951
 D744,733 S * 12/2015 Adam D2/951
 D756,094 S * 5/2016 Nyssen D2/951
 D765,373 S * 9/2016 Swierszczk D2/951
 D788,426 S * 6/2017 Hardman D2/951
 D794,296 S * 8/2017 Lee D2/947
 D795,547 S * 8/2017 Winfield D2/951
 D799,803 S * 10/2017 Nethongkome D2/953
 D801,014 S * 10/2017 Bruno D2/947
 D802,899 S * 11/2017 Bischoff D2/957
 D803,534 S * 11/2017 Strother D2/957
 D803,535 S * 11/2017 Strother D2/957

D803,536 S * 11/2017 Strother D2/957
 D806,372 S * 1/2018 Boudreau A43B 1/0063
 D2/957
 D811,708 S * 3/2018 Diard D2/959
 D812,881 S * 3/2018 Jalbert D2/957
 D813,502 S * 3/2018 Weidenbach Gerbase D2/902
 D821,719 S * 7/2018 Sokol A43B 13/125
 D2/959
 D828,990 S * 9/2018 Evans A43B 1/0018
 D2/961
 D832,563 S * 11/2018 Kuerbis D2/957
 D833,123 S * 11/2018 Sassi A43B 13/125
 D2/908
 D838,942 S * 1/2019 Sassi A43B 13/26
 D2/896
 D841,964 S * 3/2019 Kaiserswerth D2/957
 D845,600 S * 4/2019 Evans D2/959
 D849,382 S * 5/2019 Jenkins D2/959
 D850,083 S * 6/2019 Jenkins D2/959
 D851,881 S * 6/2019 Hatfield D2/957
 D859,801 S * 9/2019 Jenkins D2/959
 D860,614 S * 9/2019 Bishoff D2/959
 D862,857 S * 10/2019 Boudreau D2/957
 D871,033 S * 12/2019 Nikolic D2/947
 2009/0293314 A1 * 12/2009 Dekovic A43B 13/141
 36/103
 2013/0283641 A1 * 10/2013 Rapf A43B 13/26
 36/103
 2014/0109441 A1 * 4/2014 McDowell A43B 7/085
 36/103
 2014/0150297 A1 * 6/2014 Holmes A43B 13/125
 36/103
 2014/0259788 A1 * 9/2014 Dojan A43B 1/0018
 36/103
 2016/0174659 A1 * 6/2016 Lubart A43B 13/223
 36/59 C
 2016/0255911 A1 * 9/2016 Fujita A43B 13/125
 2017/0119091 A1 * 5/2017 Bischoff A43B 13/188
 2018/0184758 A1 * 7/2018 Glancy A43B 13/22
 2019/0365035 A1 * 12/2019 Jenkins A43B 13/187

* cited by examiner

FIG. 1

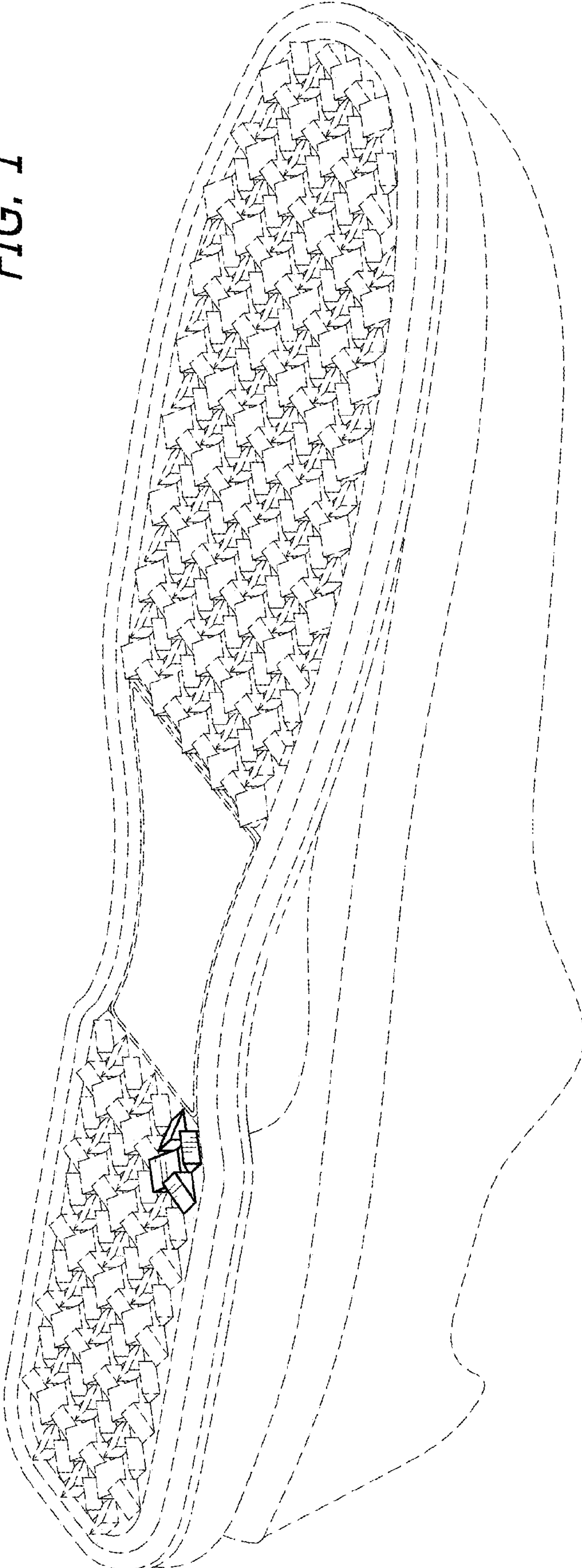
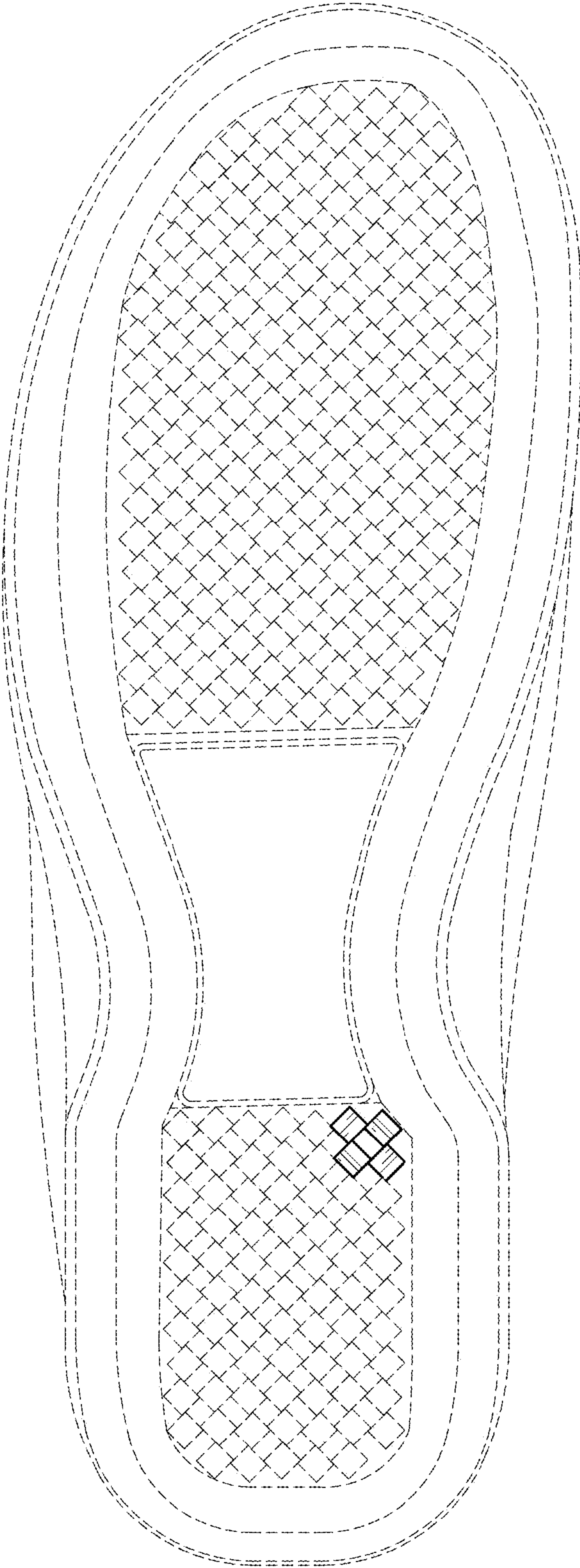


FIG. 2



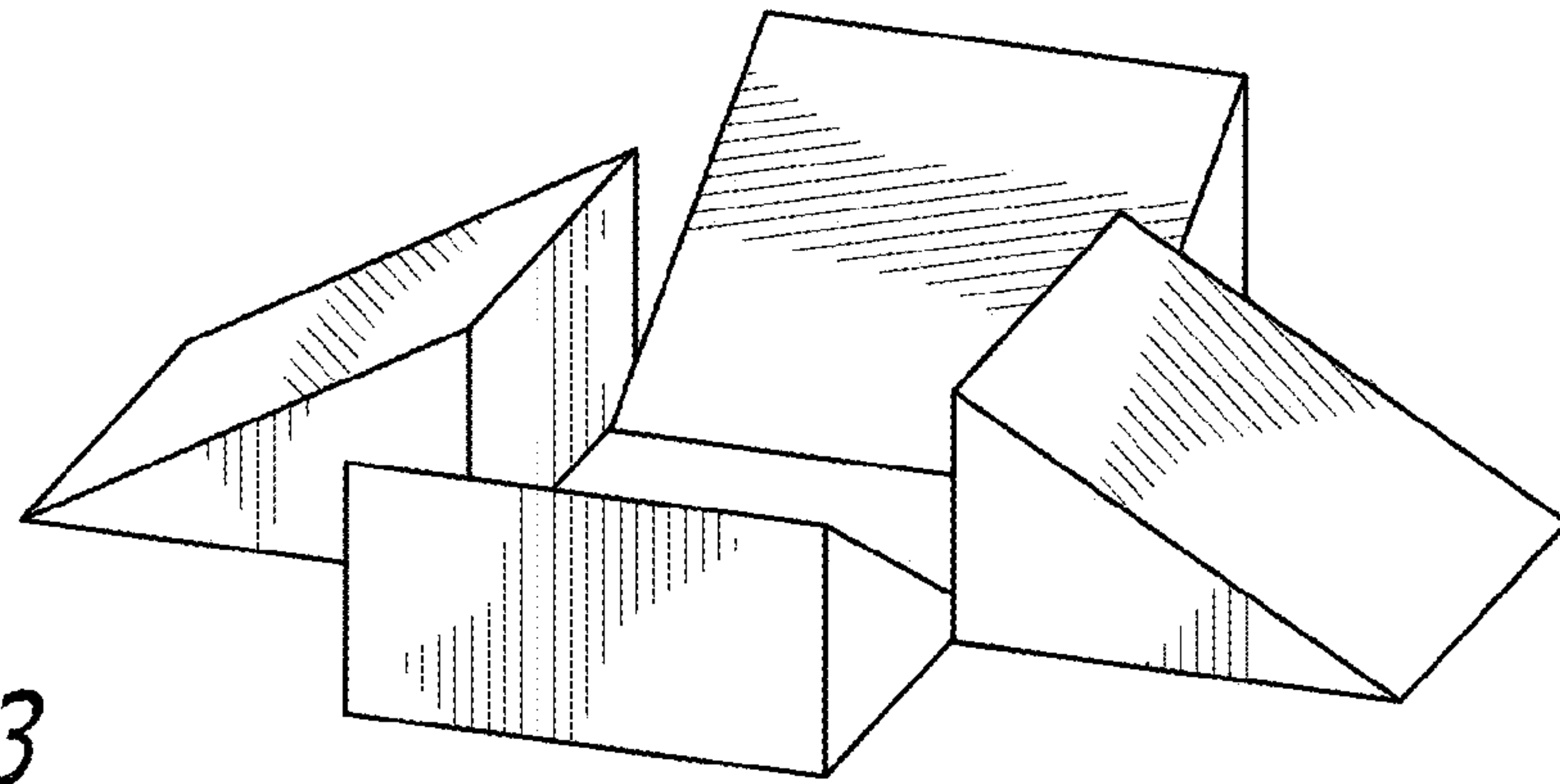


FIG. 3

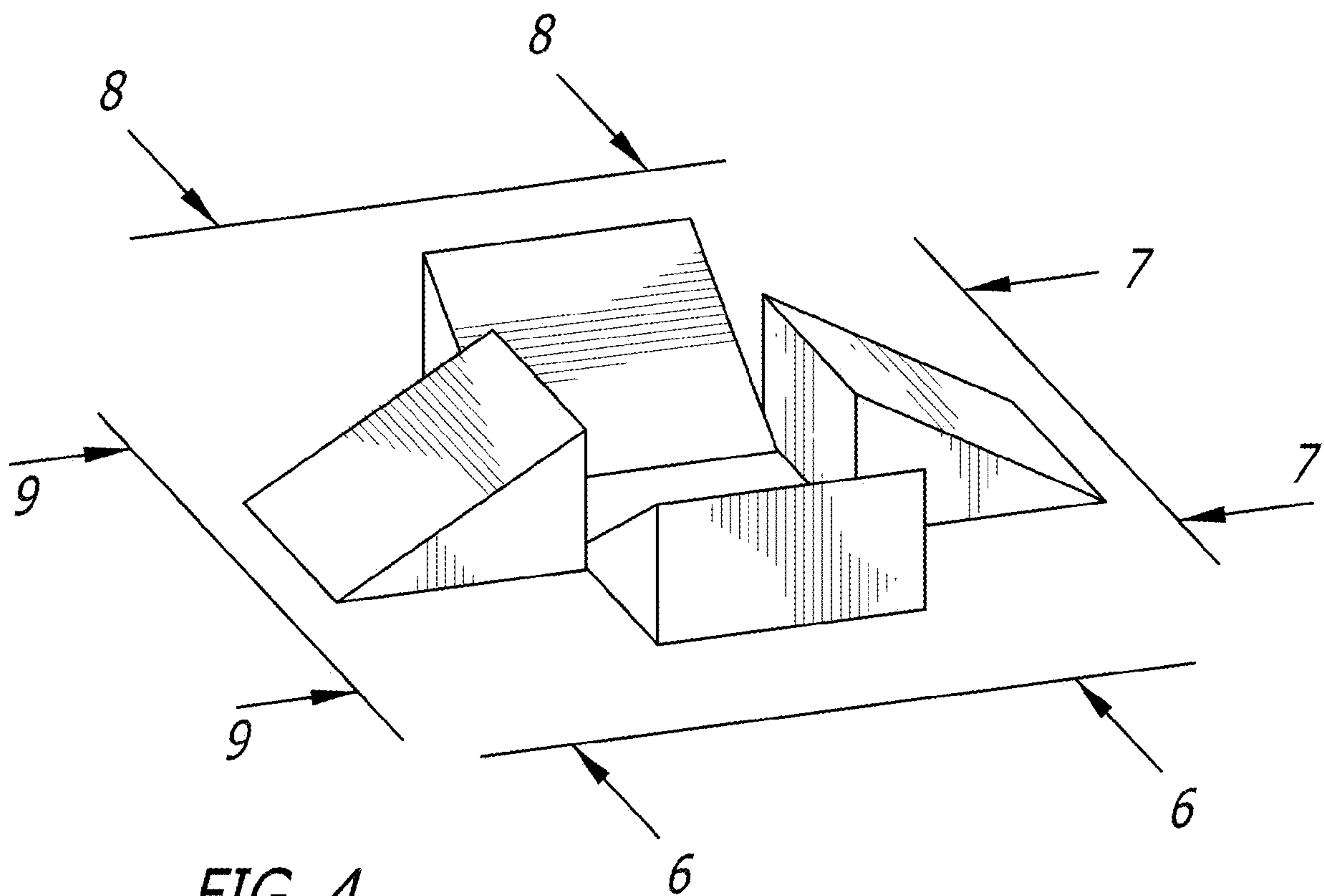


FIG. 4

FIG. 5

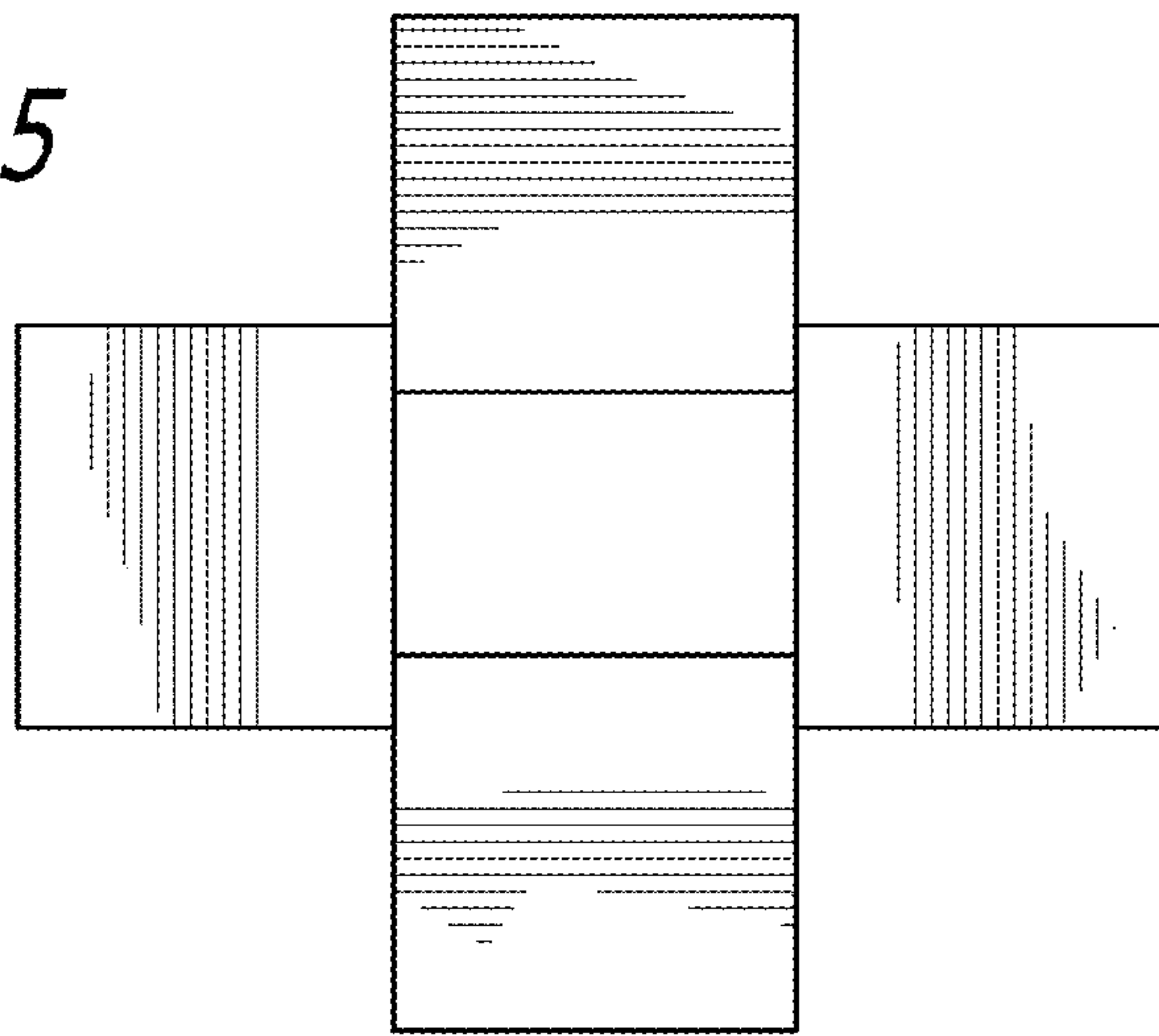


FIG. 6

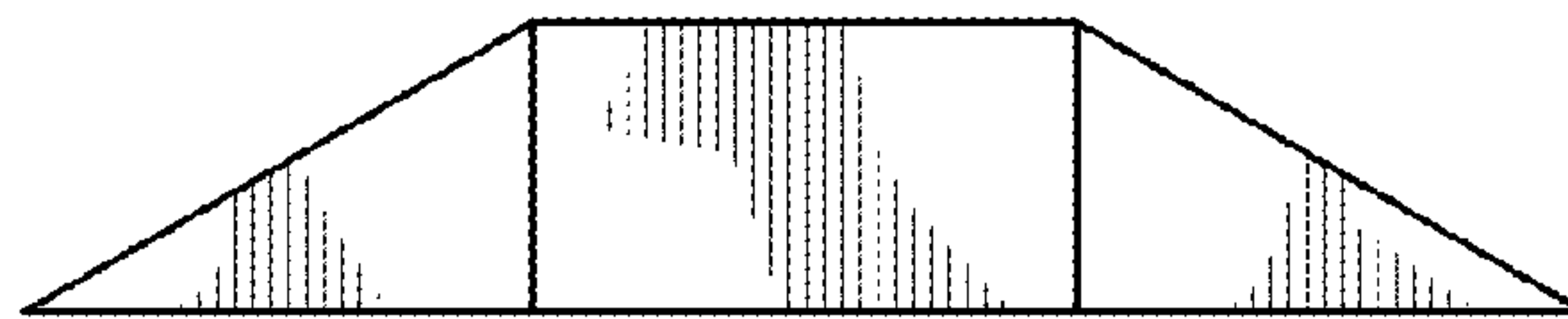


FIG. 7

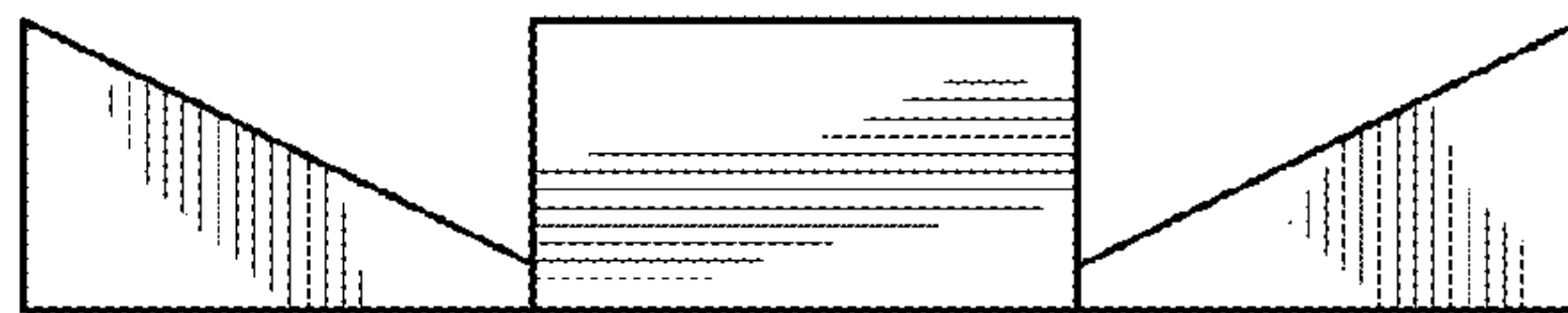


FIG. 8

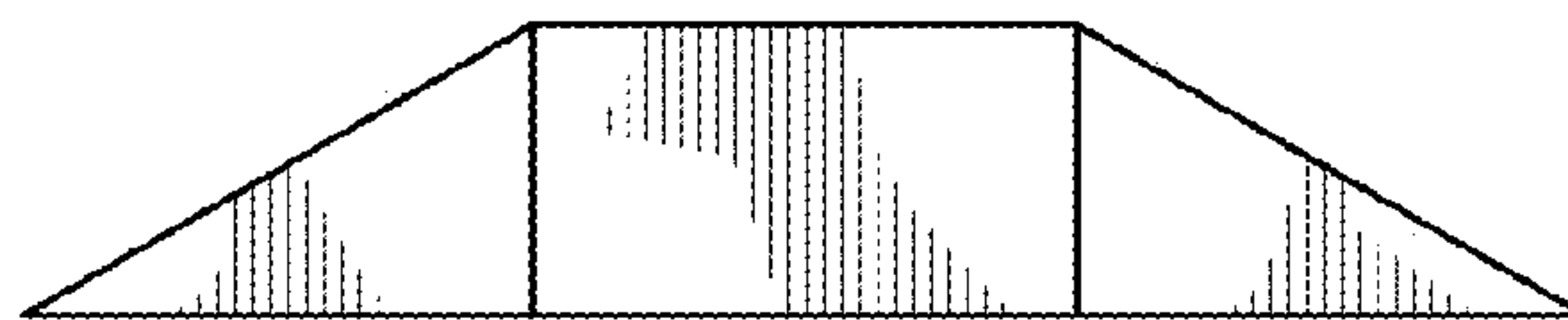


FIG. 9

