



US00D901127S

(12) **United States Design Patent**
Monk et al.

(10) **Patent No.:** **US D901,127 S**

(45) **Date of Patent:** **** Nov. 10, 2020**

(54) **CUT POTATO PRODUCT**

(71) Applicant: **Lamb Weston, Inc.**, Eagle, ID (US)

(72) Inventors: **Samuel Monk**, Richland, WA (US);
Mark Fow, Kennewick, WA (US);
Jake Fischer, Kennewick, WA (US);
Roger Samoray, Kennewick, WA (US)

(73) Assignee: **Lamb Weston, Inc.**, Eagle, ID (US)

(**) Term: **15 Years**

(21) Appl. No.: **29/694,769**

(22) Filed: **Jun. 13, 2019**

(51) **LOC (12) Cl.** **01-01**

(52) **U.S. Cl.**

USPC **D1/125**

(58) **Field of Classification Search**

USPC D1/100-130, 199; D7/504, 509, 510,
D7/523, 524, 555, 566, 568, 584-587,
D7/602, 672, 300.1; D21/386, 672, 803,
D21/821; D19/91; 426/92, 94, 95, 99,
426/101, 138-139, 143, 279, 282, 283,
426/391, 514; D11/146, 151, 154, 78,
D11/131, 141, 152; D14/480.5, 484.1;
D25/119, 121, 126; D30/160; 220/566;
D34/28, 29

CPC A21D 13/0029; A21D 13/0074; A21D
13/0022; A21D 13/0006; A23L 1/1641;
A23L 1/005

See application file for complete search history.

(56) **References Cited**

U.S. PATENT DOCUMENTS

D26,958 S * 4/1897 Mullins D1/121
D48,001 S * 10/1915 Kellogg D1/199
D49,915 S * 11/1916 Adelman D7/672
2,243,137 A * 5/1941 Vaughan A47J 37/0611
99/381

D149,511 S * 5/1948 Mitzel D1/102
2,769,714 A 11/1956 Bernhardt et al.
3,338,724 A 8/1967 Adler et al.
3,809,758 A 5/1974 Mathias et al.
3,865,964 A 2/1975 Kellermeier et al.
4,082,855 A 4/1978 Citti et al.
4,198,437 A 4/1980 Citti et al.
D268,539 S 4/1983 Hamann et al.
4,420,494 A 12/1983 Glantz
4,447,459 A 5/1984 Balboni et al.
4,455,321 A 6/1984 Glabe et al.

(Continued)

Primary Examiner — Katie Jane Stoffko

(74) *Attorney, Agent, or Firm* — Ryan T. Grace; Advent, LLP

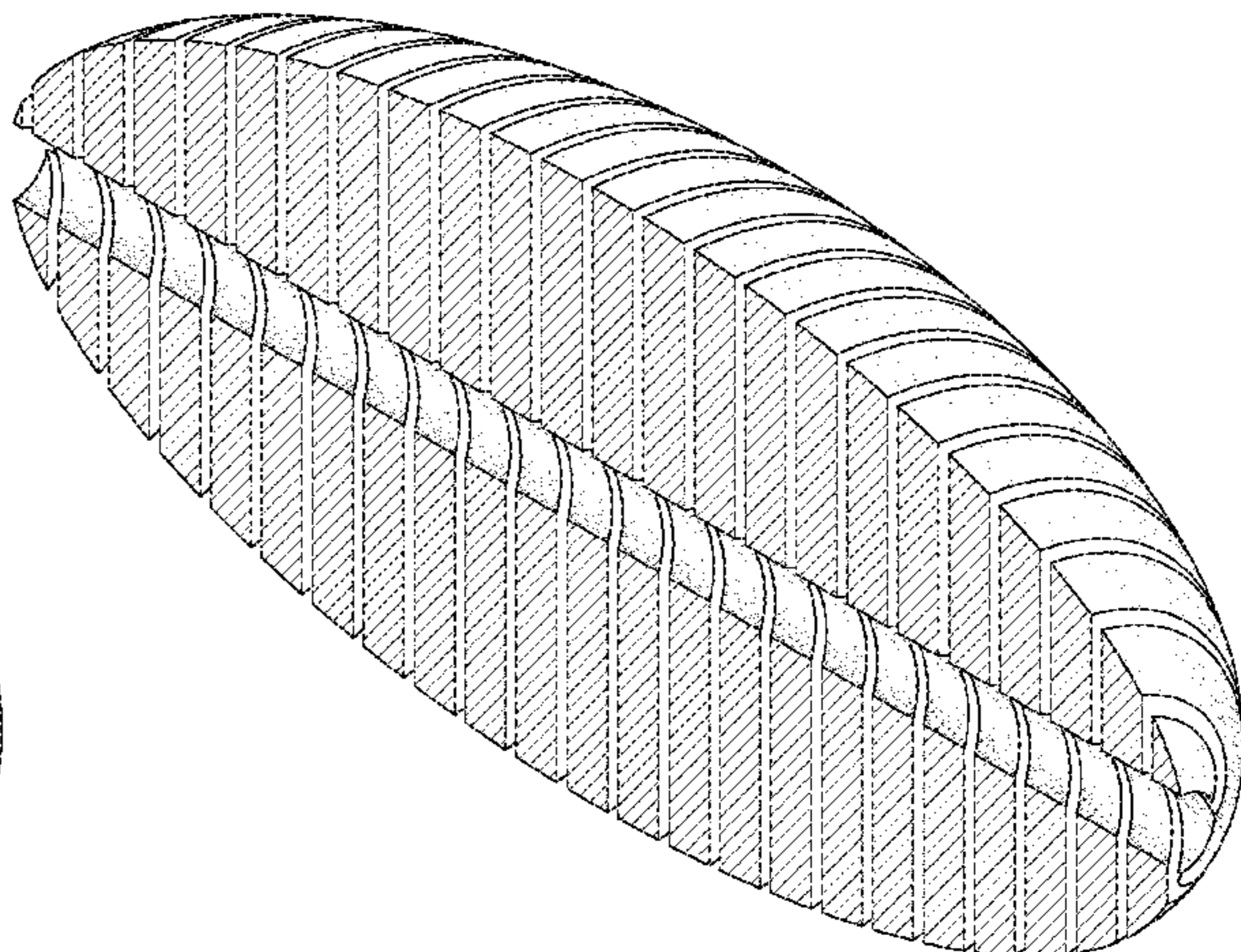
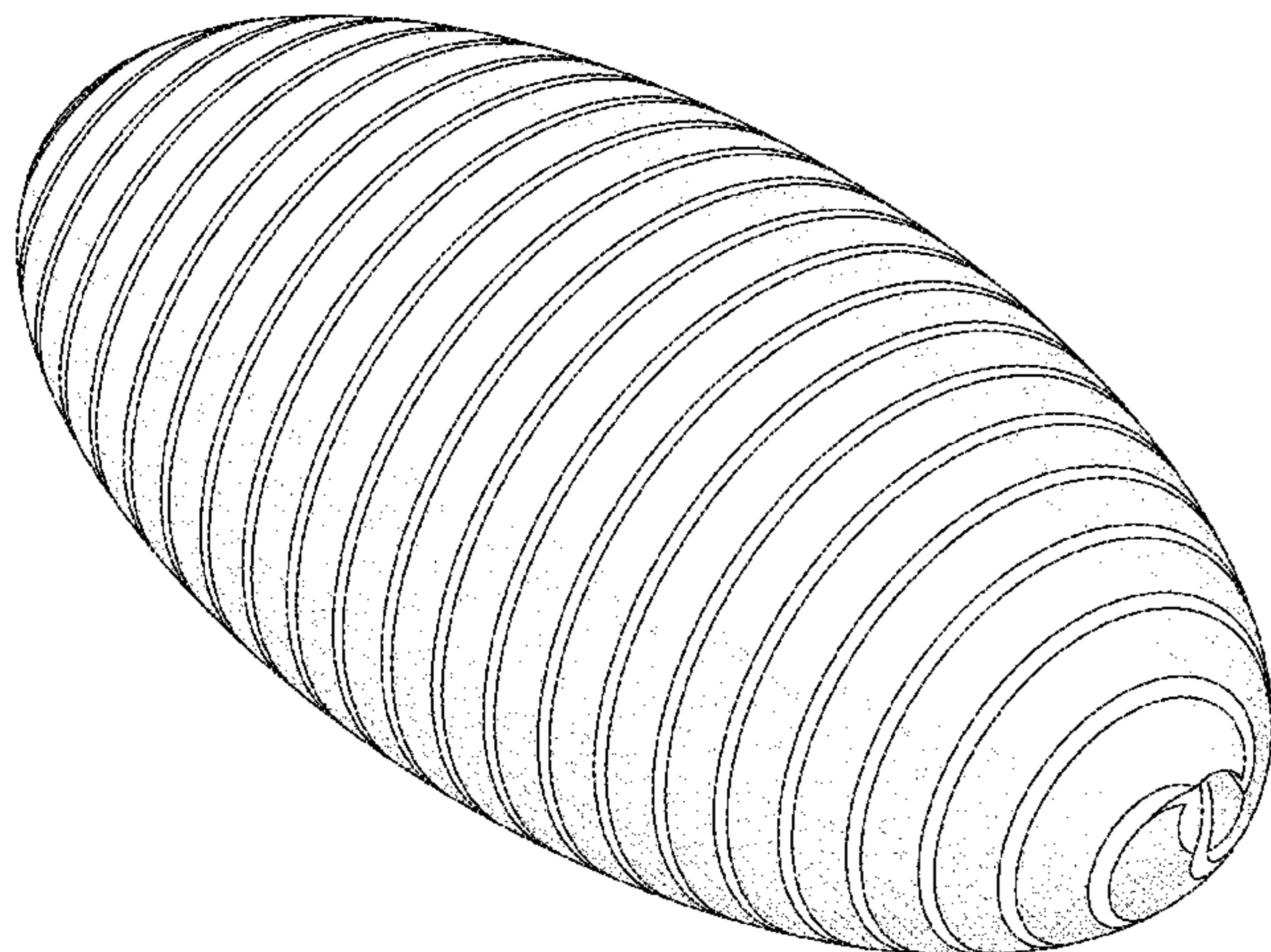
(57) **CLAIM**

The ornamental design for a cut potato product, as shown and described.

DESCRIPTION

FIG. 1 is a perspective view of a cut potato product;
FIG. 2 is a top plan view thereof;
FIG. 3 is a bottom plan view thereof;
FIG. 4 is a front elevation view thereof;
FIG. 5 is a rear elevation view thereof;
FIG. 6 is a left side elevation view thereof;
FIG. 7 is a right side elevation view thereof;
FIG. 8 is a cross-sectional view thereof, taken along line 8-8 in FIG. 2;
FIG. 9 is a cross-sectional perspective view thereof, taken along line 9-9 in FIG. 2;
FIG. 10 is a cross-sectional view thereof, taken along line 10-10 in FIG. 2;
FIG. 11 is a cross-sectional perspective view thereof, taken along line 11-11 in FIG. 2; and,
FIG. 12 is an exploded perspective view thereof.
Portions of FIGS. 1 through 12 are shown in broken lines illustrating portions of the article that form no part of the claimed design.

1 Claim, 12 Drawing Sheets



(56)

References Cited

U.S. PATENT DOCUMENTS

4,626,438 A	12/1986	Glantz		D720,917 S	1/2015	Rogers et al.
4,751,093 A	6/1988	Hong et al.		D721,217 S	1/2015	Rogers et al.
D297,580 S *	9/1988	Hoashi	D1/130	D721,218 S	1/2015	Rogers et al.
4,933,194 A	6/1990	Barry et al.		D721,219 S	1/2015	Rogers et al.
4,937,084 A	6/1990	Julian		D721,220 S	1/2015	Rogers et al.
5,035,915 A	7/1991	Mendenhall		D722,417 S	2/2015	Rogers et al.
5,128,210 A	7/1992	Housley		D722,419 S	2/2015	Rogers et al.
5,186,967 A	2/1993	Housley		D723,241 S	3/2015	Walker et al.
D492,467 S	7/2004	Pittard et al.		D723,242 S	3/2015	Walker et al.
D493,943 S	8/2004	Mendenhall		D723,243 S	3/2015	Walker et al.
D519,711 S *	5/2006	Dreano	D1/121	D725,343 S	3/2015	Rogers et al.
D525,762 S	8/2006	Evans		D728,892 S	5/2015	Rogers et al.
D531,384 S	11/2006	Wang		D728,894 S	5/2015	Rogers et al.
D577,176 S	9/2008	Young et al.		D729,491 S	5/2015	Rogers et al.
D581,627 S	12/2008	Young et al.		D729,492 S	5/2015	Rogers et al.
D586,397 S *	2/2009	Farnworth	D19/187	D729,493 S *	5/2015	Slusarczyk
D628,292 S *	11/2010	Berberich	D24/145	D735,441 S	8/2015	Rogers et al.
D640,036 S	6/2011	Walker et al.		D741,041 S	10/2015	Walker
D688,437 S	8/2013	Walker et al.		D742,091 S	11/2015	Rogers et al.
D707,418 S	6/2014	Rogers et al.		D745,244 S	12/2015	Rogers et al.
D712,618 S	9/2014	Rogers et al.		D745,245 S	12/2015	Rogers et al.
D714,017 S	9/2014	Rogers et al.		D746,019 S	12/2015	Rogers et al.
D714,517 S	10/2014	Rogers et al.		D748,366 S	2/2016	Rogers et al.
D714,521 S	10/2014	Rogers et al.		D762,341 S	8/2016	Rogers et al.
D716,517 S	11/2014	Walker et al.		D766,542 S	9/2016	Walker et al.
D716,518 S	11/2014	Walker et al.		D769,377 S *	10/2016	Wolff
D716,519 S	11/2014	Walker et al.		D782,874 S *	4/2017	Ross
D716,520 S	11/2014	Walker et al.		D813,491 S	3/2018	Walker
D720,916 S	1/2015	Rogers et al.		D873,508 S *	1/2020	Loibl
				2010/0310754 A1	12/2010	Rommens et al.
				2011/0239469 A1	10/2011	Young et al.

* cited by examiner

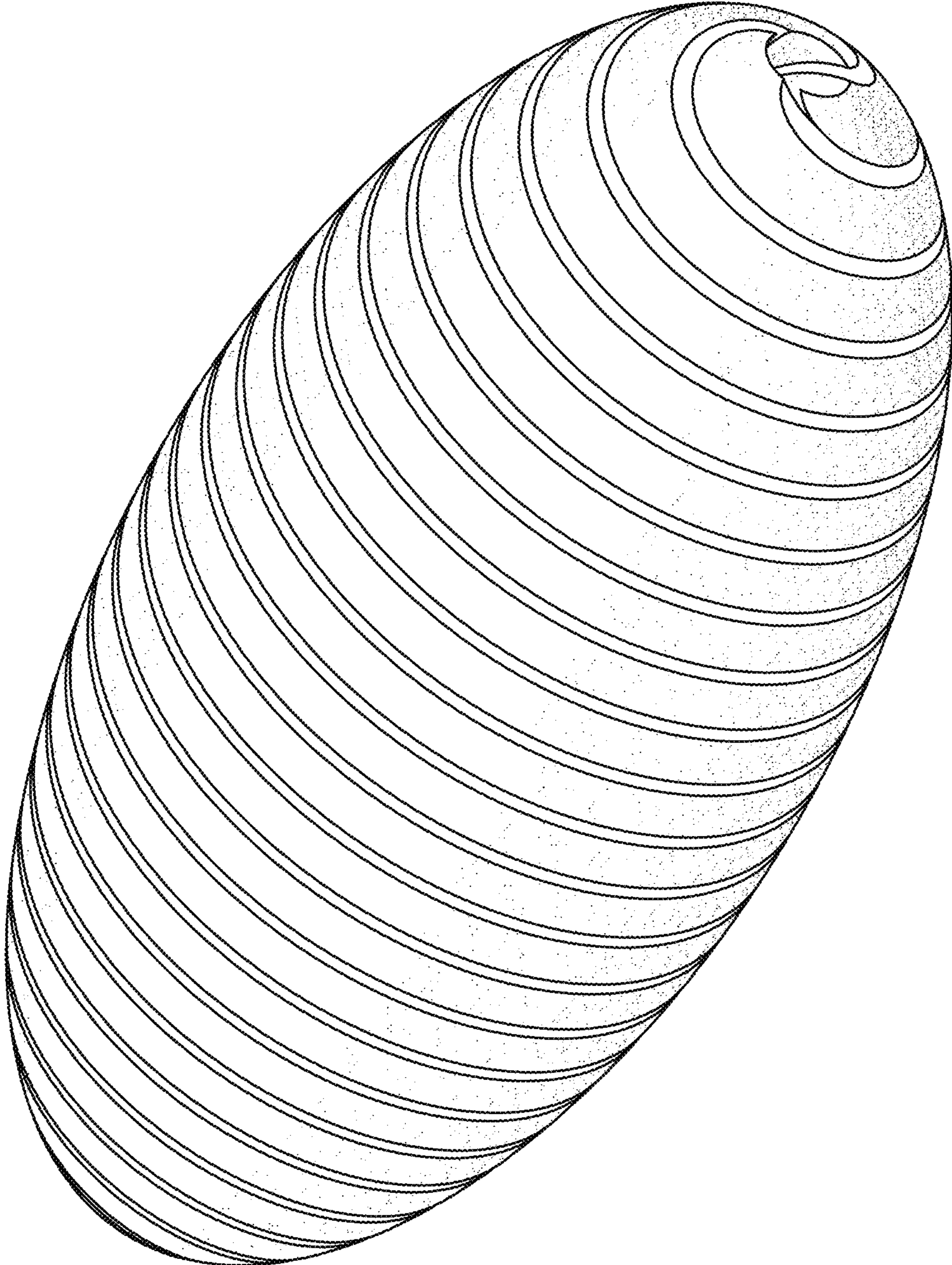
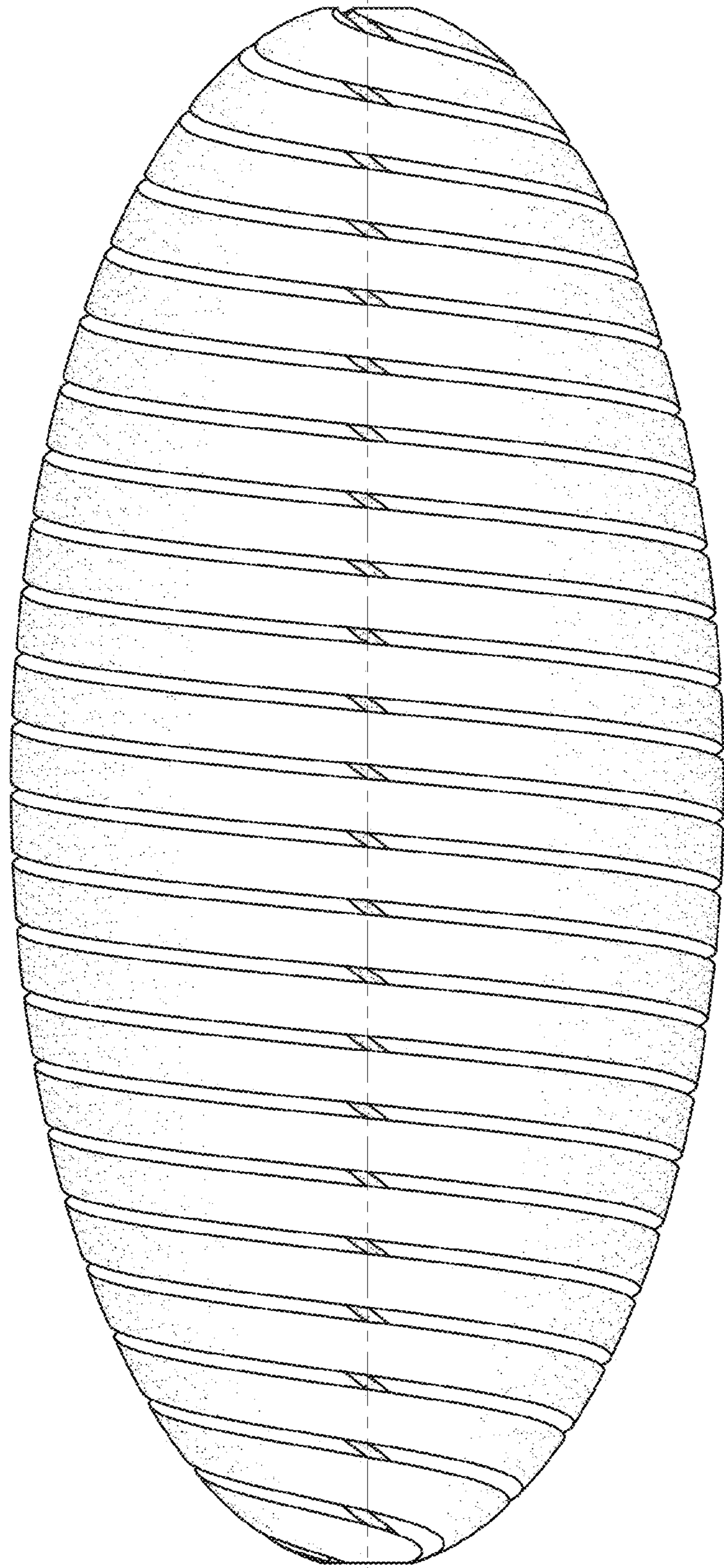


FIG. 1

10, 11 ← → 8, 9



10, 11 ← → 8, 9

FIG. 2

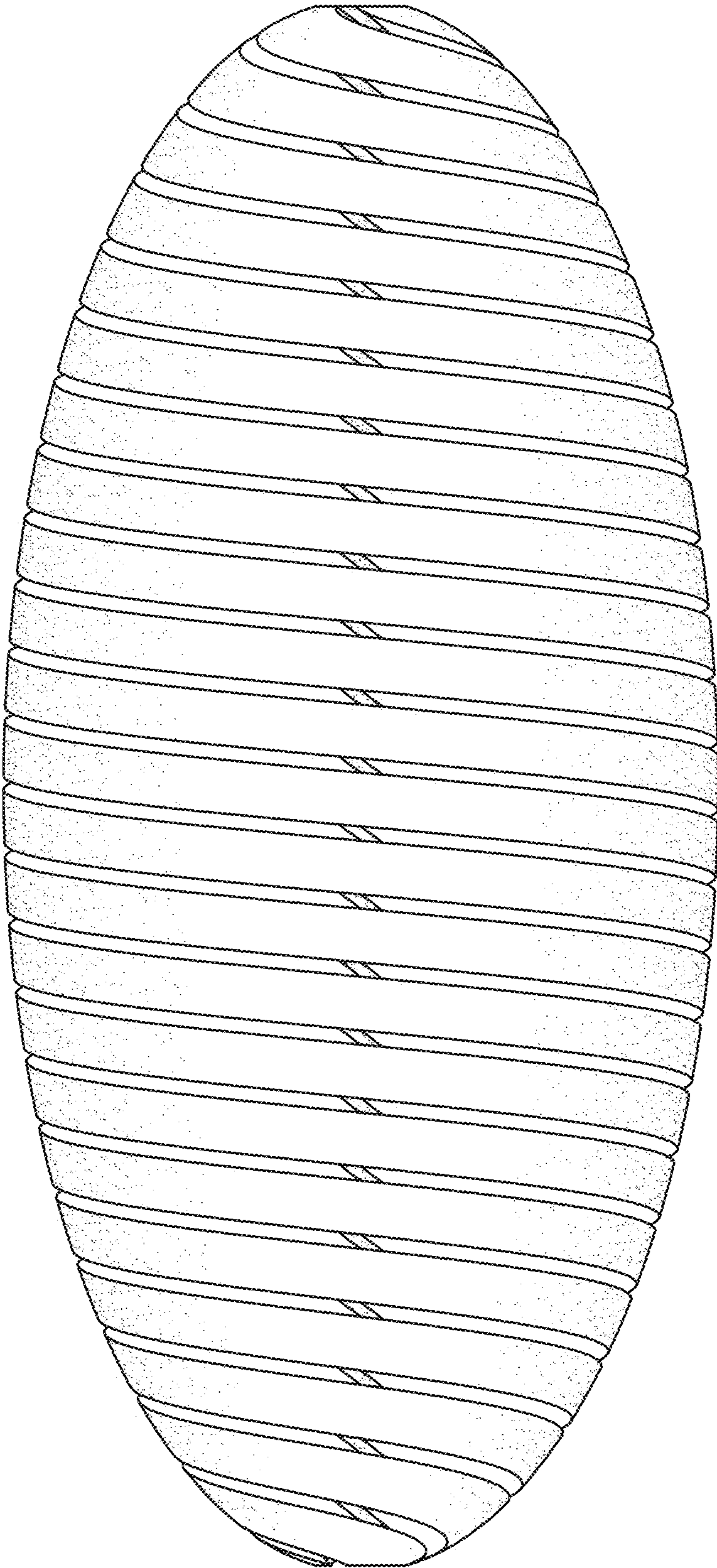


FIG. 3

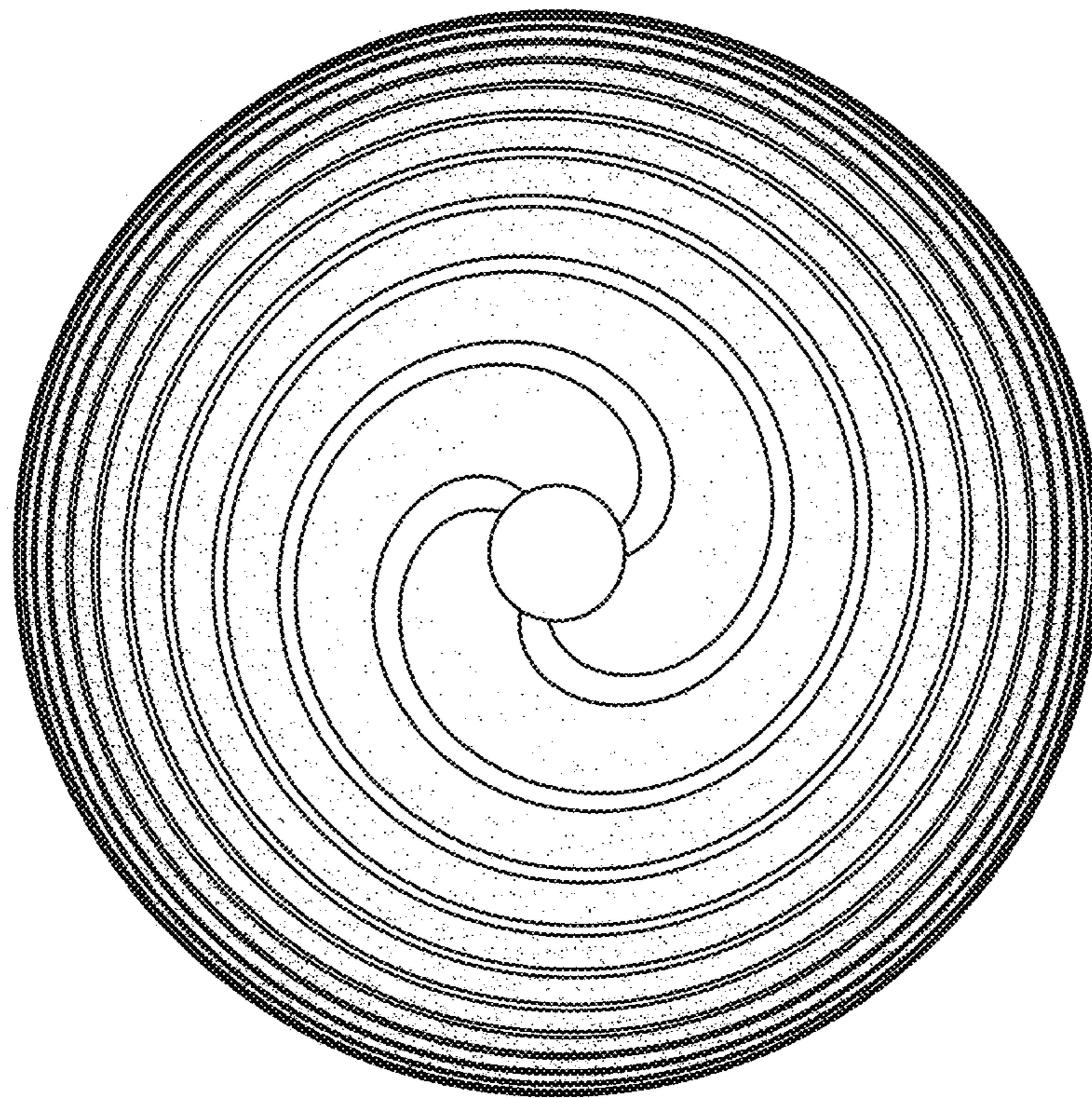


FIG. 4

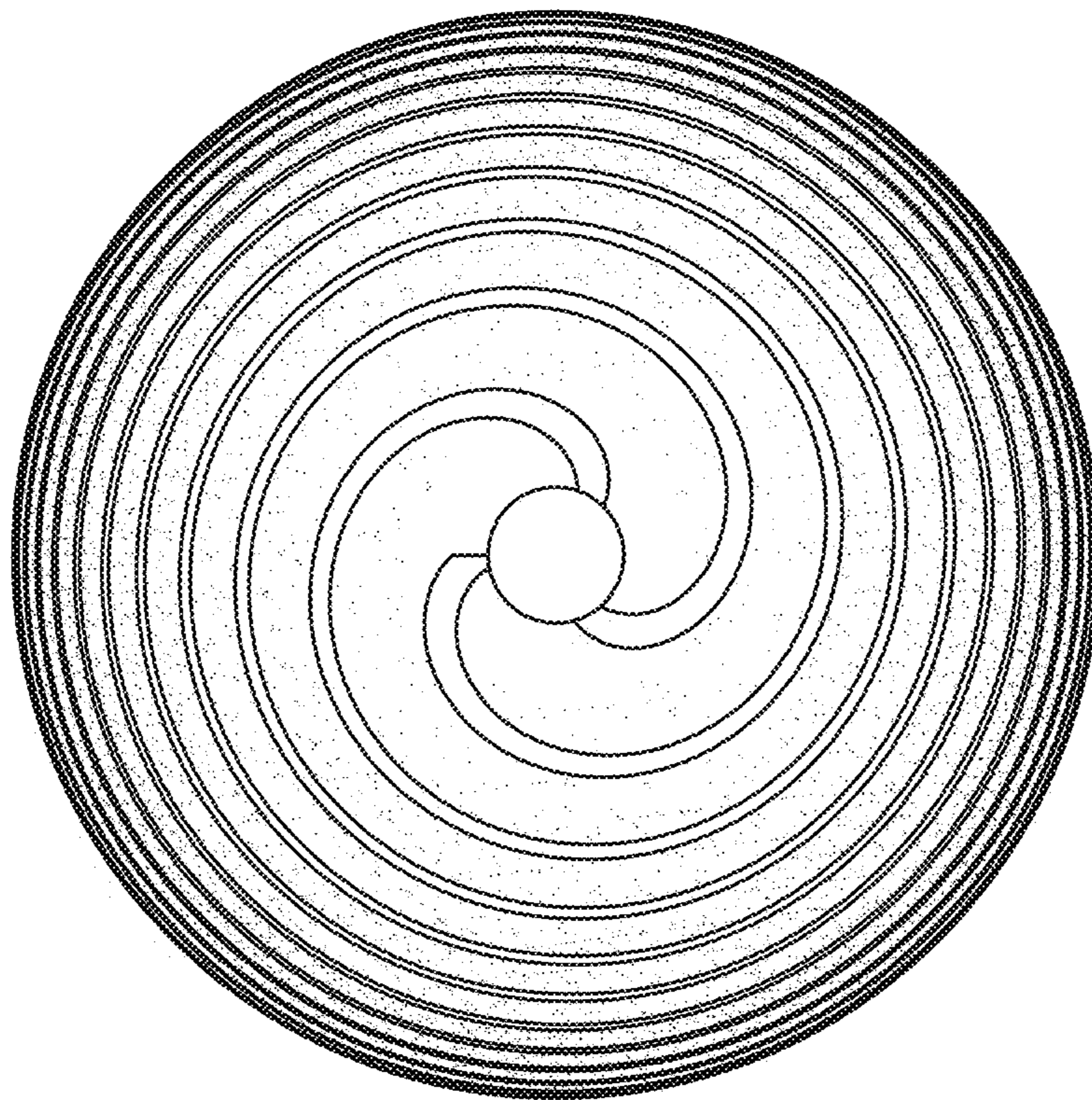


FIG. 5

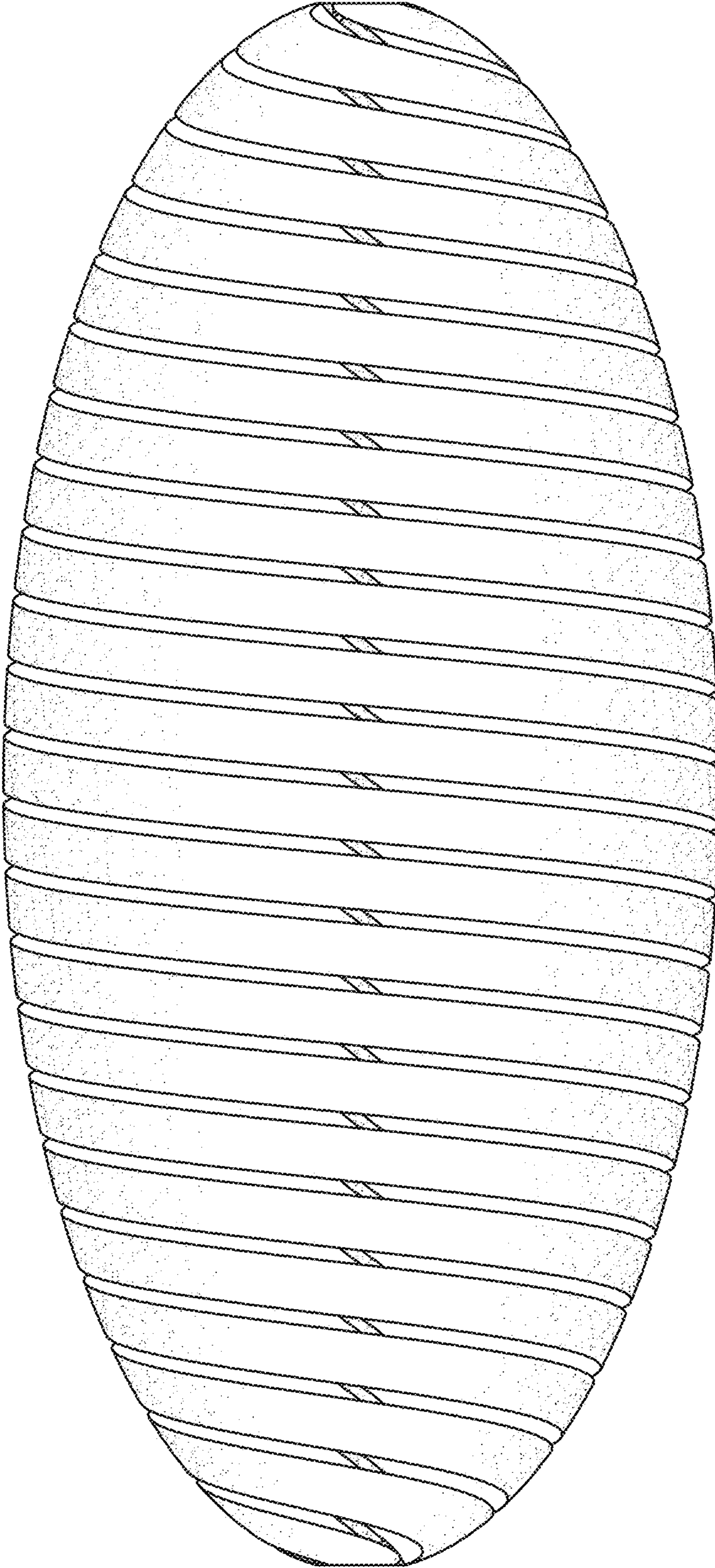


FIG. 6

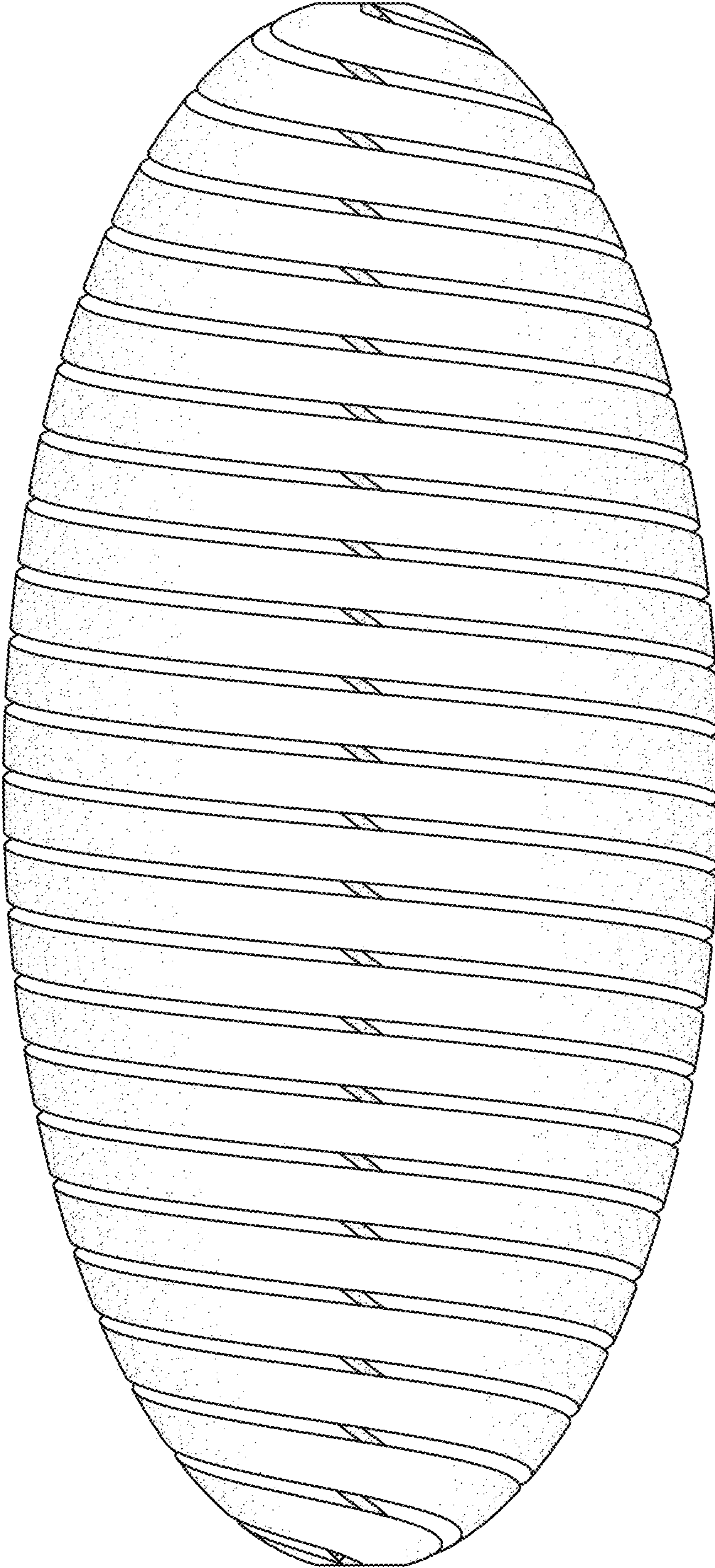


FIG. 7

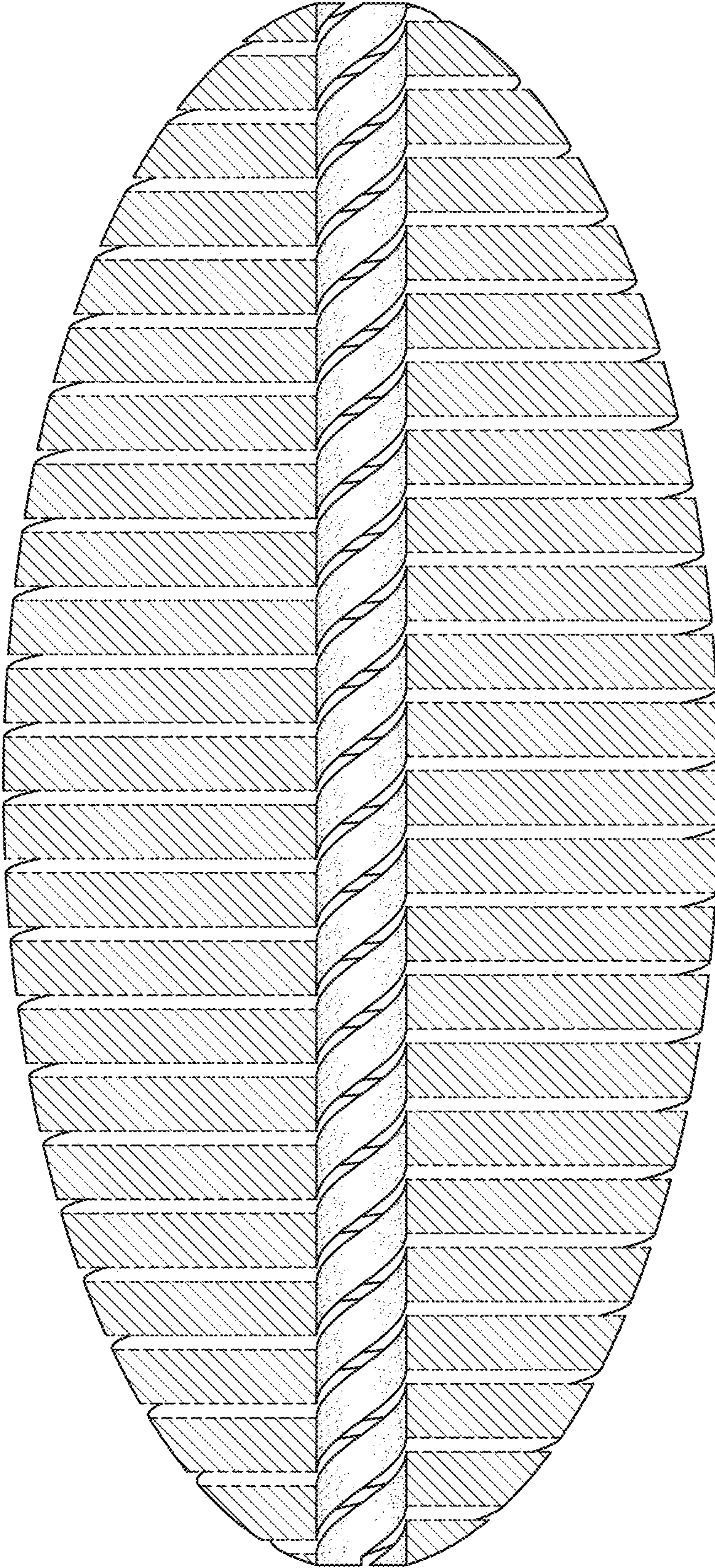


FIG. 8

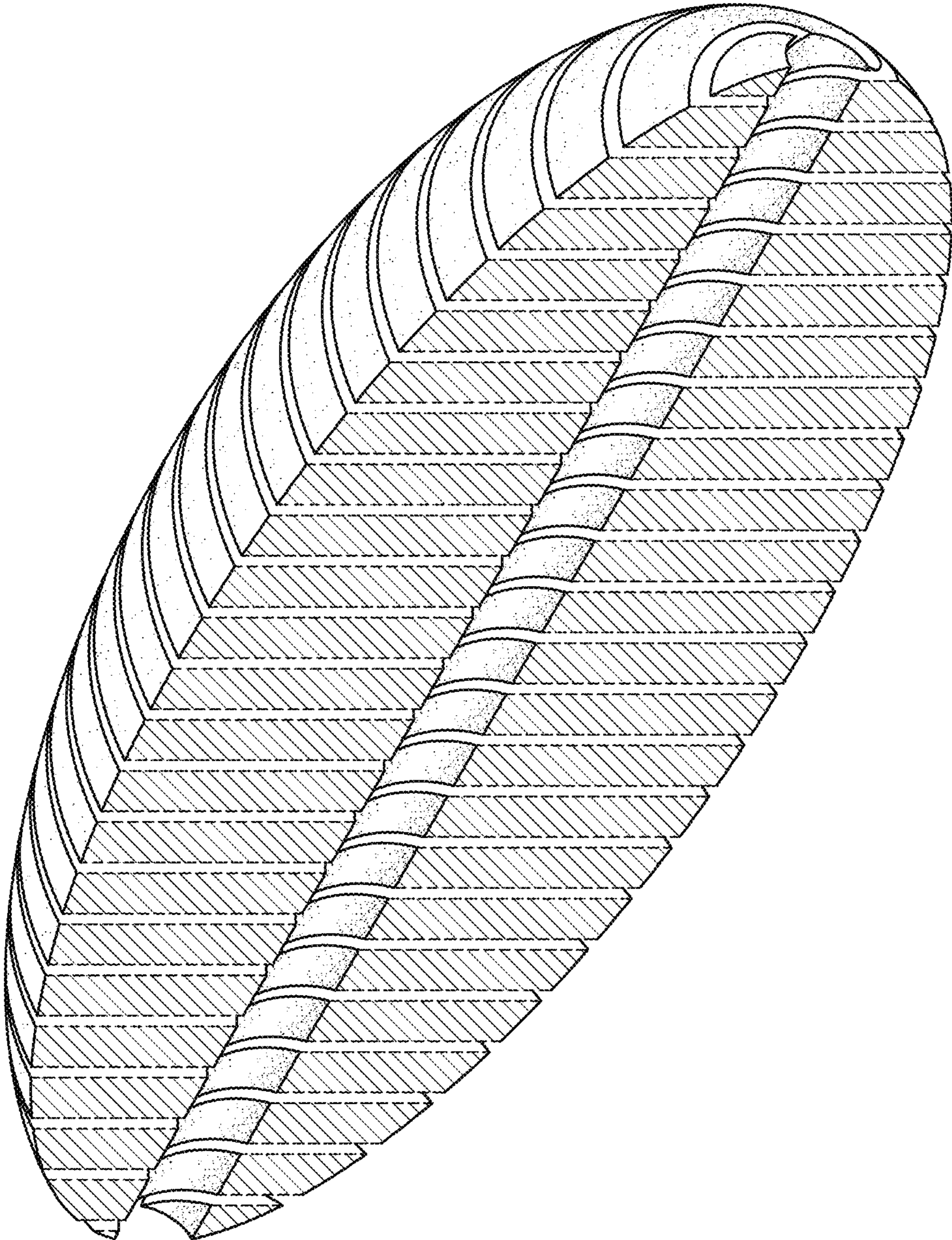


FIG. 9

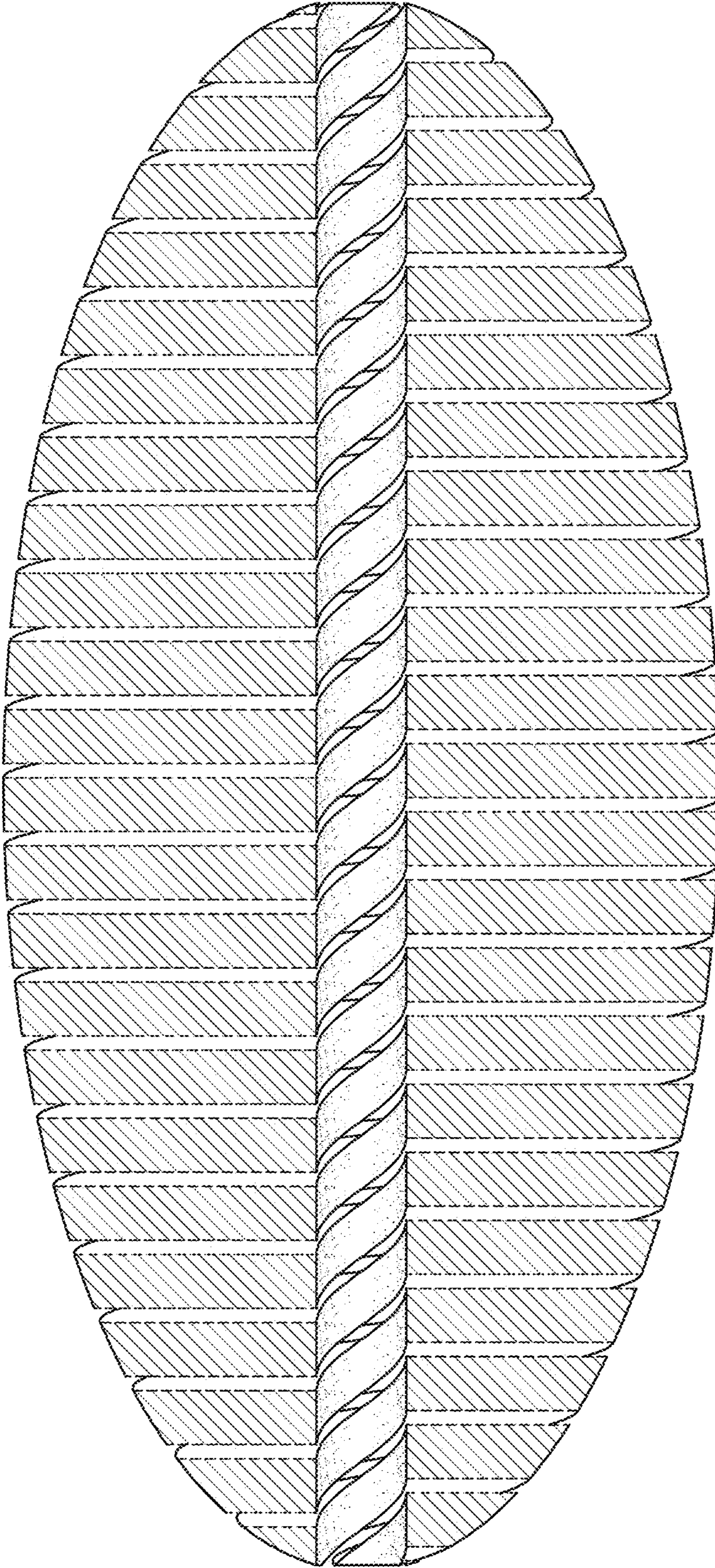


FIG. 10

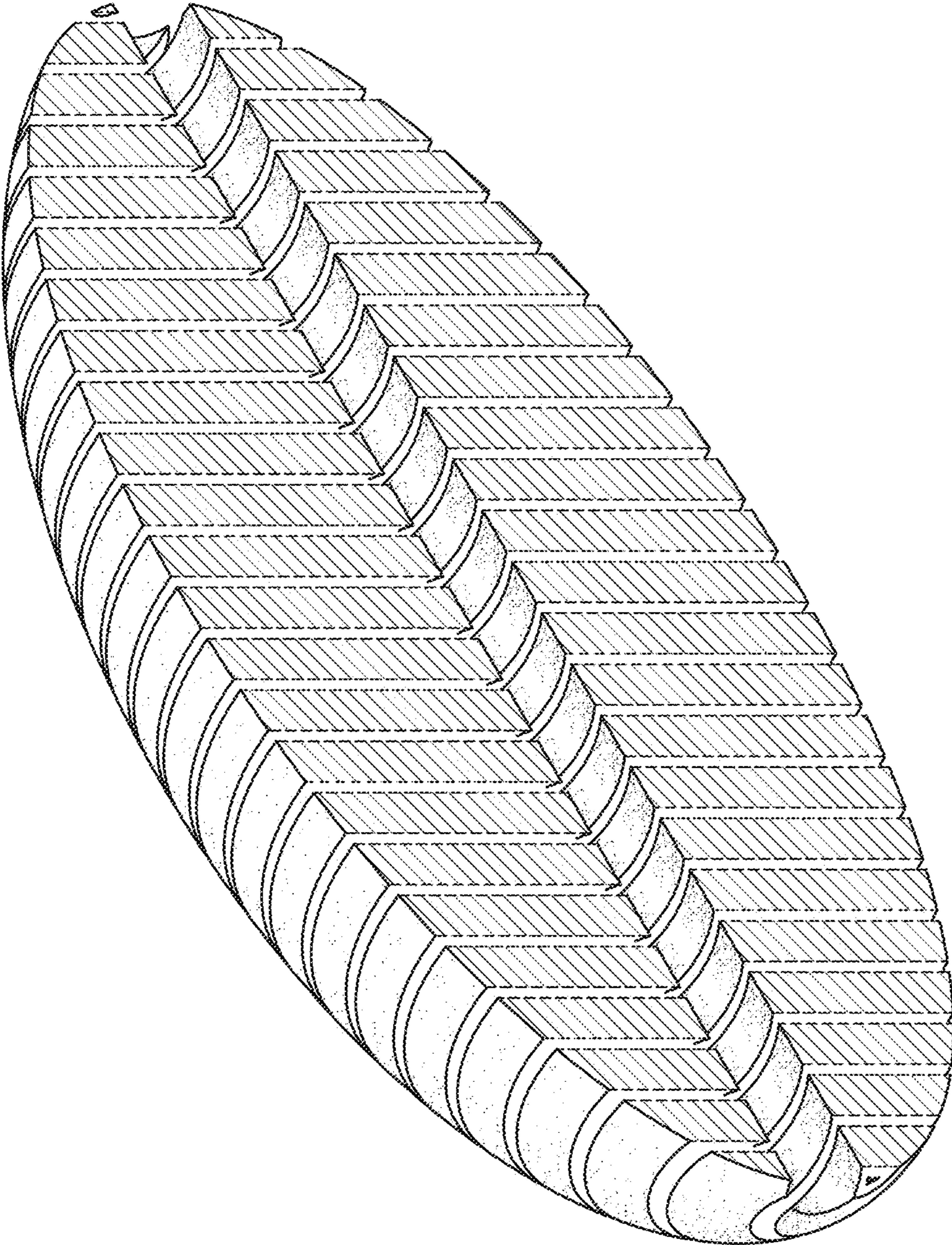


FIG. 11

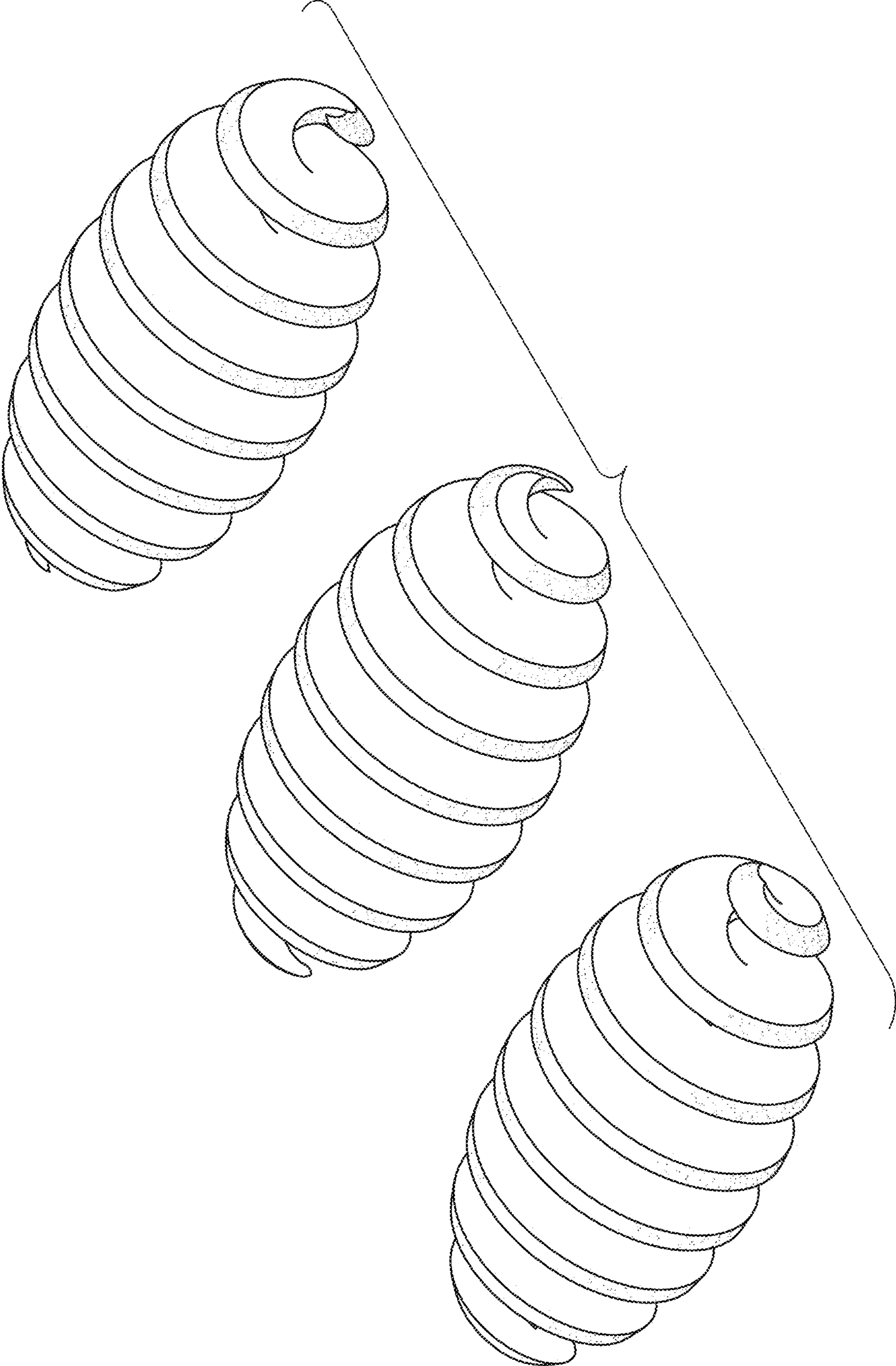


FIG. 12