



US00D901124S

(12) **United States Design Patent** (10) **Patent No.:** **US D901,124 S**
Gómez Caudillo et al. (45) **Date of Patent:** **** Nov. 3, 2020**

(54) **PALLETIZING FRAME**
(71) Applicant: **Plásticos Técnicos Mexicanos, S.A. DE C.V.**, San Juan del Rio, Querétaro (MX)
(72) Inventors: **Alejandro Gómez Caudillo**, Queretaro (MX); **Juan Pedro Baca Sánchez**, Queretaro (MX); **José Ricardo Peña Zapata**, Queretaro (MX)
(73) Assignee: **Plásticos Técnicos Mexicanos, S.A. De C.V.**, San Juan del Rio (MX)

(**) Term: **15 Years**

(21) Appl. No.: **29/655,858**

(22) Filed: **Jul. 9, 2018**

(51) **LOC (12) Cl.** **09-08**

(52) **U.S. Cl.**
USPC **D34/38**

(58) **Field of Classification Search**
USPC D34/38
CPC B65D 2519/00034; B65D 2519/00069;
B65D 2519/00208; B65D 19/0002; B65D
19/0018; B65D 19/38; B65D 19/42; B60P
3/055
See application file for complete search history.

(56) **References Cited**

U.S. PATENT DOCUMENTS

D168,325 S *	12/1952	Abrams	D6/300
3,684,632 A *	8/1972	De Jesus Pedraza	B65D 19/0002
				428/55
D417,327 S *	11/1999	Craig	D34/28
D459,049 S *	6/2002	Apps	D34/38
D480,221 S *	10/2003	Luciano	D6/300
D487,272 S *	3/2004	Korpai	D14/448
D489,860 S *	5/2004	Apps	D34/38

D494,337 S *	8/2004	Carpenter	D34/38
D550,925 S *	9/2007	Boaler	D34/38
D556,424 S *	11/2007	Weise	D34/38
D556,425 S *	11/2007	Weise	D34/38
D572,676 S *	7/2008	Niitsu	D14/126
D684,379 S *	6/2013	Sim	D6/300
D728,188 S *	4/2015	Fellers	D34/38
D738,063 S *	9/2015	Angel	D34/28
D760,990 S *	7/2016	Baker	D34/38
9,522,760 B2 *	12/2016	Frankenberg	B62B 5/0093
D788,501 S *	6/2017	Clark	D6/675
D796,873 S *	9/2017	Clark	D6/675
D854,343 S *	7/2019	Altemimei	D6/300

(Continued)

Primary Examiner — Cynthia Ramirez

(74) *Attorney, Agent, or Firm* — Harness, Dickey & Pierce, PLC

(57) **CLAIM**

The ornamental design for a palletizing frame, as shown and described.

DESCRIPTION

FIG. 1 is a perspective view of the palletizing frame of the present application.

FIG. 2 is a top view of the palletizing frame, the bottom view being a mirror image thereof.

FIG. 3 is an enlarged view of the detail “3” shown in the FIG. 2 of the palletizing frame.

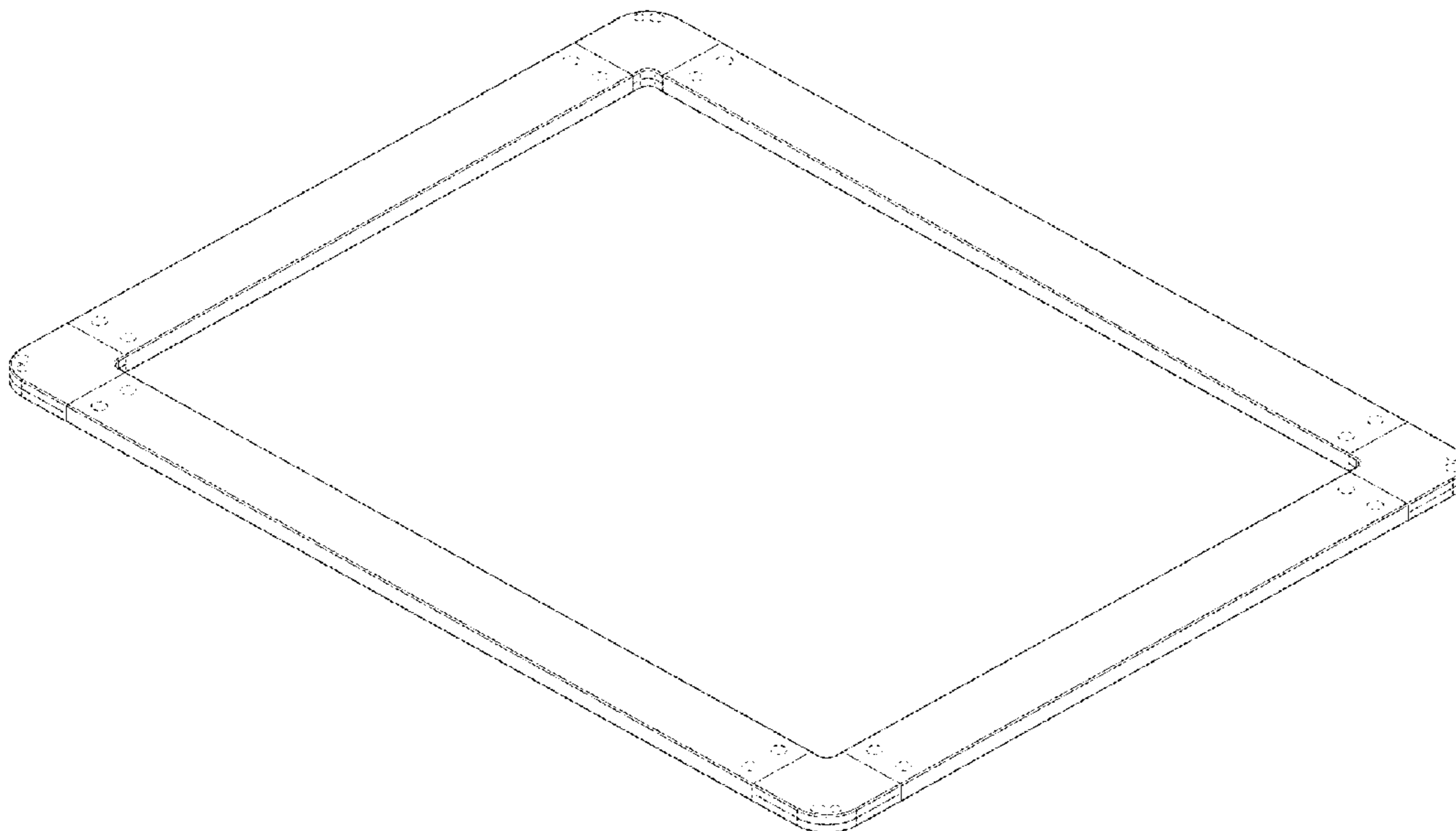
FIG. 4 is a front view of the palletizing frame, the rear view being a mirror image thereof.

FIG. 5 is a right side view of the palletizing frame, the left side view being a mirror image thereof; and,

FIG. 6 is a perspective view showing a possible application of the palletizing frame.

The features show in broken lines are to show portions of the palletizing frame, which form no part of the claimed design. The additional broken lines shown in FIG. 6 are to show environment, and form no part of the claimed design.

1 Claim, 5 Drawing Sheets



(56)

References Cited

U.S. PATENT DOCUMENTS

2004/0118739 A1* 6/2004 Koefeldt B29C 66/54
206/527
2014/0231429 A1* 8/2014 Frankenberg B65D 19/38
220/200
2019/0359378 A1* 11/2019 White B65D 19/0073

* cited by examiner

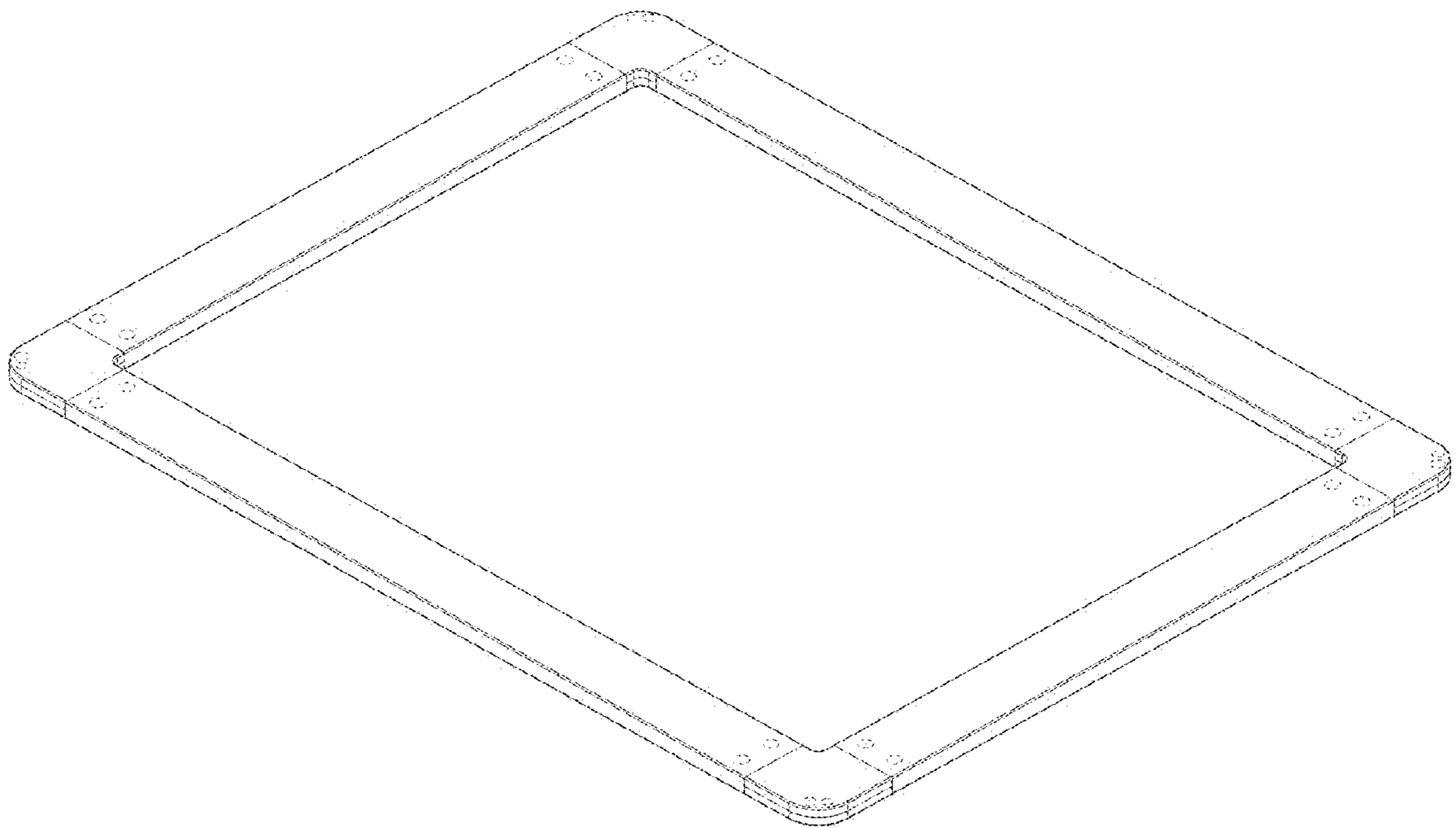


FIG. 1

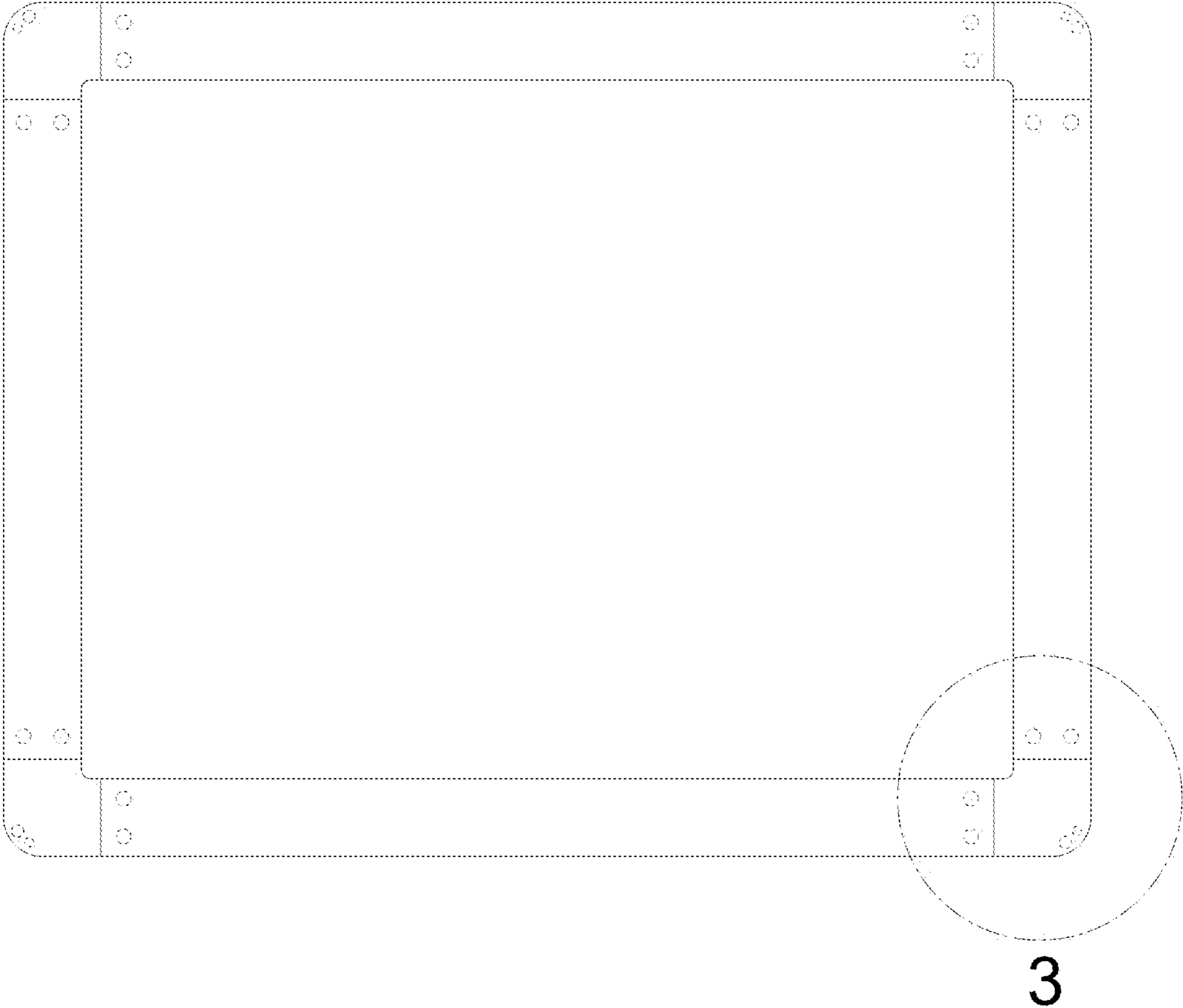


FIG. 2

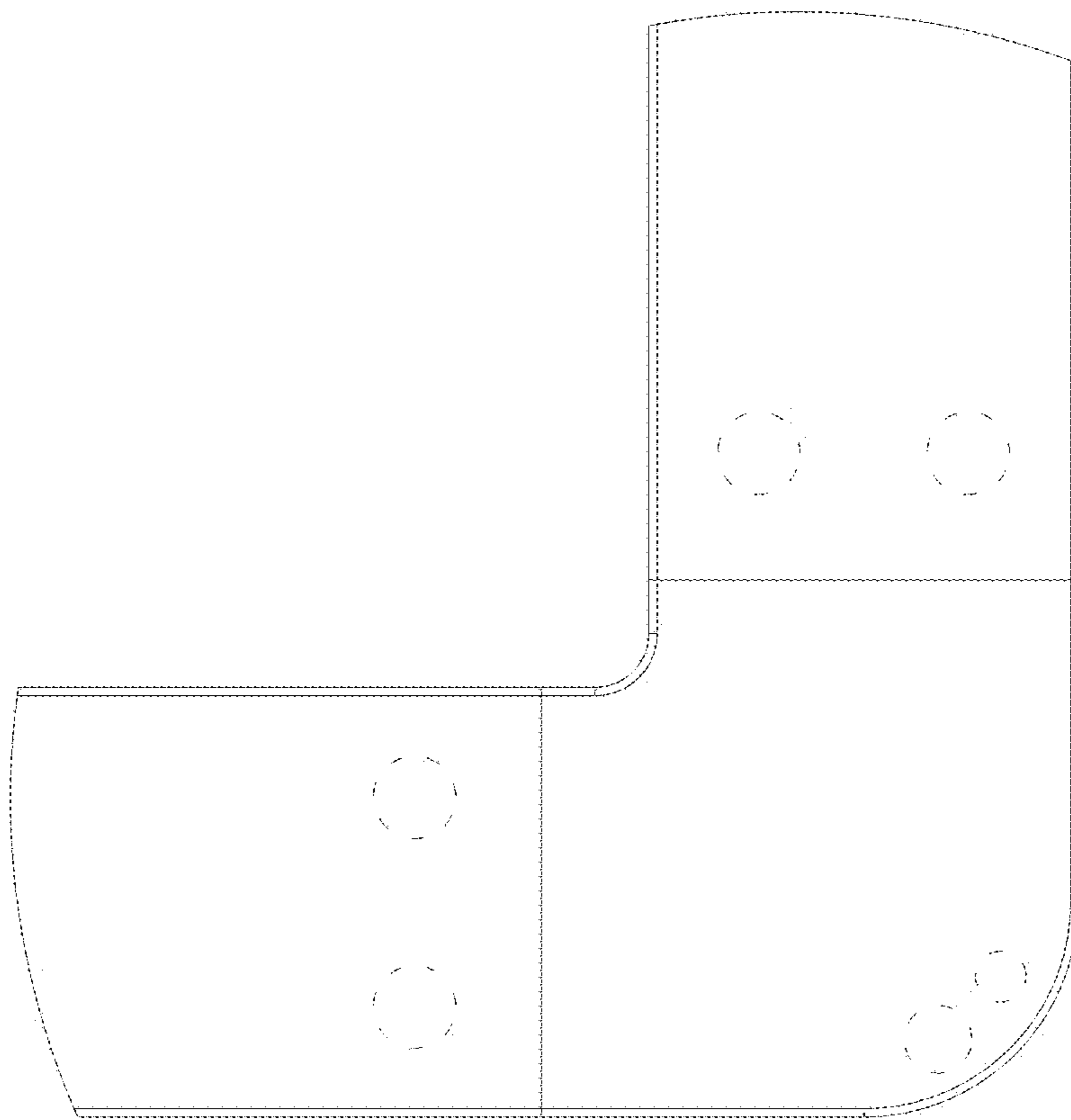


FIG. 3

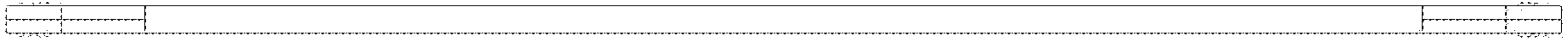


FIG. 4

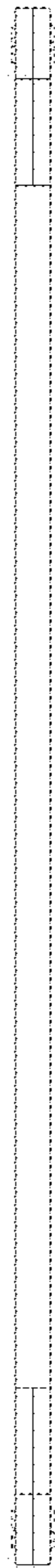


FIG. 5

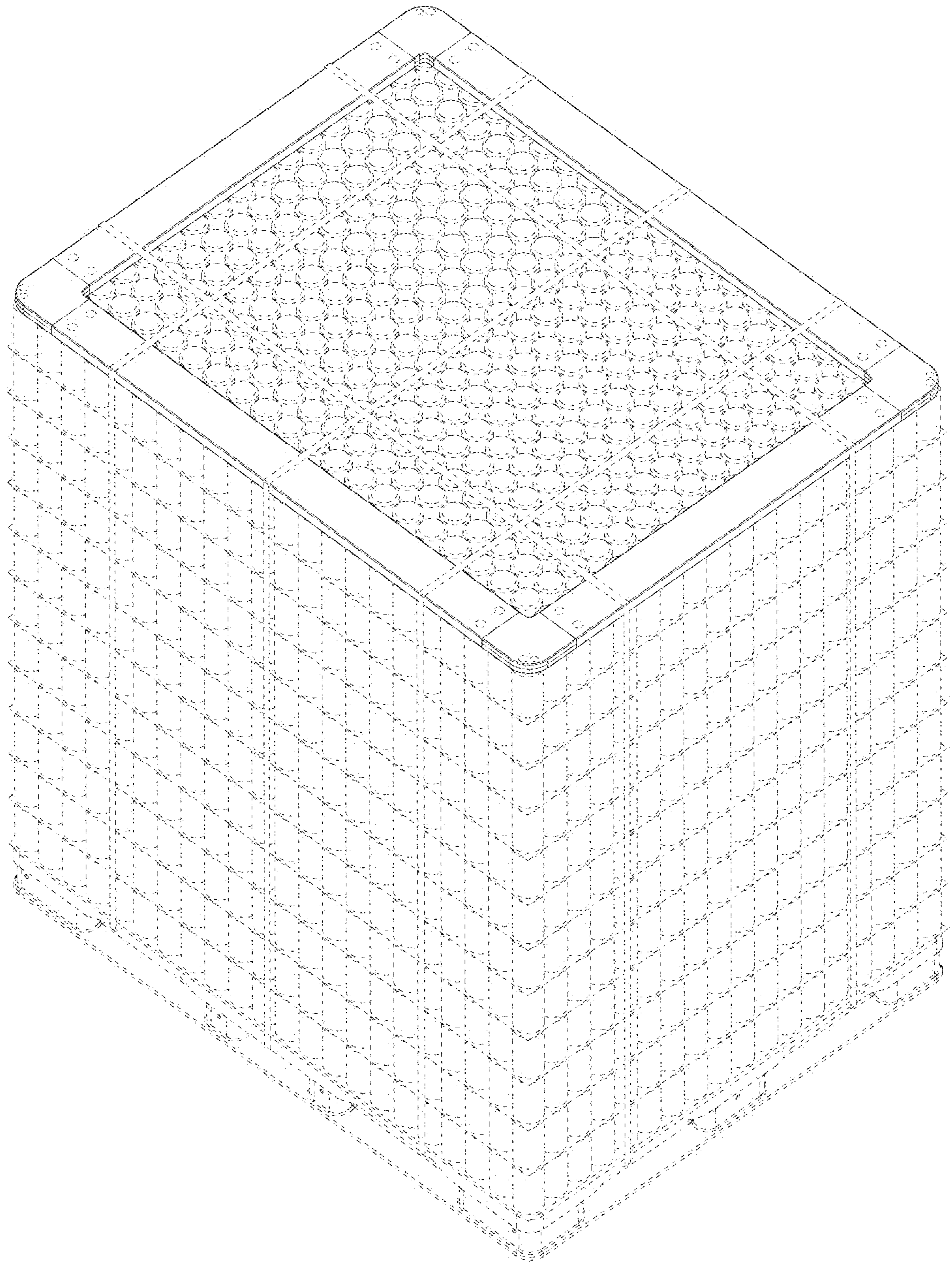


FIG. 6