



US00D901123S

(12) **United States Design Patent**
Liu et al.

(10) **Patent No.:** **US D901,123 S**
(45) **Date of Patent:** **** Nov. 3, 2020**

(54) **CART**

(71) Applicant: **GUANGDONG WIREKING
COMMERCIAL CO., LTD.**, Foshan
(CN)

(72) Inventors: **Minyu Liu**, Foshan (CN); **Xiaochun
Li**, Foshan (CN)

(73) Assignee: **GUANGDONG WIREKING
COMMERCIAL CO., LTD.**, Foshan
(CN)

(**) Term: **15 Years**

(21) Appl. No.: **29/694,257**

(22) Filed: **Jun. 10, 2019**

(30) **Foreign Application Priority Data**

Jan. 4, 2019 (CN) 2019 3 0004184

(51) **LOC (12) Cl.** **12-02**

(52) **U.S. Cl.**
USPC **D34/21**

(58) **Field of Classification Search**
USPC D6/653, 653.1, 675.1; D34/12-27
CPC A61G 12/001; B25H 3/06; B25H 3/021;
B25H 3/028; B62B 3/00; B62B 3/002;
B62B 3/005

See application file for complete search history.

(56) **References Cited**

U.S. PATENT DOCUMENTS

D436,239 S * 1/2001 Walsh D34/17
D734,914 S * 7/2015 Tsai D34/21
D752,906 S * 4/2016 Gunderson D6/675.1
D756,584 S * 5/2016 Dunford D34/12
D757,387 S * 5/2016 Cao D34/21
D831,390 S * 10/2018 Li D6/675.1
D846,824 S * 4/2019 Cao D34/21

D846,825 S * 4/2019 Cao D34/21
D850,753 S * 6/2019 Cao D34/21
D852,448 S * 6/2019 Hu D34/21
D852,449 S * 6/2019 Hu D34/21
D858,928 S * 9/2019 Cao D34/21

OTHER PUBLICATIONS

Iris'Home 3-Tier Metal Rolling Utility, Cart with Handles, Art Storage Cart, Makeup Cart with Wheels, Lash Cart, Organizing Cart, Bathroom Cart, Google search Amazon.com, obtained Jun. 2020, <https://www.amazon.com/> (Year: 2020).*
Lexington 3-Tier Rolling Cart by Recollections, google search, https://www.michaels.com/lexington-3tier-rolling-cart-by-recollections/10531334.html?productsource=ATRecCLP_T1_Storage, obtained Jun. 2020 (Year: 2020).*
TOOLF 3-Tier Metal Rolling Storage, Cart with Practical Tabletop, 3-Tier, Metal Serving Rolling Cart with Contral Handle, amazon.com, obtained Jun. 2020 (Year: 2020).*

* cited by examiner

Primary Examiner — Cynthia Ramirez

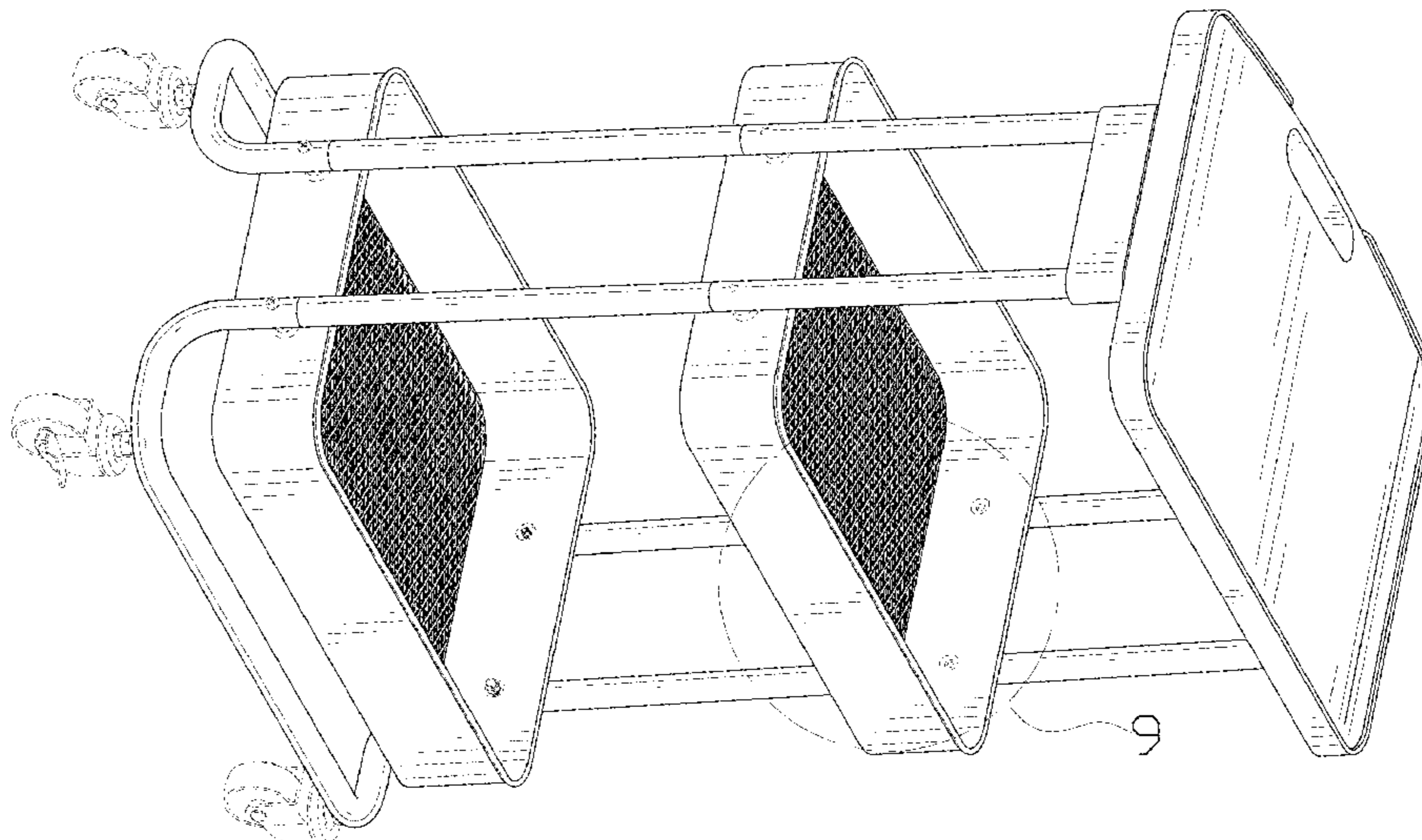
(57) **CLAIM**

The ornamental design for a cart, as shown and described.

DESCRIPTION

FIG. 1 is a perspective view of a cart showing my new design;
FIG. 2 is another perspective view thereof;
FIG. 3 is a front elevational view thereof;
FIG. 4 is a rear elevational view thereof;
FIG. 5 is a left side elevational view thereof;
FIG. 6 is a right side elevational view thereof;
FIG. 7 is a top plan view thereof;
FIG. 8 is a bottom plan view thereof; and,
FIG. 9 is an enlarged view of portion 9 shown in FIG. 1.
The broken lines in the drawings depict portions of the cart that form no part of the claimed design.

1 Claim, 9 Drawing Sheets



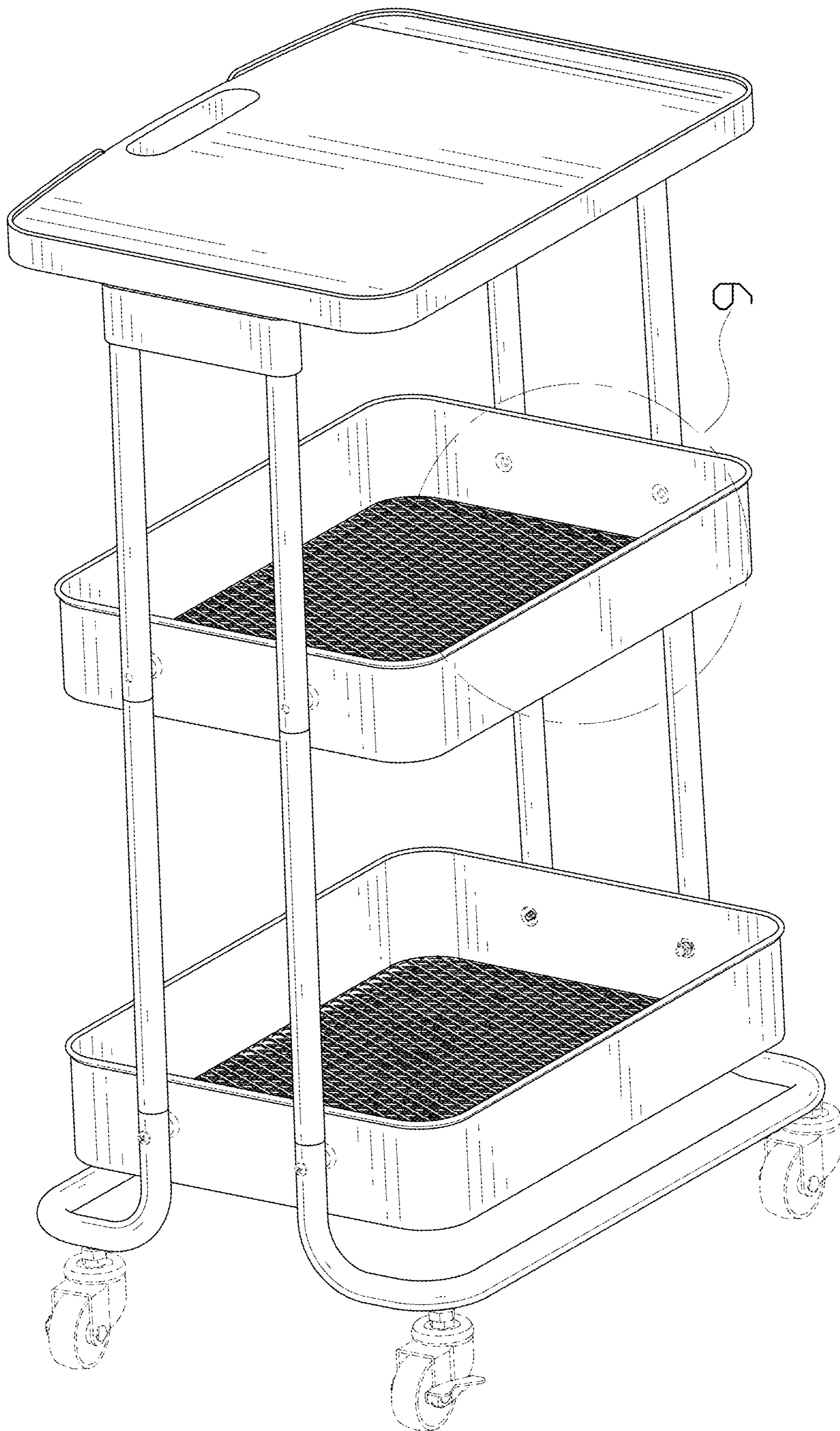


FIG. 1

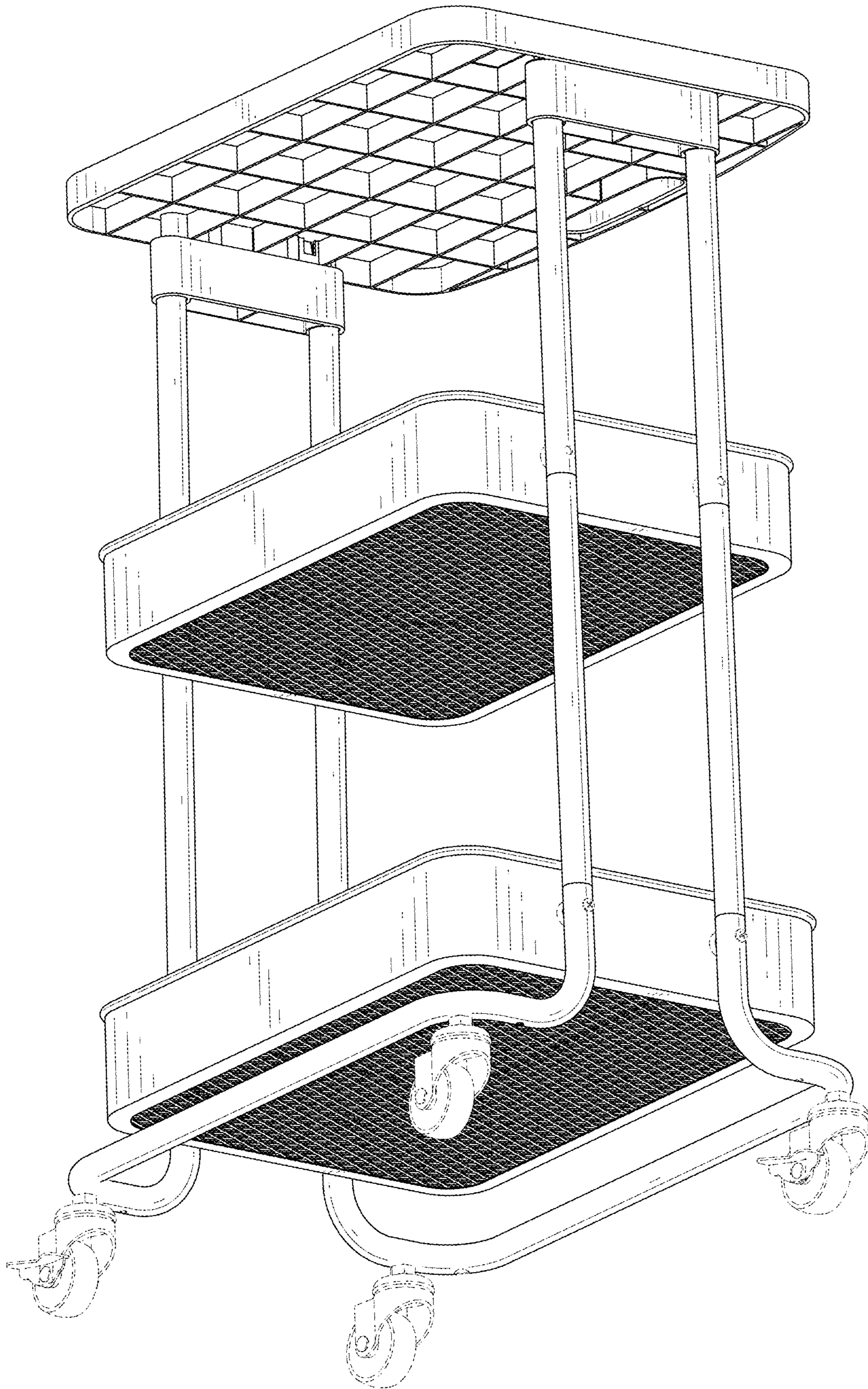


FIG. 2

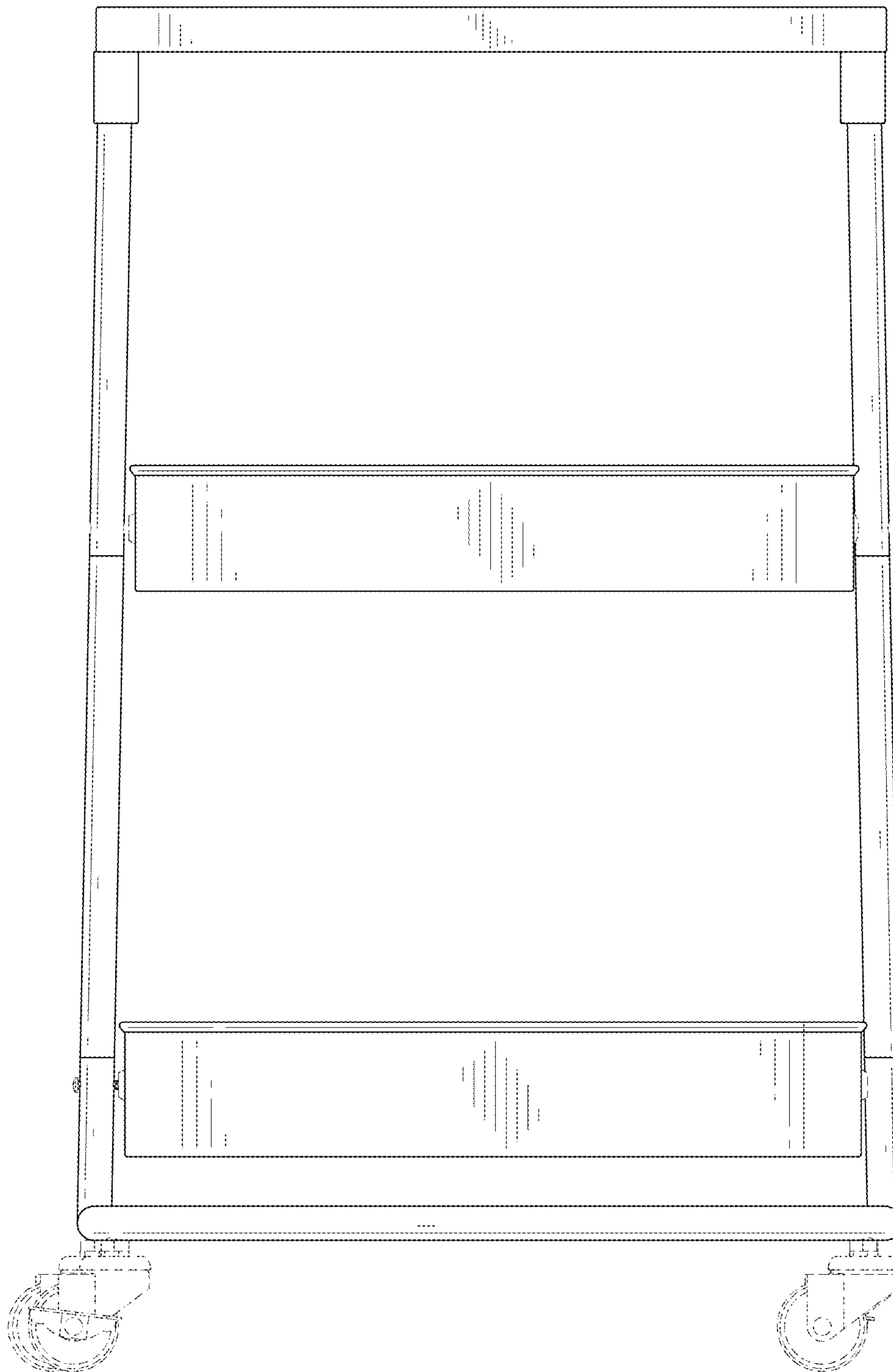


FIG. 3

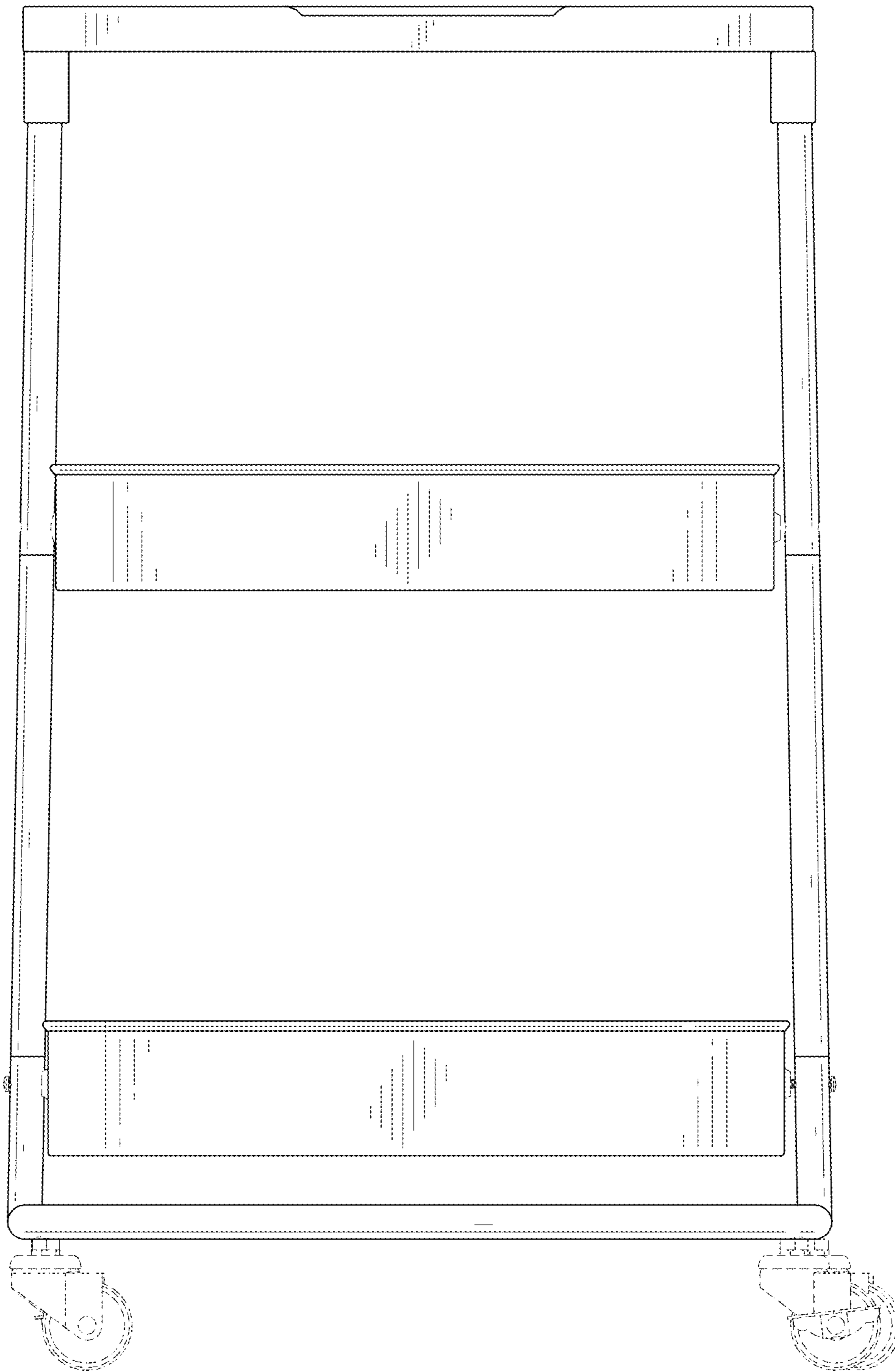


FIG. 4

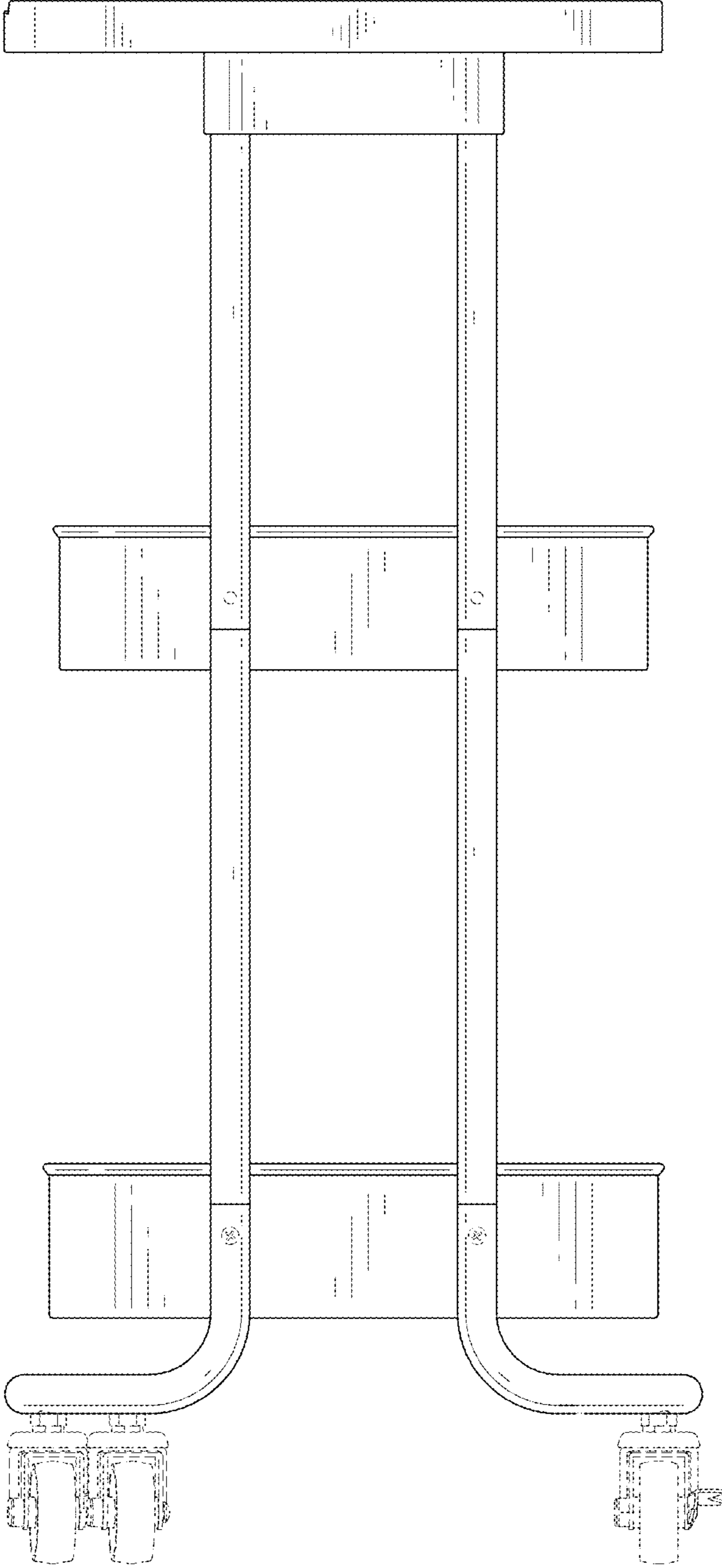


FIG. 5

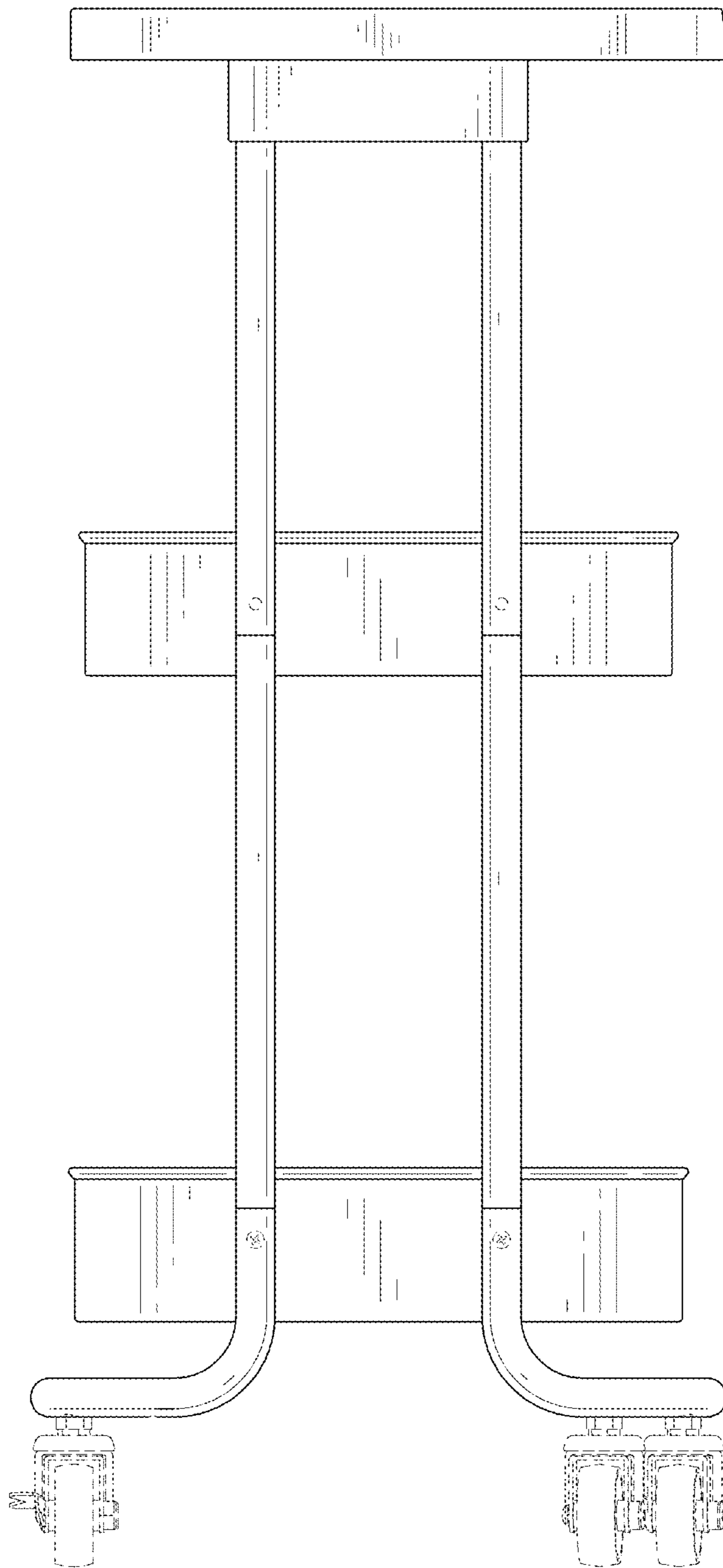


FIG. 6

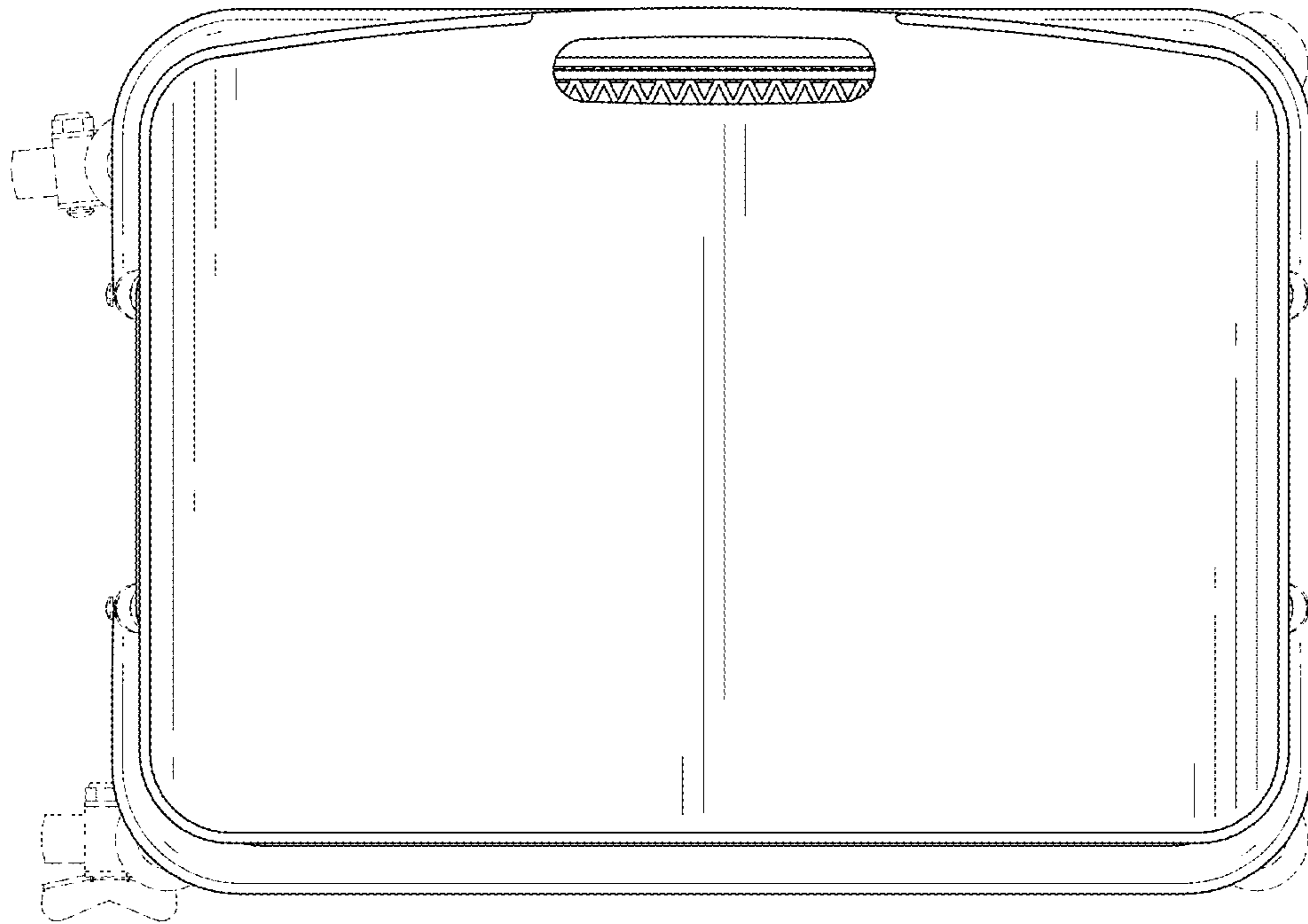


FIG. 7

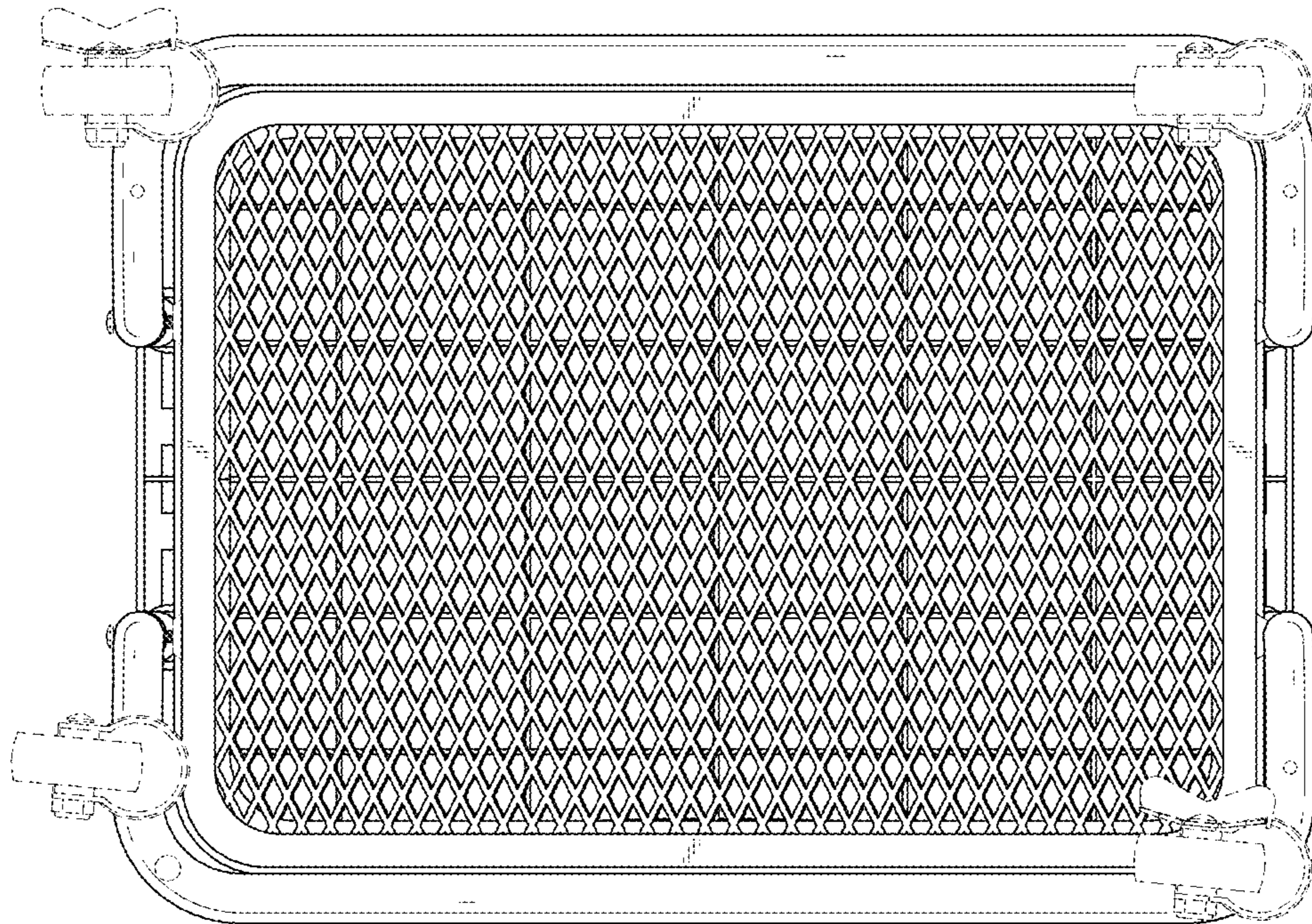


FIG. 8

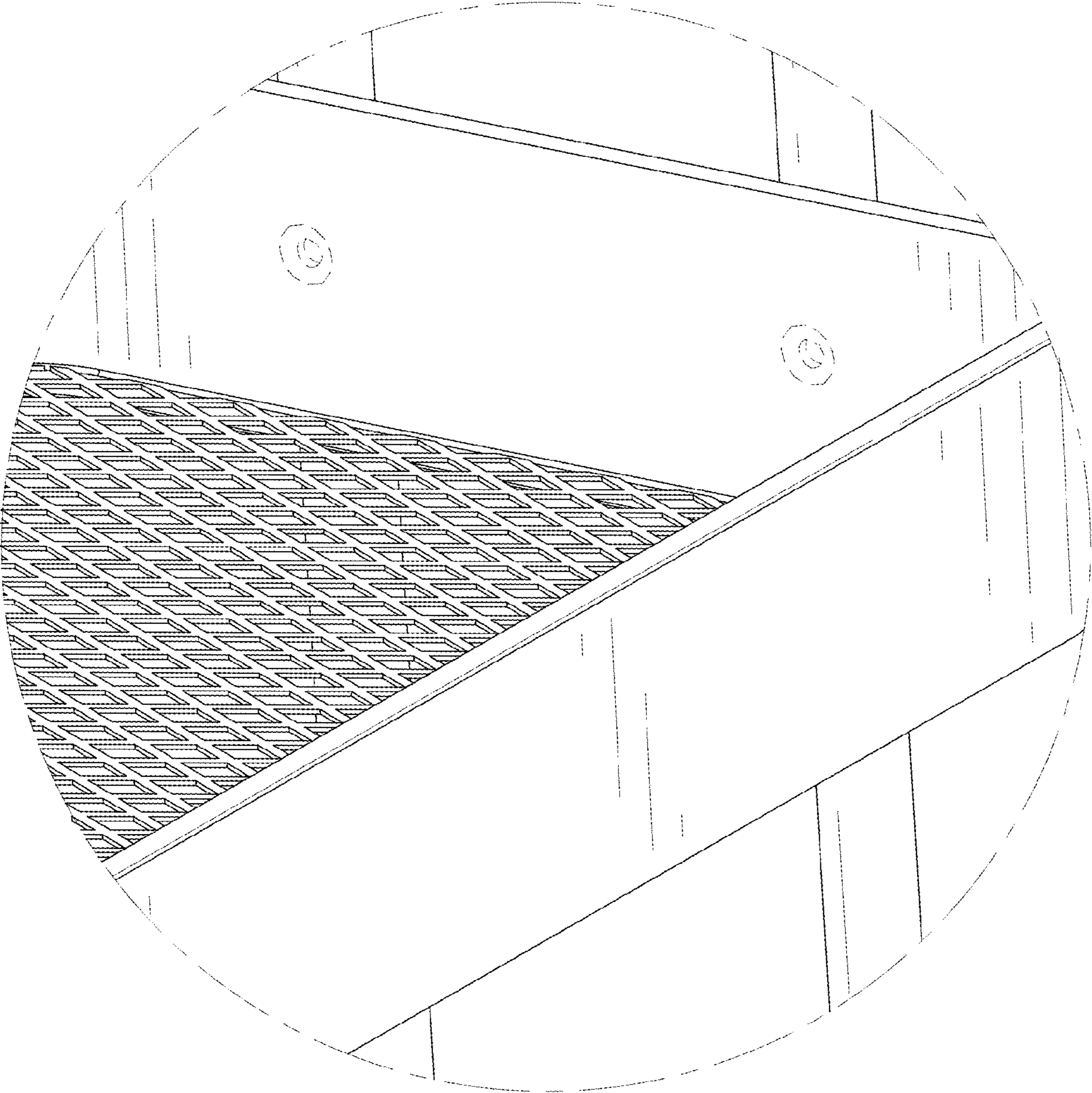


FIG. 9