



US00D901121S

(12) **United States Design Patent** (10) **Patent No.:** **US D901,121 S**
Li (45) **Date of Patent:** **** Nov. 3, 2020**

(54) **ELECTRIC CART**

(71) Applicant: **INTRADIN (HUZHOU) PRECISION TECHNOLOGY CO., LTD.**, Huzhou (CN)

(72) Inventor: **Junfeng Li**, Zhejiang (CN)

(73) Assignee: **INTRADIN (HUZHOU) PRECISION TECHNOLOGY CO., LTD.**, Huzhou (CN)

(**) Term: **15 Years**

(21) Appl. No.: **29/690,244**

(22) Filed: **May 7, 2019**

(51) **LOC (12) Cl.** **12-02**

(52) **U.S. Cl.**
USPC **D34/16**

(58) **Field of Classification Search**
USPC D34/12-27
CPC B62B 1/12; B62B 1/20; B62B 2206/02;
B62B 5/06; B62B 5/067
See application file for complete search history.

(56) **References Cited**

U.S. PATENT DOCUMENTS

D388,580 S *	12/1997	Havlovitz	D34/16
D527,157 S *	8/2006	Boon	D34/16
D544,173 S *	6/2007	Mullen	D34/16
D876,744 S *	2/2020	Wernberg	D34/16

D885,701 S *	5/2020	Draleau	D34/16
2007/0164526 A1 *	7/2007	Martini	B62B 1/24 280/47.26
2017/0072977 A1 *	3/2017	Hiestand	B62B 1/008

OTHER PUBLICATIONS

Google search Aug. 25, 2020, Snapper powered utility cart, <https://www.globalindustrial.com/p/outdoor-grounds-maintenance/garden-tools/garden-carts-and-wheelbarrows/briggs-and-stratton-1696858-self-propelled-utility-cart-powered-by-lithium-ion-battery?> (Year: 2020).*

* cited by examiner

Primary Examiner — Cynthia Ramirez
(74) *Attorney, Agent, or Firm* — Wayne & Ken, LLC;
Tony Ham

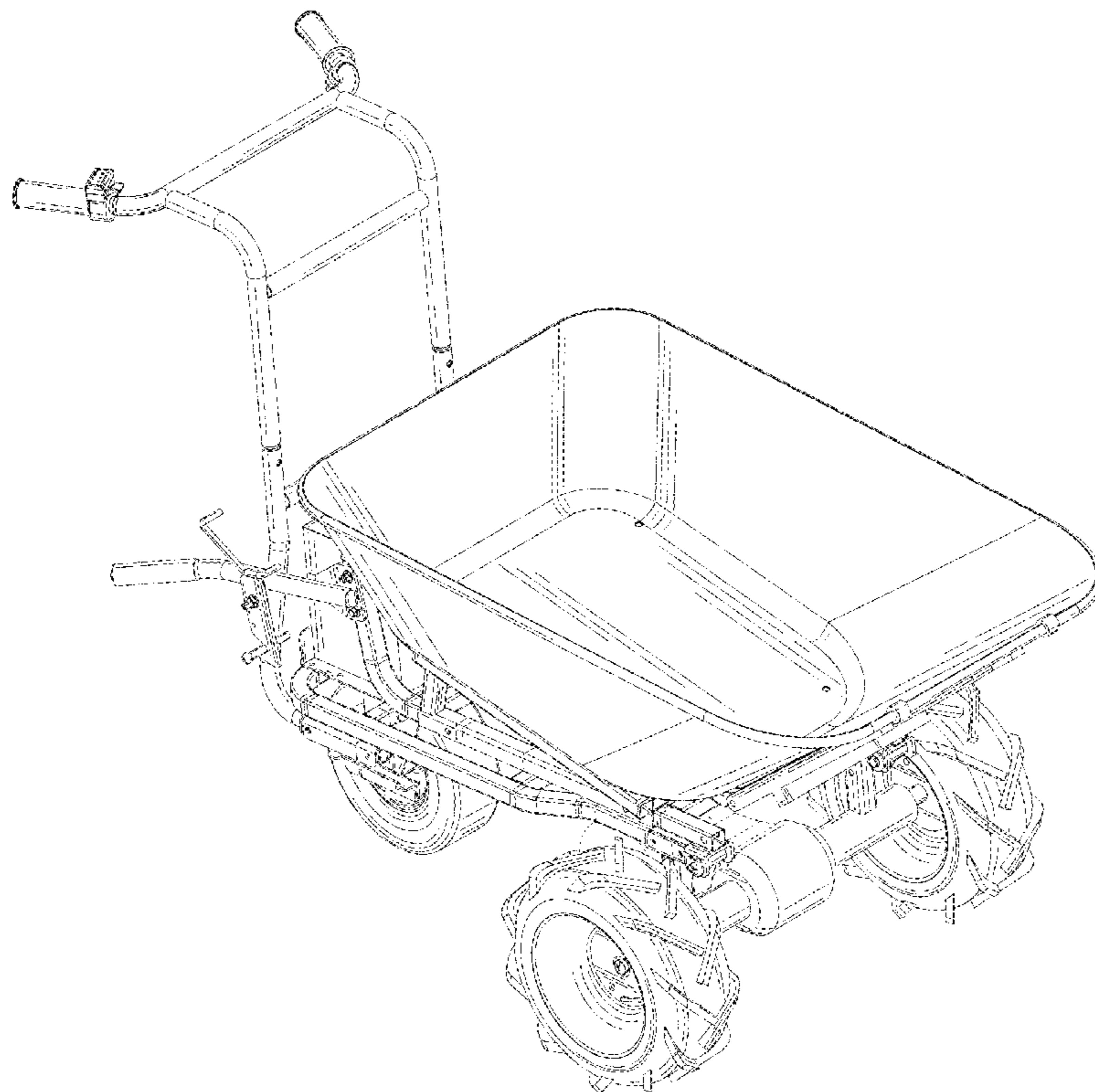
(57) **CLAIM**

The ornamental design for an electric cart, as shown and described.

DESCRIPTION

FIG. 1 is a perspective view of an electric cart showing my new design;
FIG. 2 is a front elevation view thereof;
FIG. 3 is a back elevation view thereof;
FIG. 4 is a left side view thereof;
FIG. 5 is a right side view thereof;
FIG. 6 is a top plan view thereof; and,
FIG. 7 is a bottom plan view thereof.
The broken lines in the drawings depict portions of the electric cart, which form no part of the claimed design.

1 Claim, 7 Drawing Sheets



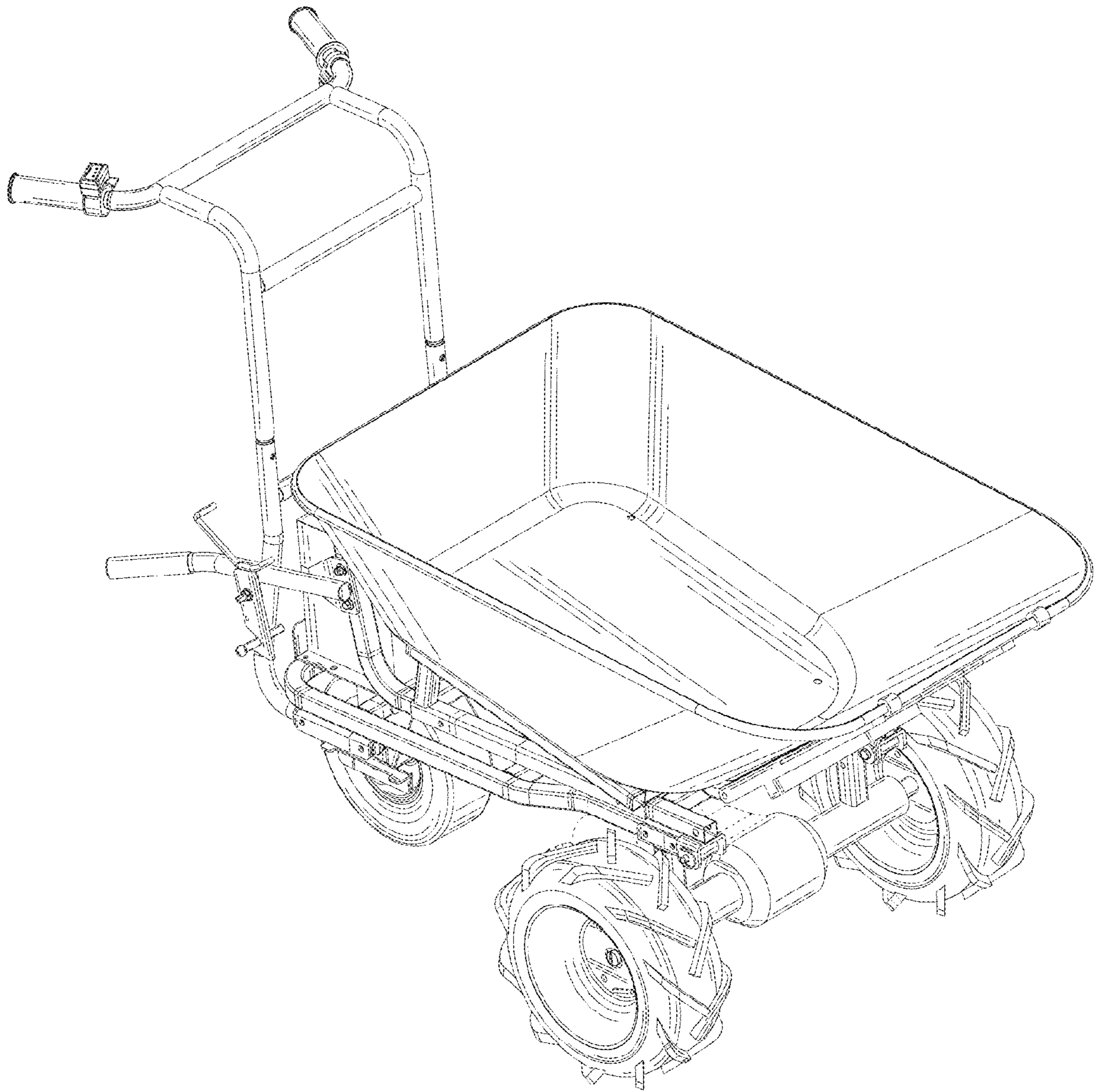


FIG. 1

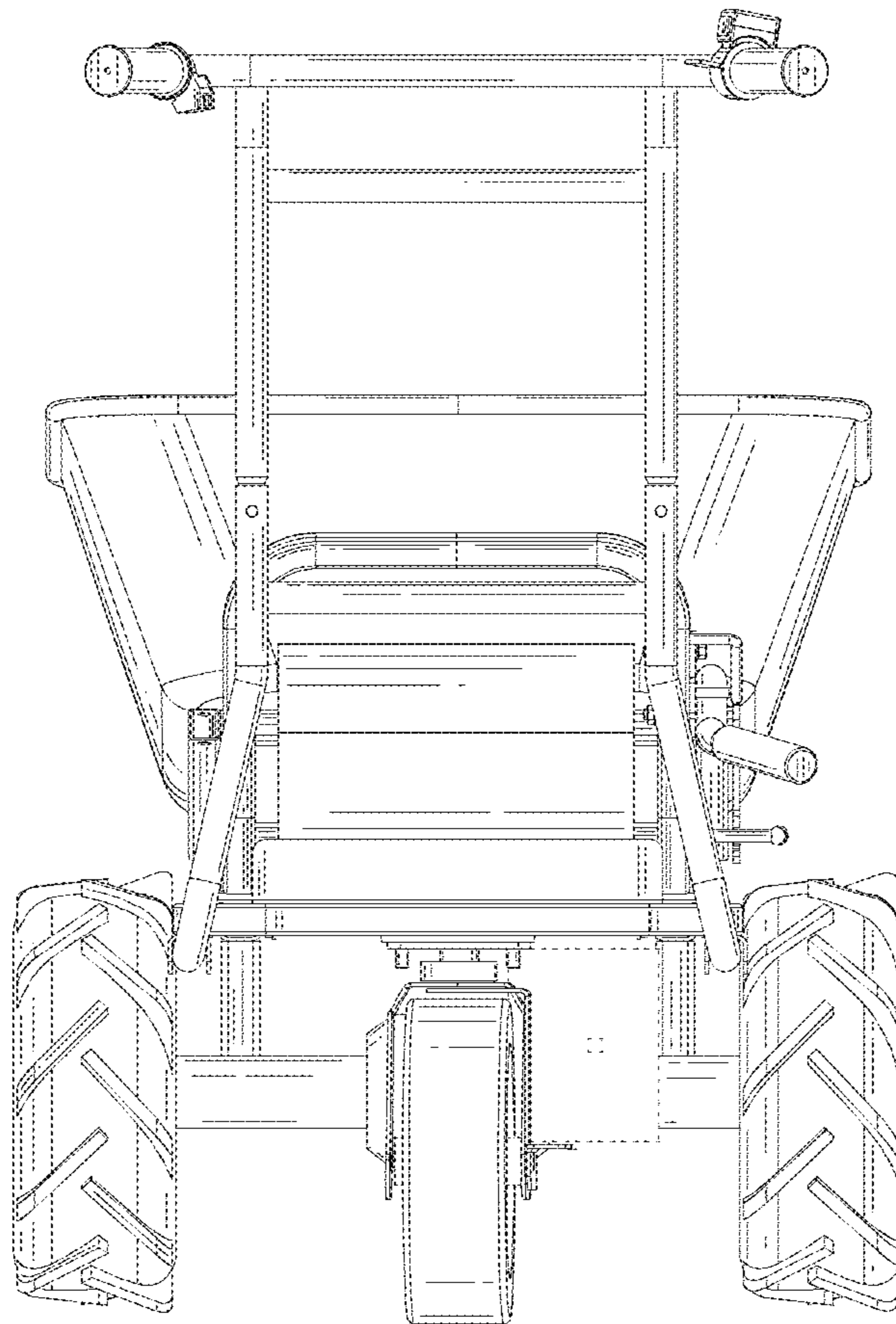


FIG. 2

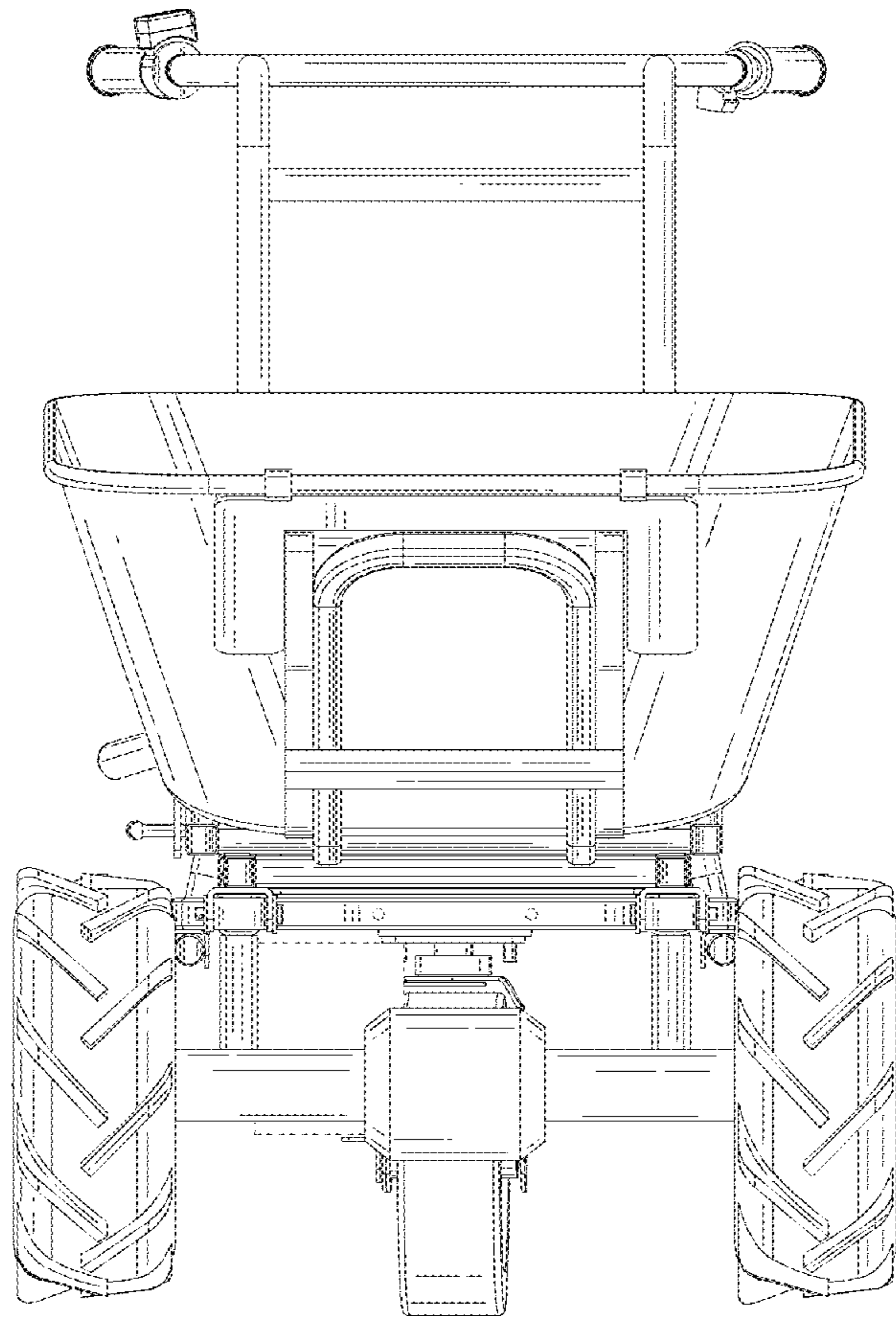


FIG. 3

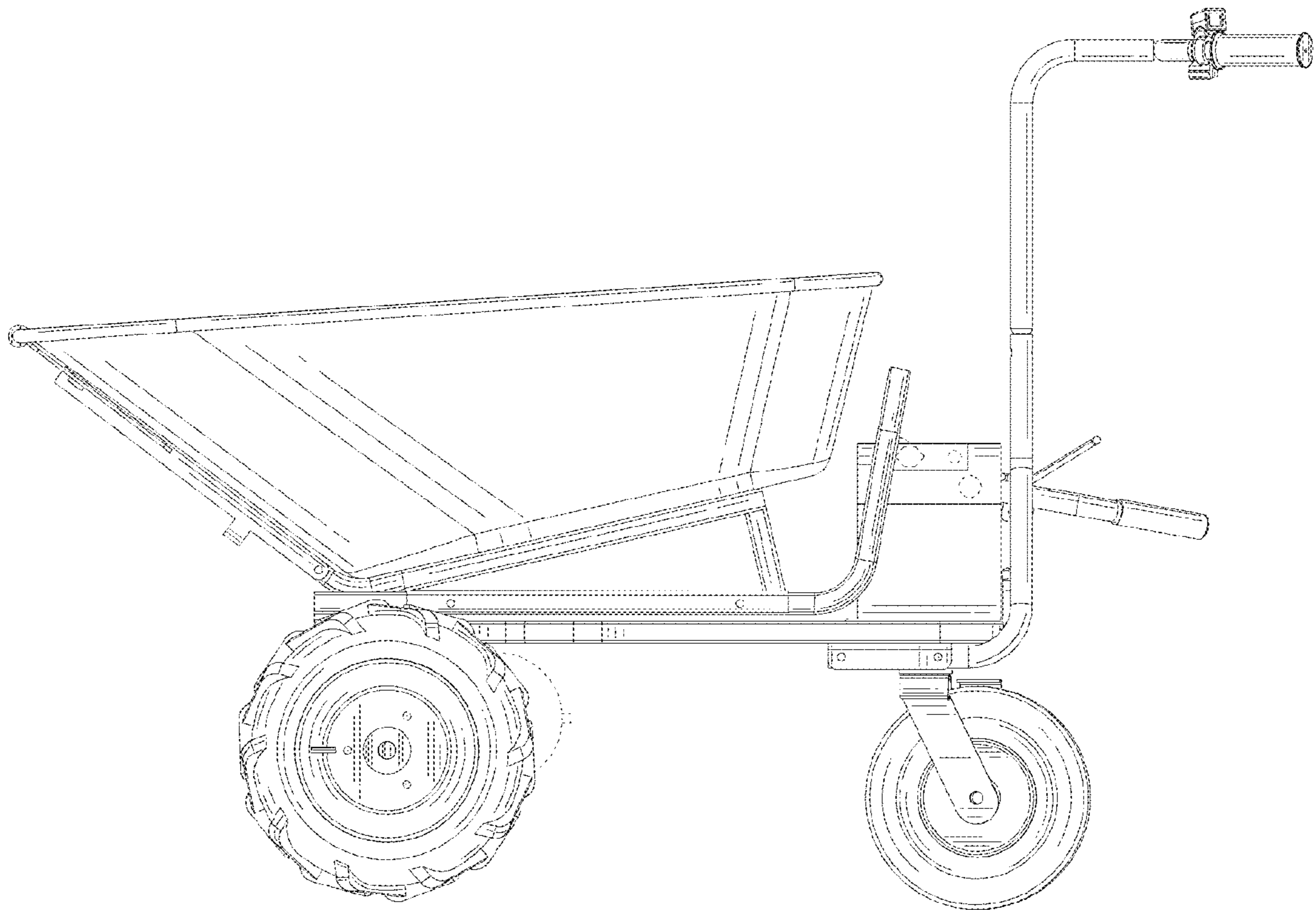


FIG. 4

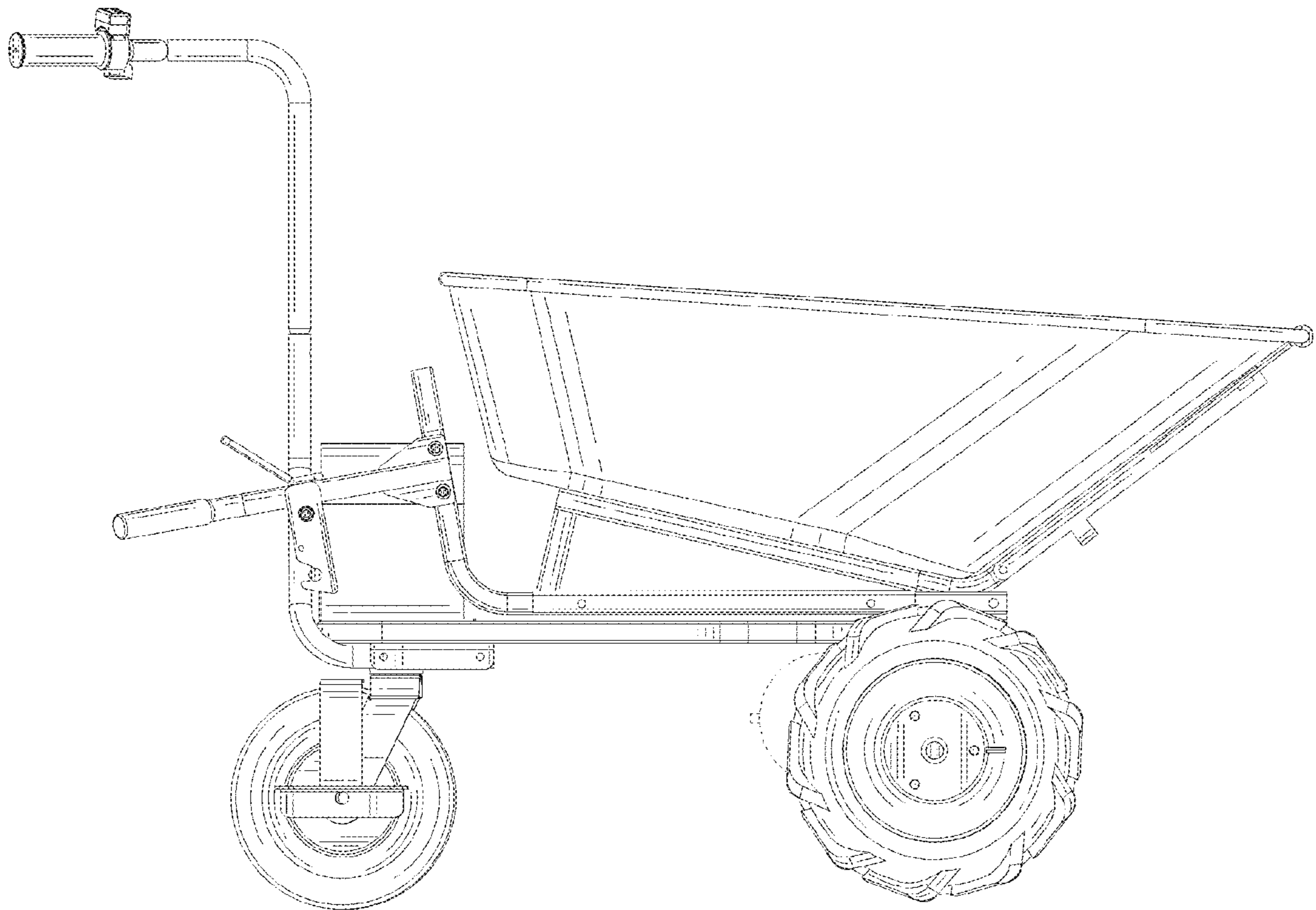


FIG. 5

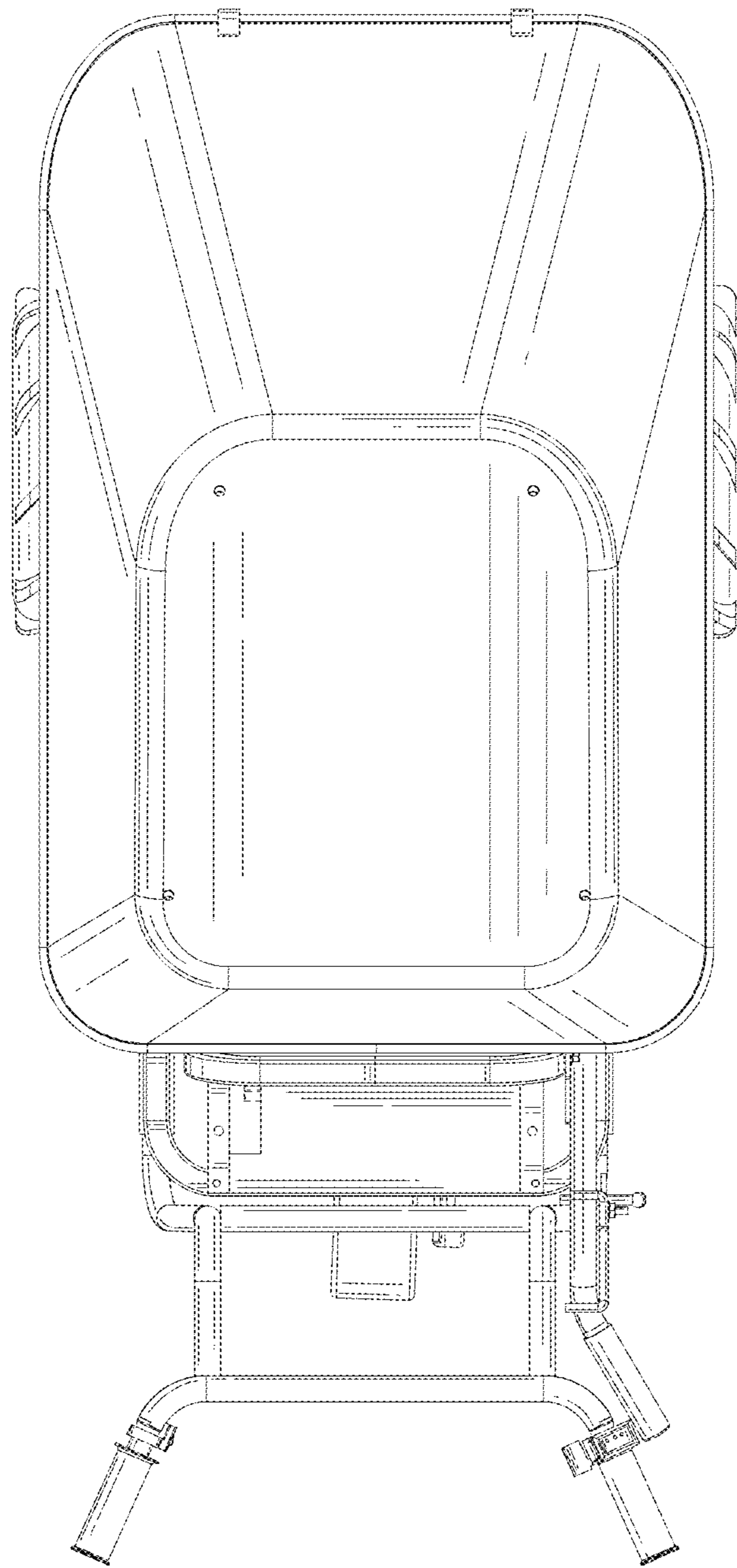


FIG. 6

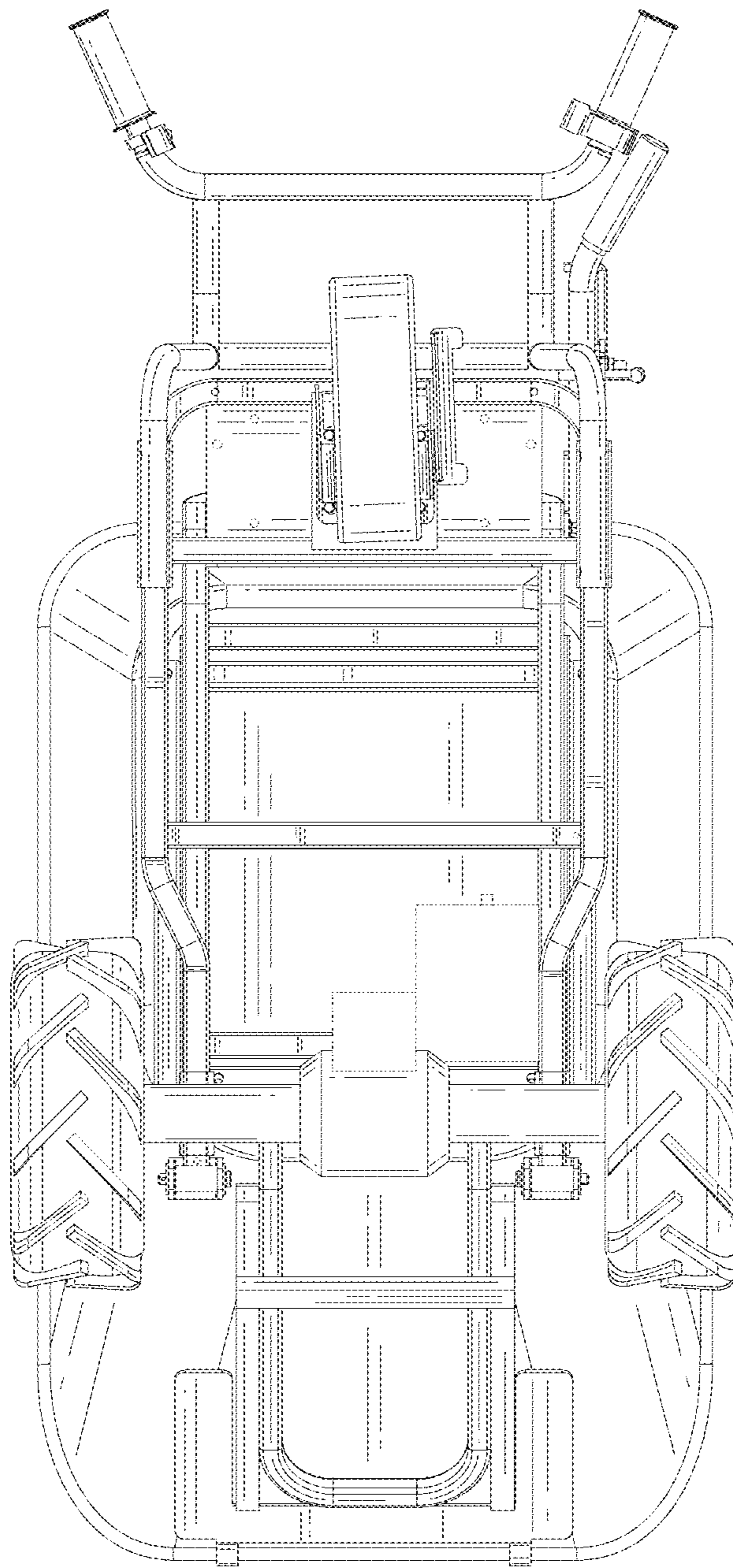


FIG. 7