



US00D901120S

(12) **United States Design Patent** (10) **Patent No.:** **US D901,120 S**
Li (45) **Date of Patent:** **** Nov. 3, 2020**

(54) **ELECTRIC CART**
(71) Applicant: **INTRADIN (HUZHOU) PRECISION TECHNOLOGY CO., LTD., Zhejiang (CN)**
(72) Inventor: **Junfeng Li, Zhejiang (CN)**
(73) Assignee: **INTRADIN (HUZHOU) PRECISION TECHNOLOGY CO., LTD., Huzhou (CN)**

(**) Term: **15 Years**

(21) Appl. No.: **29/690,243**

(22) Filed: **May 7, 2019**

(51) **LOC (12) Cl.** **12-02**

(52) **U.S. Cl.**
USPC **D34/16**

(58) **Field of Classification Search**
USPC D34/12-27
CPC B62B 1/12; B62B 1/20; B62B 2206/02;
B62B 5/06; B62B 5/067
See application file for complete search history.

(56) **References Cited**

U.S. PATENT DOCUMENTS

D191,504 S * 10/1961 Zupancie D34/17
5,330,212 A * 7/1994 Gardner B62B 1/20
280/40
6,962,370 B2 * 11/2005 Simpson B62D 63/061
280/47.34
8,505,932 B1 * 8/2013 Piccirillo B62B 5/0079
280/30
9,365,225 B2 * 6/2016 Henao B62B 3/02
D763,532 S * 8/2016 Huang D34/12
D819,917 S * 6/2018 Simpson D34/12

D826,507 S * 8/2018 Wernberg D34/12
10,160,467 B2 * 12/2018 Josephsen B62B 5/067
2011/0025005 A1 * 2/2011 Howell B62B 3/022
280/47.24
2012/0001403 A1 * 1/2012 Wydner B60D 1/155
280/415.1
2012/0133112 A1 * 5/2012 Myrant B62B 5/0079
280/655
2017/0297596 A1 * 10/2017 Ertel B62B 1/208

OTHER PUBLICATIONS

Google search Aug. 25, 2020, Amazon.com, Landworks Utility Cart Electric; <https://www.amazon.com/Landworks-Utility-Electric-Battery-Wheelbarrow/> (Year: 2020).*

* cited by examiner

Primary Examiner — Cynthia Ramirez

(74) *Attorney, Agent, or Firm* — Wayne & Ken, LLC;
Tony Hom

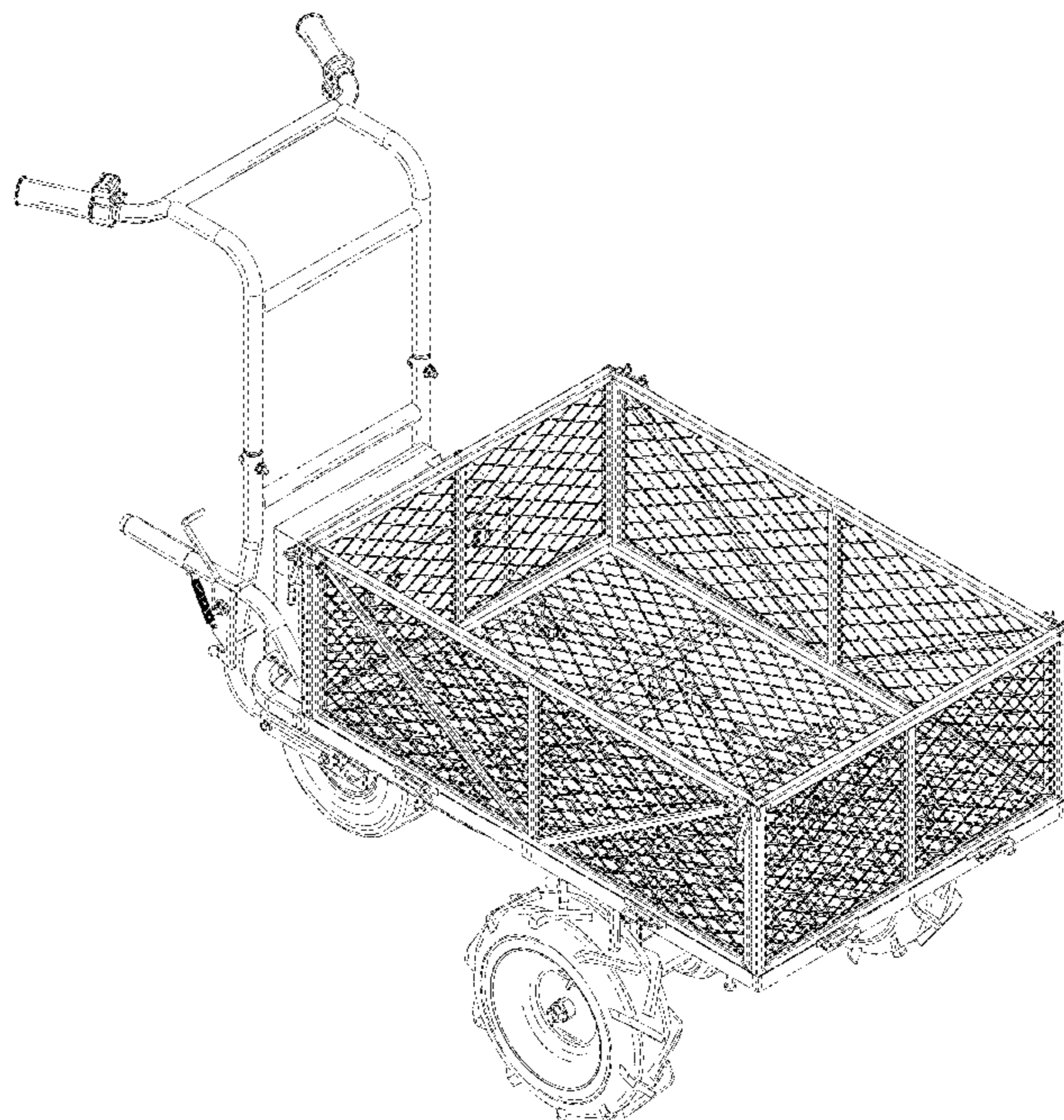
(57) **CLAIM**

The ornamental design for an electric cart, as shown and described.

DESCRIPTION

FIG. 1 is a perspective view of an electric cart showing my new design;
FIG. 2 is a front elevation view thereof;
FIG. 3 is a back elevation view thereof;
FIG. 4 is a left side view thereof;
FIG. 5 is a right side view thereof;
FIG. 6 is a top plan view thereof; and,
FIG. 7 is a bottom plan view thereof.
The broken lines in the drawings depict portions of the electric cart, which form no part of the claimed design.

1 Claim, 7 Drawing Sheets



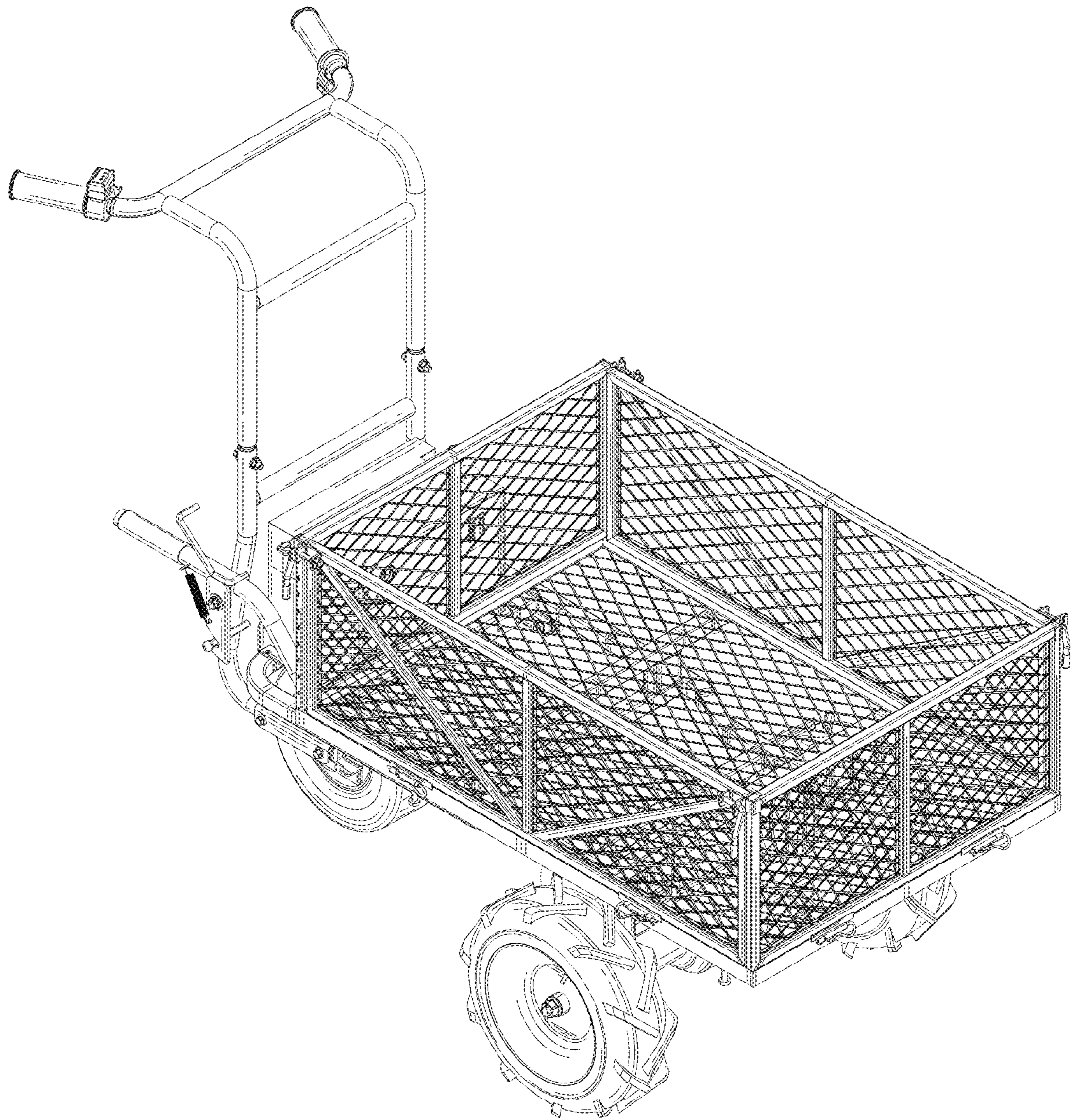


FIG. 1

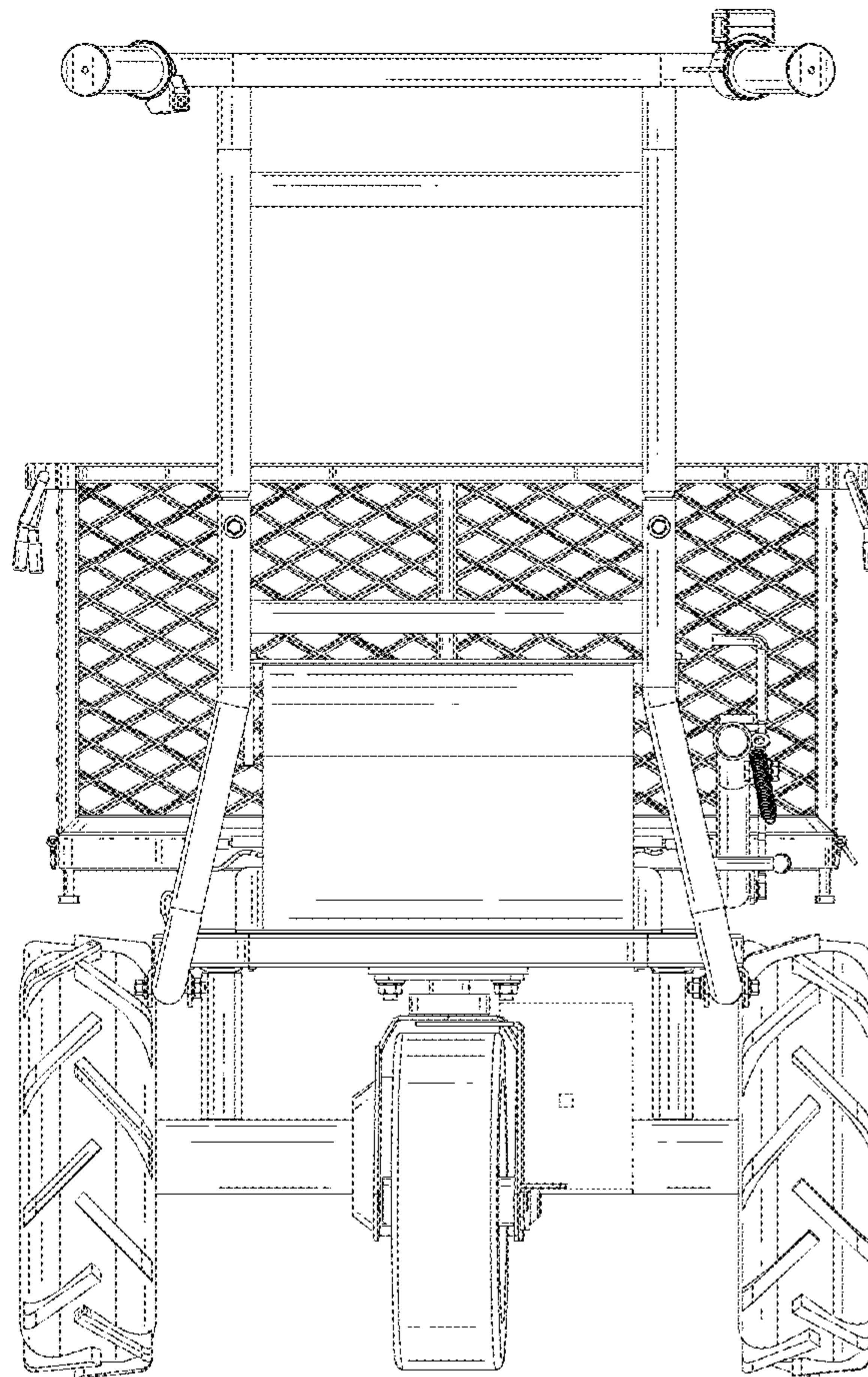


FIG. 2

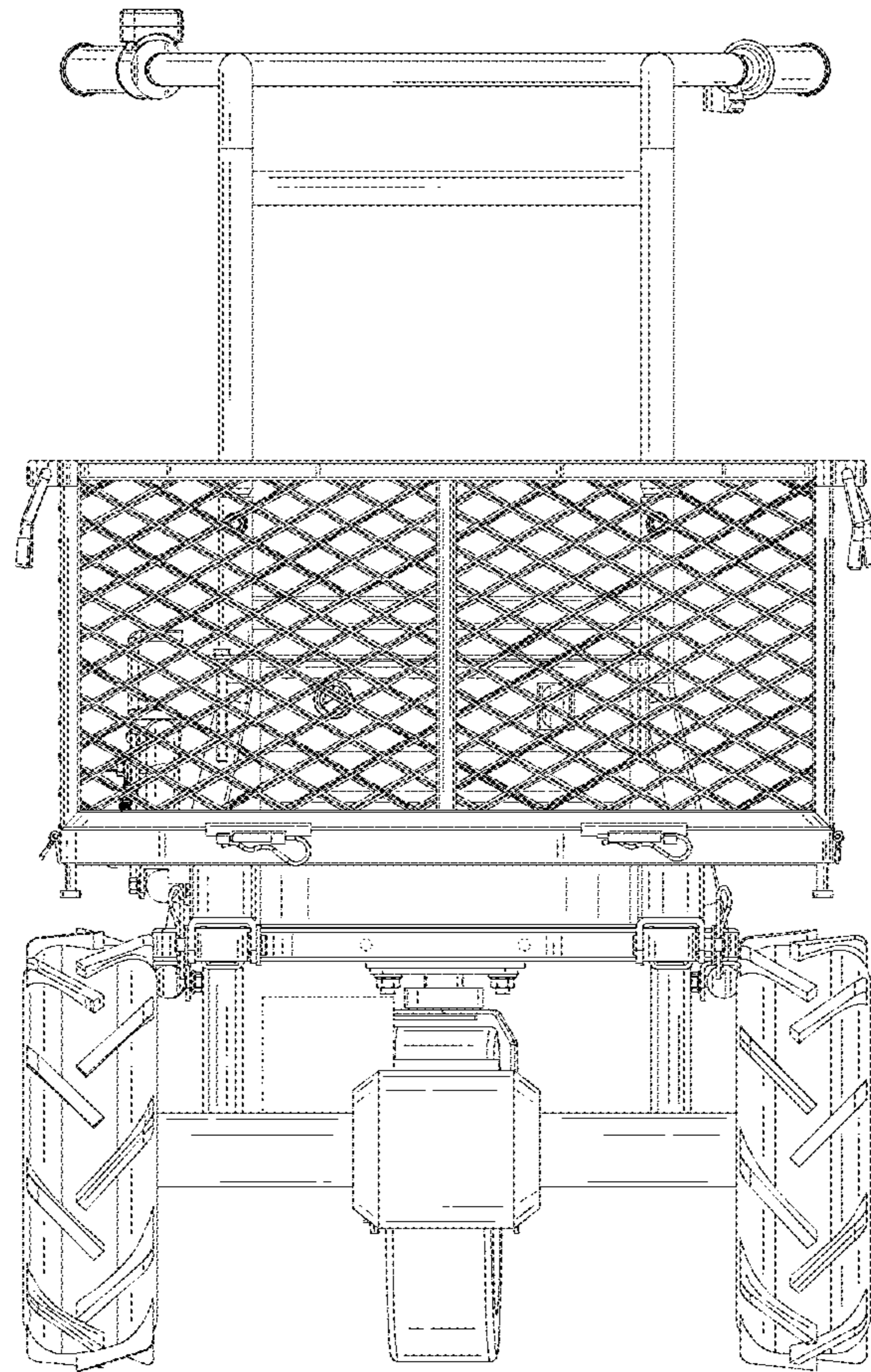


FIG. 3

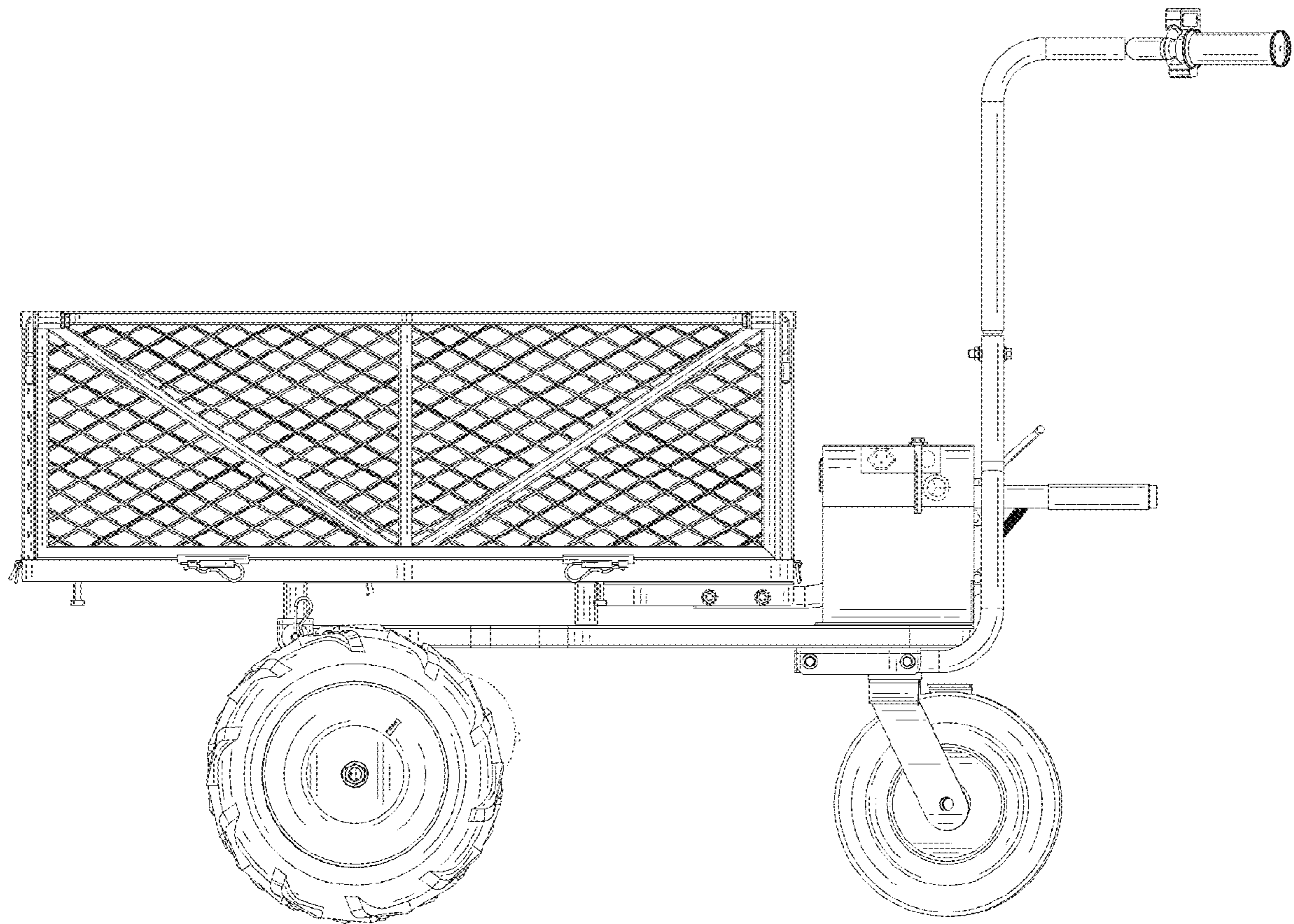


FIG. 4

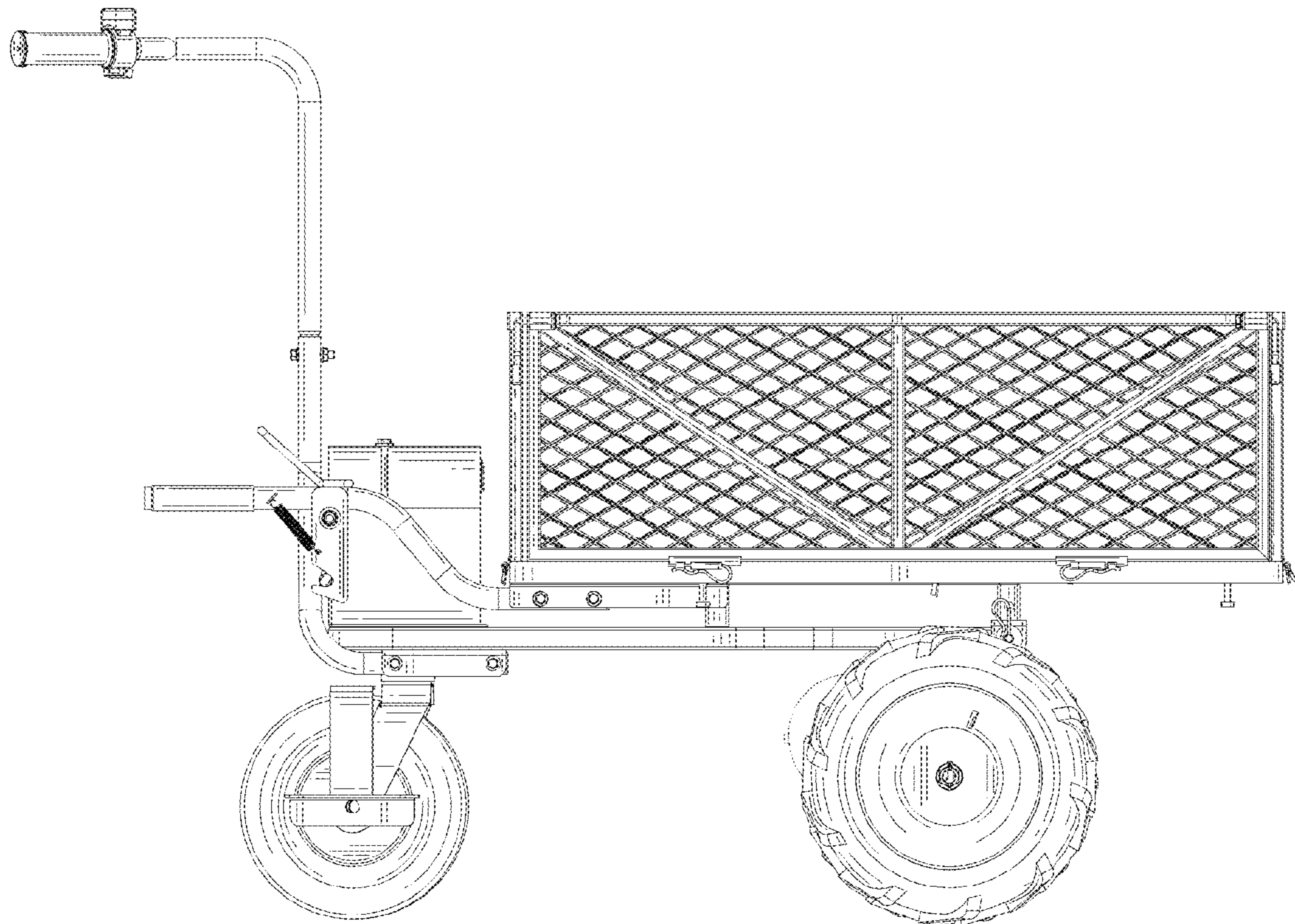


FIG. 5

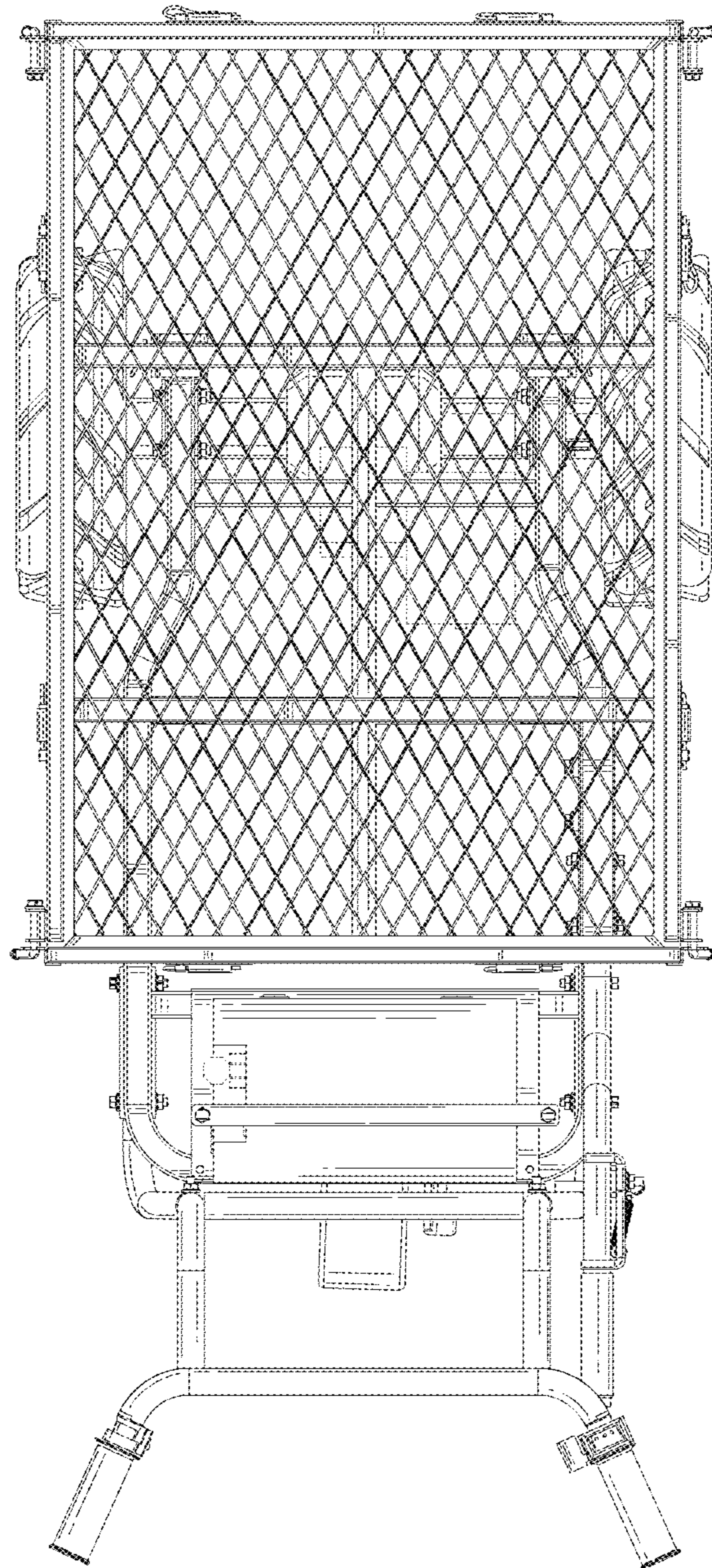


FIG. 6

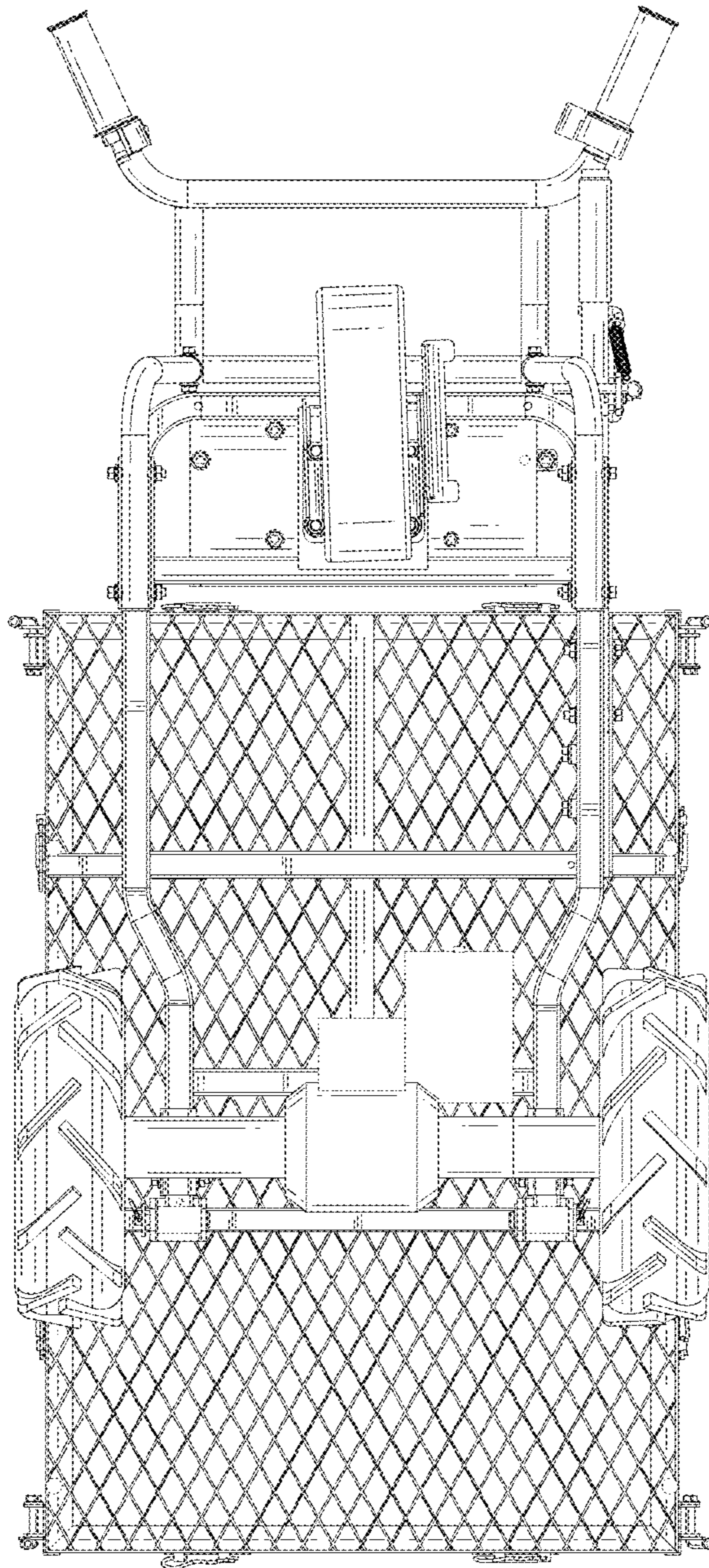


FIG. 7