



US00D901118S

(12) **United States Design Patent**  
**Wood et al.**

(10) **Patent No.:** **US D901,118 S**

(45) **Date of Patent:** **\*\* Nov. 3, 2020**

(54) **SNOW PADDLE**

(71) Applicants: **Stephen Patrick Wood**, Tahoe City, CA (US); **Lorraine Lee Wood**, Tahoe City, CA (US)

(72) Inventors: **Stephen Patrick Wood**, Tahoe City, CA (US); **Lorraine Lee Wood**, Tahoe City, CA (US)

(\*\*) Term: **15 Years**

(21) Appl. No.: **29/654,189**

(22) Filed: **Jun. 21, 2018**

(51) **LOC (12) Cl.** ..... **07-05**

(52) **U.S. Cl.**  
USPC ..... **D32/46**

(58) **Field of Classification Search**  
USPC ..... D32/40-43, 46; D8/10-11; D4/118, D4/131; D28/46  
CPC .... E01H 5/00; E01H 5/02; A47J 37/07; A47L 17/00; A47L 13/10; A47L 13/12; A47L 1/08; A47L 1/00; E02F 3/02  
See application file for complete search history.

(56) **References Cited**

**U.S. PATENT DOCUMENTS**

84,797 A \* 12/1868 Connolly ..... A01B 1/02 294/49  
1,066,562 A 7/1913 Wilkins  
(Continued)

**FOREIGN PATENT DOCUMENTS**

CA D-27044 3/1965  
CA 2025550 3/1991  
(Continued)

**OTHER PUBLICATIONS**

Youtube Snoshark channel, videos 2018, <https://www.youtube.com/channel/UC4BdLFt13lw85YFDu7RHpOw>, site visited May 15, 2019.\*  
(Continued)

*Primary Examiner* — John R Yeh  
(74) *Attorney, Agent, or Firm* — Holland & Hart LLP

(57) **CLAIM**

The ornamental design for a snow paddle, as shown and described.

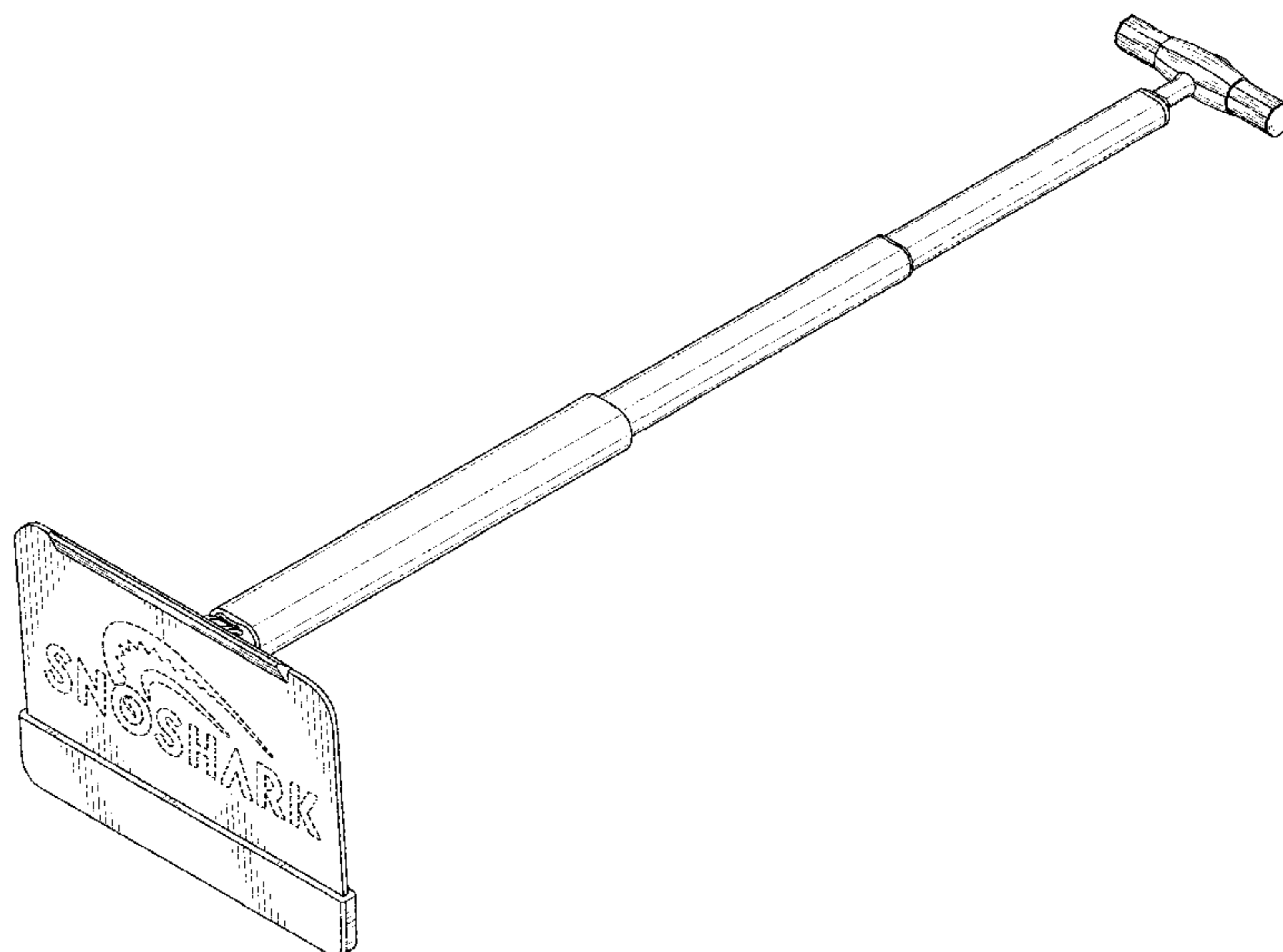
**DESCRIPTION**

FIG. 1 is a perspective view for a snow paddle showing our new design in a fully extended position;  
FIG. 2 is a top plan view thereof;  
FIG. 3 is a bottom plan view thereof;  
FIG. 4 is a right side elevation view thereof;  
FIG. 5 is a left side elevation view thereof;  
FIG. 6 is a front elevation view thereof;  
FIG. 7 is a rear elevation view thereof;  
FIG. 8 is a perspective view for a snow paddle showing our new design in a fully closed position;  
FIG. 9 is a top plan view thereof;  
FIG. 10 is a bottom plan view thereof;  
FIG. 11 is a right side elevation view thereof;  
FIG. 12 is a left side elevation view thereof;  
FIG. 13 is a front elevation view thereof; and,  
FIG. 14 is a rear elevation view thereof.

A portion of the disclosure of this patent document contains material which is subject to trademark and copyright protection. This patent document shows a copyrighted and trade dress logo for Snoshark which is owned by Stephen and Lorraine Wood. The copyright and trade dress owners have no objection to the facsimile reproduction by anyone of the patent disclosure as it appears in the Patent and Trademark Office patent files or records, but otherwise reserve all copyright and trade dress rights whatsoever.

The broken lines in the figures represent features of the Snow Paddle that form no part of the claimed design.

**1 Claim, 14 Drawing Sheets**



(56)

References Cited

U.S. PATENT DOCUMENTS

1,191,810 A 7/1916 Miller  
 1,202,791 A 10/1916 Brownstein  
 1,572,824 A \* 2/1926 Tatge ..... E02F 3/02  
 294/53.5  
 1,693,472 A \* 11/1928 Batty ..... E01H 5/02  
 294/53.5  
 2,098,609 A 6/1936 Bishop  
 2,239,297 A 4/1941 Allen et al.  
 2,463,150 A 3/1949 Camp  
 D162,897 S \* 4/1951 Still ..... D28/46  
 2,704,036 A \* 3/1955 Briggs ..... E01B 27/14  
 104/13  
 2,919,153 A \* 12/1959 Benton ..... E01H 5/02  
 294/51  
 3,465,457 A 9/1969 Stone  
 3,473,838 A 10/1969 Rankin  
 3,583,747 A 6/1971 Lambert  
 3,773,375 A 11/1973 Nehls  
 4,094,543 A 6/1978 Fratini  
 4,264,095 A 4/1981 Lemasters  
 4,559,726 A \* 12/1985 Moisan ..... E01H 5/02  
 294/51  
 4,565,398 A 1/1986 Poulin  
 D291,611 S 8/1987 Toth  
 4,848,819 A \* 7/1989 Moorefield ..... E01H 5/02  
 294/54.5  
 4,865,372 A 9/1989 Gabriel  
 4,865,373 A \* 9/1989 Hudson ..... E01H 5/02  
 294/54.5  
 D305,468 S 1/1990 Yonkers  
 4,905,372 A \* 3/1990 Willis ..... B26B 21/523  
 30/526  
 4,908,900 A 3/1990 McLaughlin et al.  
 4,947,562 A 8/1990 Williamson  
 4,996,834 A 3/1991 Geist  
 5,048,883 A 9/1991 Waluk  
 5,109,930 A \* 5/1992 Napier ..... A01B 1/02  
 111/99  
 5,346,269 A \* 9/1994 Price ..... A01B 1/02  
 294/49  
 5,522,629 A 6/1996 Loo  
 5,593,198 A 1/1997 Vogel, II  
 5,630,633 A 5/1997 Dupre et al.  
 5,704,127 A \* 1/1998 Cordio ..... B26B 21/14  
 30/49  
 5,791,707 A 8/1998 Szakurski  
 D397,591 S 9/1998 Susini, III  
 5,810,408 A 9/1998 Armstrong  
 5,829,808 A \* 11/1998 Colla ..... E01H 5/02  
 294/53.5  
 5,845,949 A 12/1998 Vosbikian  
 6,018,894 A 2/2000 Whitehead et al.  
 D431,101 S \* 9/2000 Gracy ..... D32/49  
 6,158,791 A 12/2000 Drew  
 6,189,222 B1 2/2001 Doyle  
 6,526,619 B1 3/2003 Cassels, Jr.  
 6,925,676 B2 8/2005 Heavner et al.  
 D511,032 S \* 10/2005 Roberts ..... D32/41  
 6,990,705 B1 1/2006 Schouten et al.  
 D539,496 S \* 3/2007 Sickler ..... D32/41  
 D544,160 S \* 6/2007 Thomas ..... D32/42  
 7,296,368 B1 11/2007 Rigo  
 7,343,637 B2 3/2008 Lafleur

D593,267 S \* 5/2009 Terao ..... D32/40  
 7,571,945 B2 8/2009 Walker et al.  
 D611,653 S \* 3/2010 Marut ..... D28/46  
 D620,658 S \* 7/2010 Johnson ..... D32/46  
 7,762,597 B2 7/2010 Marlin  
 8,100,447 B2 1/2012 DeWinter  
 8,256,809 B2 9/2012 Coutu  
 8,347,528 B1 1/2013 Seltzer  
 8,375,500 B1 2/2013 Aguirre  
 8,464,387 B1 \* 6/2013 Cohen ..... B60S 3/045  
 15/105  
 8,800,175 B1 8/2014 Faraci et al.  
 D714,006 S 9/2014 Sanchez  
 D724,286 S \* 3/2015 Colangelo ..... A47L 13/16  
 D32/40  
 8,973,201 B1 3/2015 De Vito et al.  
 9,049,918 B2 6/2015 Perelli et al.  
 9,119,337 B2 9/2015 Frati et al.  
 9,145,112 B1 \* 9/2015 Ihde ..... B60S 3/045  
 9,320,347 B1 4/2016 Skarzynski  
 9,345,314 B2 5/2016 Henningsen  
 9,427,862 B1 8/2016 Durfee, Jr.  
 9,587,359 B1 3/2017 Yu  
 D782,889 S \* 4/2017 Vera Andrades ..... D8/10  
 9,913,565 B2 3/2018 Smith et al.  
 9,925,961 B2 \* 3/2018 Cohen ..... B60S 3/045  
 D824,128 S \* 7/2018 O'Shea ..... D32/46  
 D853,672 S 7/2019 Beyda et al.  
 D866,896 S \* 11/2019 Gee, II ..... D32/46  
 2003/0146632 A1 8/2003 Marion et al.  
 2004/0177461 A1 9/2004 Ajluni  
 2004/0250365 A1 12/2004 Anderson et al.  
 2004/0250367 A1 12/2004 Fraser  
 2011/0258889 A1 10/2011 Settembre et al.  
 2013/0139414 A1 6/2013 Hogenson  
 2013/0168983 A1 7/2013 Swanger  
 2014/0007364 A1 1/2014 Cohen  
 2014/0245557 A1 9/2014 Cohen  
 2014/0366291 A1 \* 12/2014 Blocker ..... A47L 11/282  
 15/97.1  
 2016/0222613 A1 8/2016 Stoddart  
 2017/0113660 A1 \* 4/2017 Cohen ..... B60S 3/045  
 2017/0240143 A1 \* 8/2017 Vaeth ..... B60S 3/045

FOREIGN PATENT DOCUMENTS

FR 2861950 7/1916  
 JP D1497125 \* 5/2014

OTHER PUBLICATIONS

Snoshark website date Aug. 26, 2018, Wayback machine, visited May 15, 2019.\*  
 Youtube, Paddle and Scraper on a Snow Blower, video Jun. 27, 2011, site visited May 15, 2019, <https://www.youtube.com/watch?v=aZQ0rcfjMt0>.\*  
 Northern Tool + Equipment; Manplow Ultimate Telescoping Snow Car Tool.  
 Northern Tool + Equipment; The Snowplow Snow Pusher.  
 International Search Report and Written Opinion of The International Searching Authority for International Application PCT/US19/35876, dated Aug. 30, 2019.  
 SnowShark Kickstarter Story (Sno Shark) Oct. 29, 2018 <https://www.youtube.com/watch?v=MrWIMAre-bQ>.

\* cited by examiner

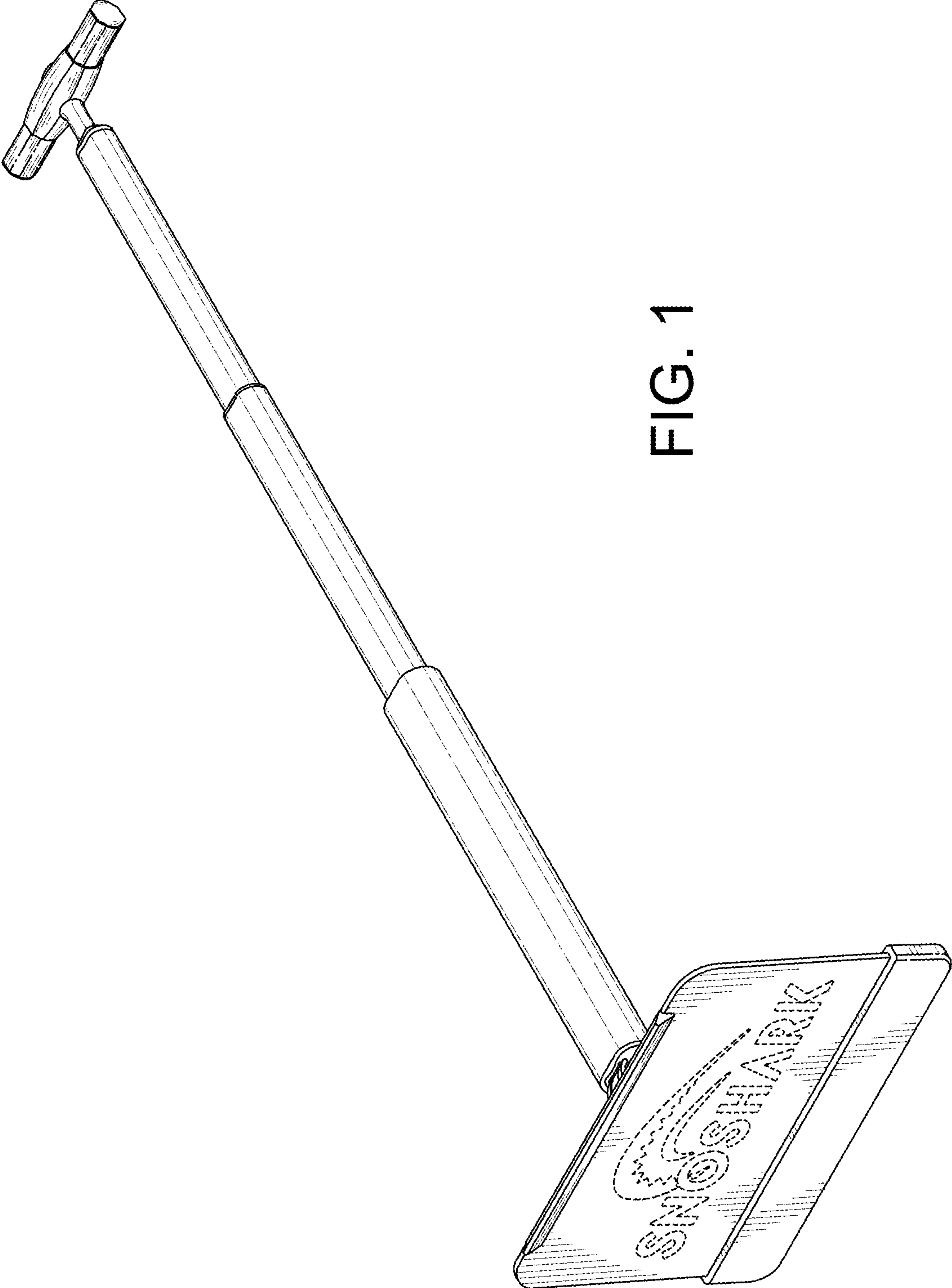


FIG. 1

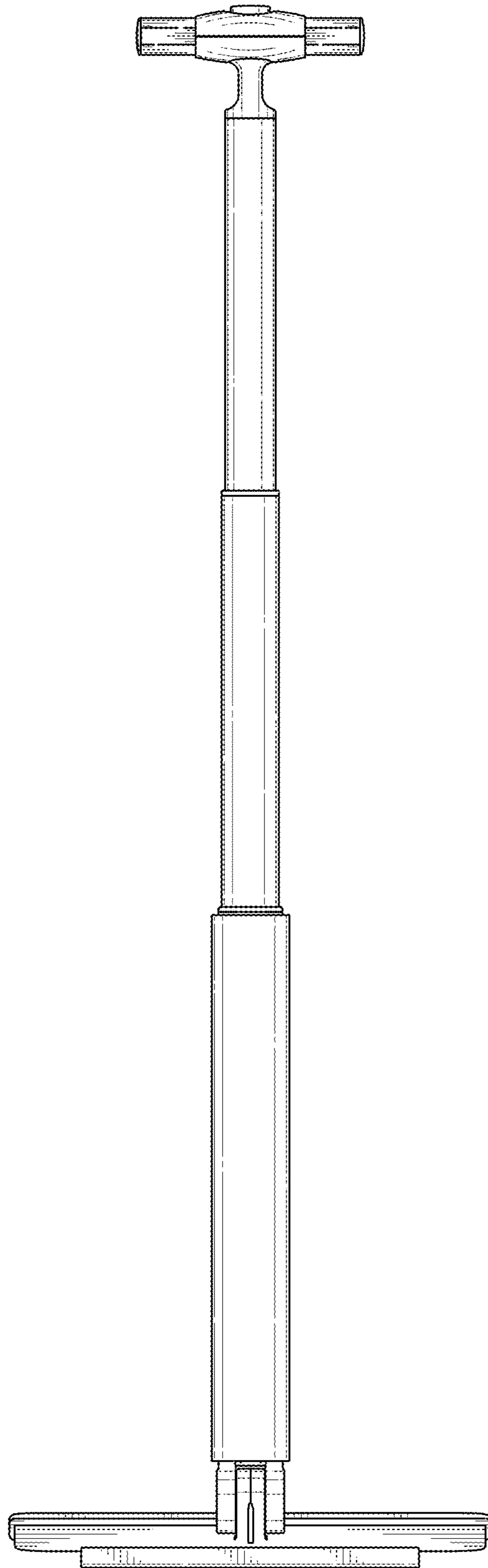


FIG. 2

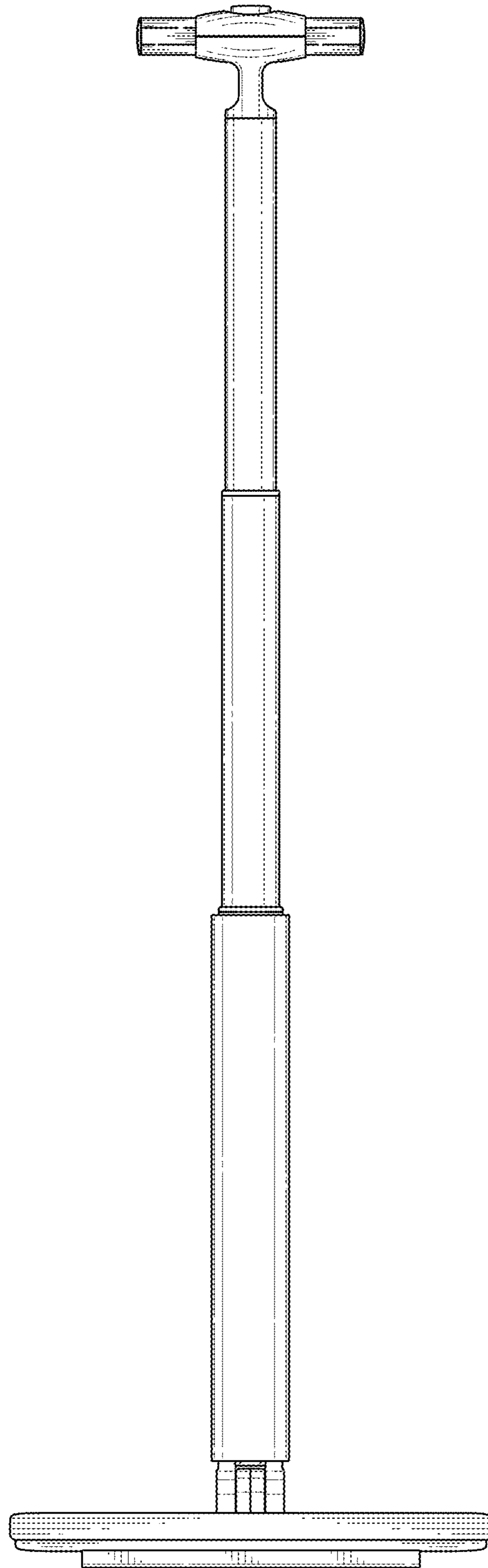


FIG. 3

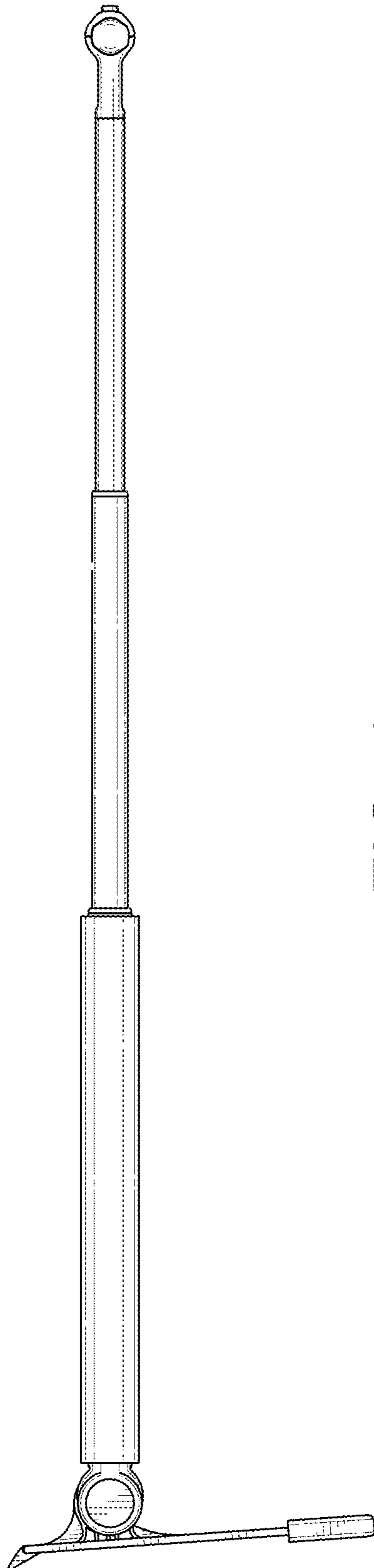


FIG. 4

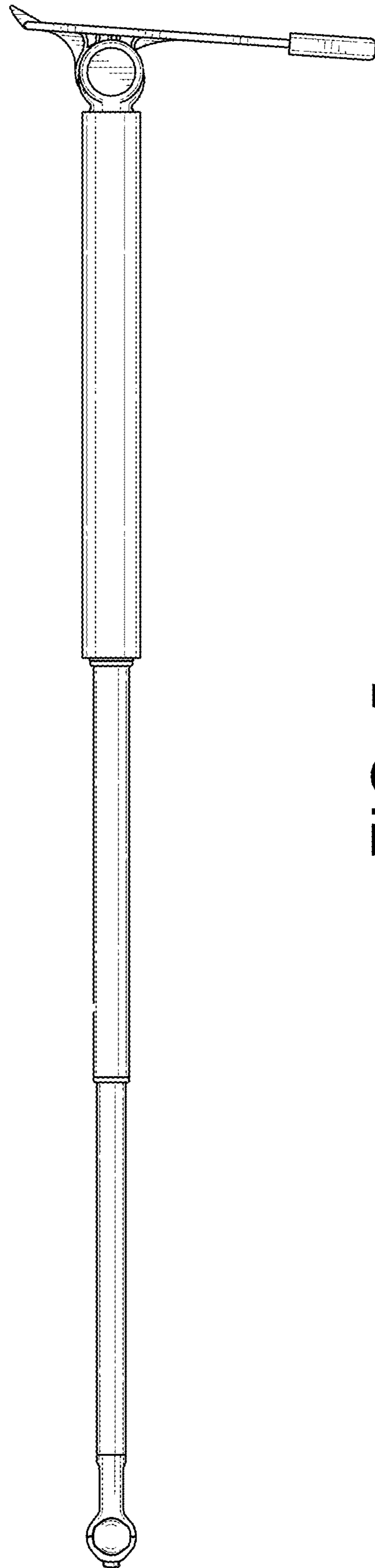


FIG. 5

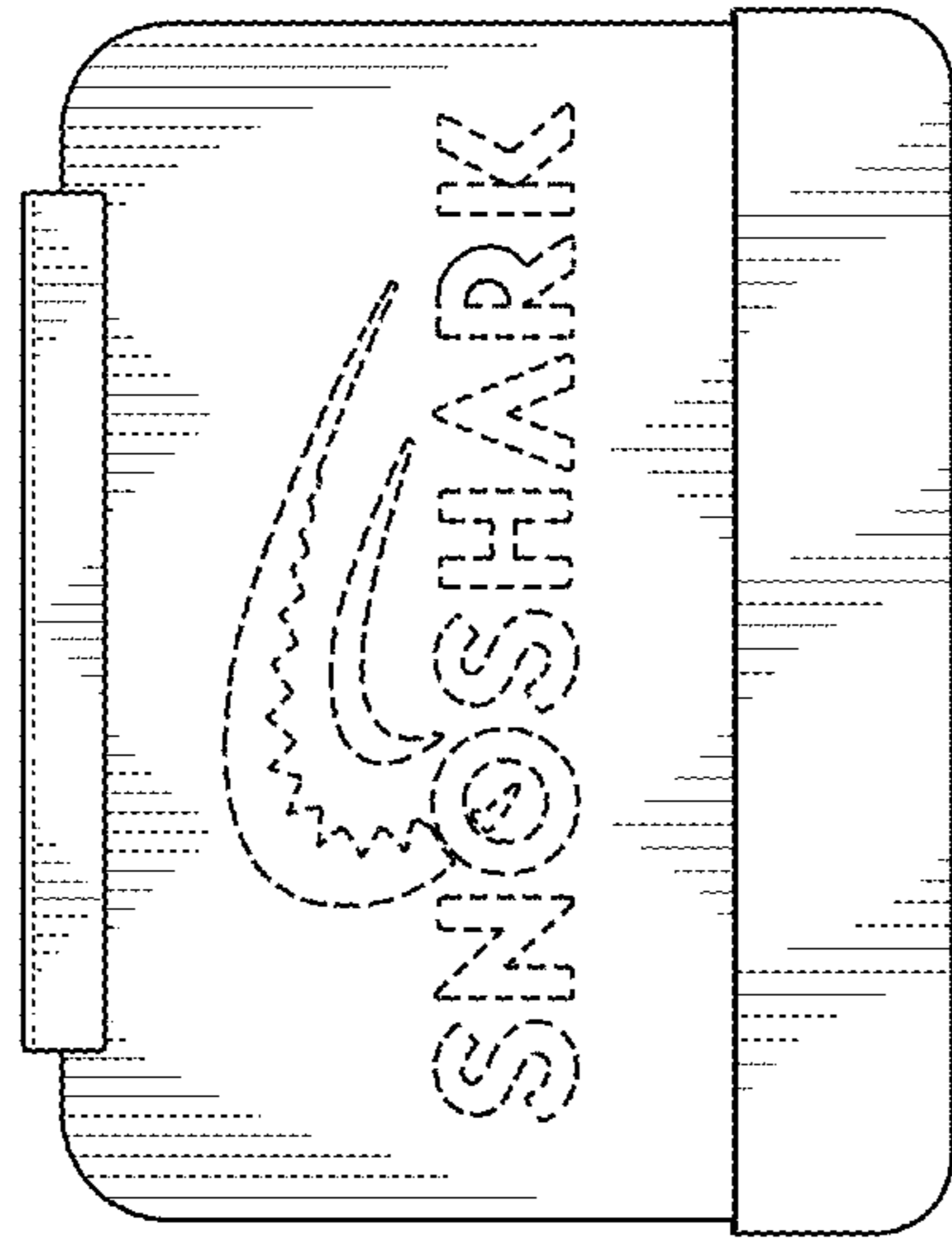


FIG. 6



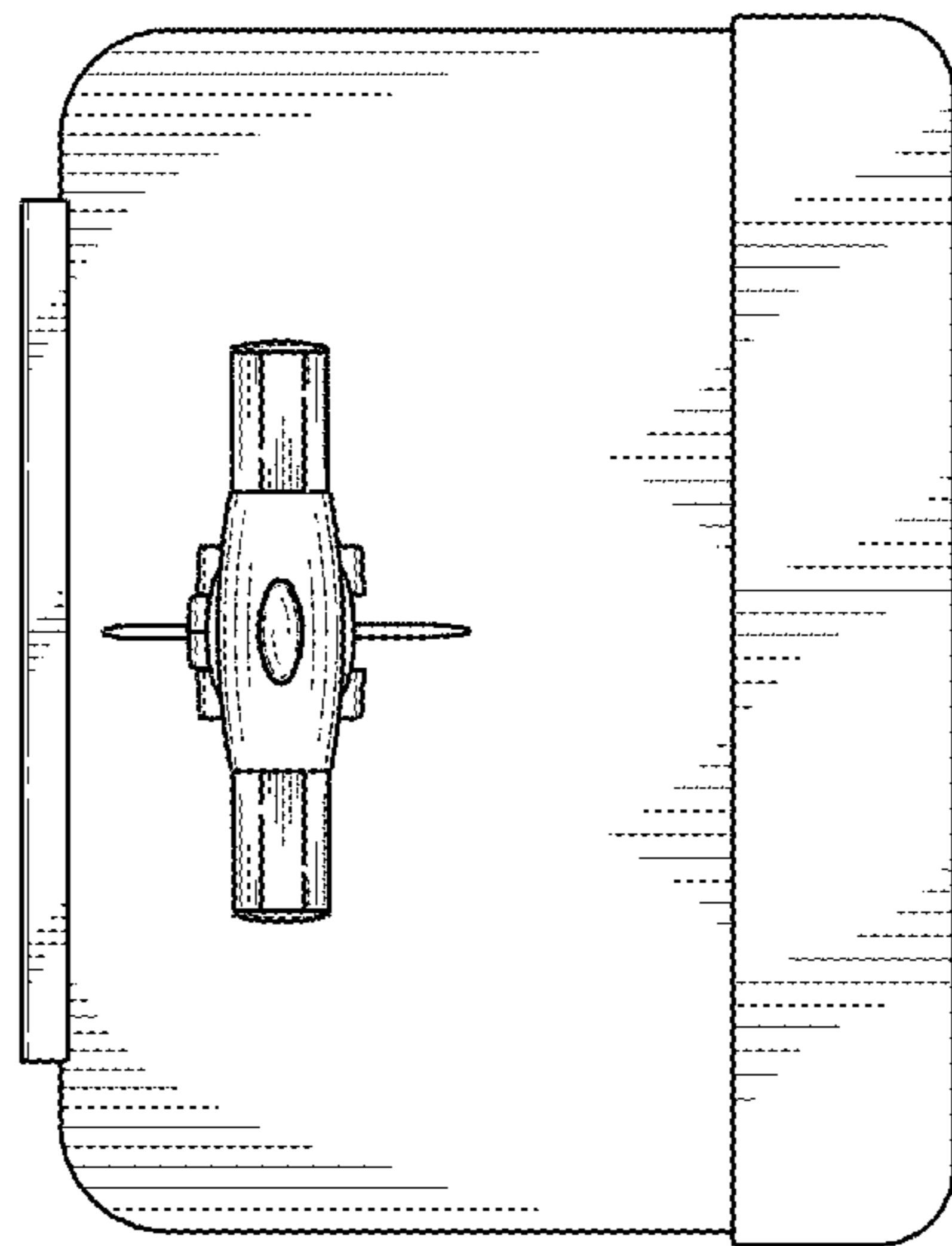


FIG. 7

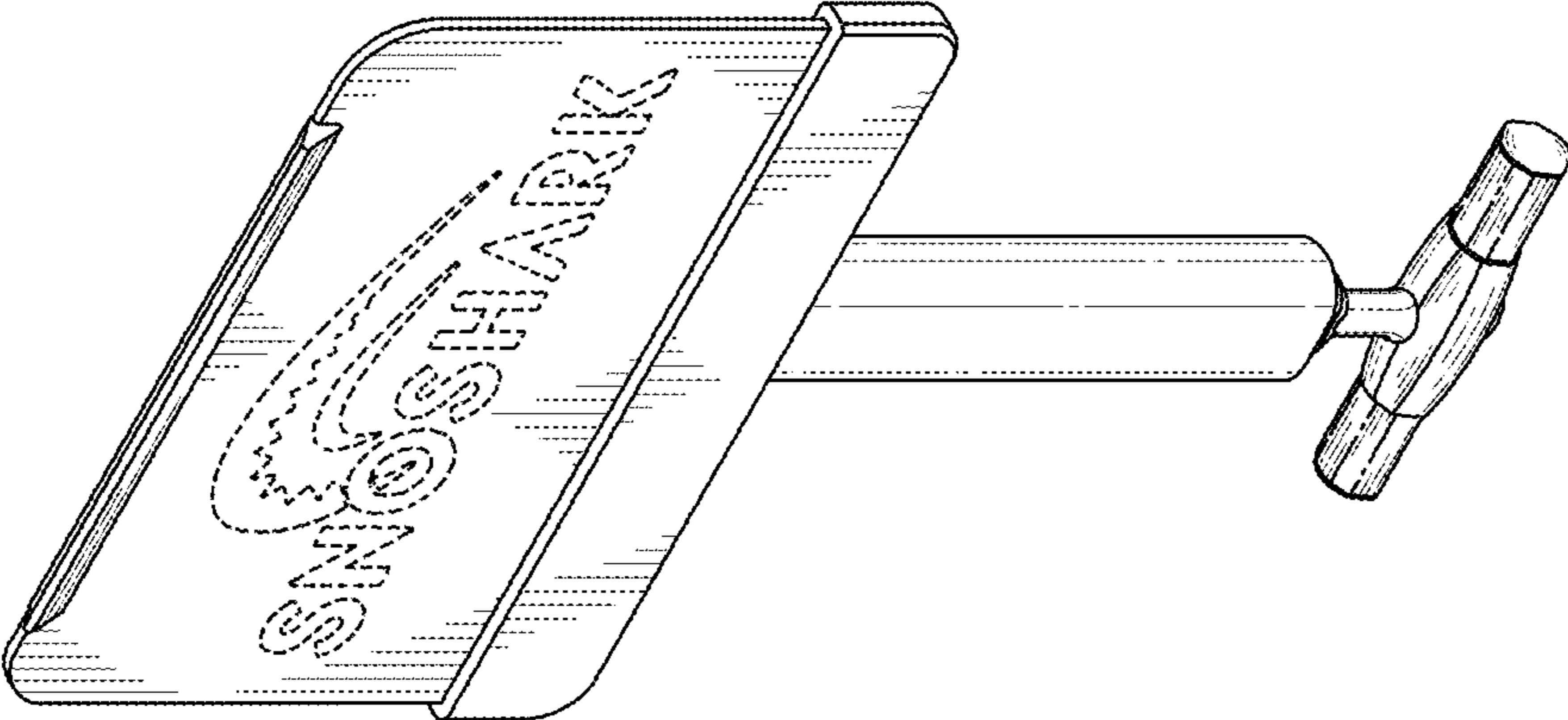


FIG. 8

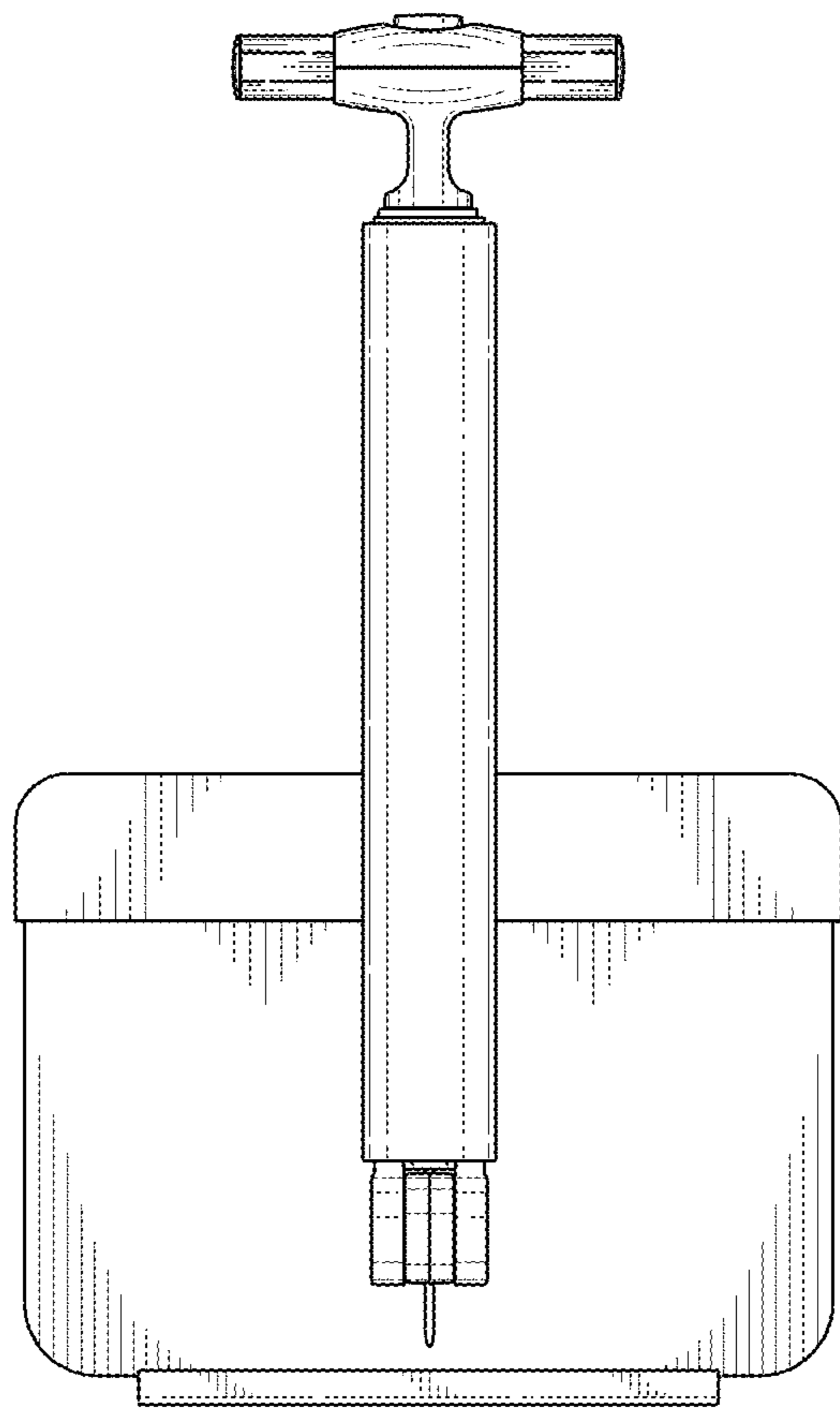


FIG. 9

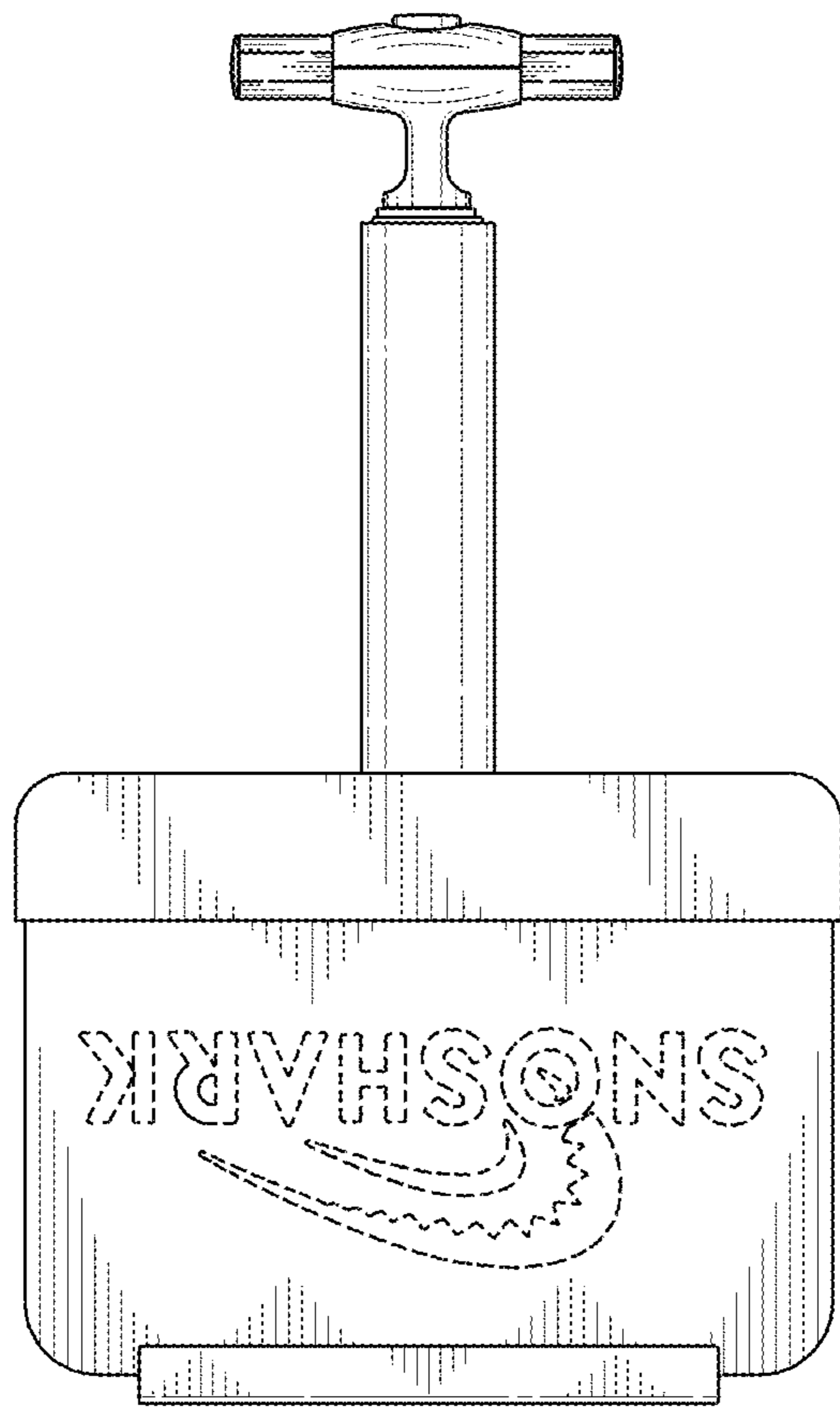


FIG. 10

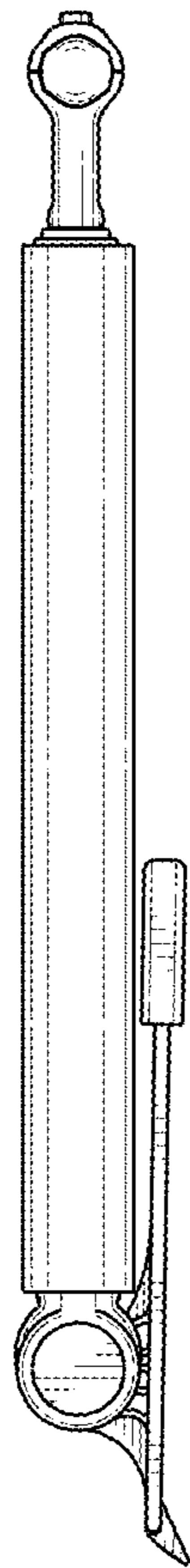


FIG. 11

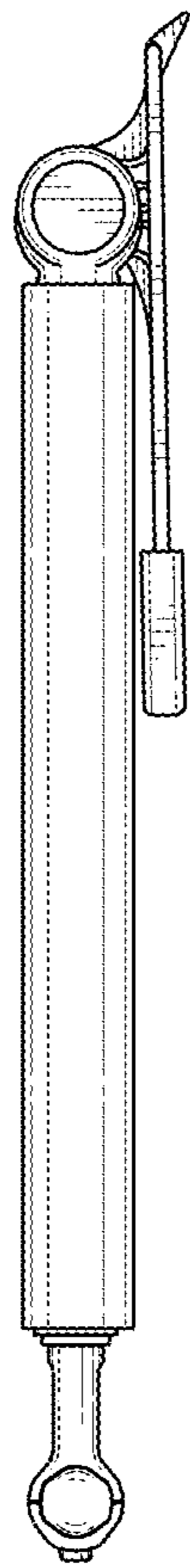


FIG. 12

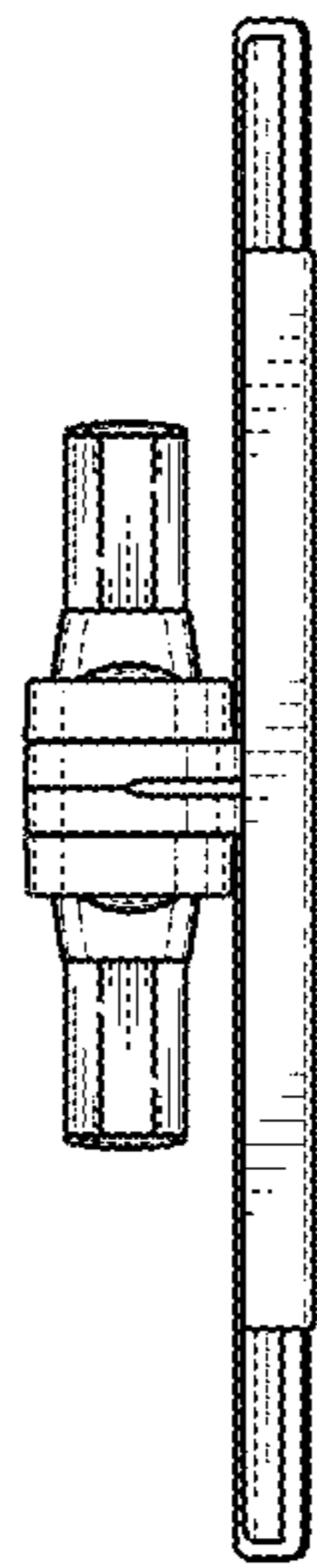


FIG. 13

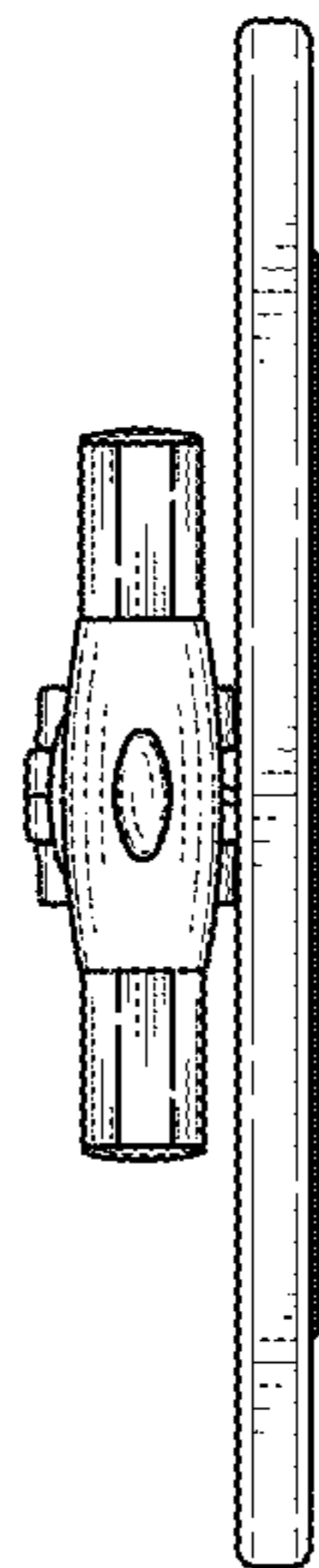


FIG. 14