



US00D901113S

(12) **United States Design Patent** (10) **Patent No.:** **US D901,113 S**
Song et al. (45) **Date of Patent:** **** Nov. 3, 2020**

(54) **NOZZLE FOR VACUUM CLEANER**

(56) **References Cited**

(71) Applicant: **LG ELECTRONICS INC.**, Seoul (KR)

U.S. PATENT DOCUMENTS

(72) Inventors: **Seunghyun Song**, Seoul (KR);
Jaeyoung Kim, Seoul (KR); **Seongmin Kim**, Seoul (KR); **Wookjun Chung**, Seoul (KR)

D795,514 S	*	8/2017	Yoon	D32/32
D805,704 S	*	12/2017	Miyazaki	D32/32
D807,603 S	*	1/2018	Roschi	D32/32
D812,332 S	*	3/2018	Yoon	D32/32
D850,741 S	*	6/2019	Hooley	D32/32
D874,766 S	*	2/2020	Chavana, Jr.	D32/33
D880,791 S	*	4/2020	Ducette, Jr.	D32/32

(73) Assignee: **LG ELECTRONICS INC.**, Seoul (KR)

* cited by examiner

(**) Term: **15 Years**

Primary Examiner — Khawaja Anwar

(21) Appl. No.: **35/506,941**

(74) *Attorney, Agent, or Firm* — Birch, Stewart, Kolasch & Birch, LLP

(22) Filed: **Nov. 22, 2018**

(57) **CLAIM**

(80) **Hague Agreement Data**

Int. Filing Date: **Nov. 22, 2018**

Int. Reg. No.: **DM/201480**

Int. Reg. Date: **Nov. 22, 2018**

Int. Reg. Pub. Date: **Jun. 21, 2019**

The ornamental design for a nozzle for vacuum cleaner, as shown and described.

DESCRIPTION

(30) **Foreign Application Priority Data**

Jun. 29, 2018 (KR) 30-2018-0030120

(51) **LOC (12) Cl.** **15-05**

(52) **U.S. Cl.**
USPC **D32/32**

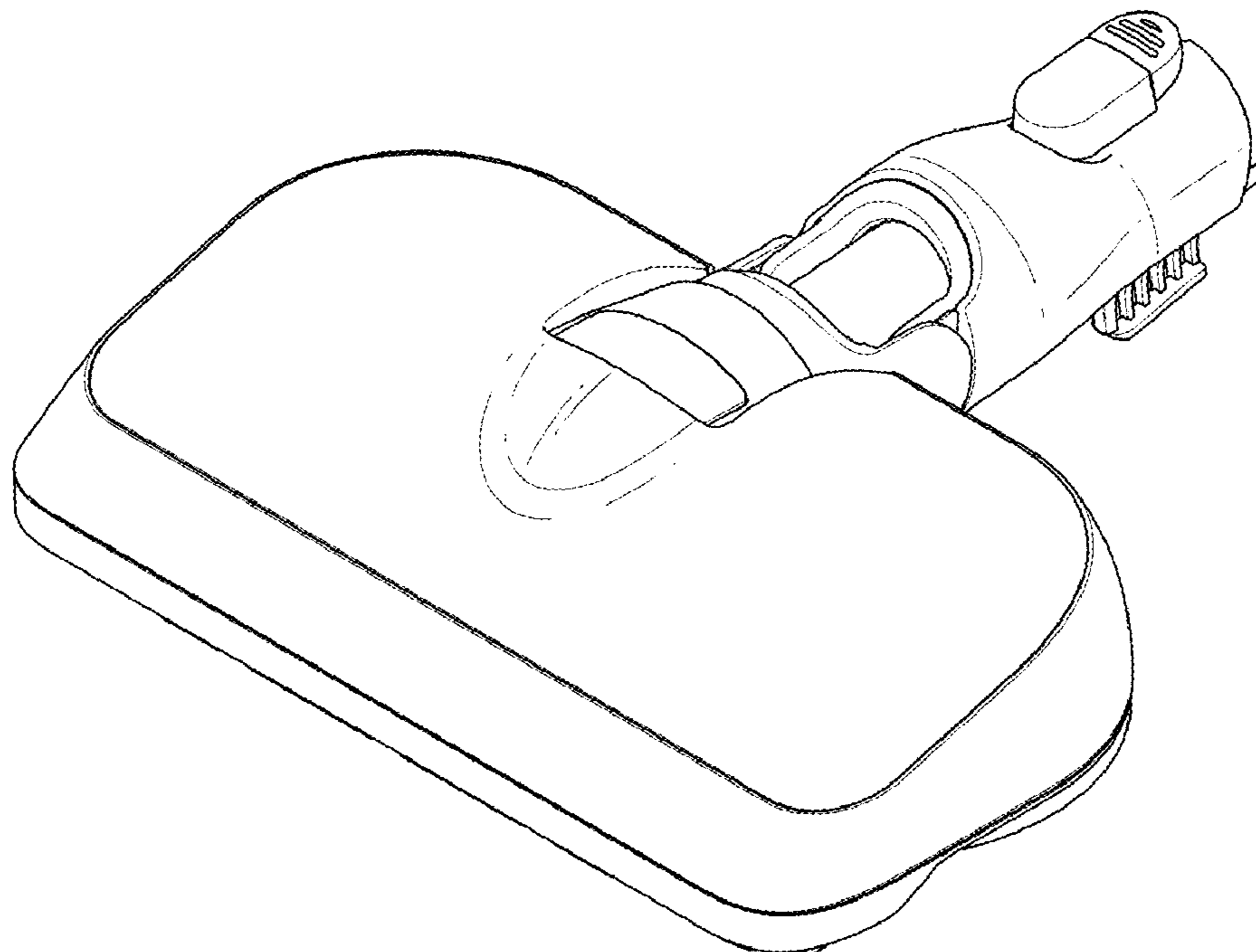
(58) **Field of Classification Search**
USPC D32/31-33
CPC .. A47L 11/24; A47L 11/4005; A47L 11/4066;
A47L 2201/00; A47L 9/009

1. Nozzle for vacuum cleaner
- 1.1 is a front perspective view of a nozzle for vacuum cleaner;
- 1.2 is a rear perspective view thereof;
- 1.3 is a front view thereof;
- 1.4 is a rear view thereof;
- 1.5 is a left side view thereof;
- 1.6 is a right side view thereof;
- 1.7 is a top view thereof; and
- 1.8 is a bottom view thereof.

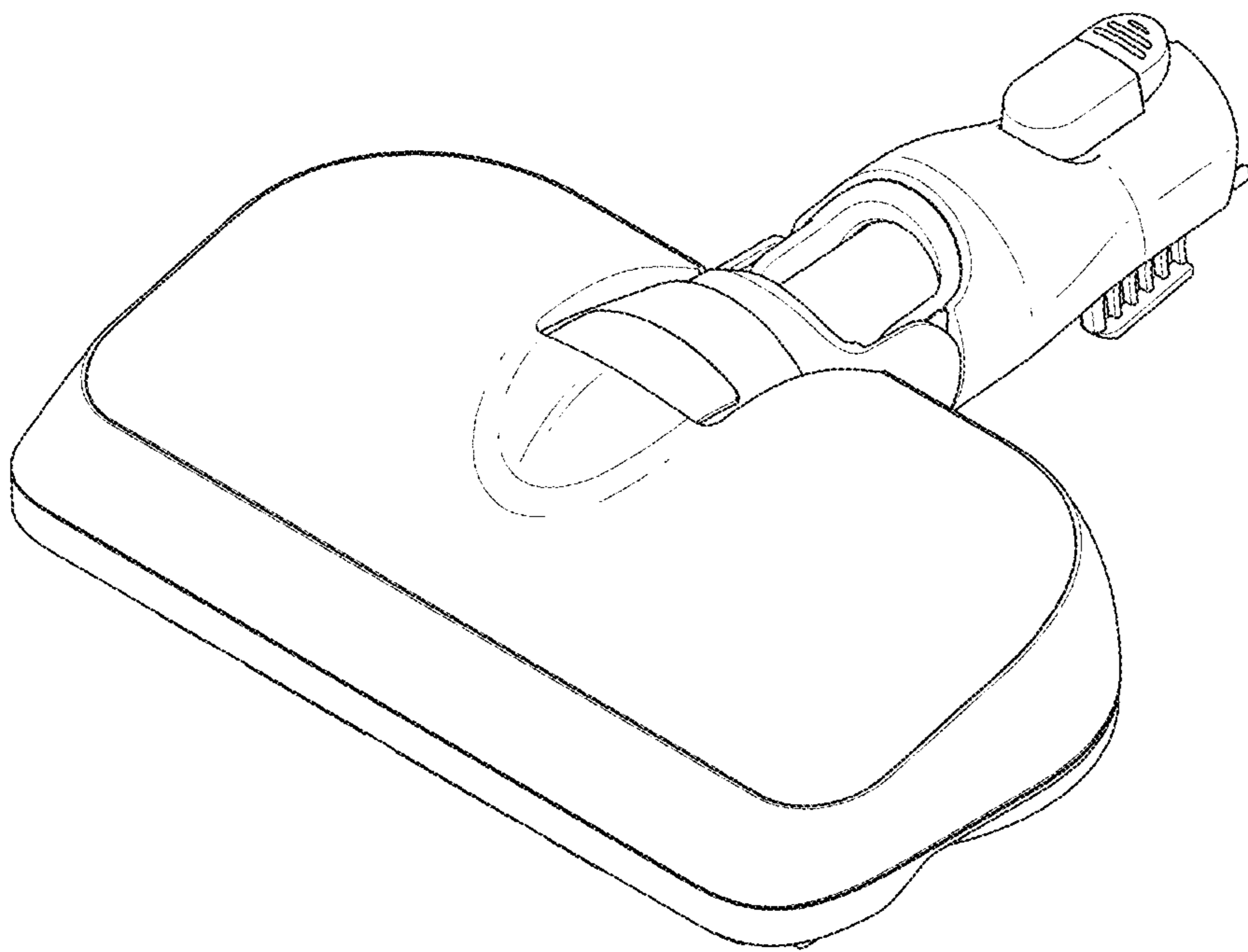
The broken lines indicate portions of the nozzle for vacuum cleaner that form no part of the claimed design.

See application file for complete search history.

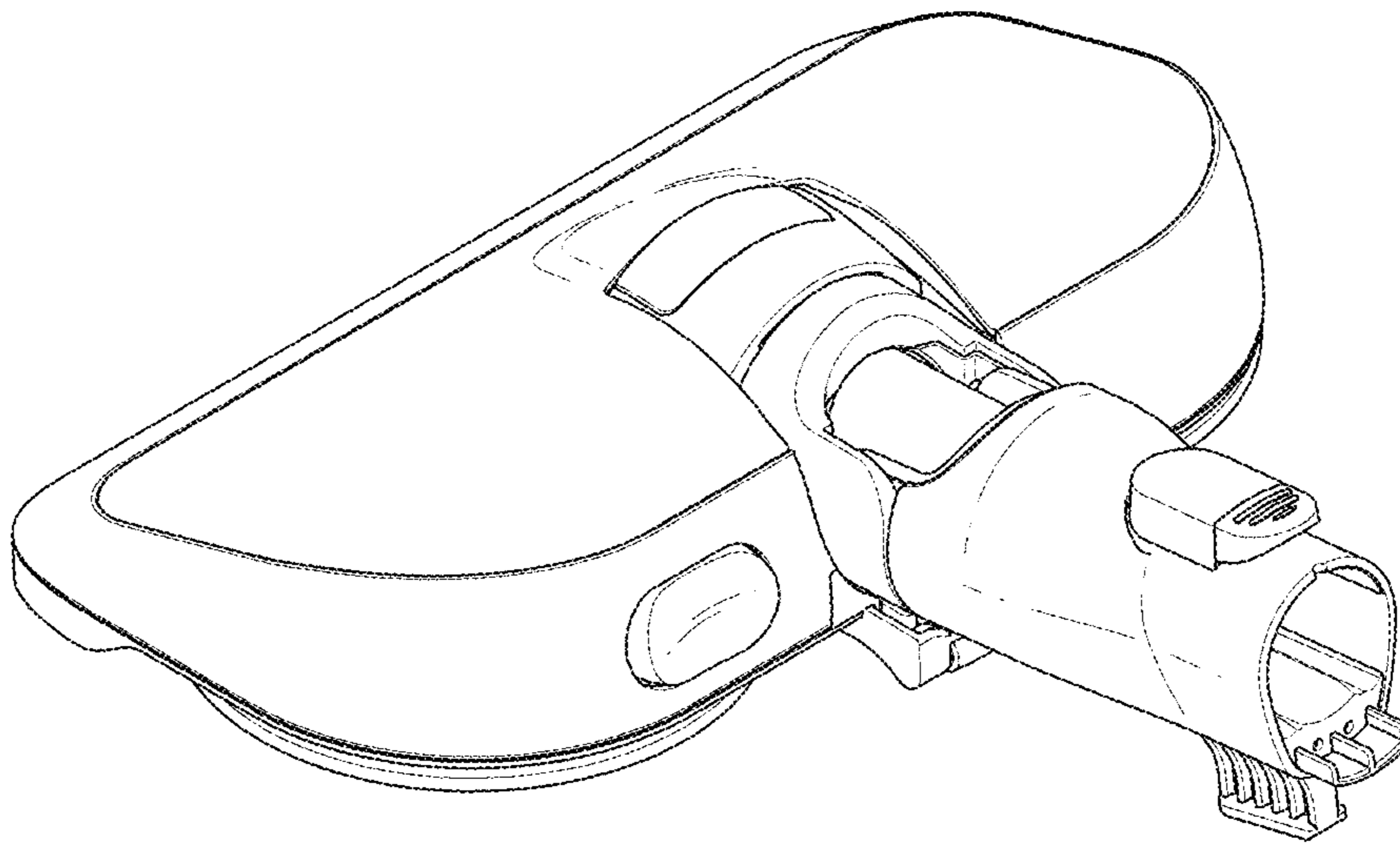
1 Claim, 8 Drawing Sheets



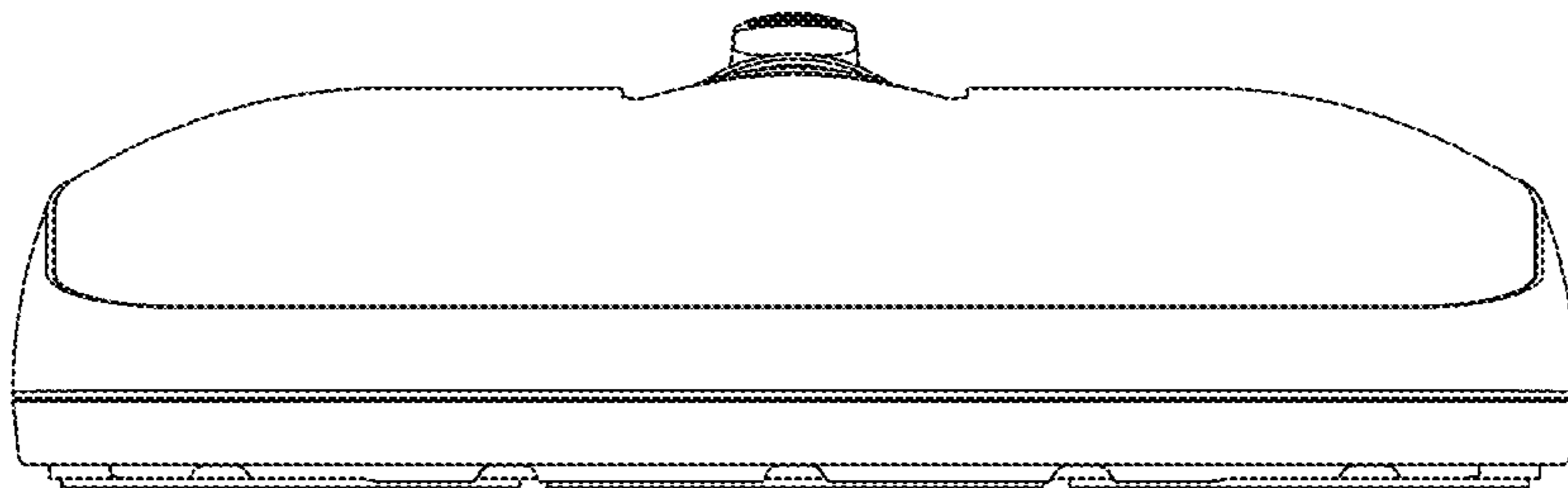
1.1



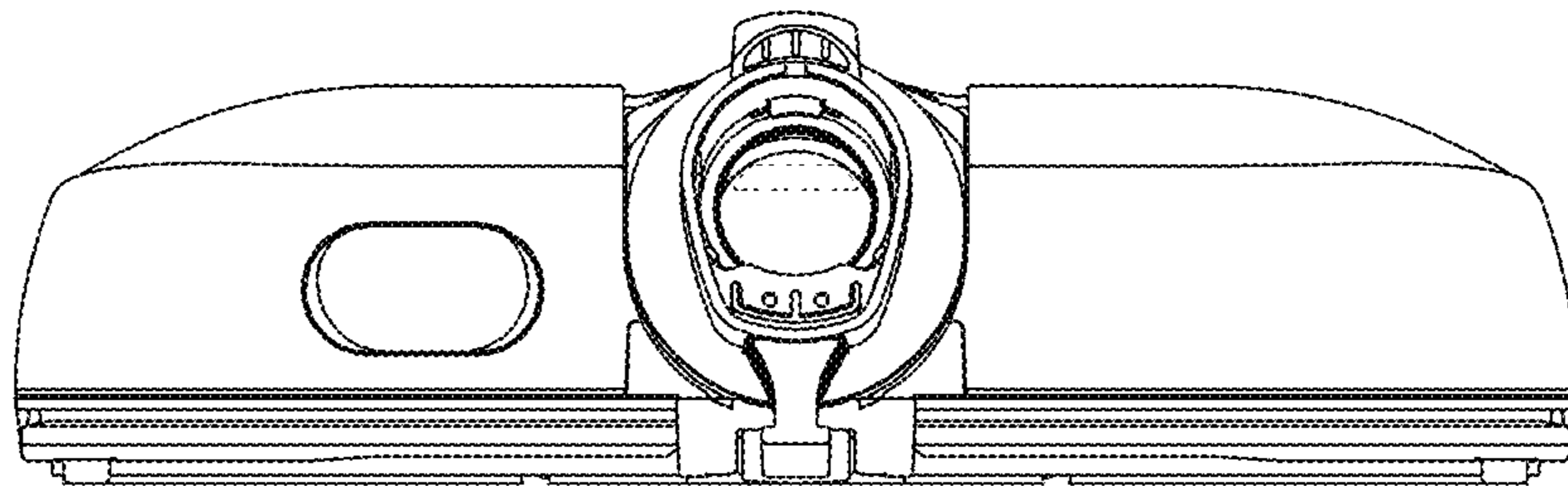
1.2



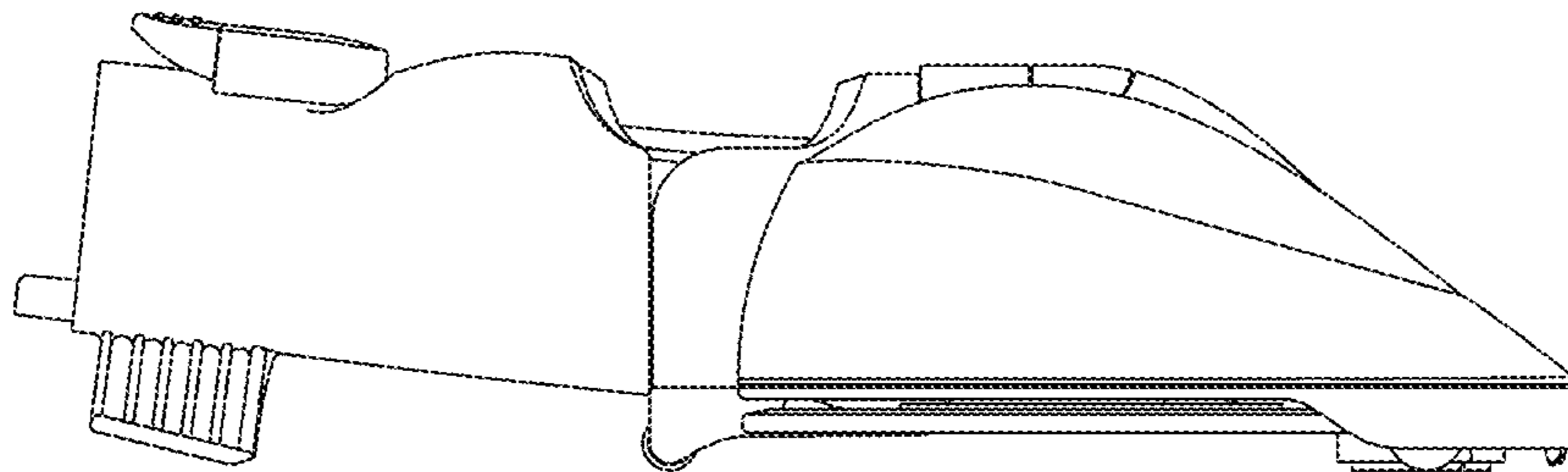
1.3



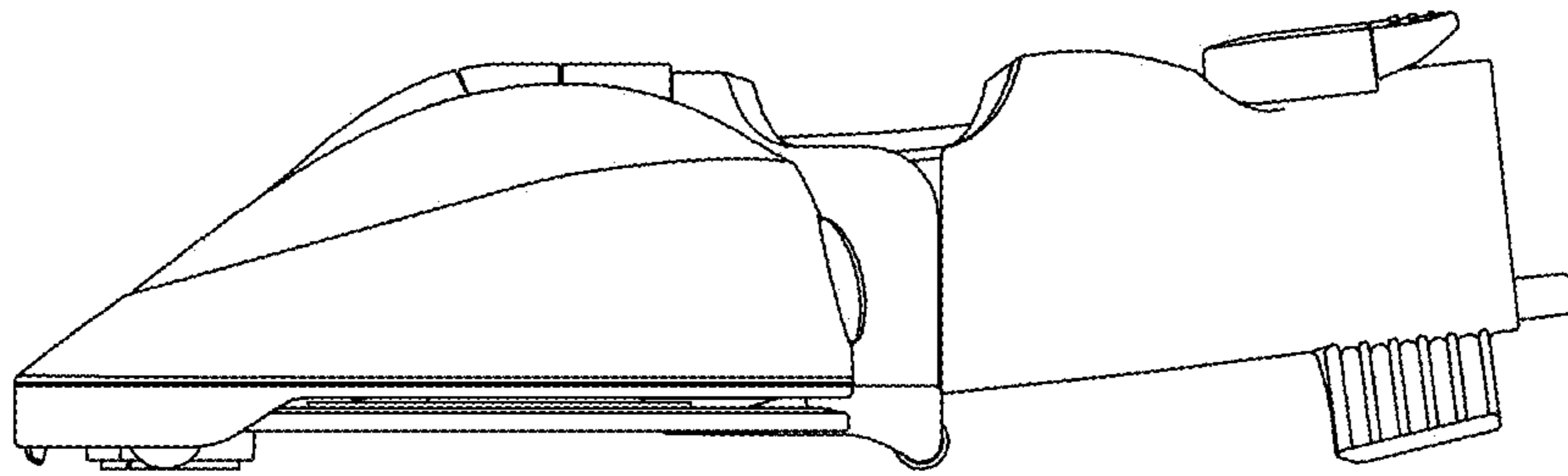
1.4



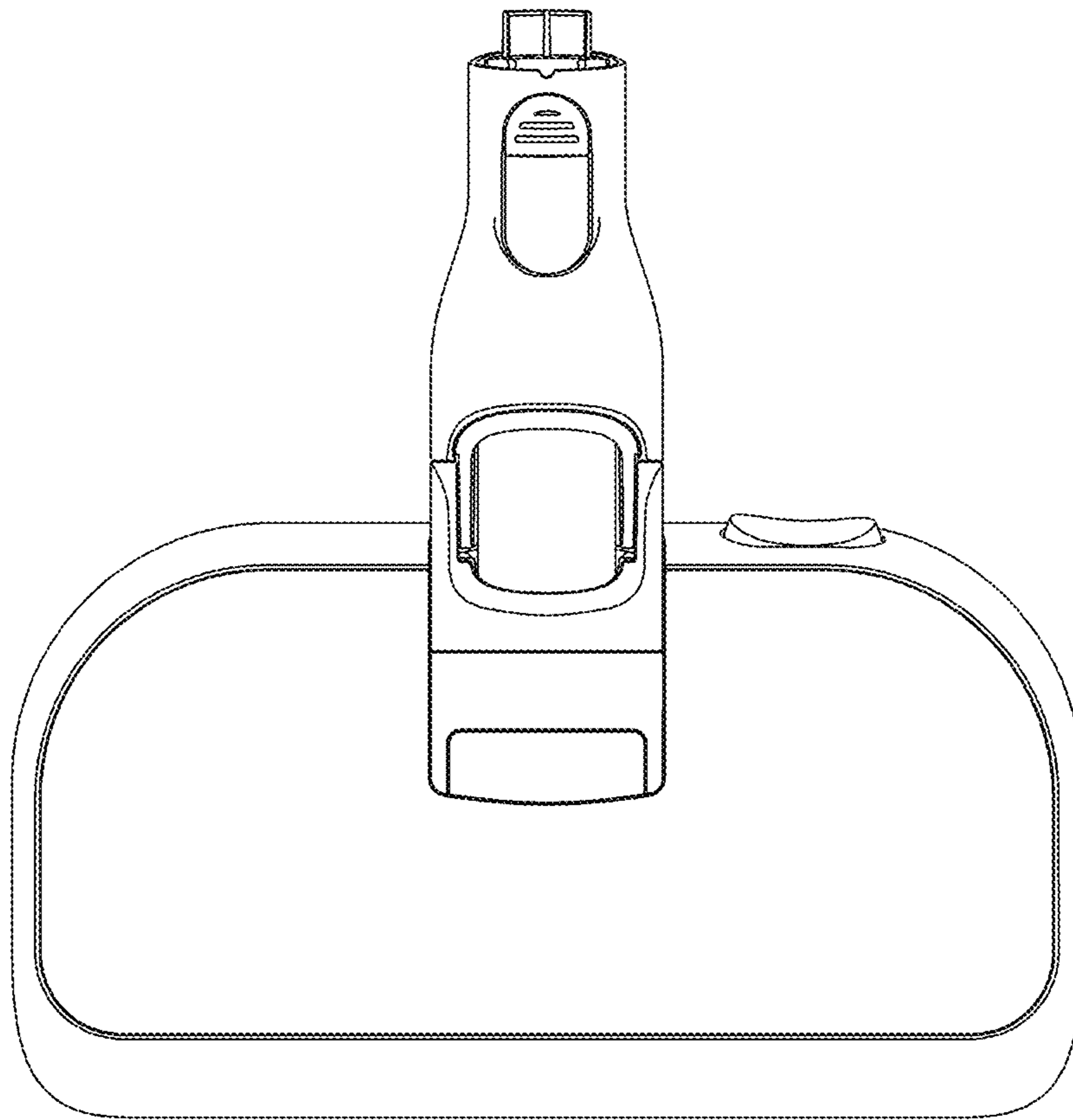
1.5



1.6



1.7



1.8

