



US00D901110S

(12) **United States Design Patent**  
**Li et al.**

(10) **Patent No.:** **US D901,110 S**

(45) **Date of Patent:** **\*\* Nov. 3, 2020**

(54) **ROBOT CLEANER**

(71) Applicant: **Beijing Xiaomi Mobile Software Co., Ltd., Beijing (CN)**

(72) Inventors: **Ningning Li, Beijing (CN); Ying Shen, Beijing (CN); Lei Zhang, Beijing (CN); Wenbo Dou, Beijing (CN)**

(73) Assignee: **Beijing Xiaomi Mobile Software Co., Ltd., Beijing (CN)**

(\*\*) Term: **15 Years**

(21) Appl. No.: **35/507,662**

(22) Filed: **May 7, 2019**

(80) **Hague Agreement Data**

Int. Filing Date: **May 7, 2019**

Int. Reg. No.: **DM/203612**

Int. Reg. Date: **May 7, 2019**

Int. Reg. Pub. Date: **Nov. 8, 2019**

(30) **Foreign Application Priority Data**

Nov. 8, 2018 (CN) ..... 2018 3 0631169

(51) **LOC (12) Cl.** ..... **15-05**

(52) **U.S. Cl.**  
USPC ..... **D32/21**  
CPC ..... **A47L 9/009 (2013.01)**

(58) **Field of Classification Search**  
USPC ..... D32/21, 23, 31; 15/319.353, 320, 339, 15/340.1, 383, 363, 340.4, 246.2, 384, 15/388, 392, 49.1; 180/6.2; 318/568.12; 901/1  
CPC ..... A47L 9/009; A47L 2201/04  
See application file for complete search history.

(56) **References Cited**

**U.S. PATENT DOCUMENTS**

D453,402 S \* 2/2002 Kato ..... D32/1  
D473,354 S \* 4/2003 Kato ..... D32/1

D524,495 S \* 7/2006 Ljunggren ..... D32/21  
D548,411 S \* 8/2007 Schroter ..... D32/21  
D551,815 S \* 9/2007 Schroeter ..... D32/21  
D555,305 S \* 11/2007 Chun ..... D32/21  
D555,307 S \* 11/2007 Chun ..... D32/31  
D659,311 S \* 5/2012 Geringer ..... D32/21  
D660,530 S \* 5/2012 Geringer ..... D32/21  
D670,877 S \* 11/2012 Geringer ..... D32/21  
D704,400 S \* 5/2014 Shin ..... D32/21  
D720,510 S \* 12/2014 Shin ..... D32/21  
D720,511 S \* 12/2014 Shin ..... D32/21  
D737,008 S \* 8/2015 Cheon ..... D32/31  
D744,181 S \* 11/2015 Cheon ..... D32/31  
D744,183 S \* 11/2015 Cheon ..... D32/31  
D744,709 S \* 12/2015 Cheon ..... D32/31  
D745,233 S \* 12/2015 Choi ..... D32/31  
D745,757 S \* 12/2015 Choi ..... D32/21  
D746,005 S \* 12/2015 Cheon ..... D32/21  
D751,260 S \* 3/2016 Kim ..... D32/21  
D751,777 S \* 3/2016 Cheon ..... D32/21

(Continued)

**OTHER PUBLICATIONS**

Indian Patent Office, Office Action Issued in Application No. 317525-001, dated Jun. 25, 2019, 12 pages.

*Primary Examiner* — Richard E Chilcot

(74) *Attorney, Agent, or Firm* — Syncoda LLC; Feng Ma

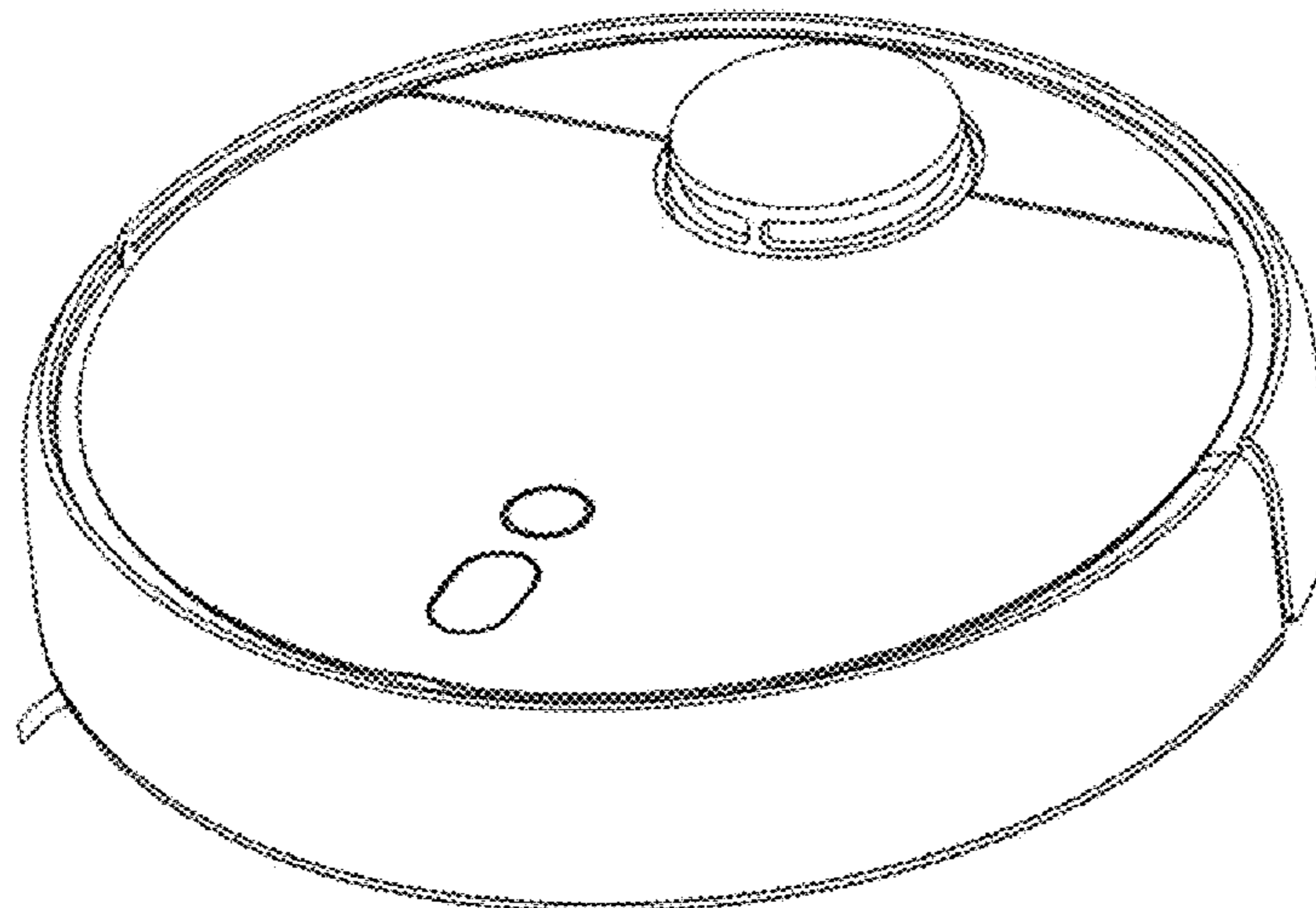
(57) **CLAIM**

The ornamental design for a robot cleaner, as shown and described.

**DESCRIPTION**

- 1. Robot cleaner
- 1.1 : Perspective view 1
- 1.2 : Perspective view 2
- 1.3 : Front
- 1.4 : Back
- 1.5 : Top
- 1.6 : Bottom
- 1.7 : Left
- 1.8 : Right

**1 Claim, 8 Drawing Sheets**



(56)

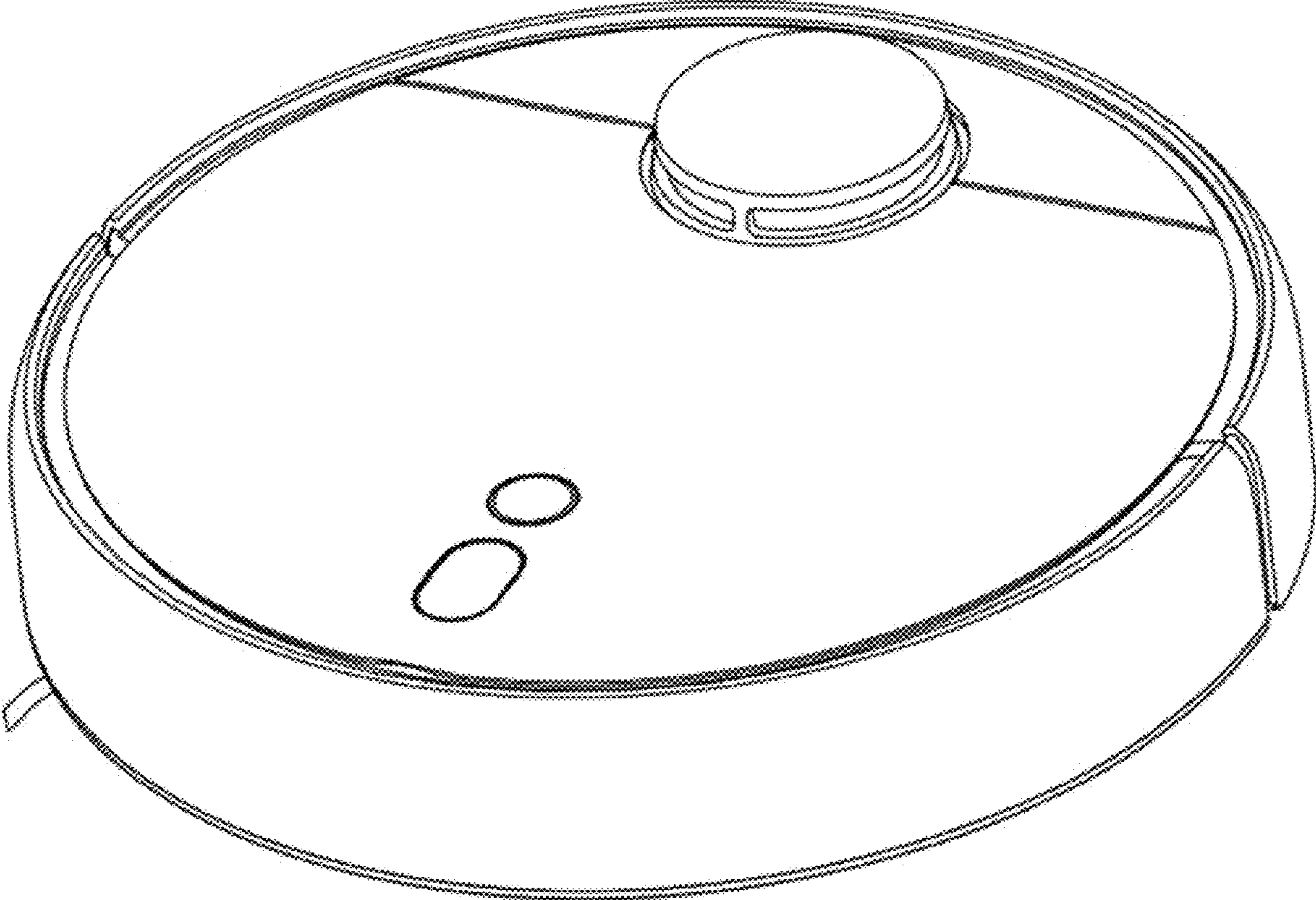
**References Cited**

U.S. PATENT DOCUMENTS

D752,300	S	*	3/2016	Cheon	.....	D32/31
D766,524	S	*	9/2016	Ochi	.....	D32/21
D771,885	S	*	11/2016	Caruso	.....	D32/21
D773,758	S	*	12/2016	Caruso	.....	D32/21
D778,514	S	*	2/2017	Park	.....	D32/21
2006/0236492	A1	*	10/2006	Sudo	.....	A47L 11/4044
						15/319
2012/0047676	A1	*	3/2012	Jung	.....	A47L 9/30
						15/319
2013/0025085	A1	*	1/2013	Kim	.....	A47L 9/2857
						15/319
2013/0152332	A1	*	6/2013	Jang	.....	A47L 9/0488
						15/319
2013/0340201	A1	*	12/2013	Jang	.....	A47L 9/009
						15/319

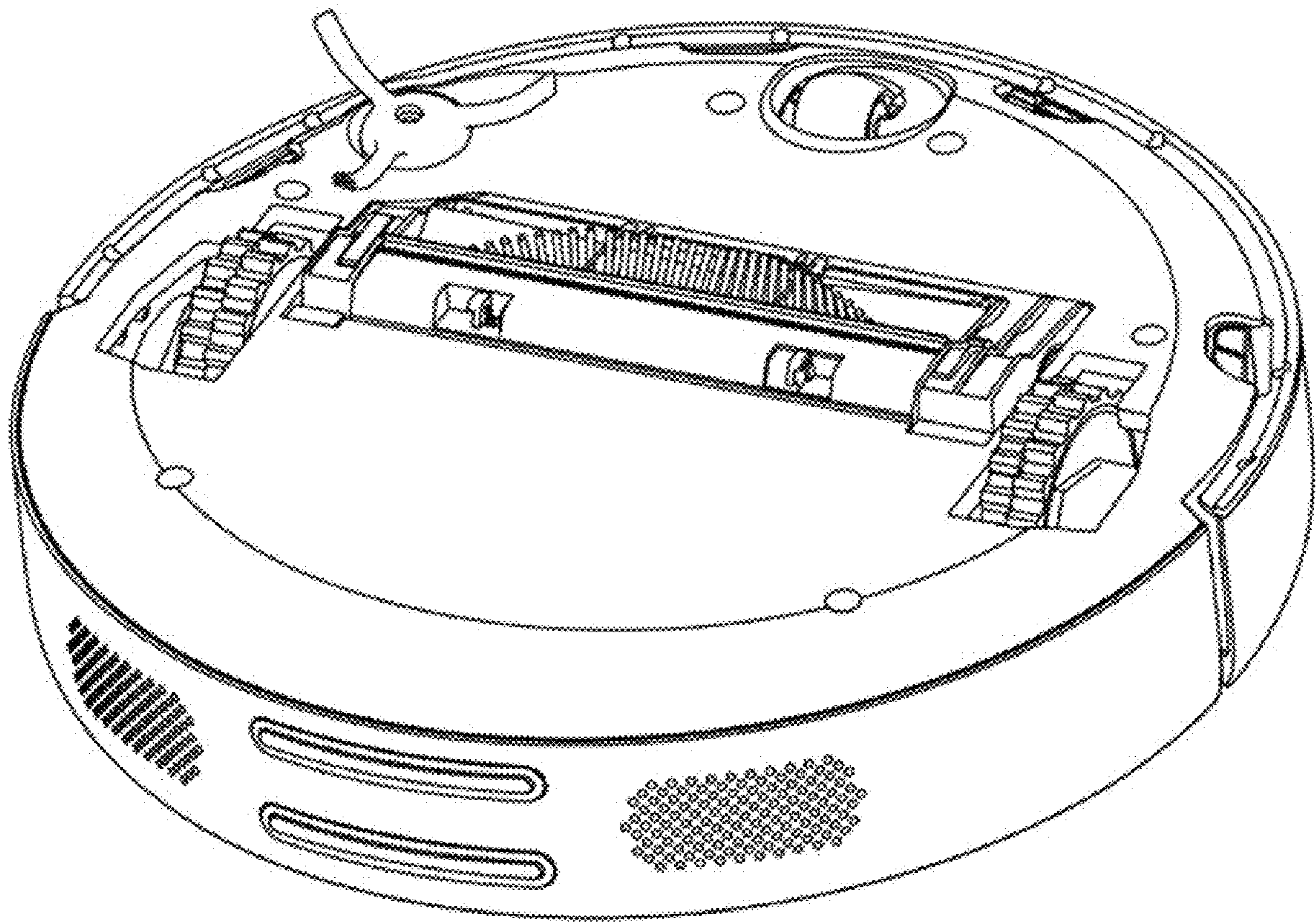
\* cited by examiner

1.1

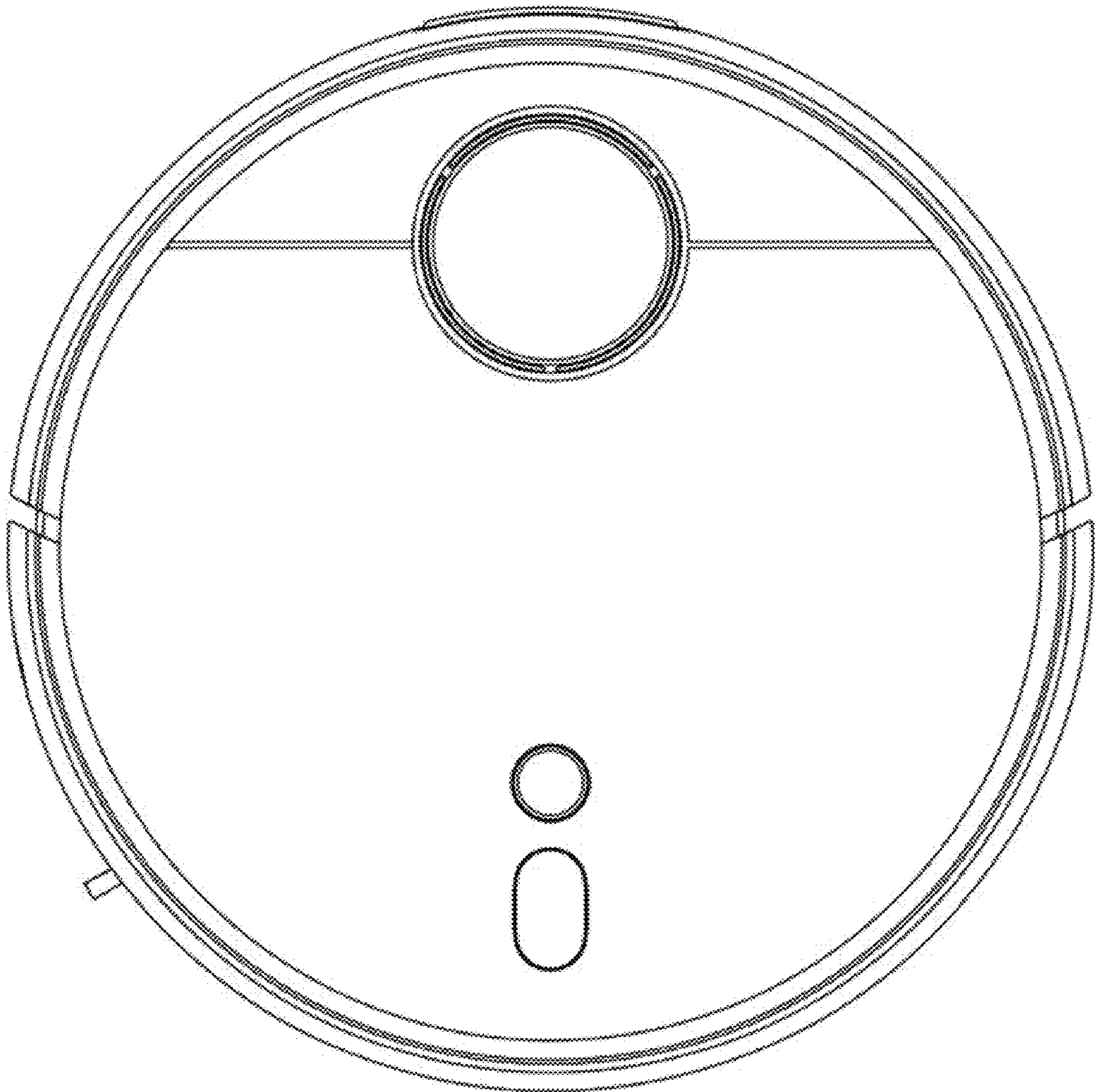




1.2

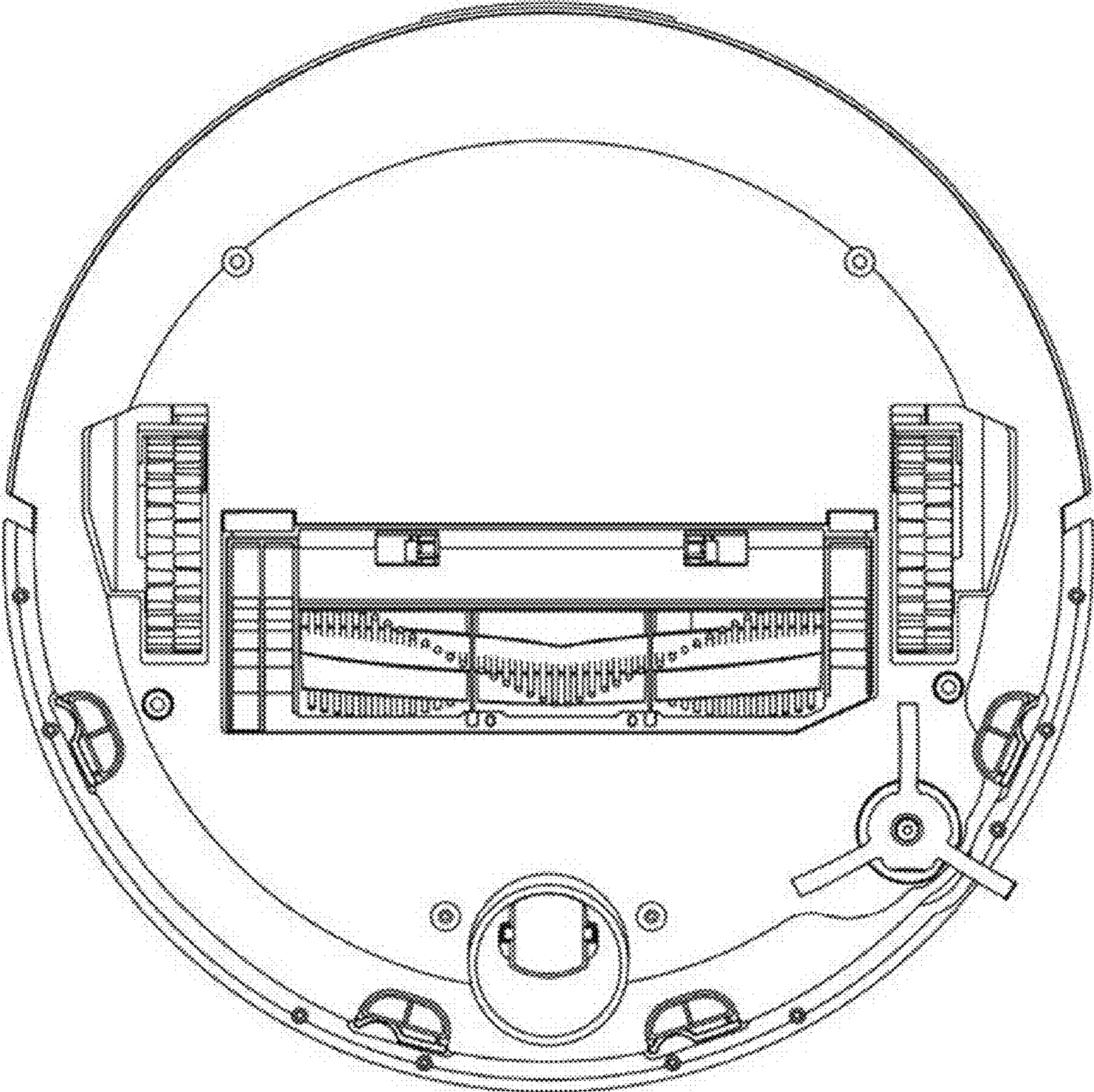


1.3

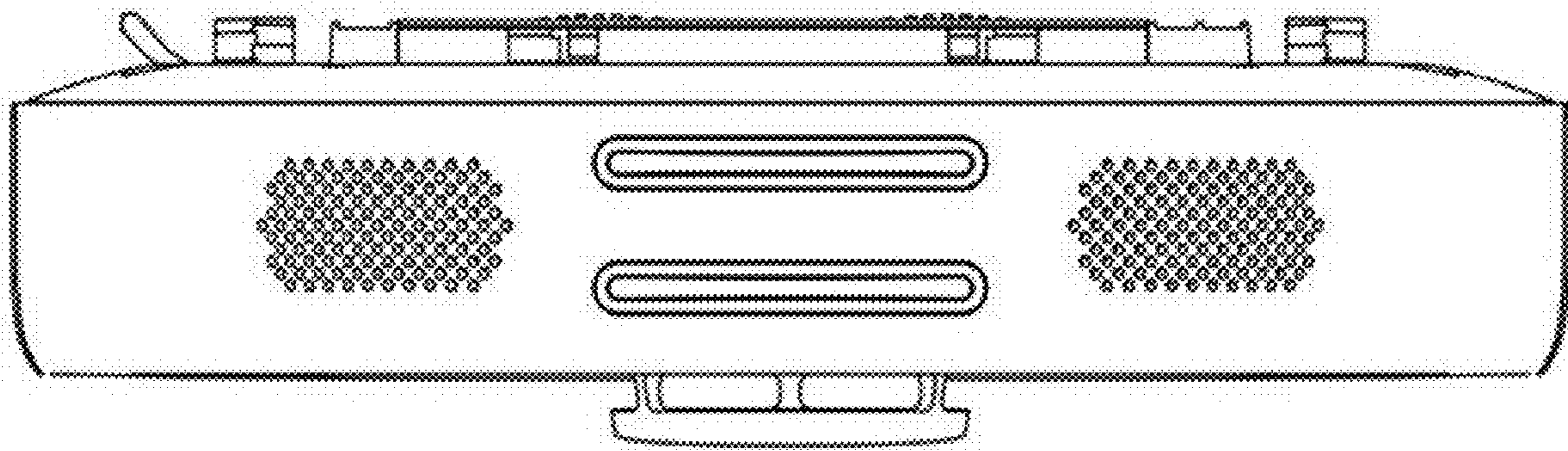




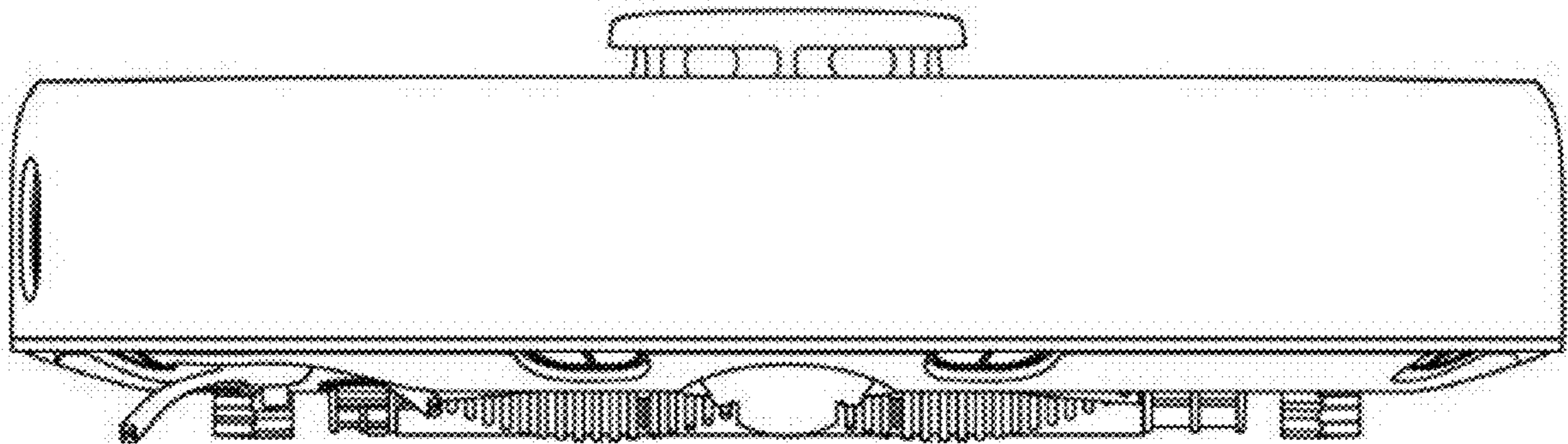
1.4



1.5

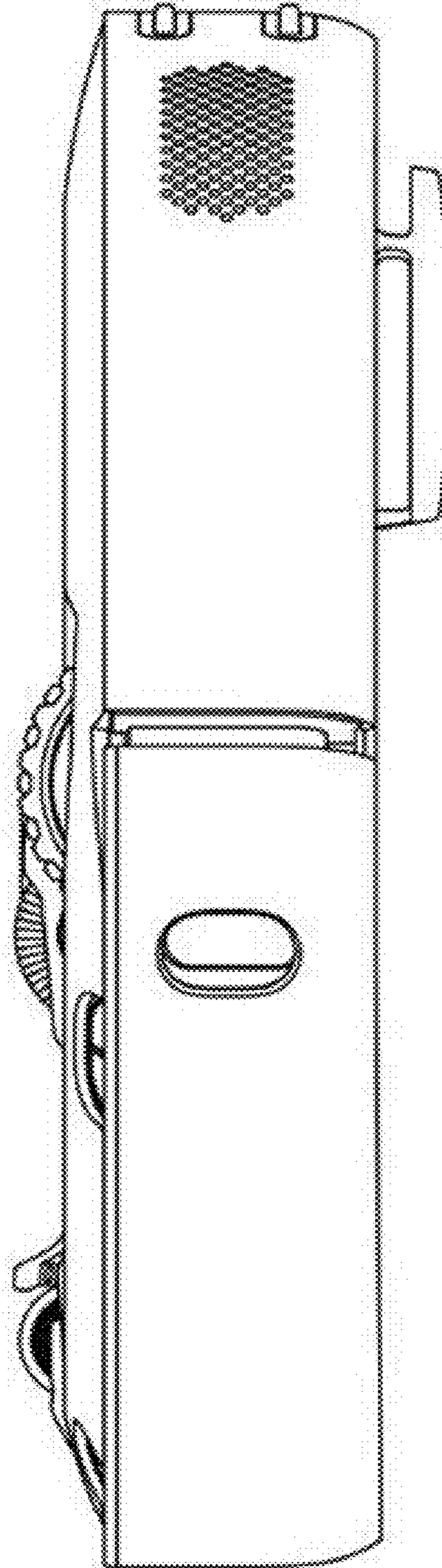


1.6





1.7



# 1.8

