



US00D901109S

(12) **United States Design Patent** (10) **Patent No.:** **US D901,109 S**
Chen (45) **Date of Patent:** **** Nov. 3, 2020**

(54) **VACUUM CLEANER**
(71) Applicant: **KUNMING JINGZHUO E-COMMERCE CO., LTD**, Kunming (CN)
(72) Inventor: **Bingzhu Chen**, Kunming (CN)
(73) Assignee: **KUNMING JINGZHUO E-COMMERCE CO., LTD**, Kunming (CN)
(**) Term: **15 Years**
(21) Appl. No.: **29/740,518**
(22) Filed: **Jul. 6, 2020**
(51) **LOC (12) Cl.** **15-05**
(52) **U.S. Cl.**
USPC **D32/18**
(58) **Field of Classification Search**
USPC D32/17-18, 31, 22, 34
CPC ... A47L 5/24; A47L 5/26; A47L 5/362; A47L 5/36; A47L 5/28; A47L 9/102; A47L 9/1683; A47L 9/32
See application file for complete search history.

(56) **References Cited**
U.S. PATENT DOCUMENTS
D480,847 S 10/2003 Fujii
D495,454 S * 8/2004 Lee D32/18
D620,652 S * 7/2010 Butts D32/18
D731,136 S * 6/2015 Yun D32/34
D731,724 S * 6/2015 Cheon D32/34
D738,584 S * 9/2015 Niedzwecki D32/22
D740,502 S * 10/2015 Janda D32/18

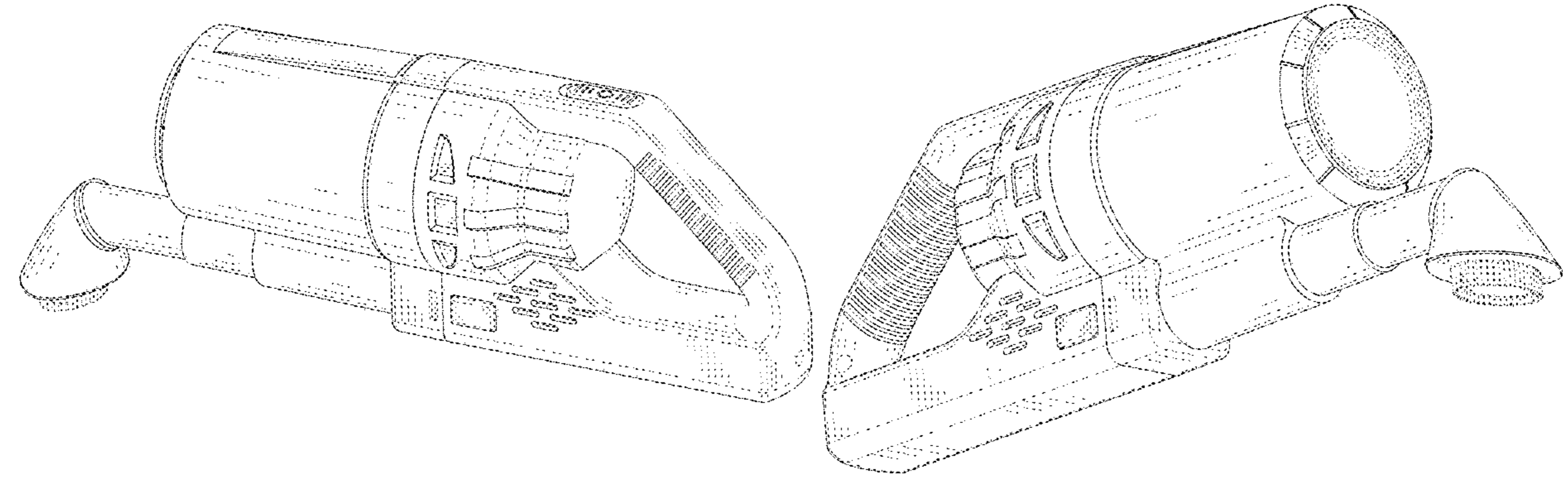
D770,111 S * 10/2016 Lee D32/34
D771,890 S * 11/2016 Kim D32/34
D789,626 S 6/2017 Bloemendaal
9,675,218 B2 * 6/2017 Kim A47L 5/24
D792,040 S * 7/2017 Meyer D32/22
D804,114 S * 11/2017 Kim D32/18
D812,327 S * 3/2018 Houghton D32/18
D827,231 S 8/2018 Ward et al.
D844,264 S * 3/2019 Irfan A47L 5/26
D855,915 S * 8/2019 Kim D32/18
D865,304 S * 10/2019 Sugie D32/34
D867,694 S * 11/2019 Ma D32/18
D874,759 S * 2/2020 Tang D32/18
D880,086 S * 3/2020 Tan D32/18
D891,014 S * 7/2020 Chu D32/18

* cited by examiner
Primary Examiner — Michelle E. Wilson

(57) **CLAIM**
The ornamental design for a vacuum cleaner, as shown and described.

DESCRIPTION
FIG. 1 is a perspective view of a vacuum cleaner showing my new design;
FIG. 2 is another perspective view thereof;
FIG. 3 is a front elevational view thereof
FIG. 4 is a rear elevational view thereof;
FIG. 5 is a left side elevational view thereof;
FIG. 6 is a right side elevational view thereof;
FIG. 7 is a top plan view thereof; and,
FIG. 8 is a bottom plan view thereof.
The broken lines in the drawings depict portions of the vacuum cleaner that form no part of the claimed design.

1 Claim, 8 Drawing Sheets



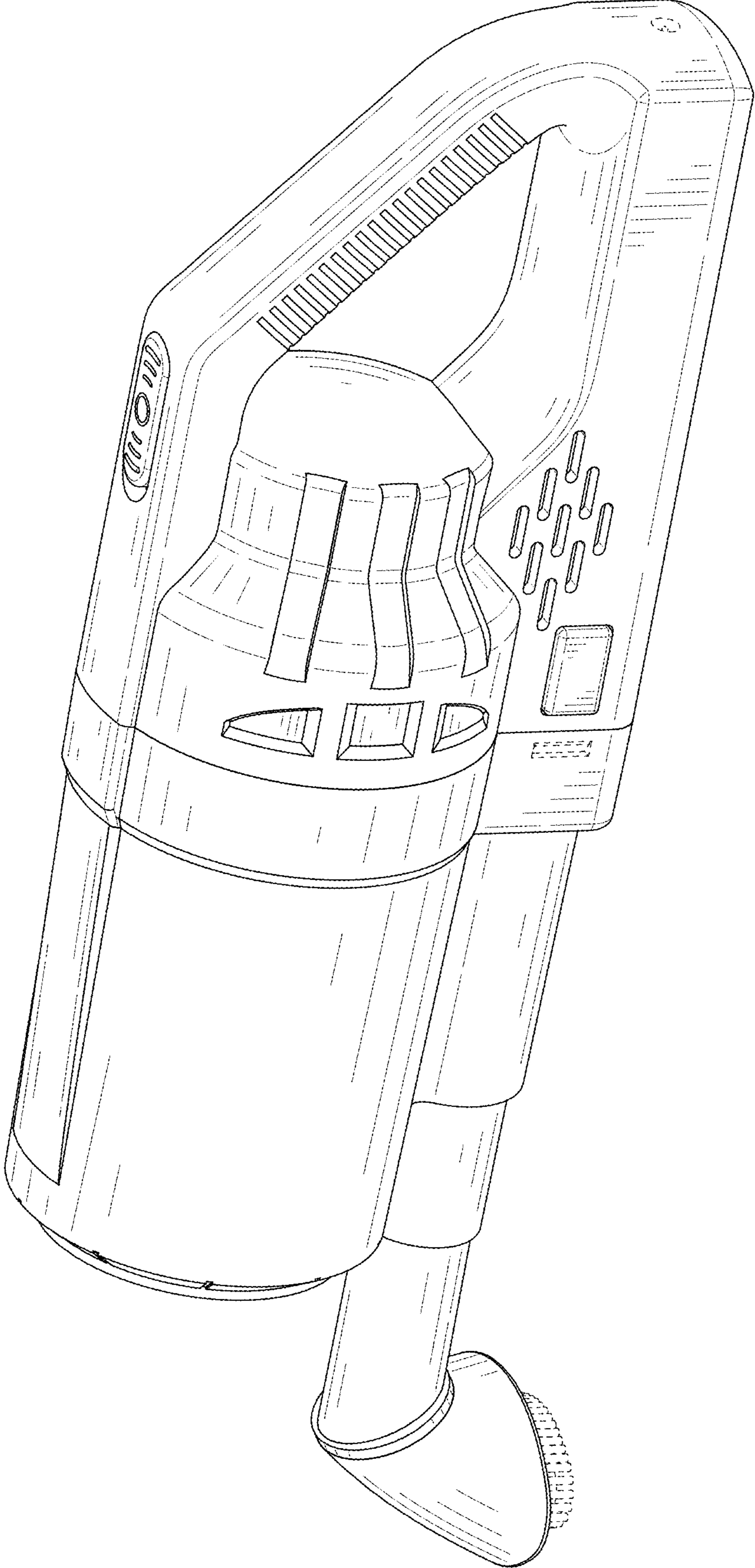


FIG. 1

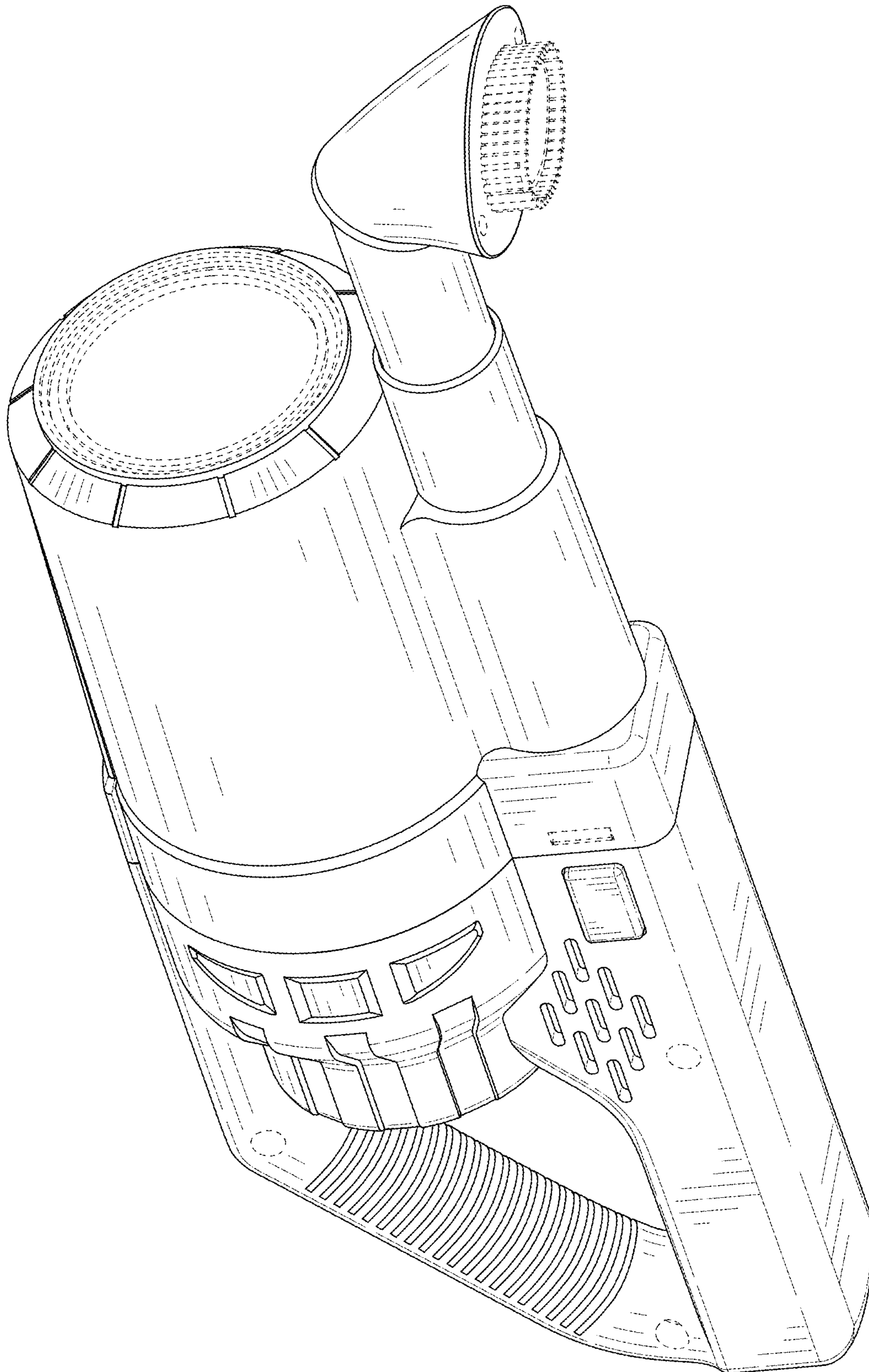


FIG. 2

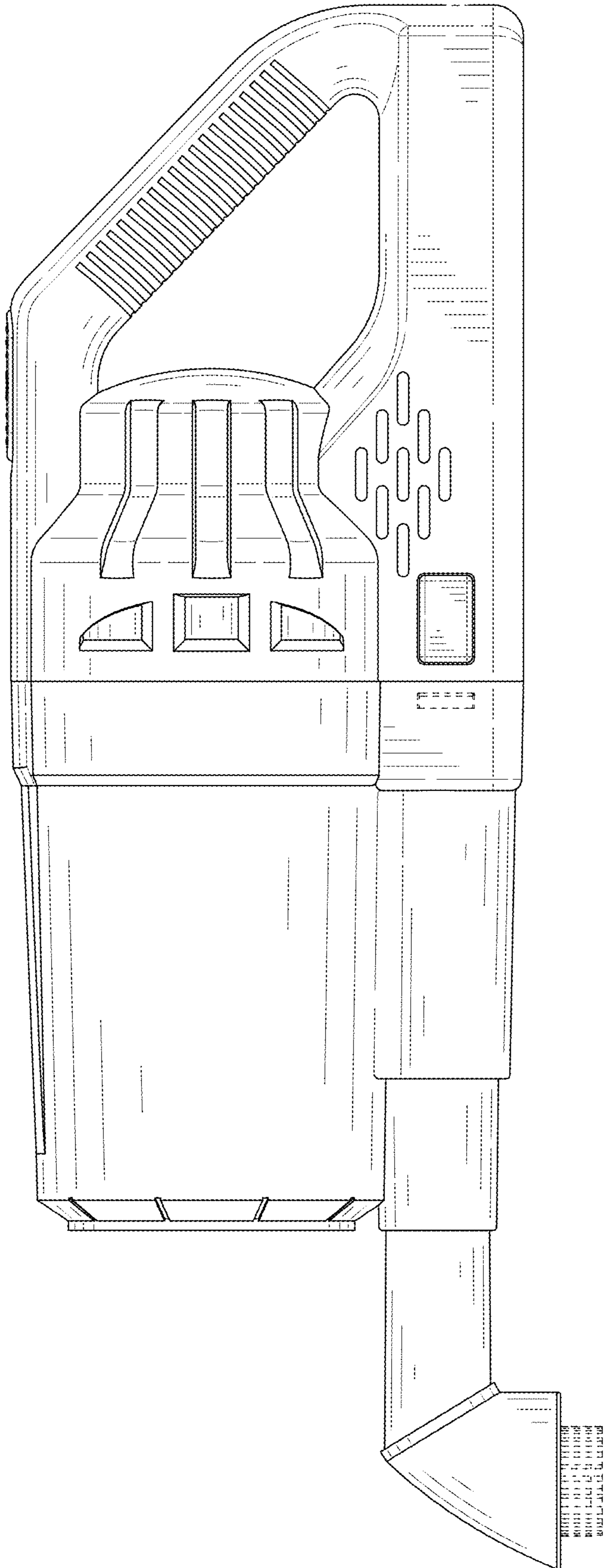


FIG. 3

FIG. 3

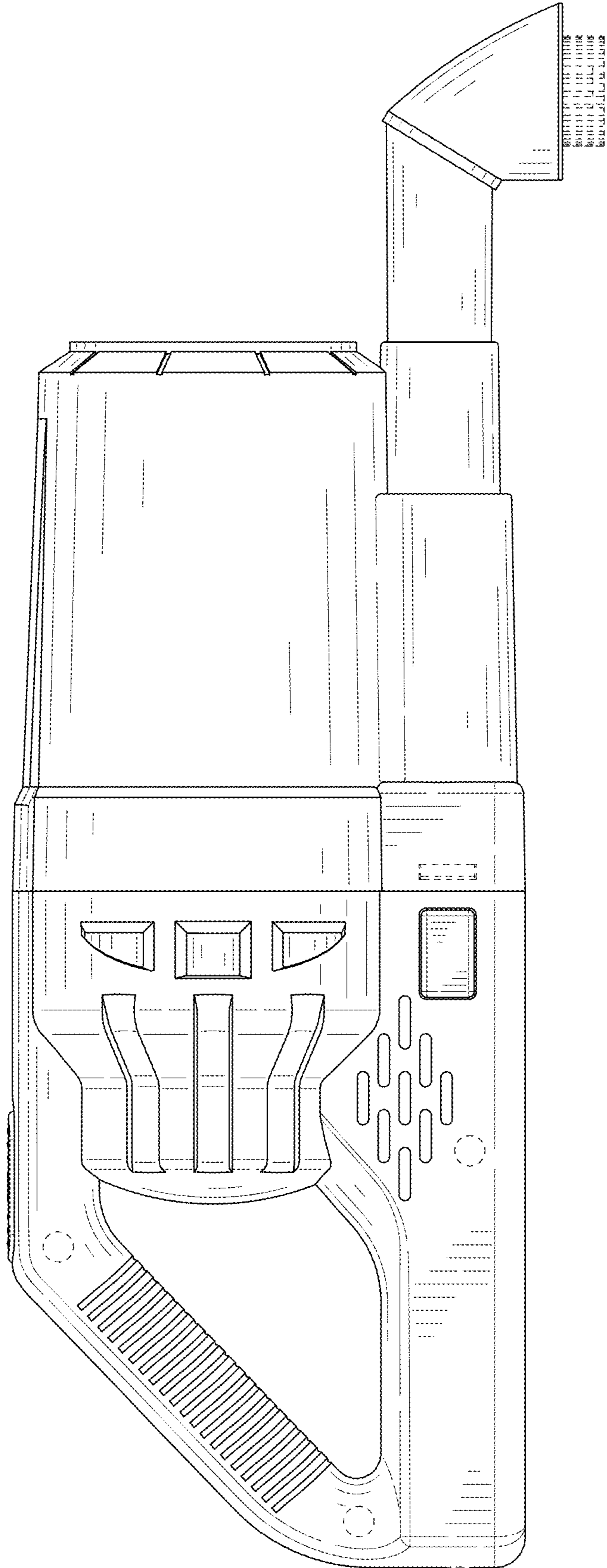


FIG. 4

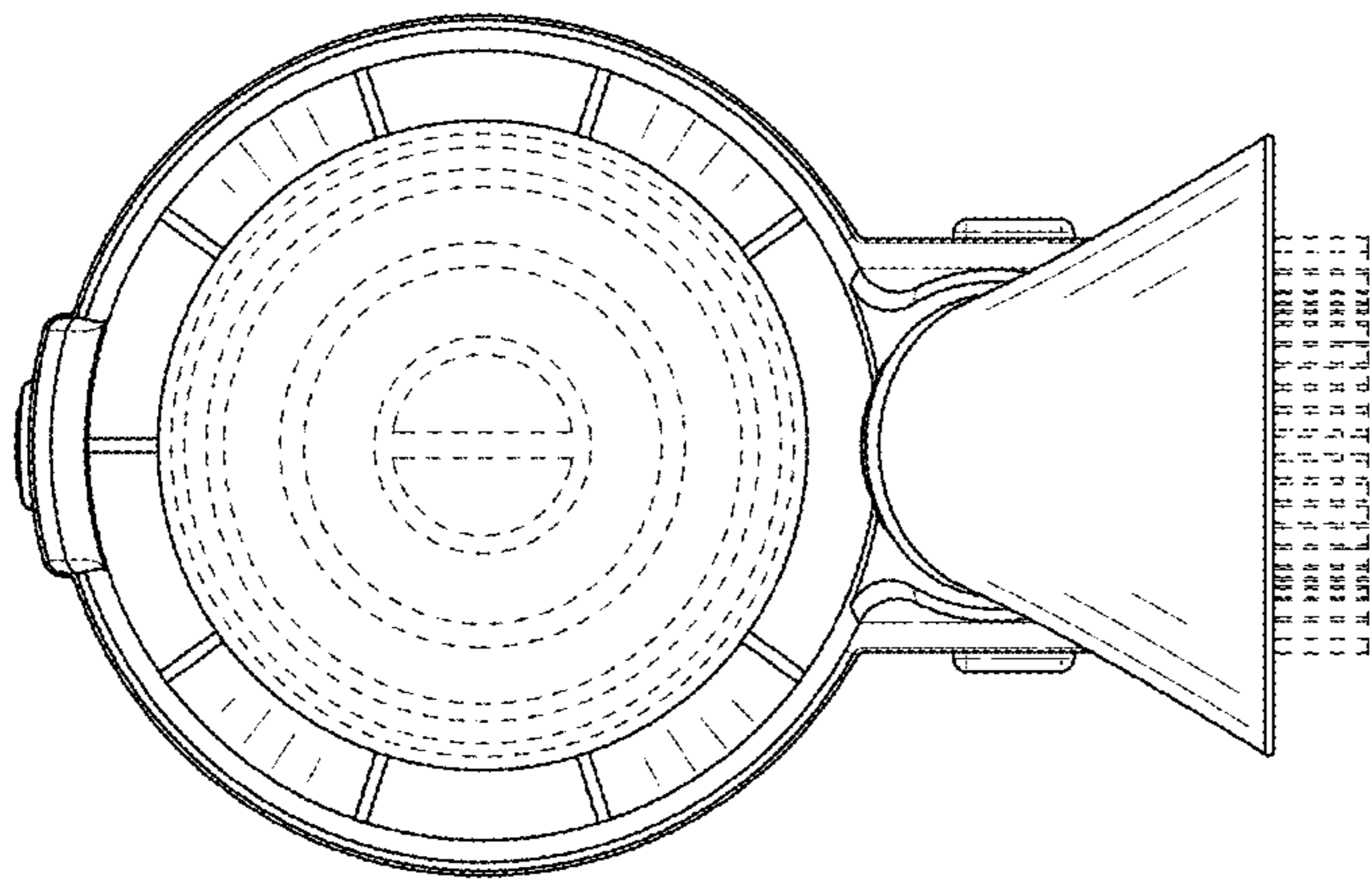


FIG. 5

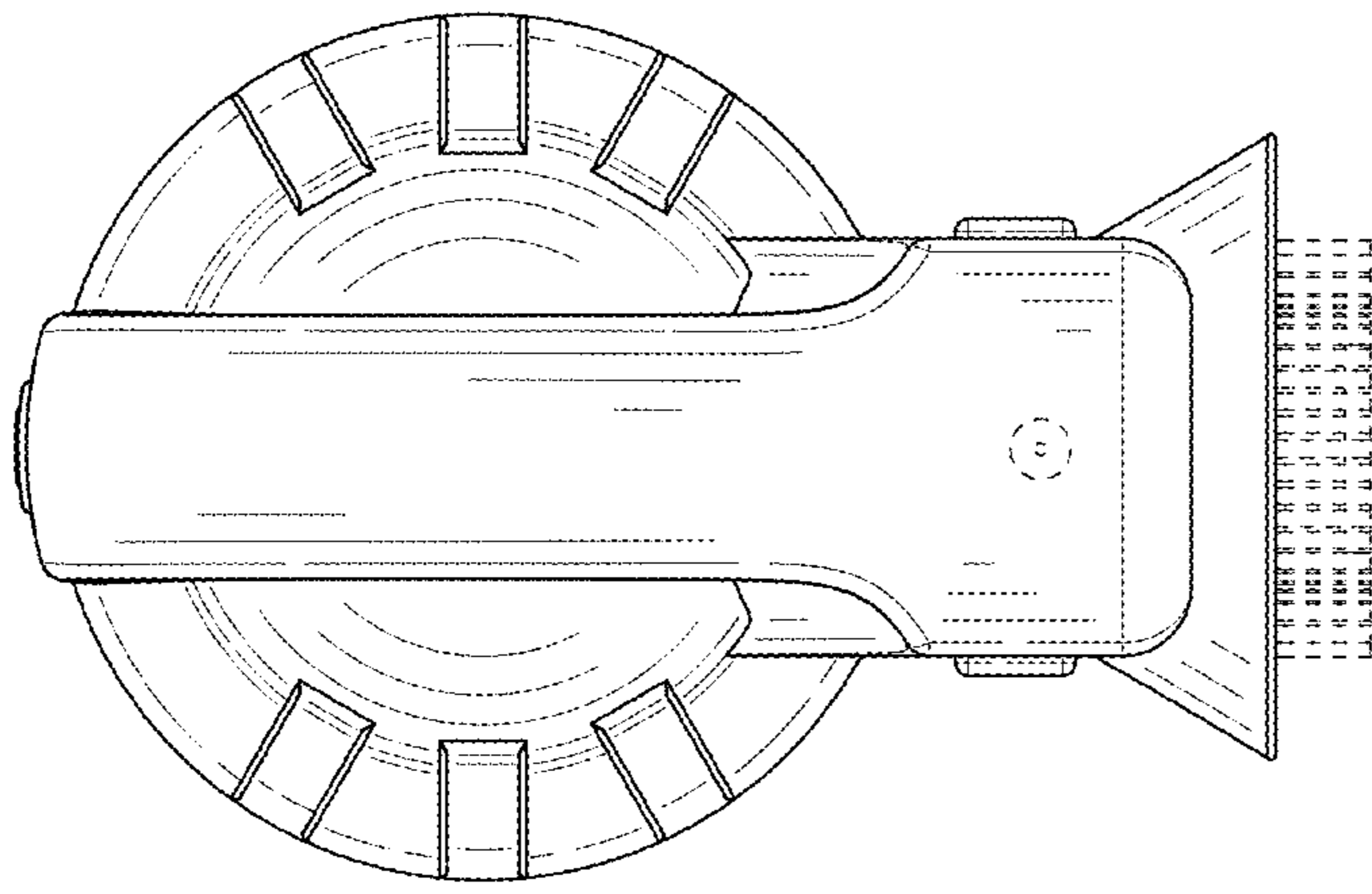


FIG. 6

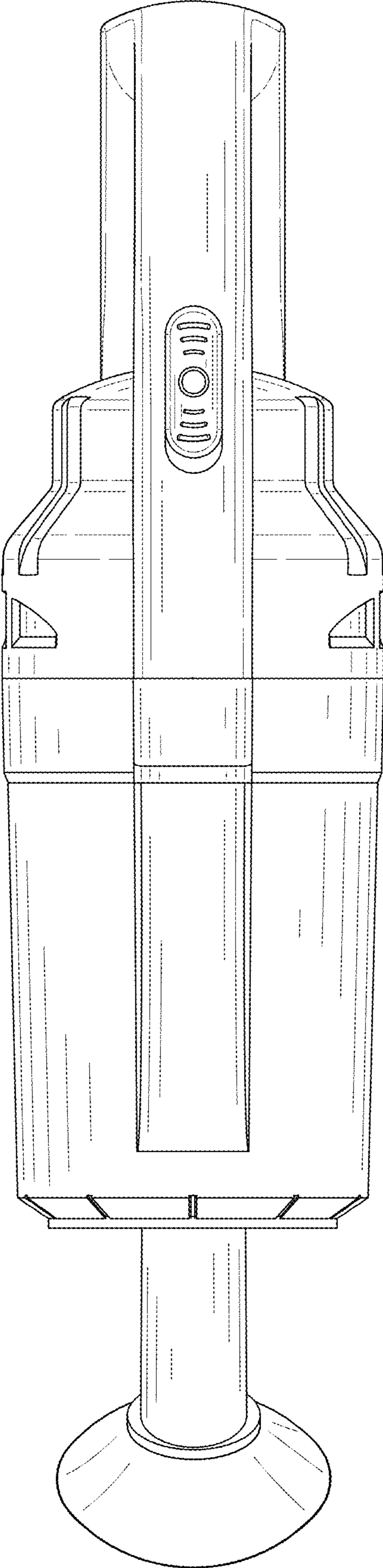


FIG. 7

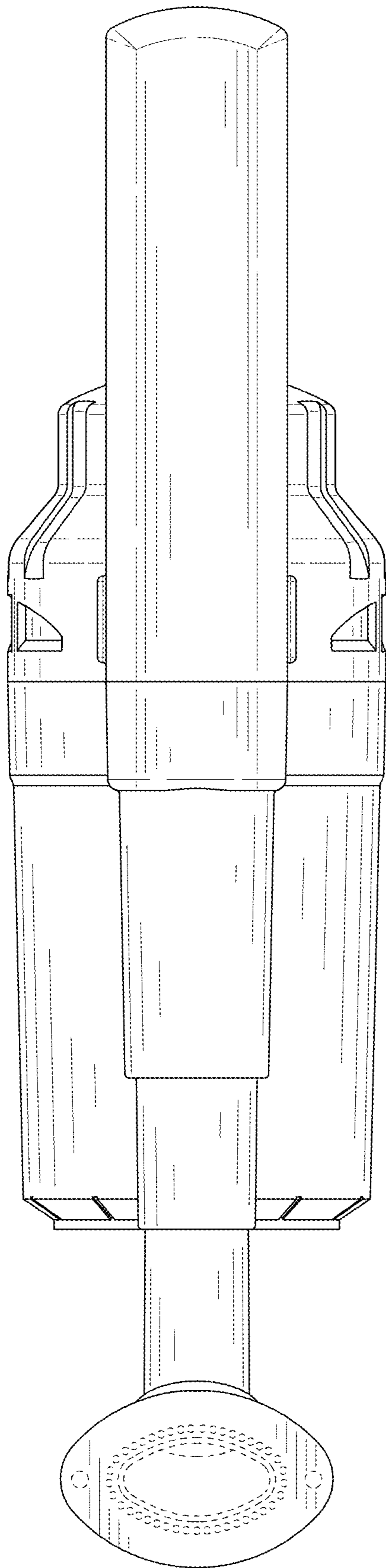


FIG. 8