



US00D901108S

(12) **United States Design Patent** (10) **Patent No.:** **US D901,108 S**
Ma (45) **Date of Patent:** **** Nov. 3, 2020**

(54) **WASHING MACHINE**

39/005; D06F 39/006; D06F 39/007;
D06F 39/024; D06F 39/12; D06F 39/14;
D06F 58/20

(71) Applicant: **BEIJING XIAOMI MOBILE SOFTWARE CO., LTD.**, Beijing (CN)

See application file for complete search history.

(72) Inventor: **Xiaokang Ma**, Beijing (CN)

(56) **References Cited**

(73) Assignee: **BEIJING XIAOMI MOBILE SOFTWARE CO., LTD.**, Beijing (CN)

U.S. PATENT DOCUMENTS

(**) Term: **15 Years**

D536,144 S *	1/2007	Seo	D32/6
D544,658 S *	6/2007	Kim	D32/6
D549,900 S *	8/2007	Kim	D32/6
D549,901 S *	8/2007	Kwon	D32/6
D552,807 S *	10/2007	Jeon	D32/6
D559,479 S *	1/2008	Kwon	D32/6

(21) Appl. No.: **35/507,054**

(Continued)

(22) Filed: **Jan. 10, 2019**

Primary Examiner — Khawaja Anwar

(80) **Hague Agreement Data**

(74) *Attorney, Agent, or Firm* — Dickinson Wright PLLC

Int. Filing Date: **Jan. 10, 2019**

Int. Reg. No.: **DM/200386**

Int. Reg. Date: **Jan. 10, 2019**

Int. Reg. Pub. Date: **Jul. 12, 2019**

(57) **CLAIM**

The ornamental design for a washing machine, as shown and described.

(30) **Foreign Application Priority Data**

DESCRIPTION

Aug. 20, 2018 (EM) 201830461528

(51) **LOC (12) Cl.** **32-03**

(52) **U.S. Cl.**
USPC **D32/6**

(58) **Field of Classification Search**
USPC D32/1, 5, 6, 8, 10, 25, 28, 29, 29.1
CPC D06F 33/02; D06F 37/22; D06F 39/02;
D06F 2058/2864; D06F 2058/287; D06F
2204/086; D06F 35/006; D06F 37/265;
D06F 37/268; D06F 58/206; D06F 58/28;
D06F 13/00; D06F 13/02; D06F 17/06;
D06F 17/10; D06F 2202/085; D06F
2202/10; D06F 2202/12; D06F 2204/04;
D06F 2204/065; D06F 2204/082; D06F
2222/00; D06F 23/04; D06F 25/00; D06F
29/005; D06F 37/02; D06F 37/04; D06F
37/14; D06F 37/203; D06F 37/206; D06F
37/225; D06F 37/24; D06F 37/267; D06F
37/28; D06F 37/36; D06F 37/40; D06F

1. Washing machine

1.1 : Front

1.2 : Back

1.3 : Left

1.4 : Right

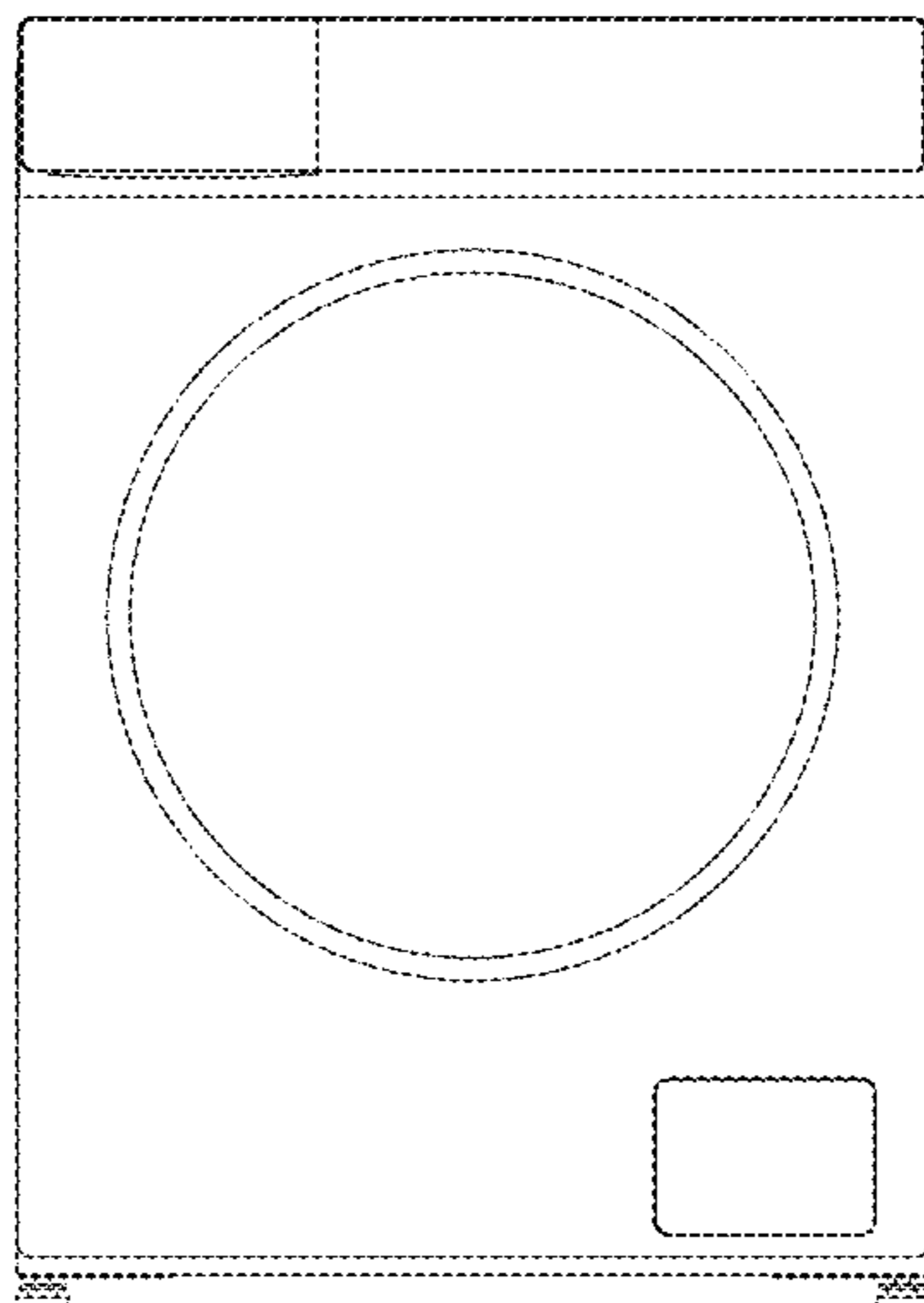
1.5 : Top

1.6 : Bottom

1.7 : Perspective

The broken lines in FIGS. 1.1-1.7 depict portions of the washing machine that form no part of the claimed design. Reproduction 1.1 is a front elevation view of a washing machine showing our new design; reproduction 1.2 is a rear elevation view thereof; reproduction 1.3 is a left side elevation view thereof; reproduction 1.4 is a right side elevation view thereof; reproduction 1.5 is a top plan view thereof; reproduction 1.6 is a bottom plan view thereof; and reproduction 1.7 is a perspective view thereof; the present product is used for washing laundry.

1 Claim, 7 Drawing Sheets



(56)

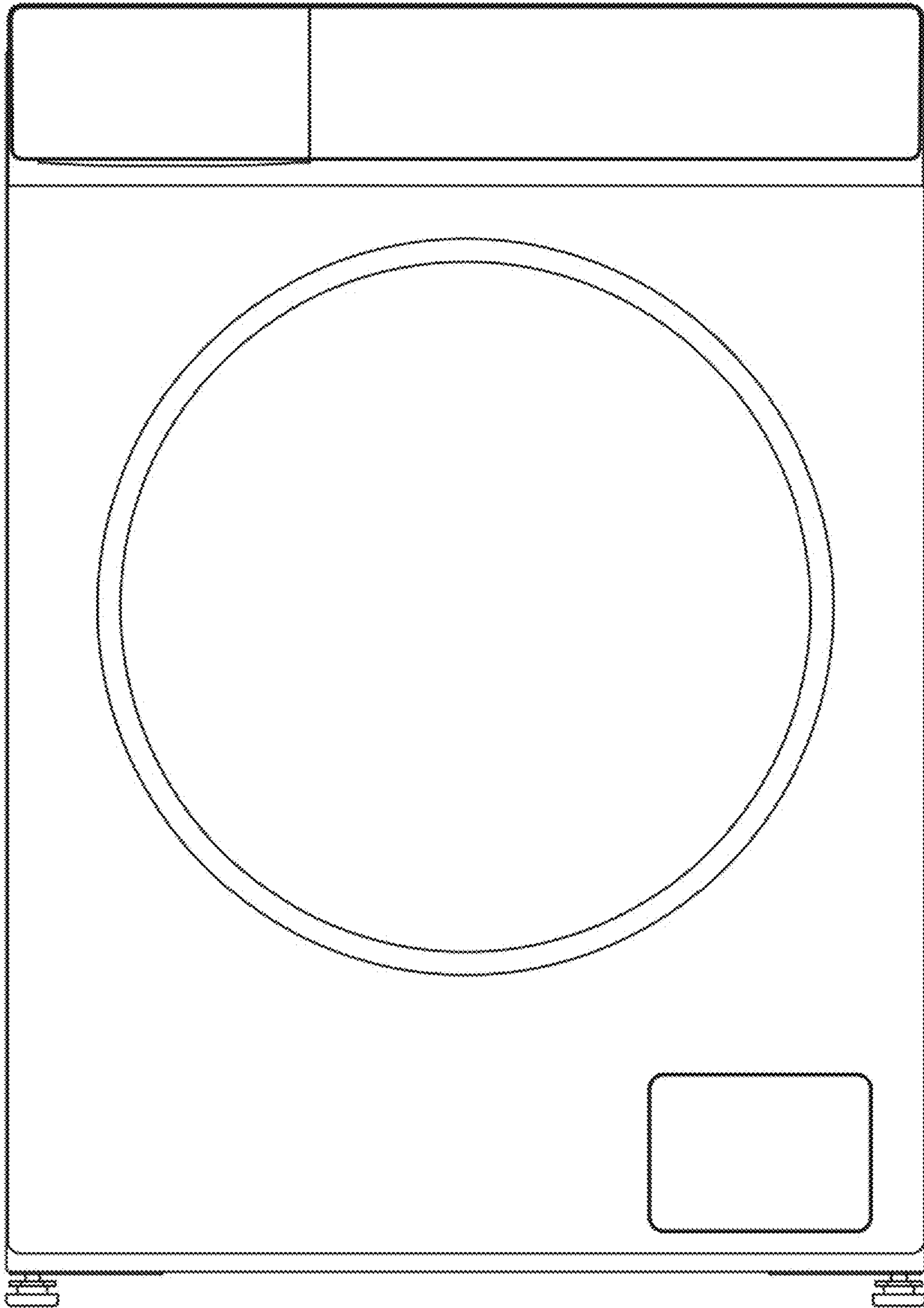
References Cited

U.S. PATENT DOCUMENTS

D631,621	S	*	1/2011	Lee	D32/6
D635,727	S	*	4/2011	Jeon	D32/6
D636,953	S	*	4/2011	Lee	D32/6
D665,543	S	*	8/2012	Kim	D32/6
D697,678	S	*	1/2014	Jeon	D32/6
D770,705	S	*	11/2016	Kang	D32/6
D772,500	S	*	11/2016	Yoon	D32/6
D793,013	S	*	7/2017	Kang	D32/6
D800,976	S	*	10/2017	Im	D32/6
D801,602	S	*	10/2017	Im	D32/6
D831,906	S	*	10/2018	Lidija	D32/6
D848,091	S	*	5/2019	Yang	D32/6
D852,440	S	*	6/2019	Huang	D32/6
D858,014	S	*	8/2019	Kim	D32/6
D860,553	S	*	9/2019	Ha	D32/6
D860,554	S	*	9/2019	Ha	D32/6
D872,392	S	*	1/2020	Kim	D32/6

* cited by examiner

1.1



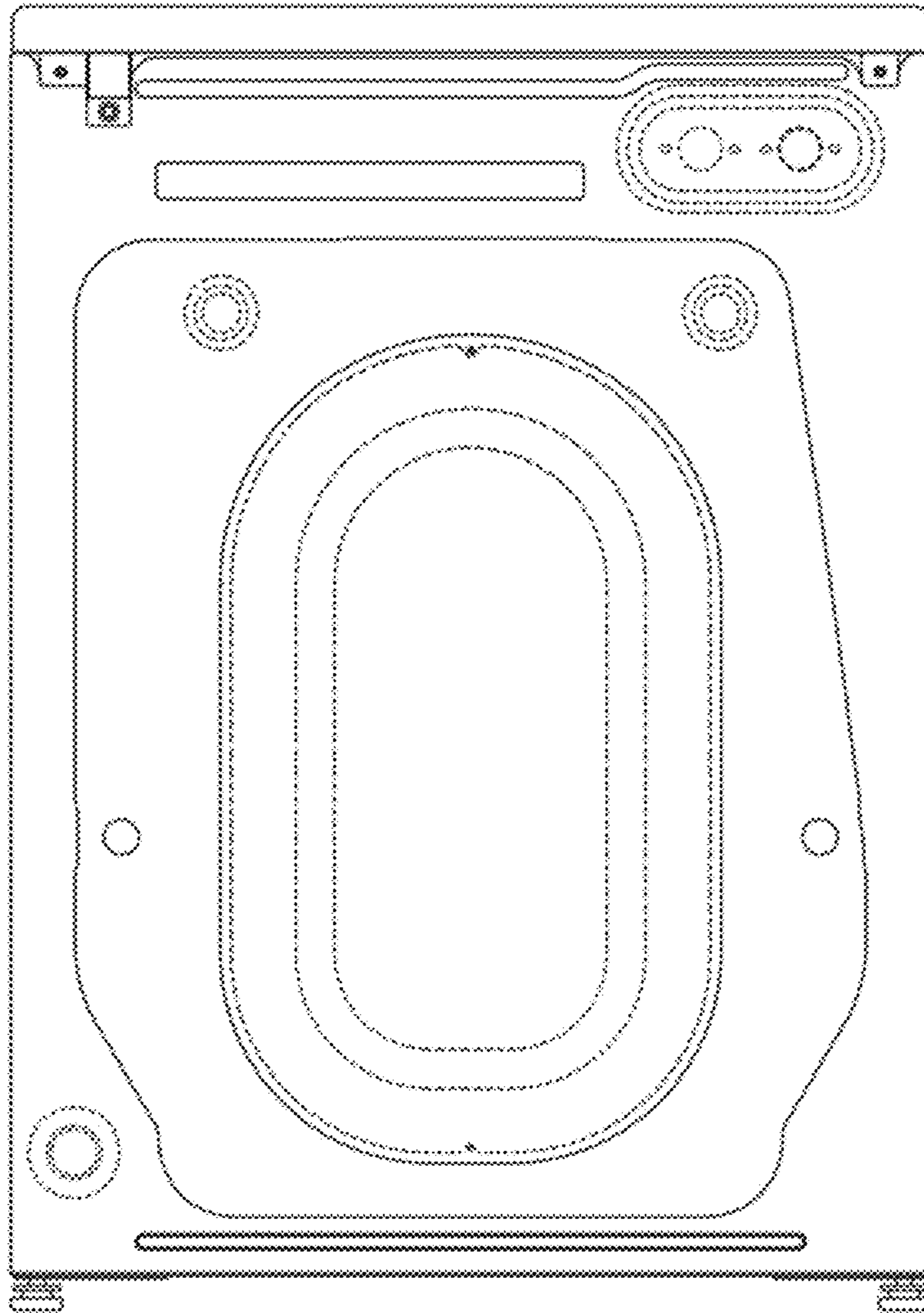
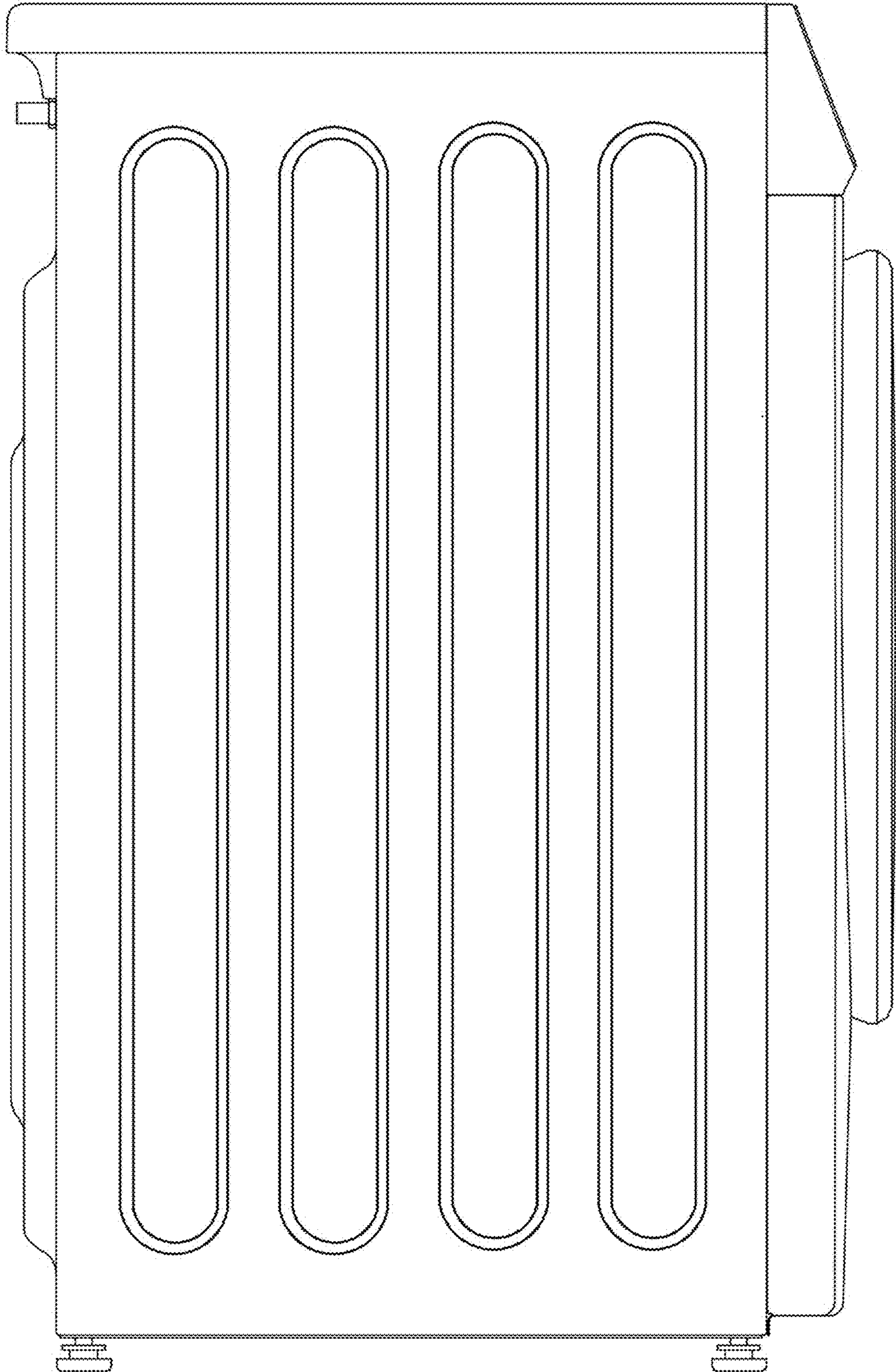
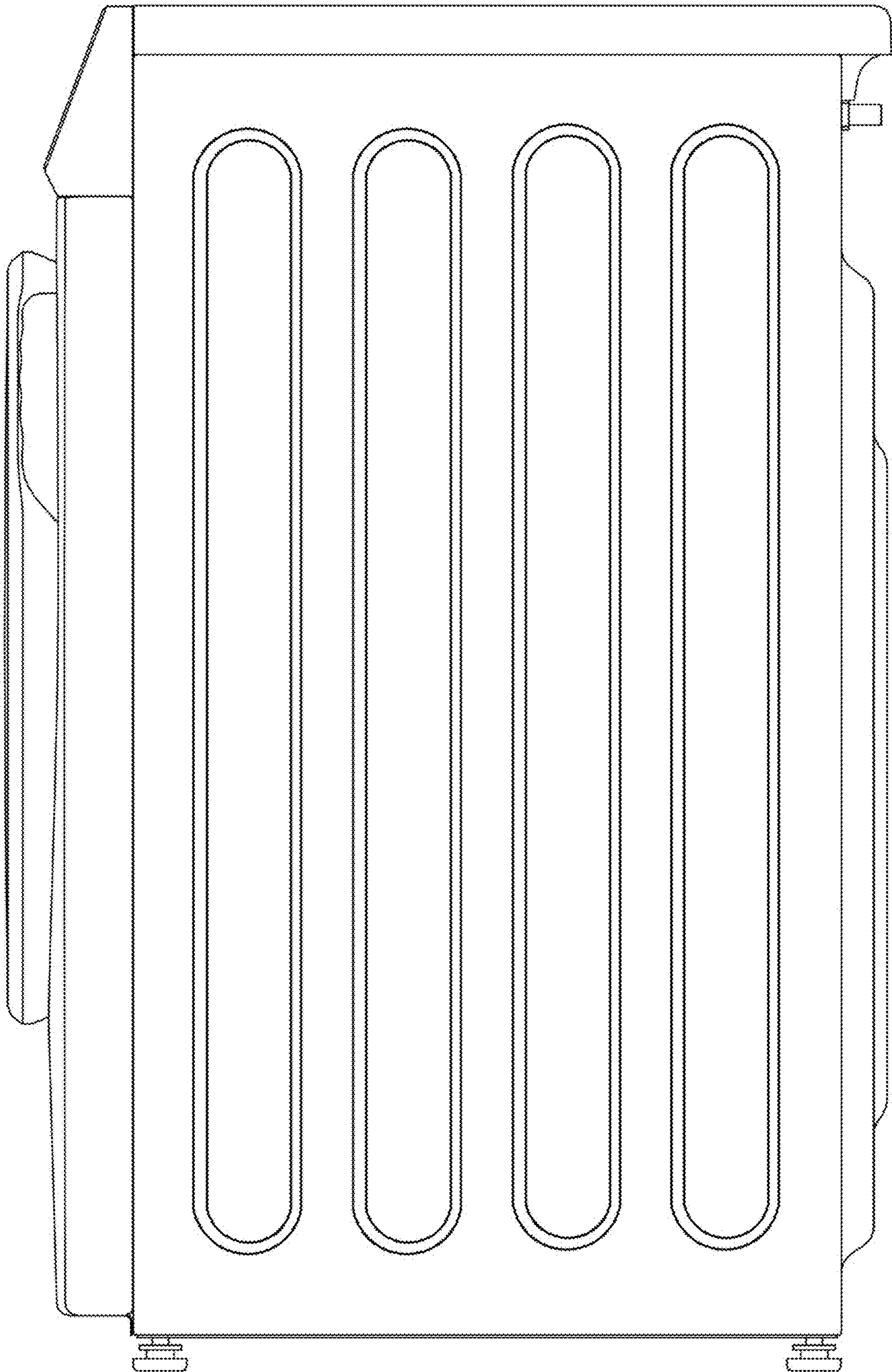


Fig. 1.2

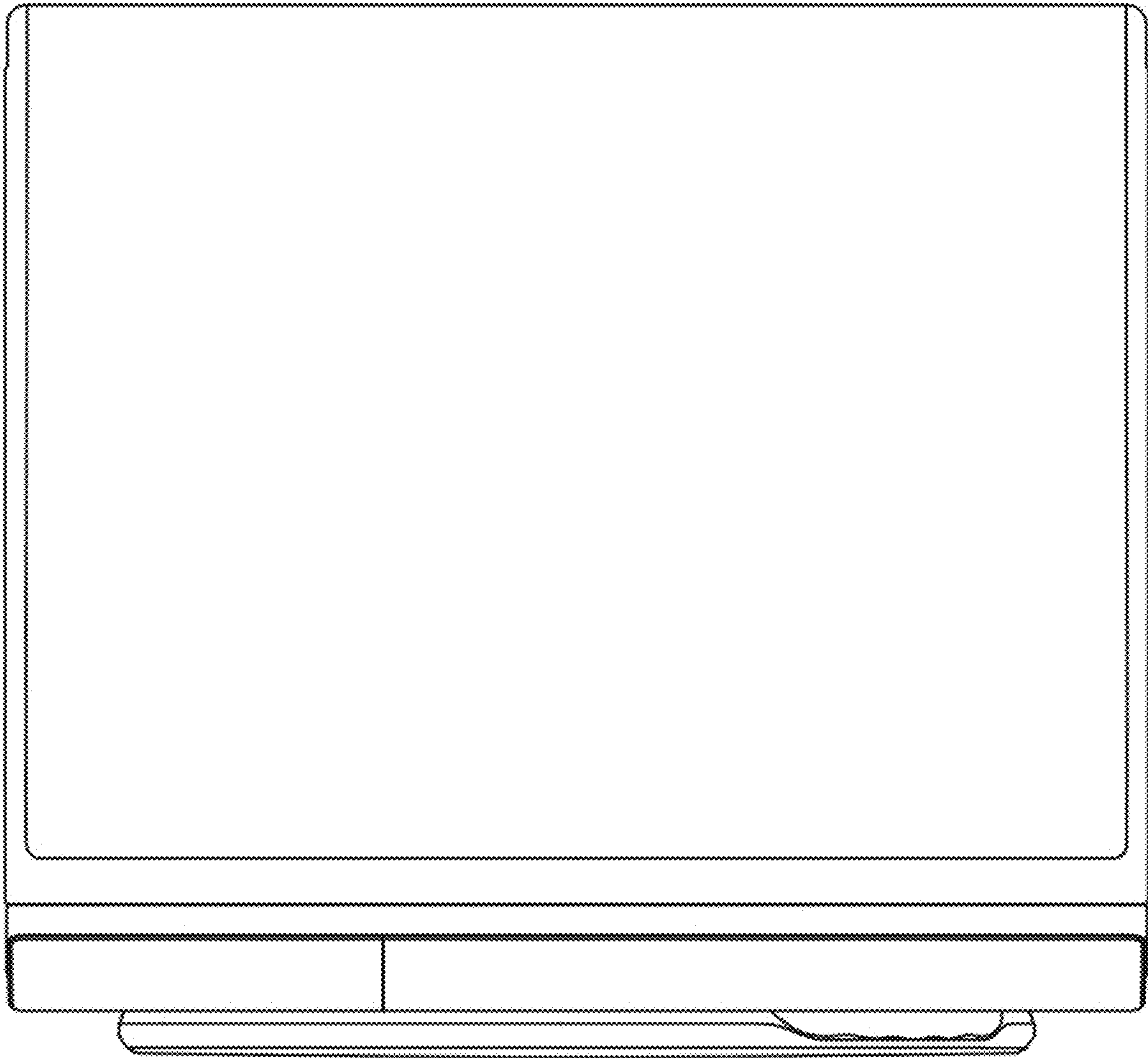
1.3



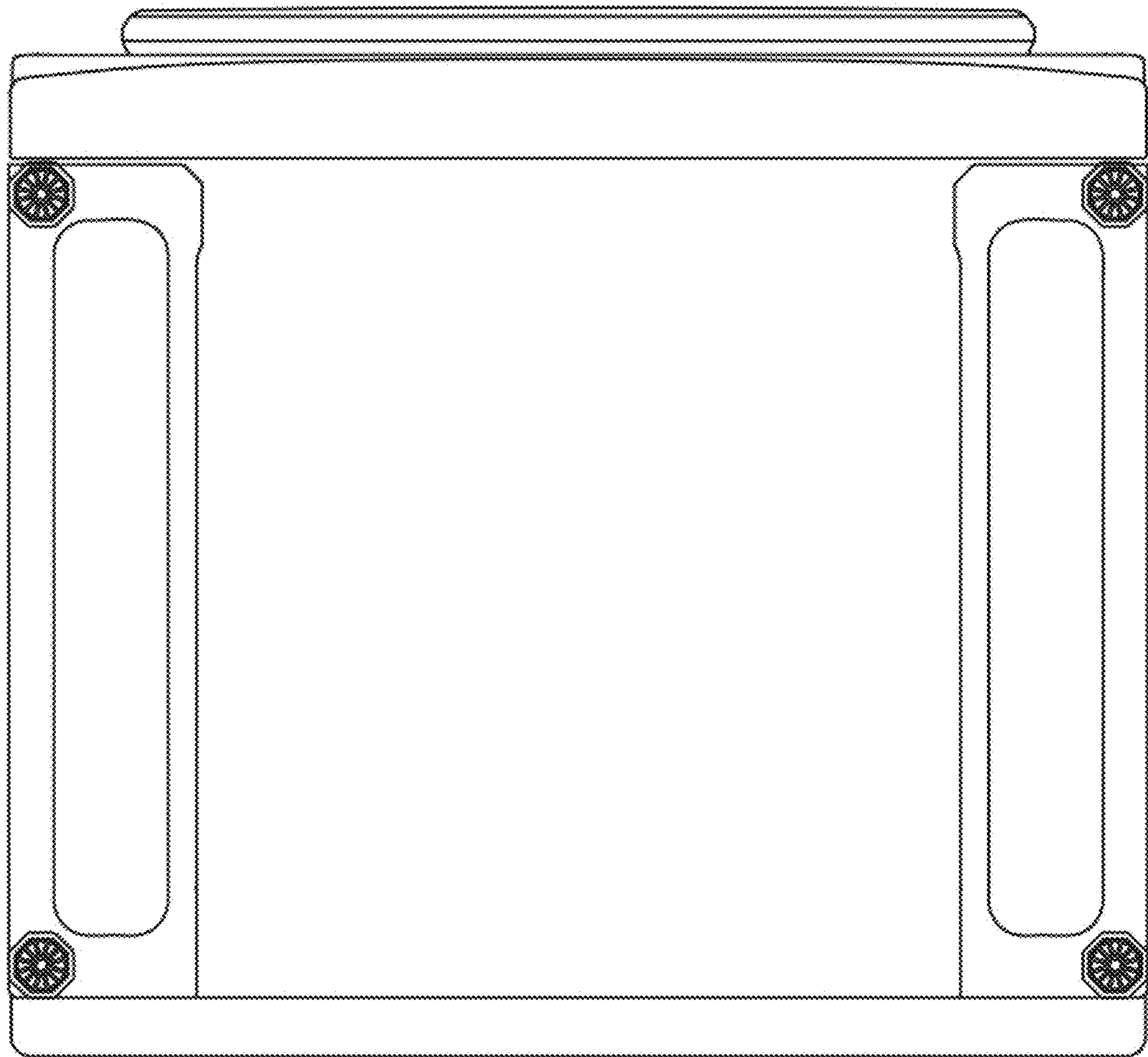
1.4



1.5



1.6



1.7

