



US00D901105S

(12) **United States Design Patent** (10) **Patent No.:** **US D901,105 S**
Bae (45) **Date of Patent:** **** Nov. 3, 2020**

(54) **INCUBATOR FOR ANIMAL**
(71) Applicant: **AUTO ELEX Co., LTD**, Gimhae-si,
Gyeongsangnam-do (KR)
(72) Inventor: **Jong-yoon Bae**, Gimhae-si (KR)
(73) Assignee: **AUTO ELEX CO., LTD.**,
Gyeongsangnam-do (KR)
(**) Term: **15 Years**
(21) Appl. No.: **29/624,358**
(22) Filed: **Oct. 31, 2017**
(51) **LOC (12) Cl.** **30-99**
(52) **U.S. Cl.**
USPC **D30/199; D30/108**
(58) **Field of Classification Search**
USPC D30/108, 109, 113, 117, 158, 199;
D24/163, 202, 209, 231, 232; D8/107,
D8/300, 303, 307, 313, 315, 316, 321;
D6/533, 524, 550, 549; D23/304
CPC A01K 1/02; A01K 1/03; A01K 1/0218;
A01K 1/031; A01K 1/032; A01K 1/0047;
A01K 1/0236; A01K 1/0245; A01K
41/00; A01K 41/02; A01K 41/026; A01K
41/04; A01K 41/06; A01K 41/065; A01K
31/14-20; A01K 31/165; A01K 33/00;
A61D 7/00; A61D 7/04; A61D 11/00;
A61G 11/00; A61G 11/001-009
See application file for complete search history.

(56) **References Cited**
U.S. PATENT DOCUMENTS
1,769,326 A * 7/1930 Weis A47K 10/04
211/123
1,972,282 A * 9/1934 Wittstein A47K 10/10
211/123
2,052,606 A * 9/1936 Comstock A47K 10/04
211/123

2,600,240 A 6/1952 Grieb
2,778,617 A 1/1957 Gibbon
3,051,163 A 8/1962 Trexler
D232,721 S 9/1974 Newman
3,982,285 A * 9/1976 Roberts, Jr. E03C 1/06
4/605
3,985,102 A 10/1976 Yonezawa
4,059,903 A 11/1977 Piet et al.
D291,639 S * 9/1987 Chap D6/549
4,923,816 A 5/1990 Heeg et al.
D312,935 S * 12/1990 Chap D6/549
5,026,013 A * 6/1991 Robbins A47K 10/10
248/221.12
D319,102 S 8/1991 Futatsuka et al.
D327,196 S * 6/1992 Crook D6/549
D328,352 S 7/1992 Futatsuka
5,140,947 A 8/1992 Bruce
D334,315 S * 3/1993 Bengtson D23/304
D347,396 S 5/1994 Ohnuma et al.

(Continued)

Primary Examiner — Susan Moon Lee
(74) *Attorney, Agent, or Firm* — Millen, White, Zelano &
Branigan, P.C.; William Nixon

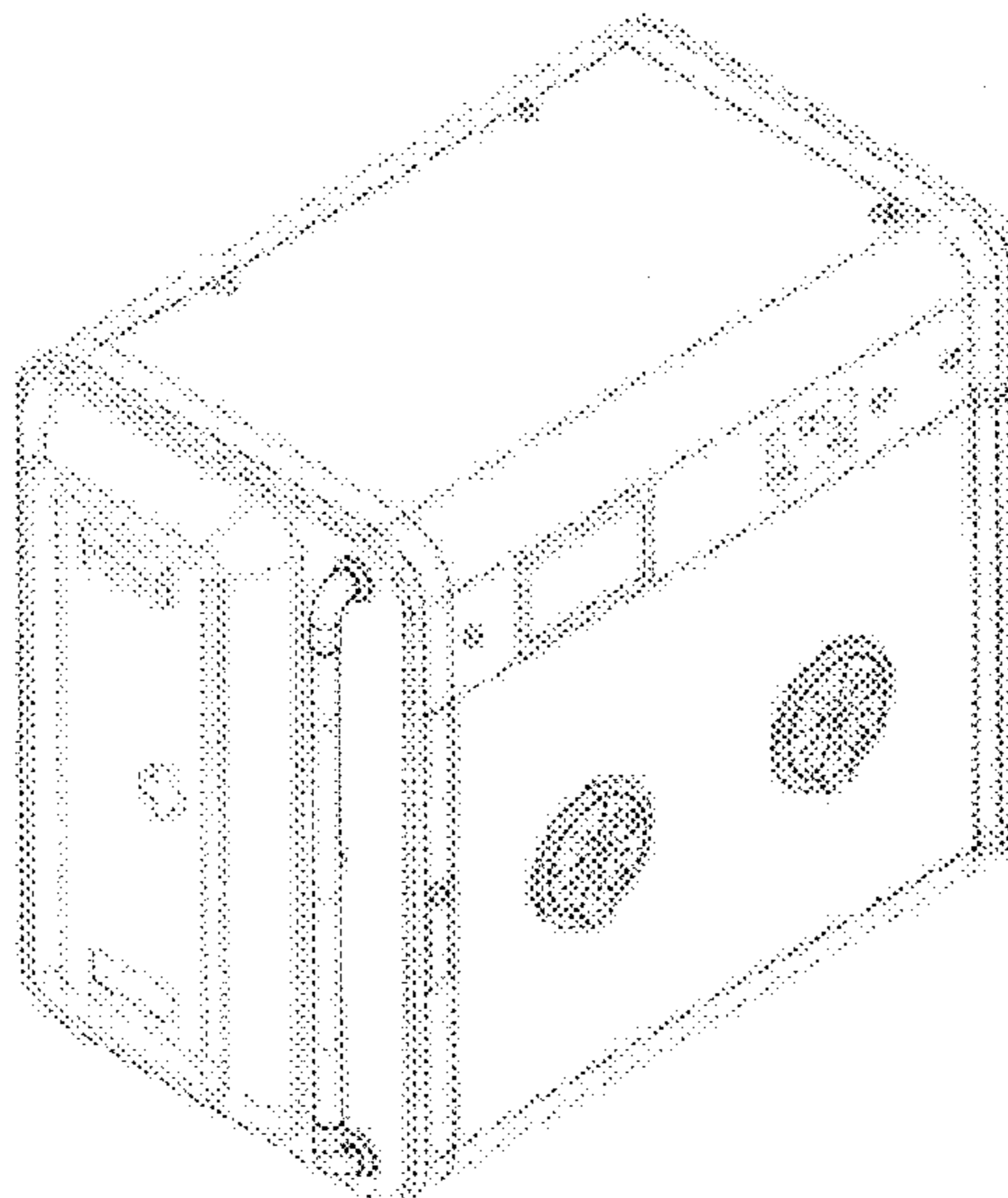
(57) **CLAIM**

I claim the ornamental design for an incubator for animal, as shown and described.

DESCRIPTION

FIG. 1 is a perspective view of an incubator for animal showing my design;
FIG. 2 is a front elevational view thereof;
FIG. 3 is a rear elevational view thereof;
FIG. 4 is a left side elevational view thereof;
FIG. 5 is a right side elevational view thereof;
FIG. 6 is a top plan view thereof; and,
FIG. 7 is a bottom plan view thereof.
The broken lines shown throughout the views depict unclaimed portions of the design and form no part of the claimed design.

1 Claim, 7 Drawing Sheets



(56)

References Cited

U.S. PATENT DOCUMENTS

5,465,437 A * 11/1995 Herman A47K 3/122
297/344.24
D377,571 S * 1/1997 Sharpe D6/548
D385,177 S * 10/1997 Perry D6/549
5,690,237 A * 11/1997 Marzec A47K 3/003
211/105.1
D387,164 S 12/1997 Barnett et al.
D388,272 S * 12/1997 Moore D6/549
D404,488 S 1/1999 Raimann
5,865,142 A 2/1999 Chang
D418,908 S * 1/2000 Warshawsky D23/304
6,038,714 A * 3/2000 Guenther A47K 3/003
4/571.1
D424,344 S * 5/2000 Roth D6/523
D427,471 S * 7/2000 Chen D6/549
D438,040 S * 2/2001 Funk D6/524
D439,091 S * 3/2001 Milrud D6/549
D439,092 S * 3/2001 Wu D6/549
D440,092 S * 4/2001 Fiegl D6/549
D450,212 S * 11/2001 Gottwald D6/549
D450,511 S * 11/2001 Gottwald D6/549
D453,437 S * 2/2002 Gilbert D6/549
D454,273 S * 3/2002 Meck D6/523
D454,459 S * 3/2002 Meck D6/549
D459,930 S * 7/2002 Snell D6/549
6,425,347 B1 7/2002 Bogner et al.
D461,082 S * 8/2002 Snell D6/522
D463,187 S * 9/2002 Gilbert D6/549
D467,456 S * 12/2002 Yen D6/549
D468,145 S * 1/2003 Ouyoung D6/549
D477,738 S * 7/2003 Gilbert D6/549
D478,447 S * 8/2003 Hoernig D6/549
D478,448 S * 8/2003 Hoernig D6/549
D478,449 S * 8/2003 Hoernig D6/549
D486,020 S * 2/2004 Hoernig D6/549
D492,870 S * 7/2004 Graves D6/549
D493,648 S * 8/2004 Hoernig D6/549
D517,359 S * 3/2006 Berberet D6/550
D527,464 S 8/2006 Ina et al.
7,124,451 B2 * 10/2006 Moore A47K 3/003
4/576.1
D532,638 S * 11/2006 Berberet D6/550
D536,597 S * 2/2007 Berlovan D8/315
D540,086 S * 4/2007 Kirar D6/549
D540,089 S * 4/2007 Tau D6/549
D540,090 S * 4/2007 Chen D6/549
D540,597 S * 4/2007 Hoernig D6/549
D543,756 S * 6/2007 Gilbert D6/550
D546,473 S 7/2007 Xu

D550,536 S * 9/2007 Ricereto D8/316
D563,759 S * 3/2008 Oliver D8/316
D568,089 S 5/2008 Hillmann et al.
D568,661 S * 5/2008 Hoernig D6/549
D573,868 S * 7/2008 Ricereto D8/315
D586,199 S * 2/2009 Gifford D8/315
D596,962 S 7/2009 Okamoto et al.
D621,102 S 8/2010 German et al.
D632,800 S 2/2011 Nanni et al.
D639,516 S 6/2011 Christensen
D641,860 S 7/2011 Okamoto et al.
D645,976 S 9/2011 Murray et al.
D646,766 S * 10/2011 Gilbert D23/304
D674,110 S 1/2013 Becher et al.
D697,118 S 1/2014 Okuyama et al.
D703,343 S 4/2014 Biswas et al.
D705,638 S * 5/2014 Aruga B25G 1/04
D8/300
8,757,096 B2 6/2014 Doumas
D709,600 S * 7/2014 Portilla D23/304
D712,527 S * 9/2014 Portilla D23/304
D713,651 S * 9/2014 Gilbert D6/524
D721,259 S * 1/2015 Ramsland D8/316
D727,483 S * 4/2015 Portilla D23/304
D729,290 S 5/2015 Yamada et al.
D731,205 S * 6/2015 Newson D6/549
D737,871 S 9/2015 Yamada et al.
D739,023 S 9/2015 Mochizuki et al.
D739,024 S 9/2015 Mochizuki et al.
9,181,709 B2 * 11/2015 Amendolea E04F 11/1804
D755,405 S 5/2016 Zhu
D767,106 S * 9/2016 Portilla D23/304
D773,071 S 11/2016 Hakoda
D776,825 S 1/2017 Patil et al.
D787,653 S * 5/2017 Portilla D23/304
D788,274 S * 5/2017 Portilla D23/304
D800,339 S 10/2017 Kittler
D814,719 S * 4/2018 Bae D30/199
D854,349 S * 7/2019 Moerman D6/549
D854,350 S * 7/2019 Bahler D6/549
2004/0255376 A1 * 12/2004 Moore A47K 3/003
4/576.1
2006/0156466 A1 * 7/2006 Chang A47K 3/003
4/576.1
2007/0061959 A1 * 3/2007 Berlovan A47K 3/003
4/576.1
2009/0159011 A1 6/2009 Santo
2010/0148395 A1 * 6/2010 Gifford A47B 95/02
264/250
2017/0009202 A1 1/2017 Ramsing et al.

* cited by examiner

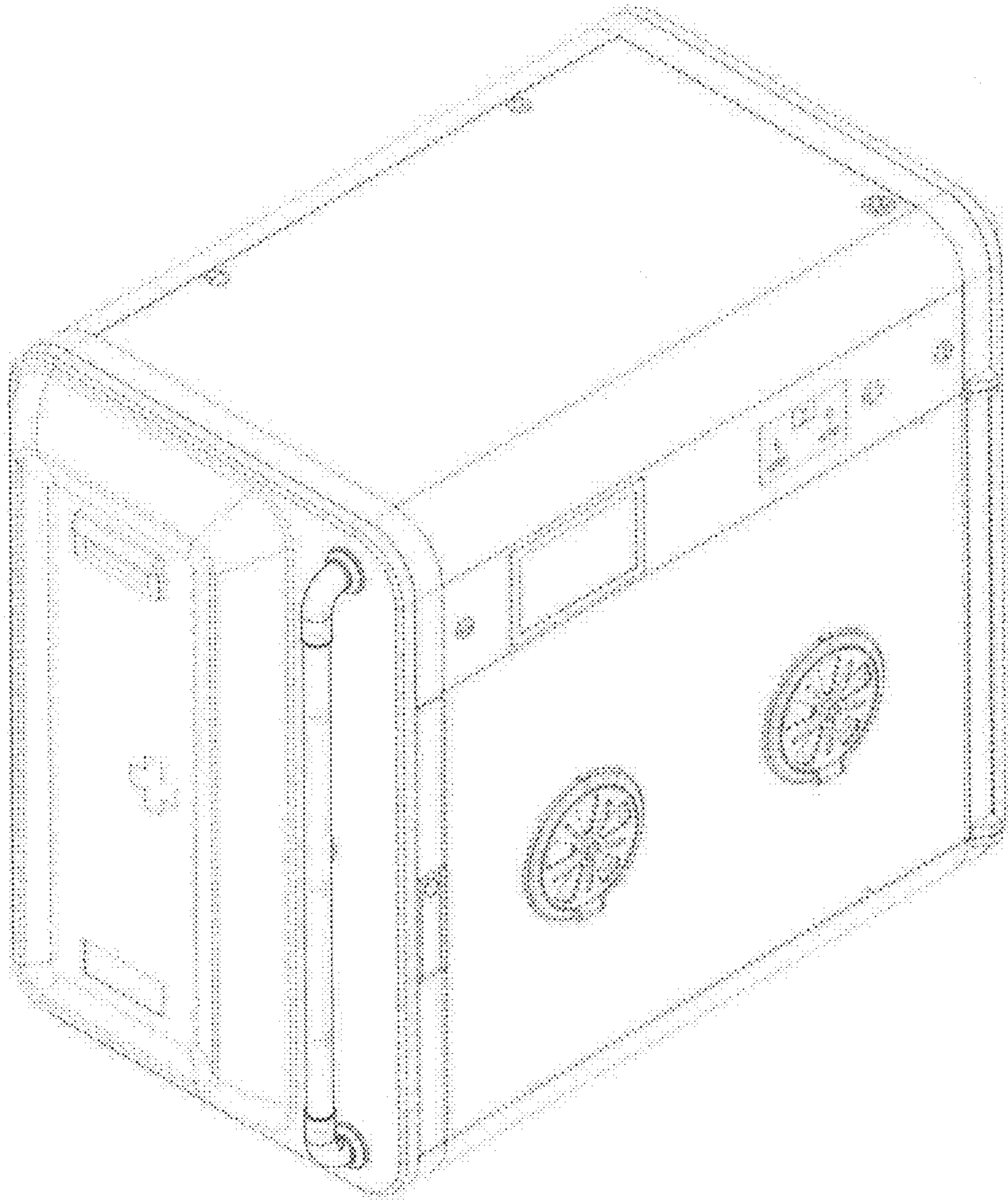


FIG. 1

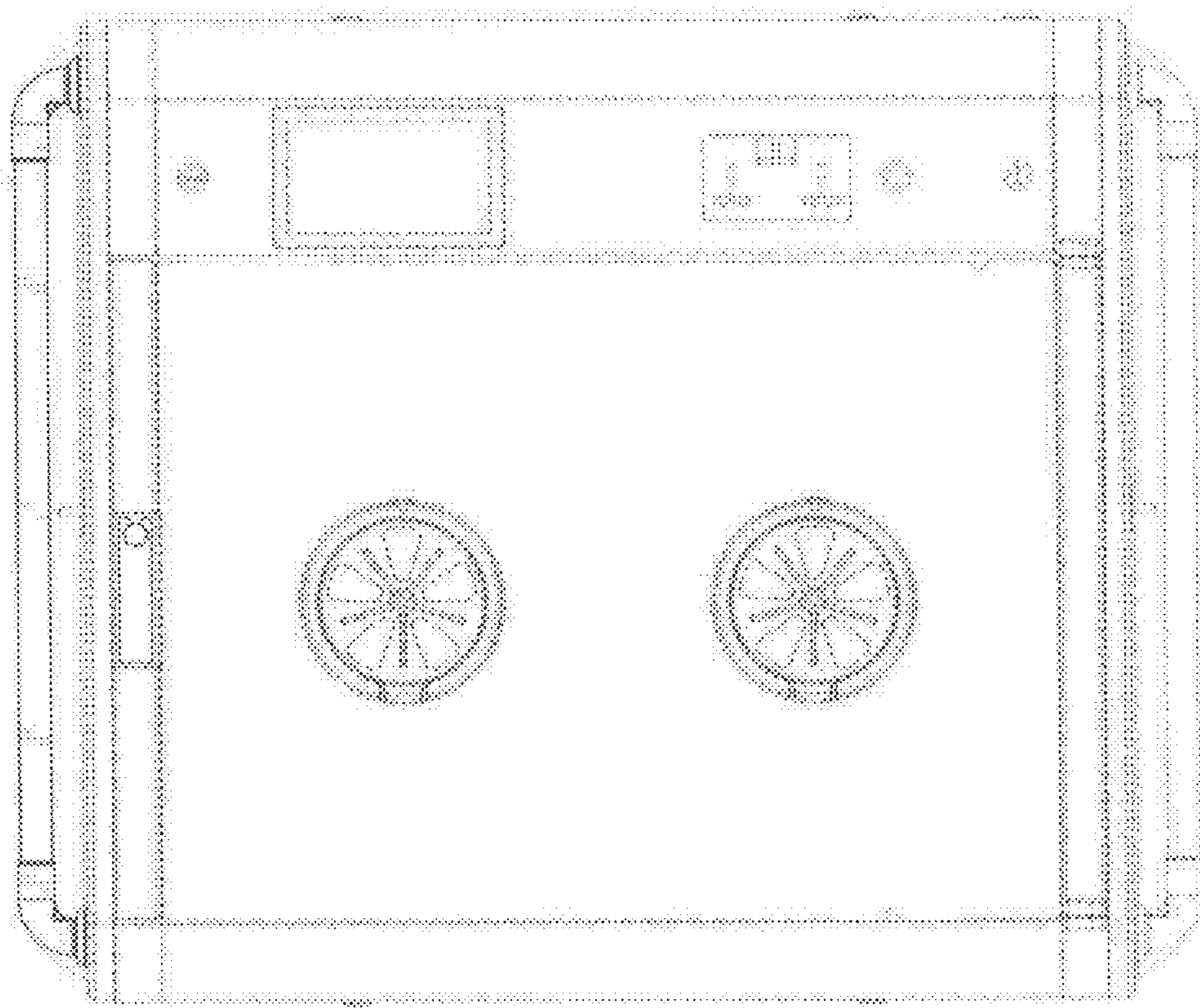


FIG. 2

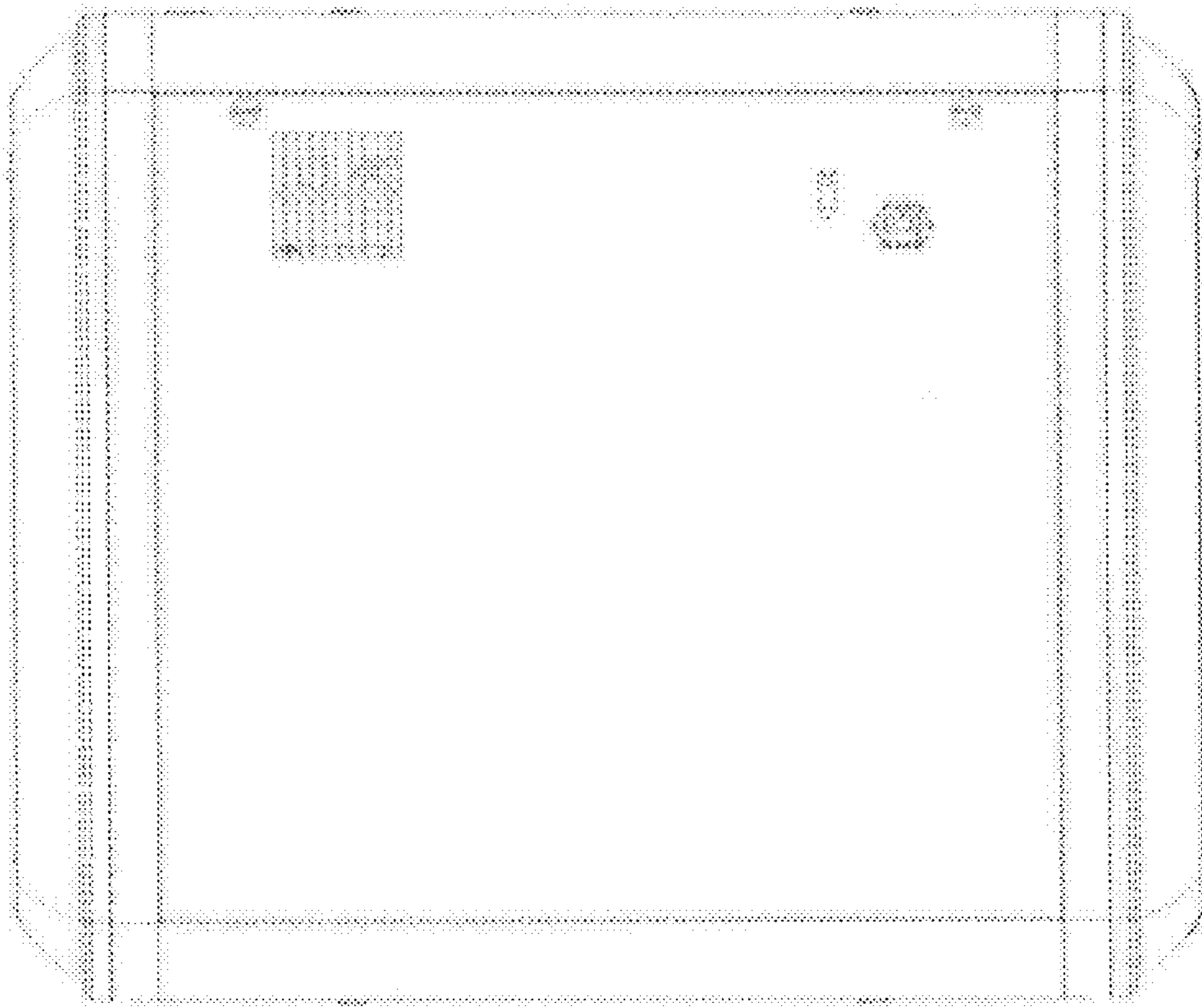


FIG. 3

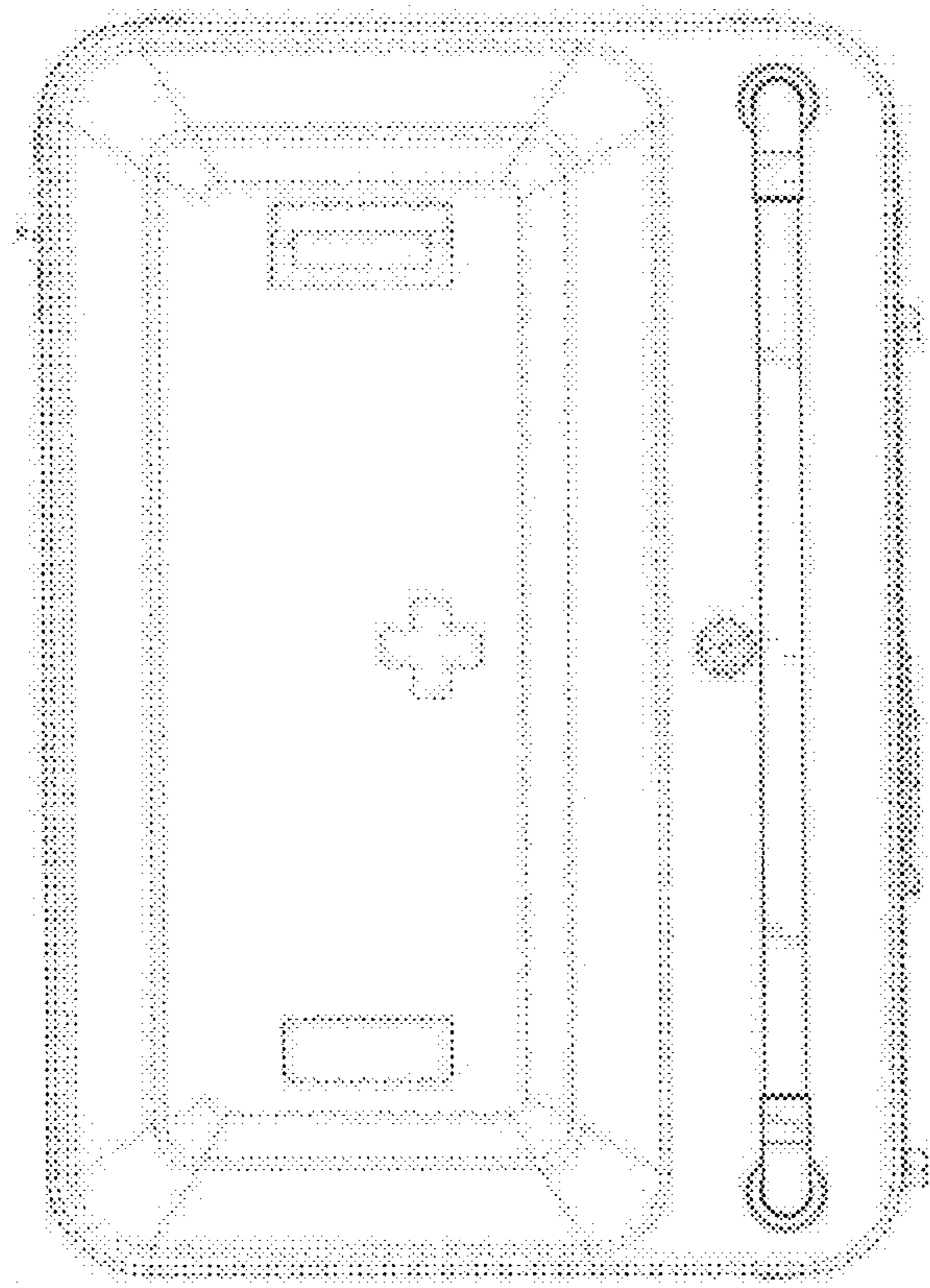


FIG. 4

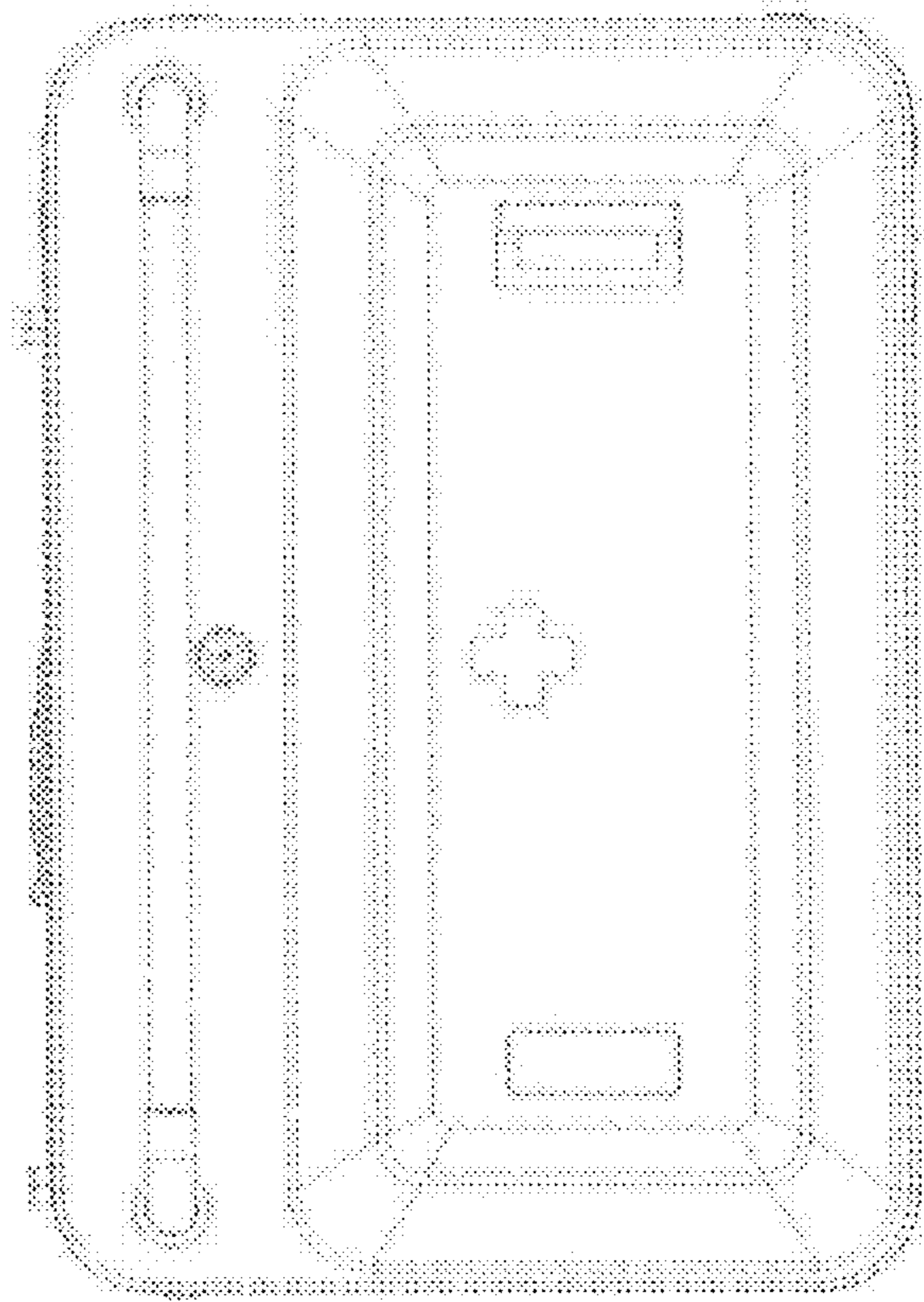


FIG. 5

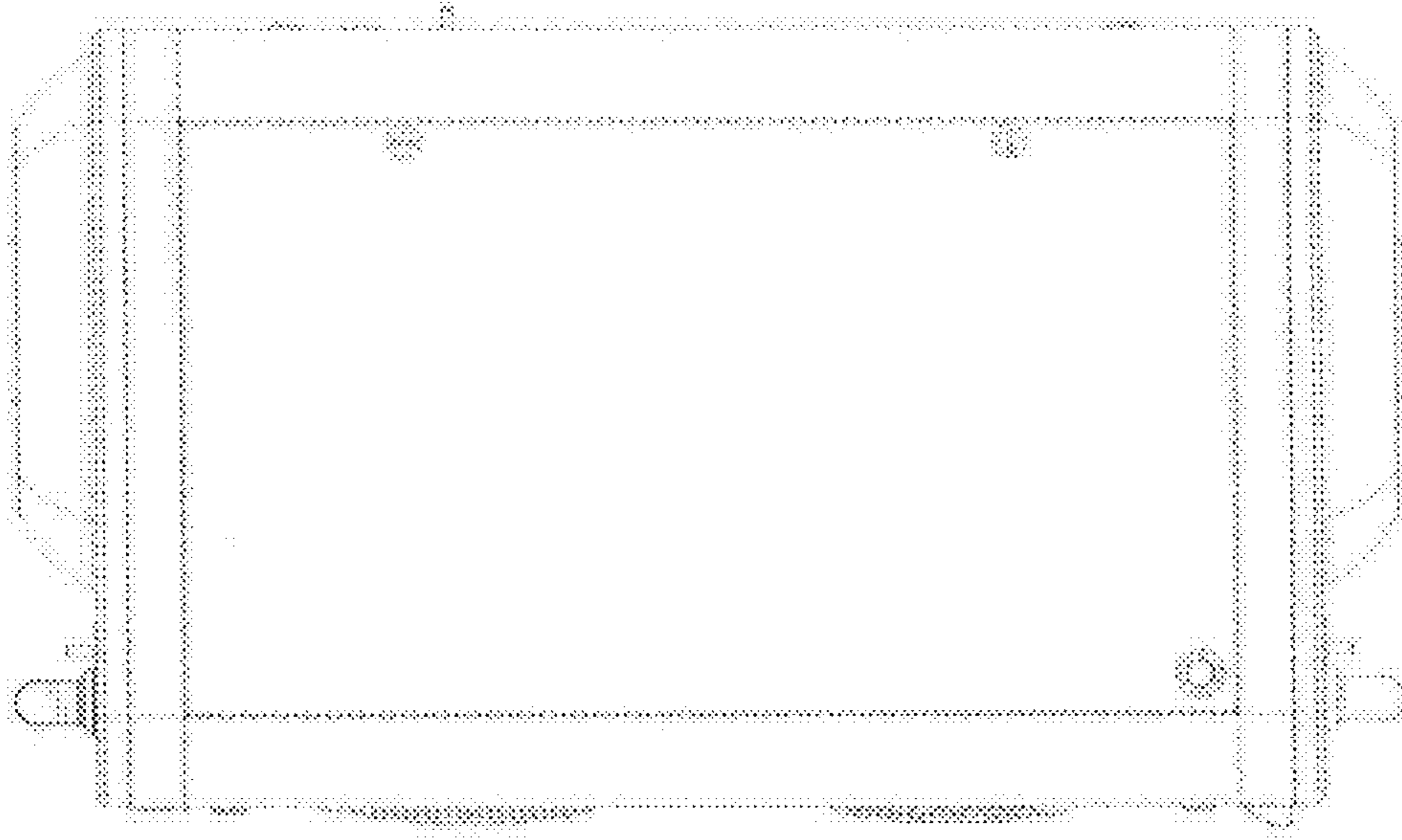


FIG. 6

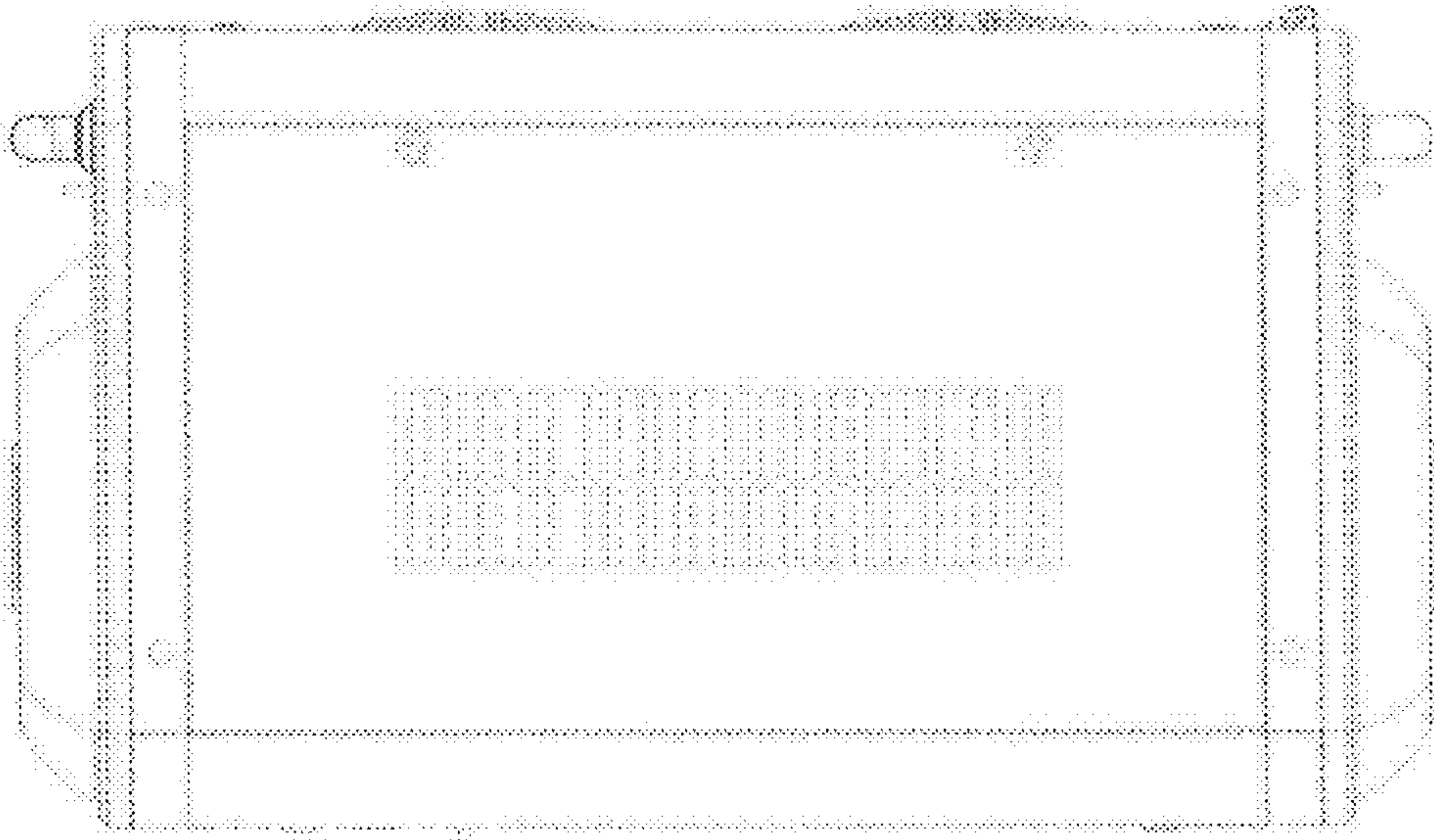


FIG. 7