



US00D901104S

(12) **United States Design Patent** (10) **Patent No.:** **US D901,104 S**  
**Dertsakyan** (45) **Date of Patent:** **\*\* Nov. 3, 2020**

(54) **PET TOY AND DENTAL HYGIENE DEVICE**

(71) Applicant: **Peter Dertsakyan**, North Hollywood, CA (US)

(72) Inventor: **Peter Dertsakyan**, North Hollywood, CA (US)

(\*\*) Term: **15 Years**

(21) Appl. No.: **29/709,331**

(22) Filed: **Oct. 14, 2019**

**Related U.S. Application Data**

(63) Continuation-in-part of application No. 29/663,715, filed on Sep. 18, 2018, now Pat. No. Des. 890,454, which is a continuation-in-part of application No. 15/472,206, filed on Mar. 28, 2017, now Pat. No. 10,477,838.

(51) **LOC (12) Cl.** ..... **30-99**

(52) **U.S. Cl.**  
USPC ..... **D30/160**

(58) **Field of Classification Search**  
USPC ..... D30/160; 119/709  
CPC ..... A01K 15/026; A46B 1/00; A46B 9/026;  
A46B 2200/1086

See application file for complete search history.

(56) **References Cited**

**U.S. PATENT DOCUMENTS**

5,832,877 A \* 11/1998 Markham ..... A01K 15/026  
119/710  
D804,140 S \* 12/2017 Bennett ..... D1/125  
10,201,698 B2 \* 2/2019 Ruffin ..... A61N 1/36014  
D852,438 S \* 6/2019 Liu ..... D30/158

2014/0209038 A1\* 7/2014 Simon ..... A01K 15/026  
119/709  
2016/0095297 A1\* 4/2016 Nielsen ..... A01K 15/026  
514/772.3  
2018/0295811 A1\* 10/2018 Dertsakyan ..... A46B 1/00

**OTHER PUBLICATIONS**

“Dog Toothbrush & Toothpaste with Lick Mat \_ Bristly Dental Set” available Nov. 29, 2017, [online], [site visited Apr. 11, 2020]. Retrieved from Internet, URL:https://www.bristly.com/products/bristly-dental-set?utm\_source=targetbay&utm\_medium=recommendation&utm\_token=747 (Year: 2017).\*

\* cited by examiner

*Primary Examiner* — Michael C Stout

*Assistant Examiner* — Katrina N Gonzalez

(74) *Attorney, Agent, or Firm* — David R. Preston

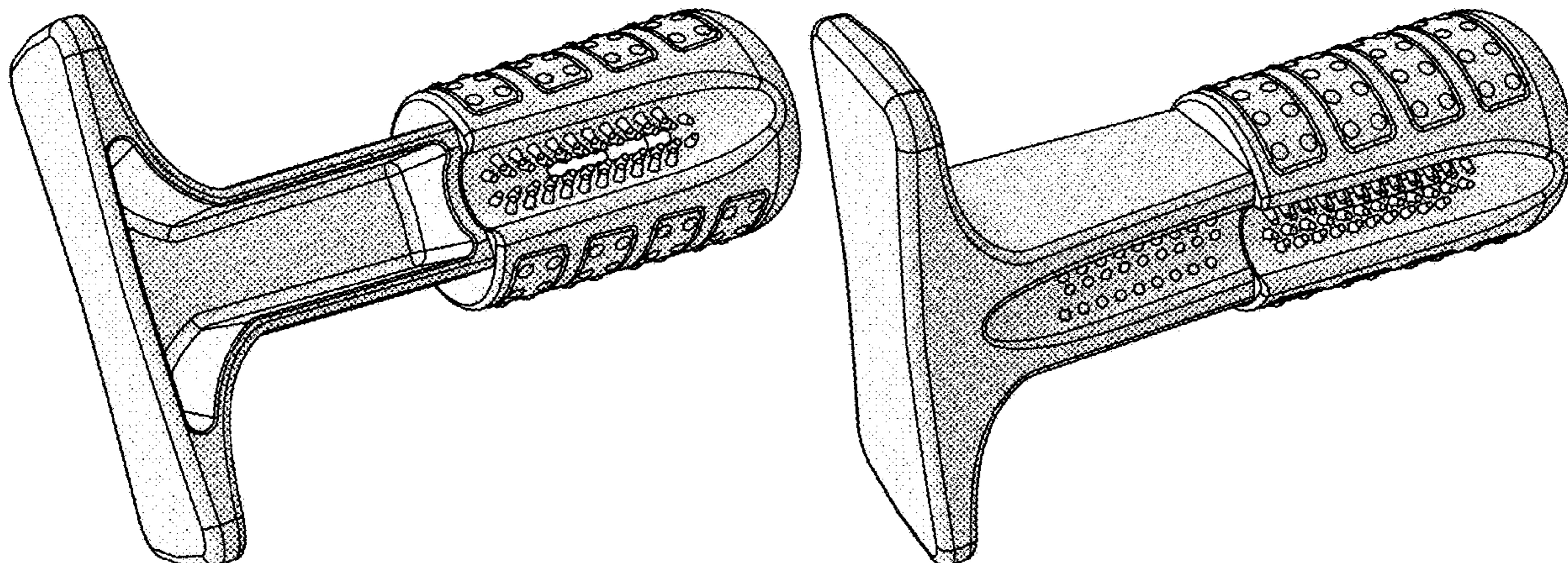
(57) **CLAIM**

The ornamental design for a pet toy and dental hygiene device, as shown and described.

**DESCRIPTION**

FIG. 1 is a front perspective view of a pet toy and dental hygiene device, showing my new design;  
FIG. 2 is another front perspective view thereof;  
FIG. 3 is a rear perspective view thereof;  
FIG. 4 is another rear perspective view thereof;  
FIG. 5 is a cross-sectional front view taken along and in the direction of line 5-5 in FIG. 6.  
FIG. 6 is a top, front perspective view thereof;  
FIG. 7 is a top elevation view thereof;  
FIG. 8 is a rear elevation view thereof;  
FIG. 9 is a side view thereof;  
FIG. 10 is a bottom plan view thereof; and,  
FIG. 11 is a top plan view thereof.

**1 Claim, 7 Drawing Sheets**



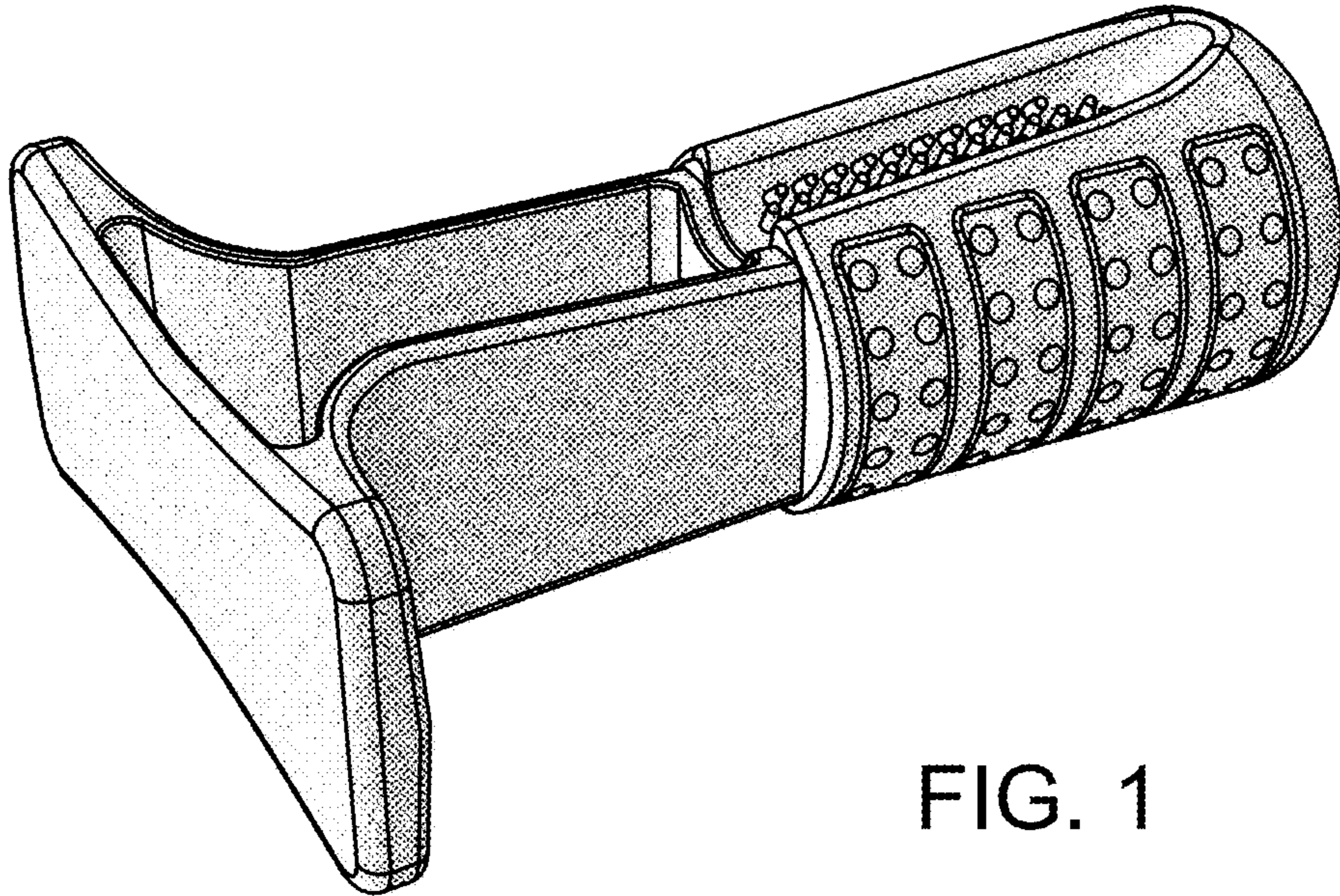


FIG. 1

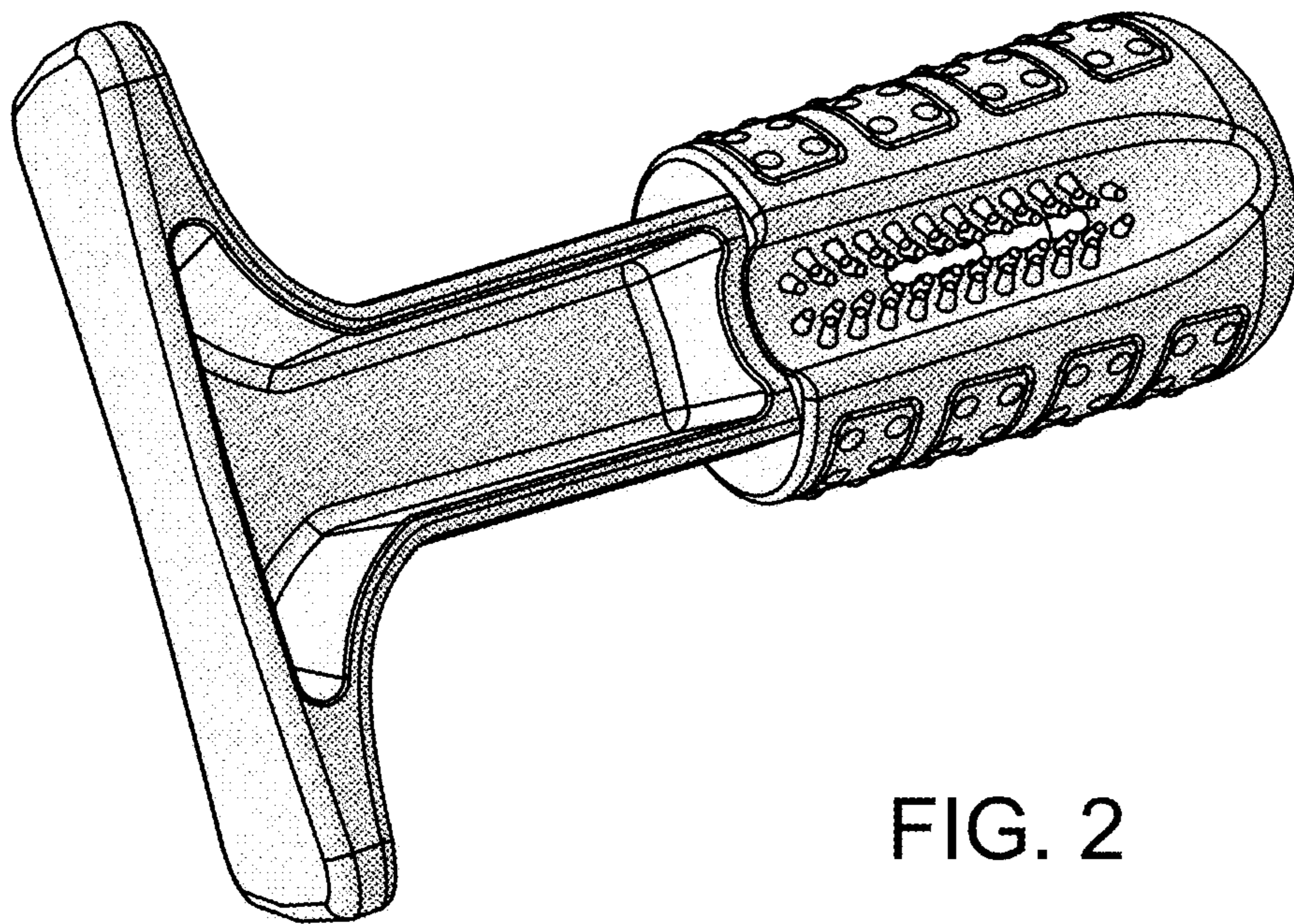


FIG. 2

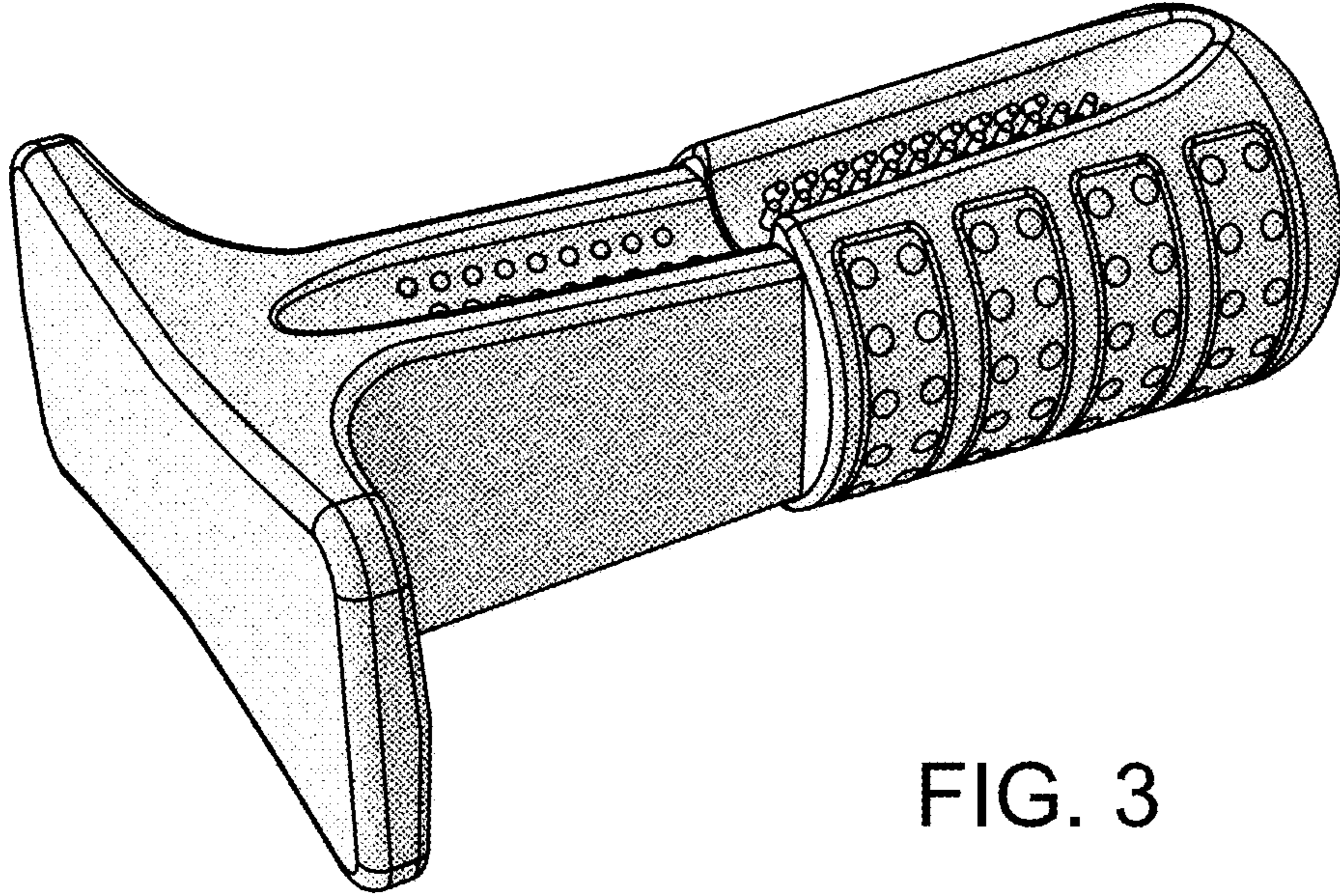


FIG. 3

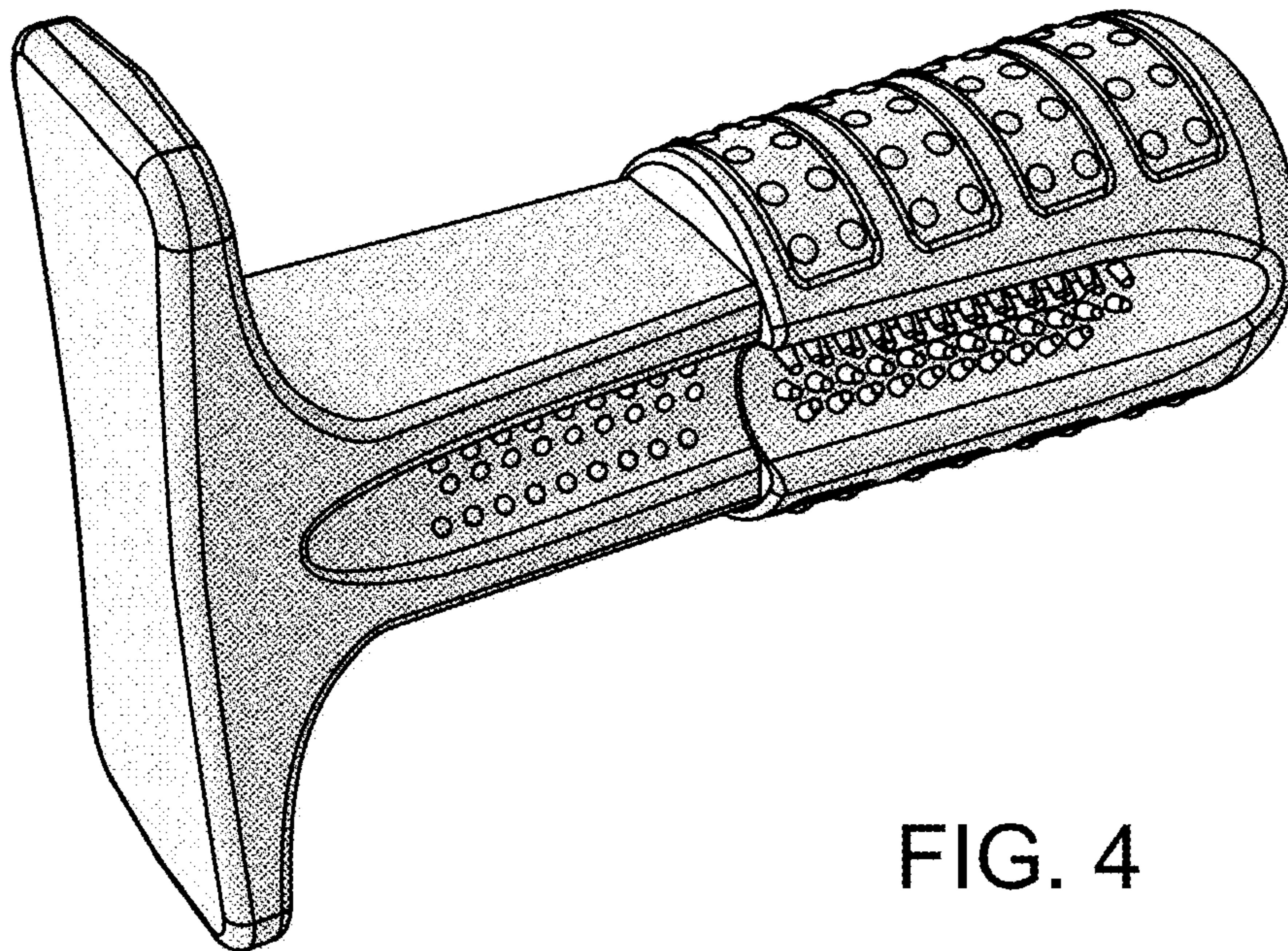


FIG. 4

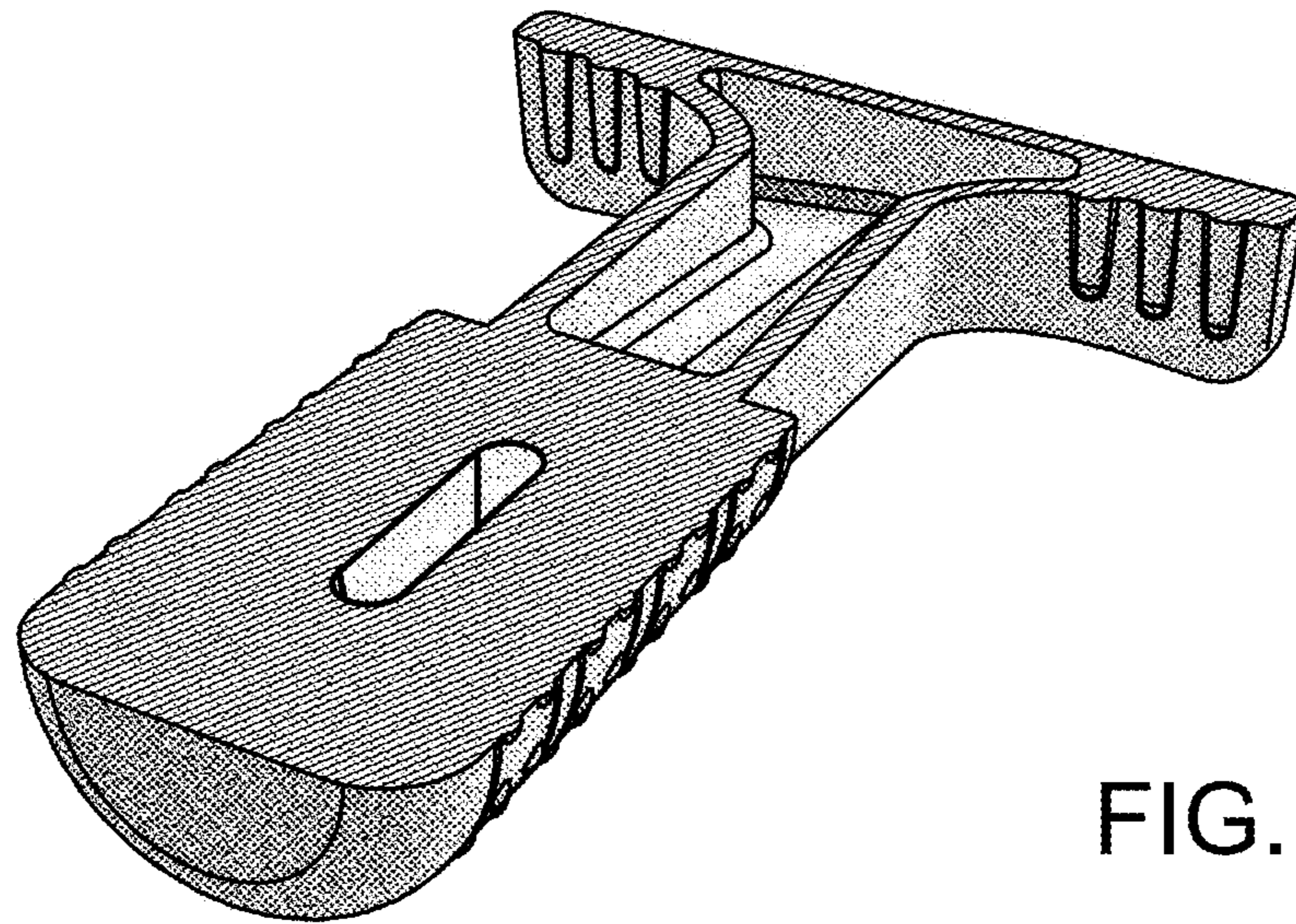


FIG. 5

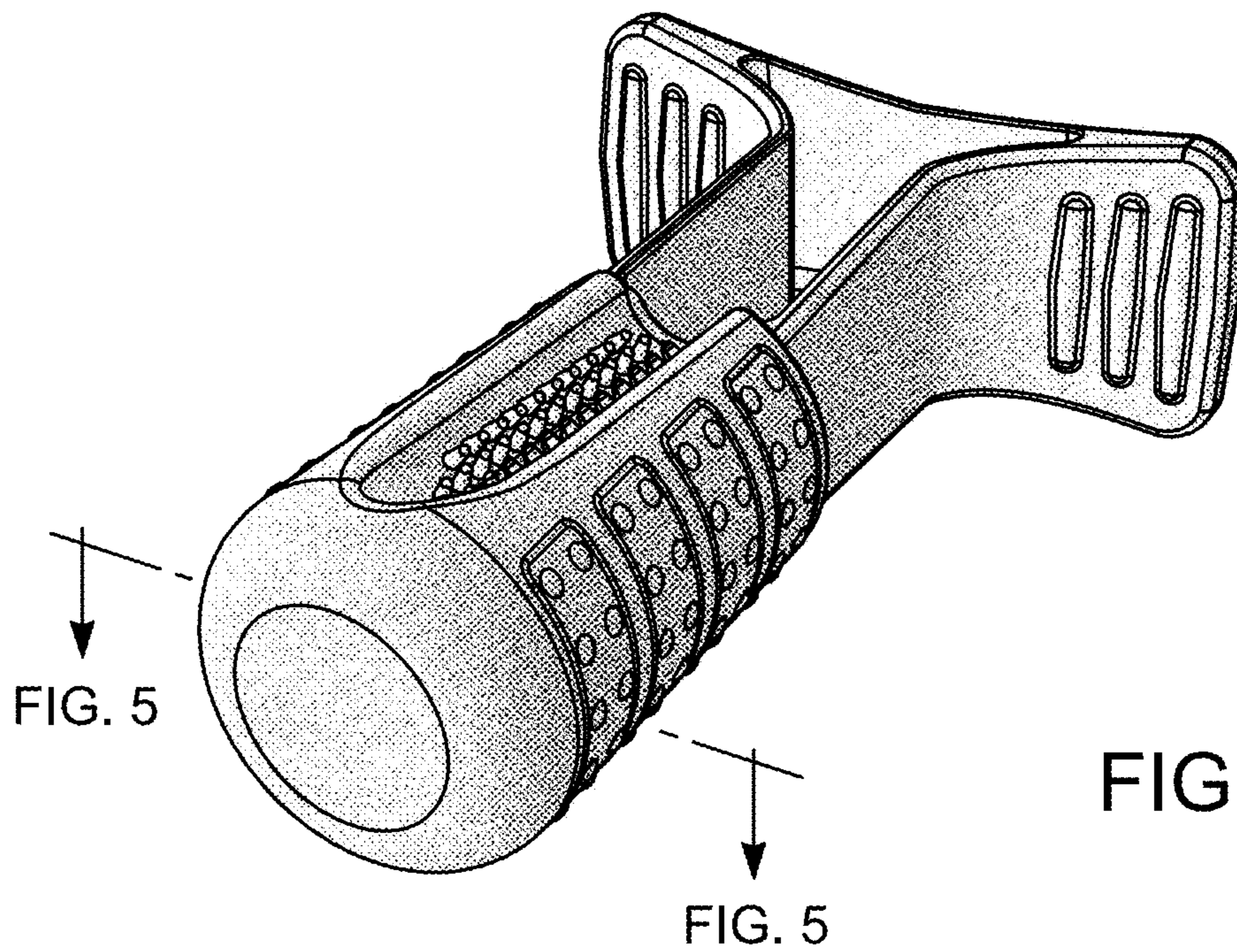


FIG. 6

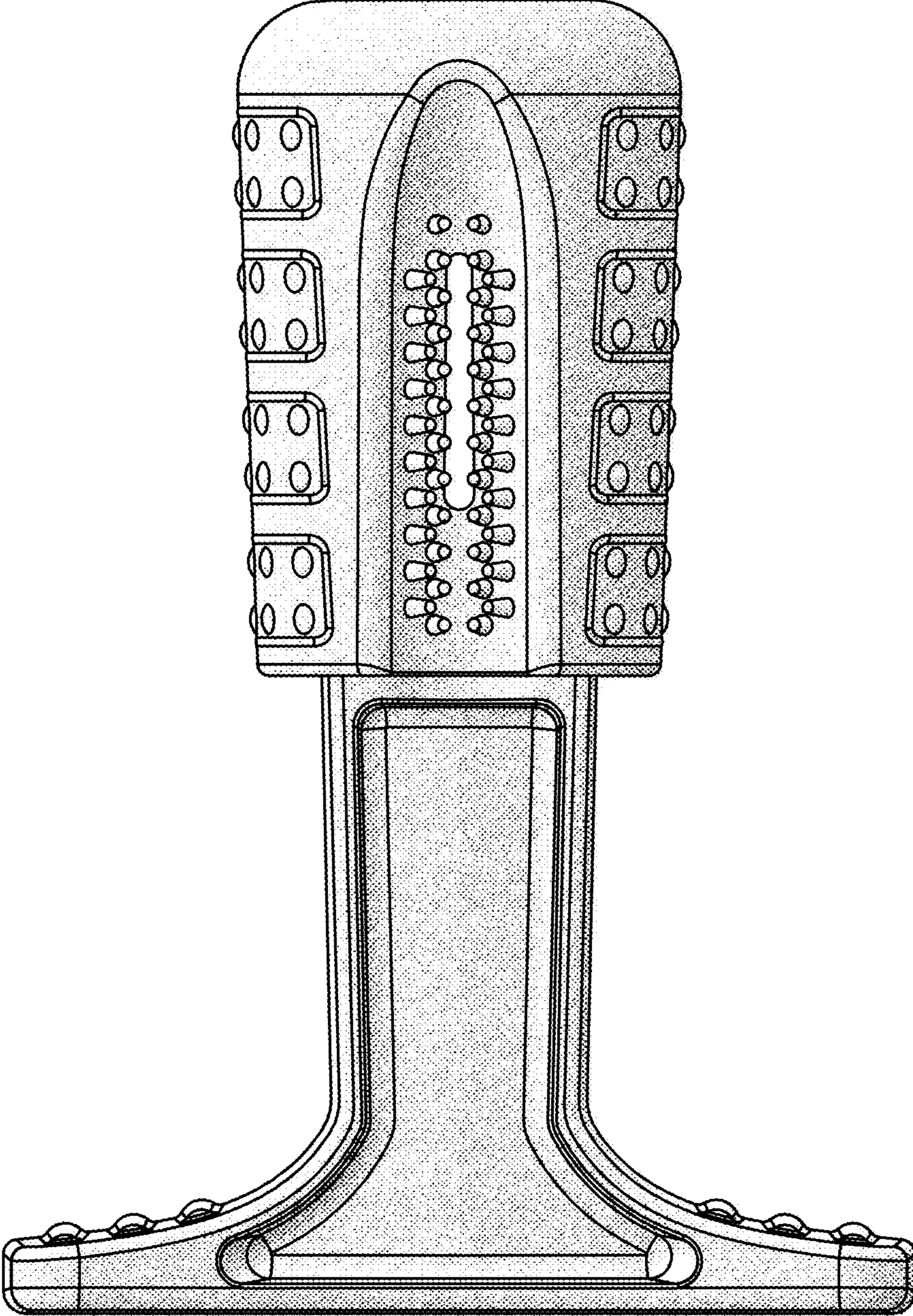


FIG. 7

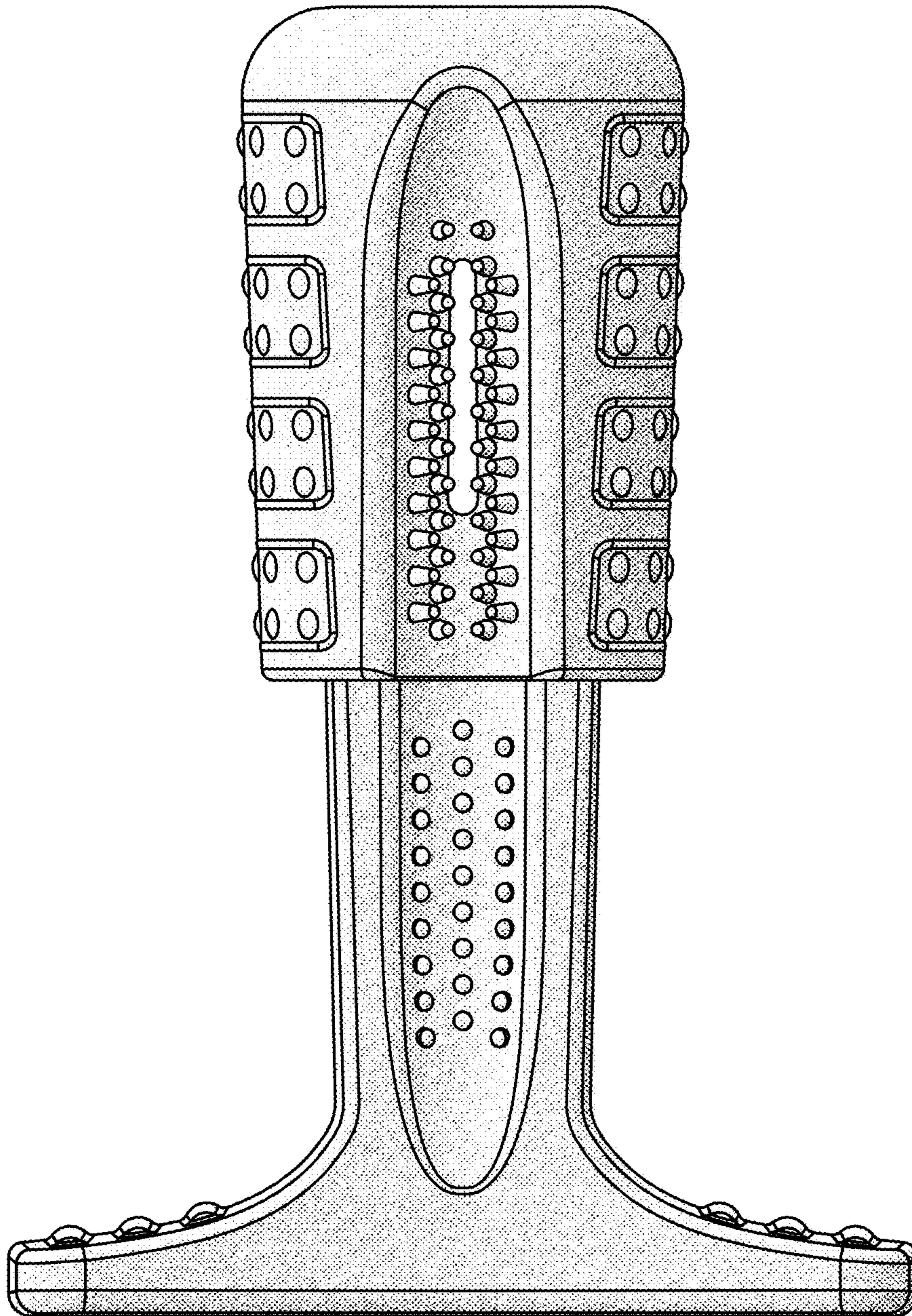


FIG. 8

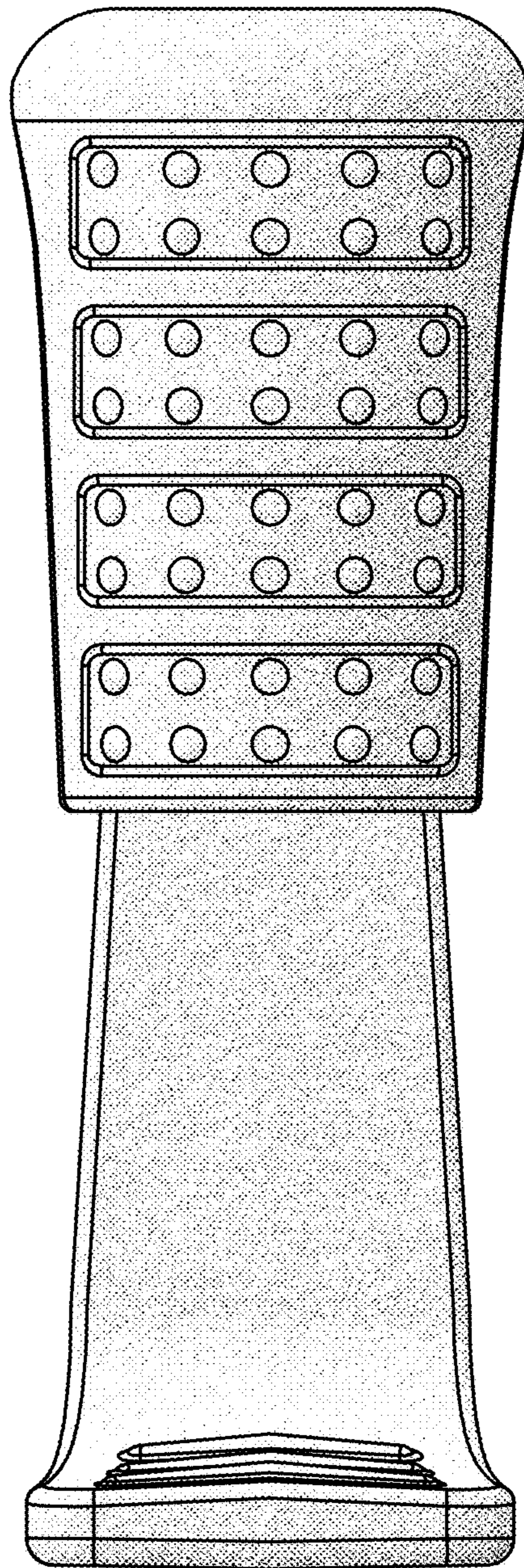


FIG. 9

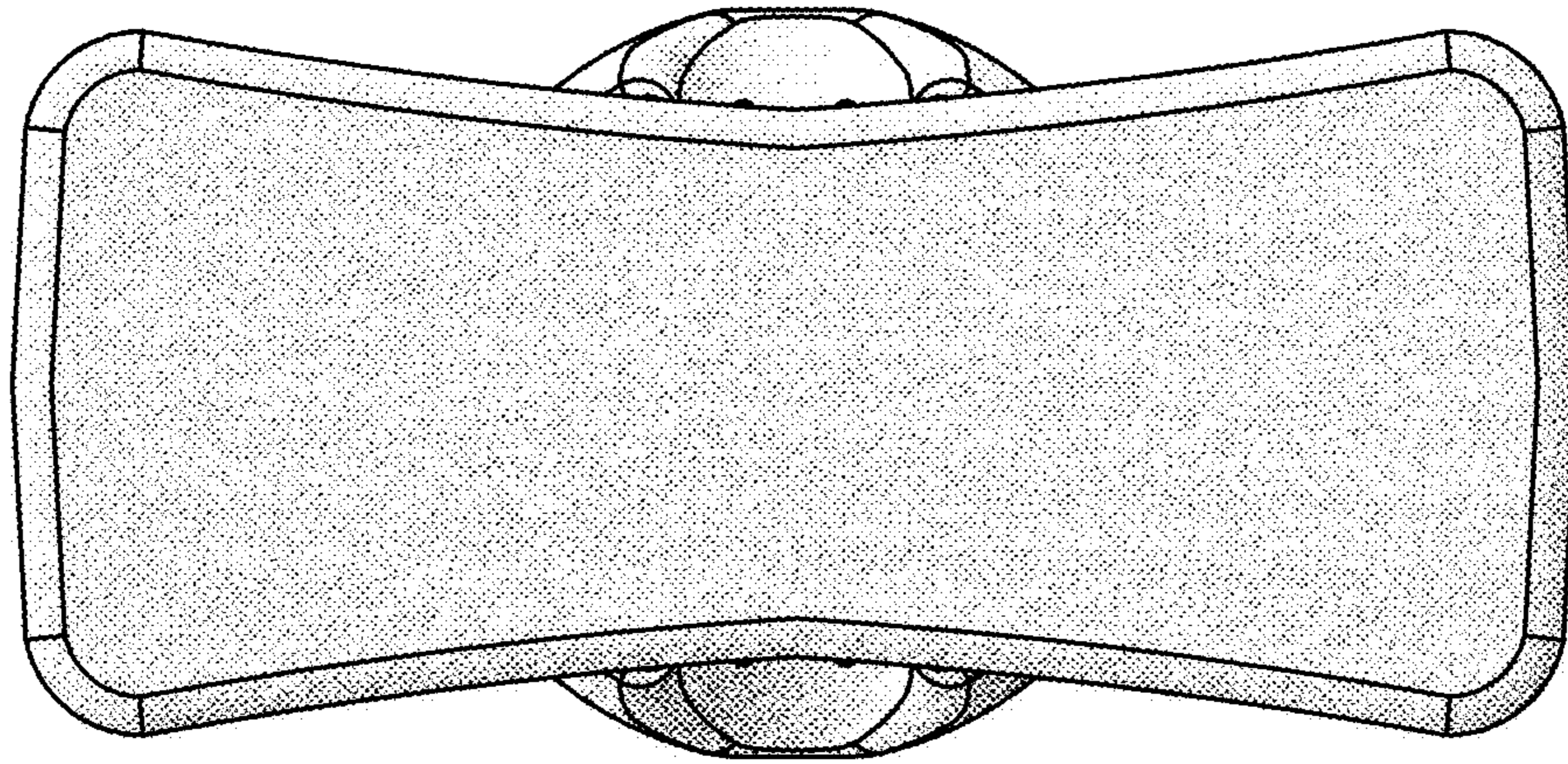


FIG. 10

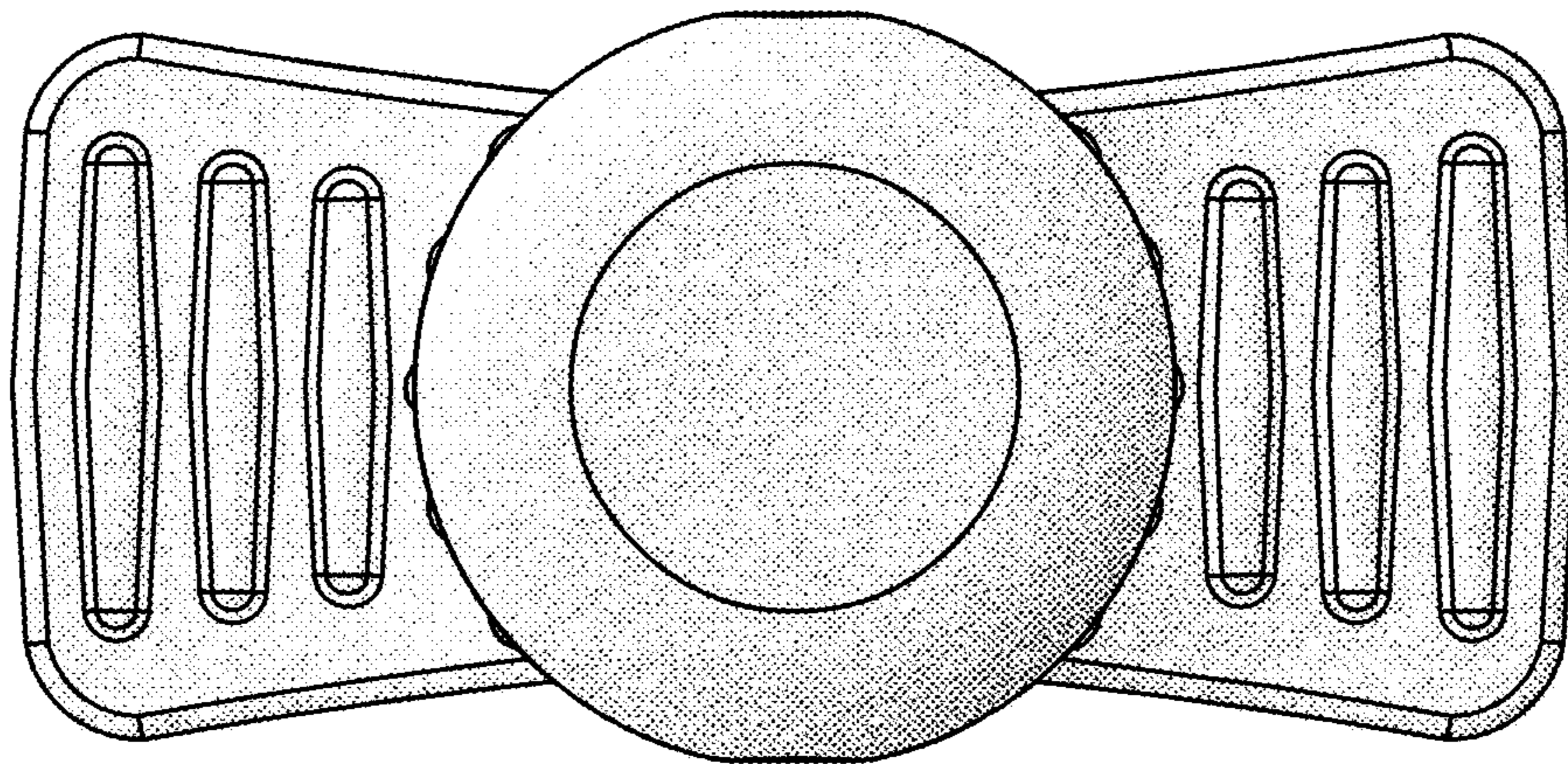


FIG. 11