



US00D901100S

(12) **United States Design Patent**  
**Kohl**

(10) **Patent No.:** **US D901,100 S**  
(45) **Date of Patent:** **\*\* Nov. 3, 2020**

(54) **HANDLE FOR GROOMING TOOL**

(71) Applicant: **AARONCO PET PRODUCTS, INC.**,  
Somers, NY (US)

(72) Inventor: **Samuel Kohl**, Jericho, NY (US)

(73) Assignee: **Aaronco Pet Products, Inc.**, Somers,  
NY (US)

(\*\*) Term: **15 Years**

(21) Appl. No.: **29/678,274**

(22) Filed: **Jan. 28, 2019**

(51) **LOC (12) Cl.** ..... **30-99**

(52) **U.S. Cl.**  
USPC ..... **D30/159**

(58) **Field of Classification Search**  
USPC ..... D30/158, 159; D7/642, 649, 653, 664;  
D8/1, 6, 11, 13, 300, 307, 321; D28/44,  
D28/45, 48; D4/116-123, 127-128,  
D4/130-138, 199

See application file for complete search history.

(56) **References Cited**

**U.S. PATENT DOCUMENTS**

|               |        |         |       |             |
|---------------|--------|---------|-------|-------------|
| 2,943,602 A * | 7/1960 | Rundle  | ..... | A01K 13/003 |
|               |        |         |       | 119/650     |
| D218,445 S *  | 8/1970 | Lovvorn | ..... | D30/159     |
| D263,259 S *  | 3/1982 | Getter  | ..... | D30/158     |
| D880,658 S *  | 4/2020 | Hicks   | ..... | D23/249     |

**OTHER PUBLICATIONS**

“Grooming Tools \_ Aaronco Best By Design” available Apr. 16, 2020, [online], [site visited Apr. 16, 2020]. Retrieved from Internet, URL:<http://aaroncopet.com/tools/#rake> (Year: 2020).\*

“Groomer’s Mall—Facebook” available Apr. 17, 2019, [online], [site visited Apr. 16, 2020]. Retrieved from Internet, URL:<https://www.facebook.com/GroomersMall/posts/all-new-grooming-tools-from-sam-kohl-and-aaronco-rakes-superior-and-wood-handle-2680721541944026/> (Year: 2019).\*

\* cited by examiner

*Primary Examiner* — Michael C Stout

*Assistant Examiner* — Katrina N Gonzalez

(74) *Attorney, Agent, or Firm* — Dilworth & Barrese, LLP

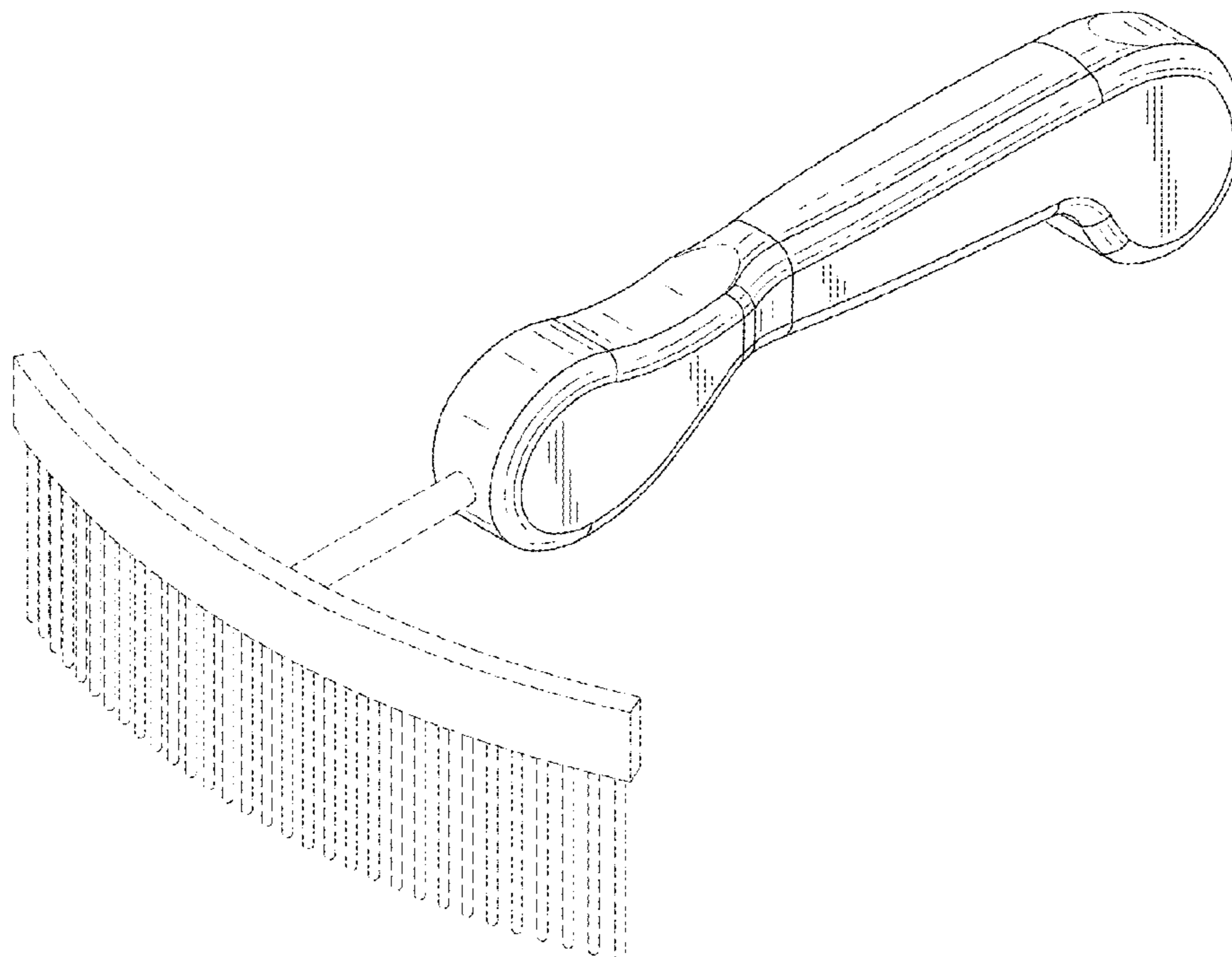
(57) **CLAIM**

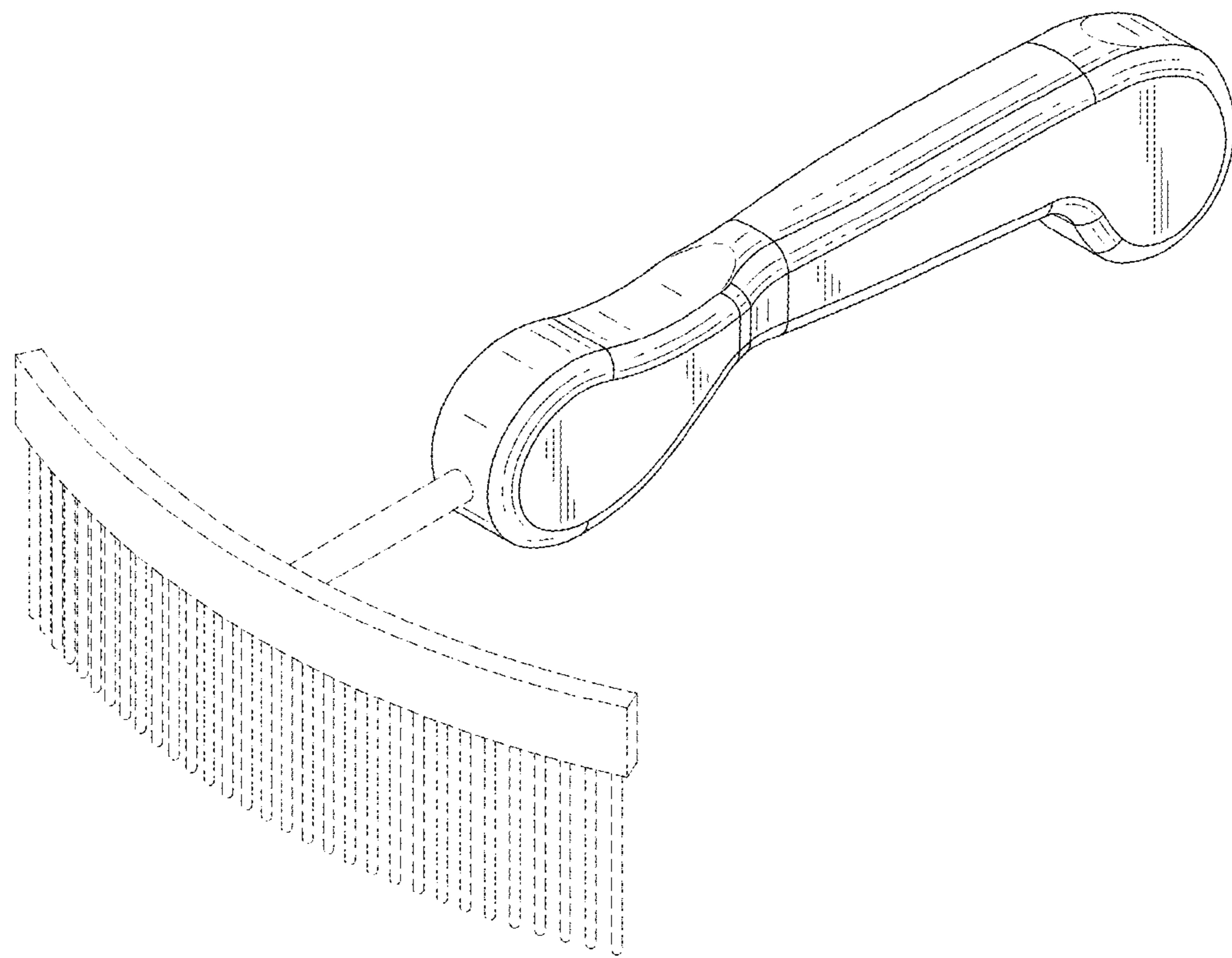
The ornamental design for a handle for grooming tool, as shown and described.

**DESCRIPTION**

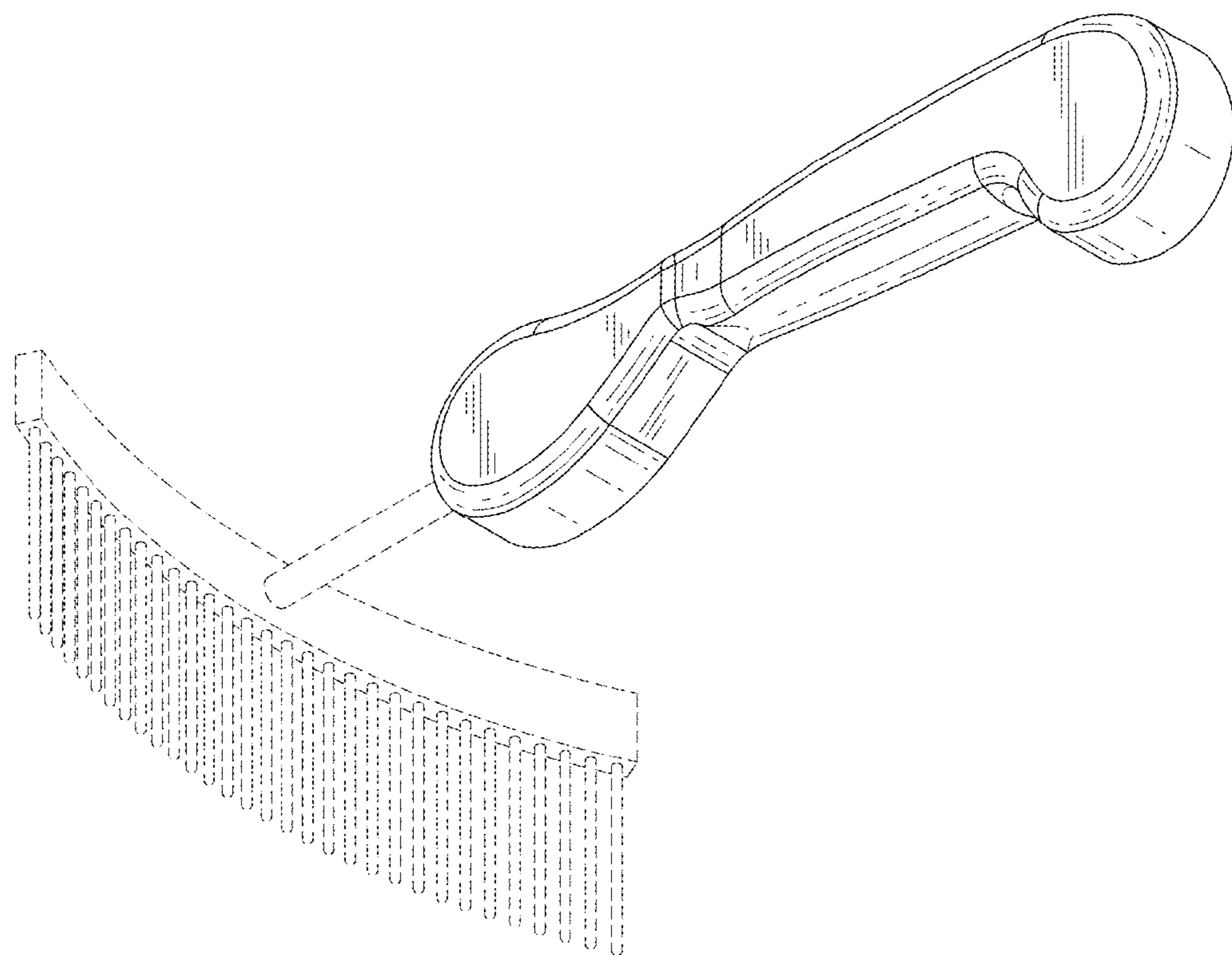
FIG. 1 is a right front perspective view of the handle for grooming tool showing my new design; FIG. 2 is a right rear perspective view thereof; FIG. 3 is a front elevation view thereof; FIG. 4 is a rear elevation view thereof; FIG. 5 is a right side elevation view thereof, the left side view being a mirror image thereof; FIG. 6 is a top plan view thereof; FIG. 7 is a bottom plan view thereof; FIG. 8 is another right front perspective view thereof, but shown with the broken line pins shorter; and, FIG. 9 is another right front perspective view thereof, but shown with the broken line pins staggered. The broken lines illustrate environmental structure that forms no part of the claimed design.

**1 Claim, 4 Drawing Sheets**

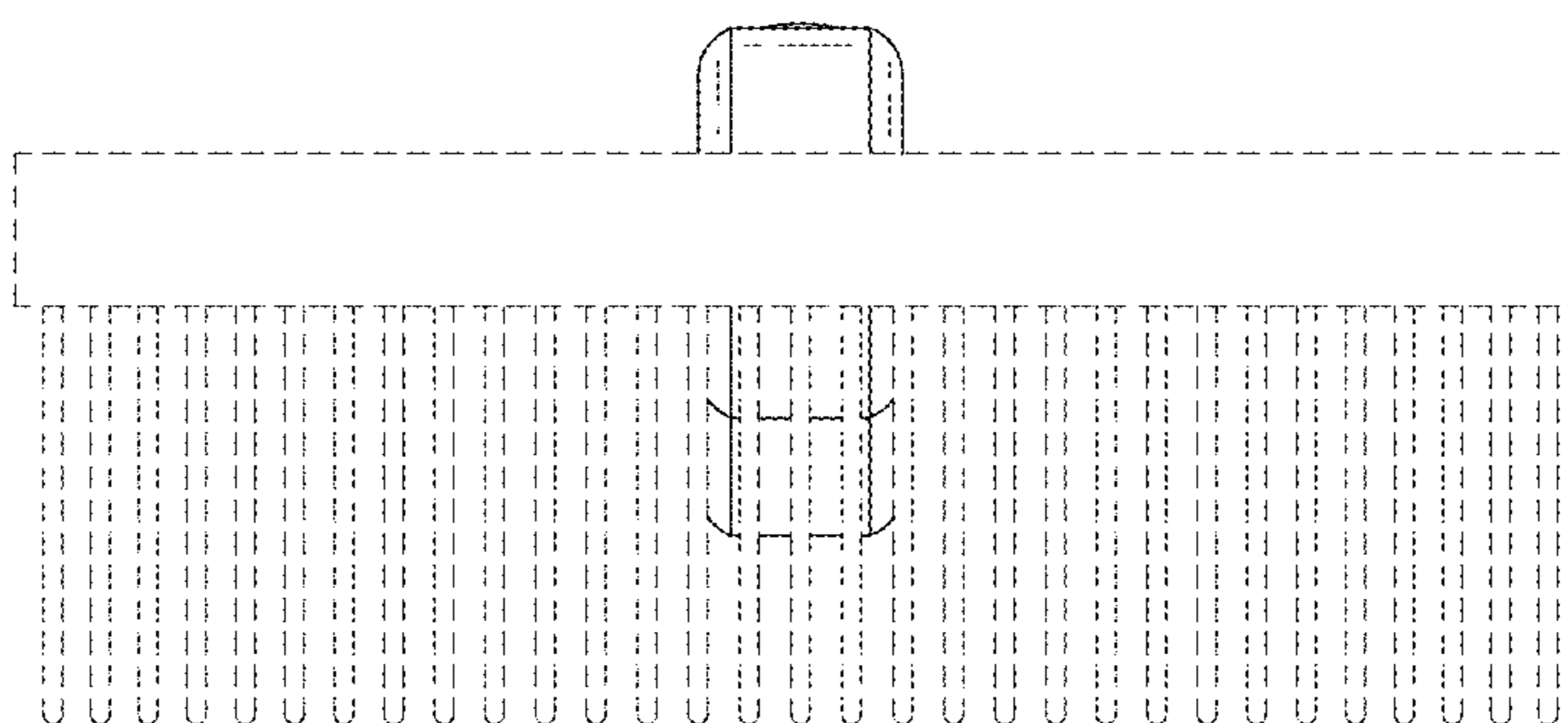




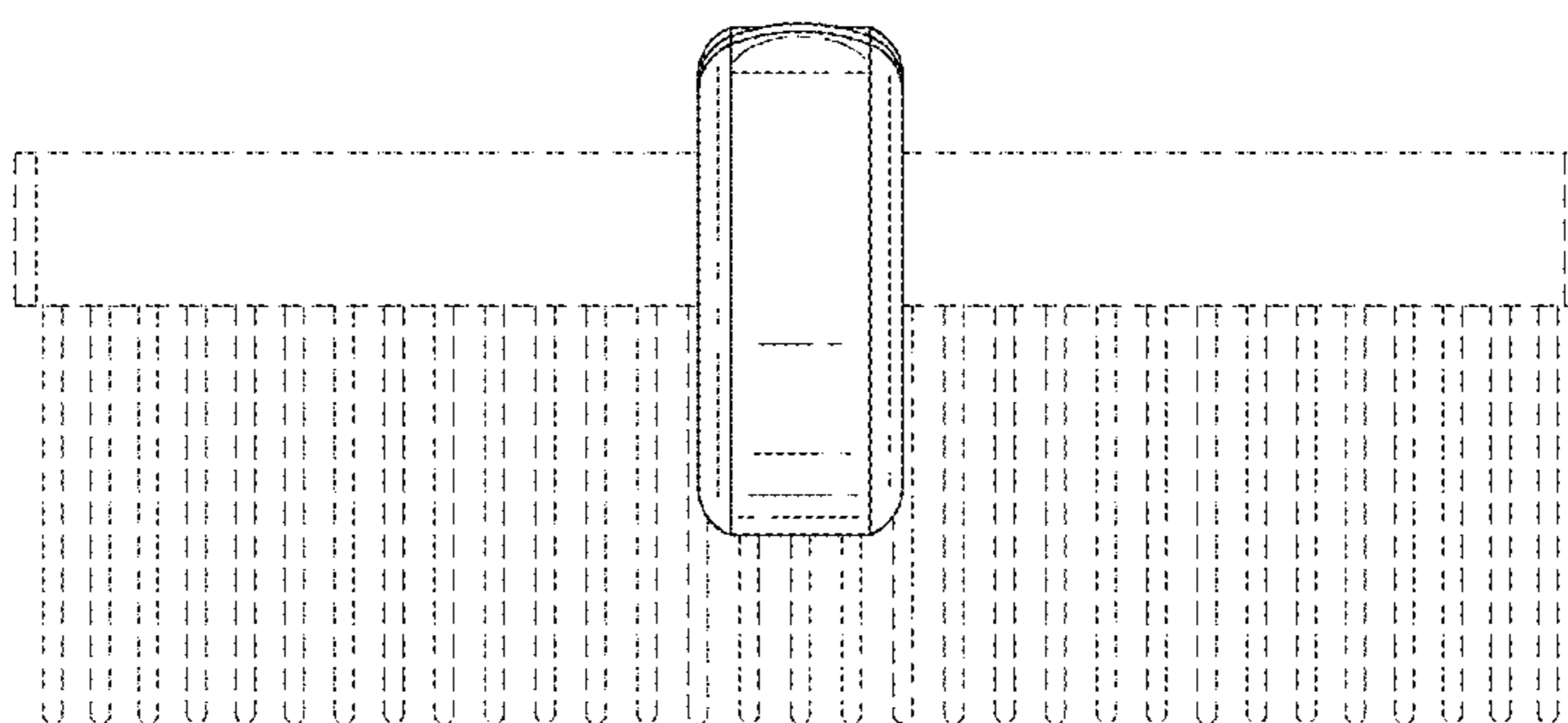
*FIG. 1*



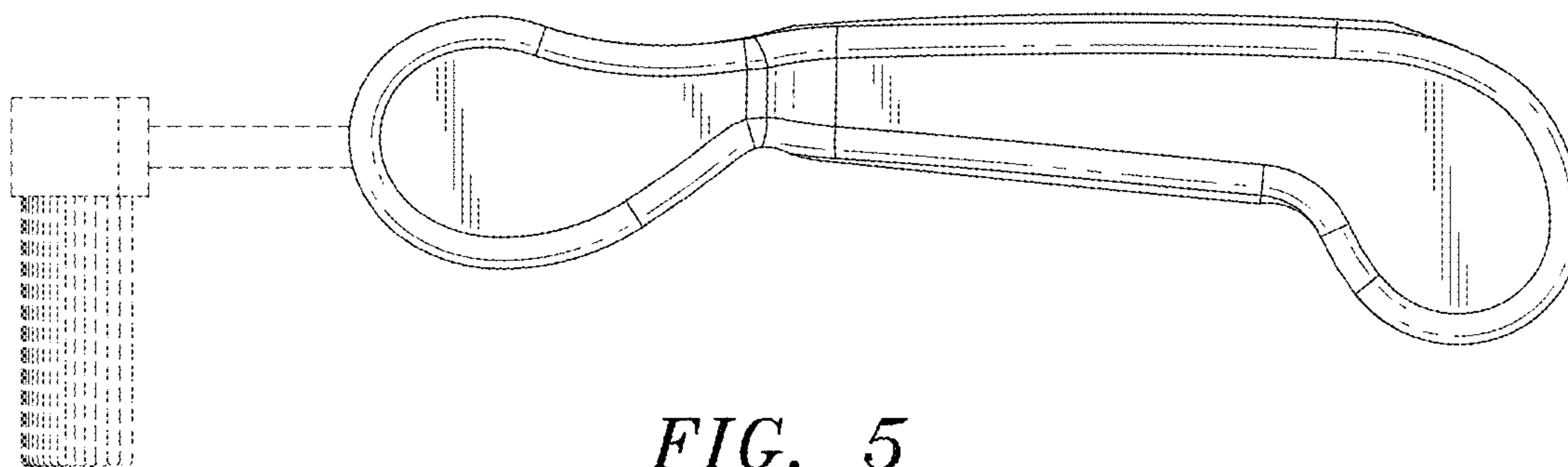
*FIG. 2*



*FIG. 3*



*FIG. 4*



*FIG. 5*

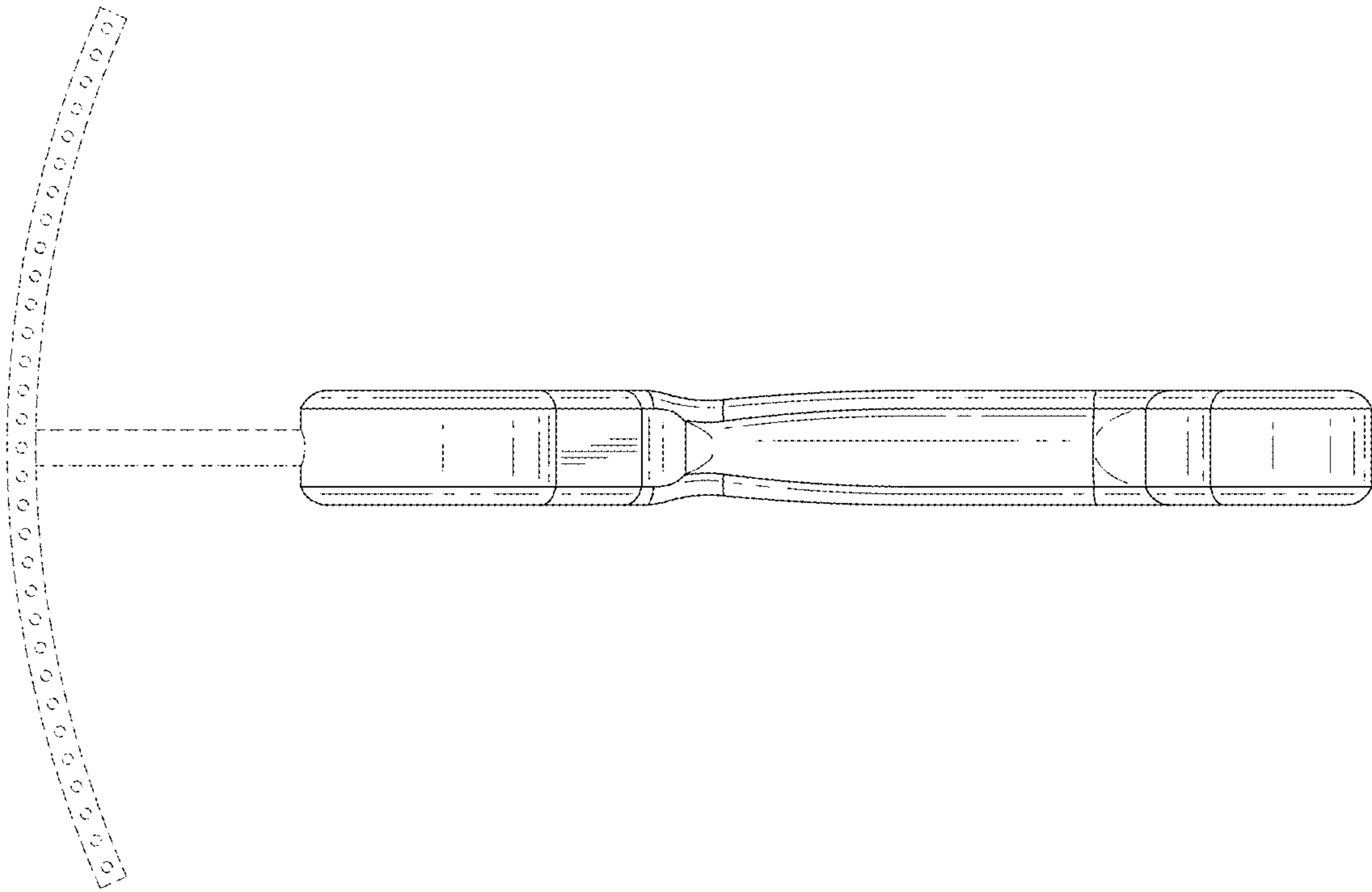


FIG. 7

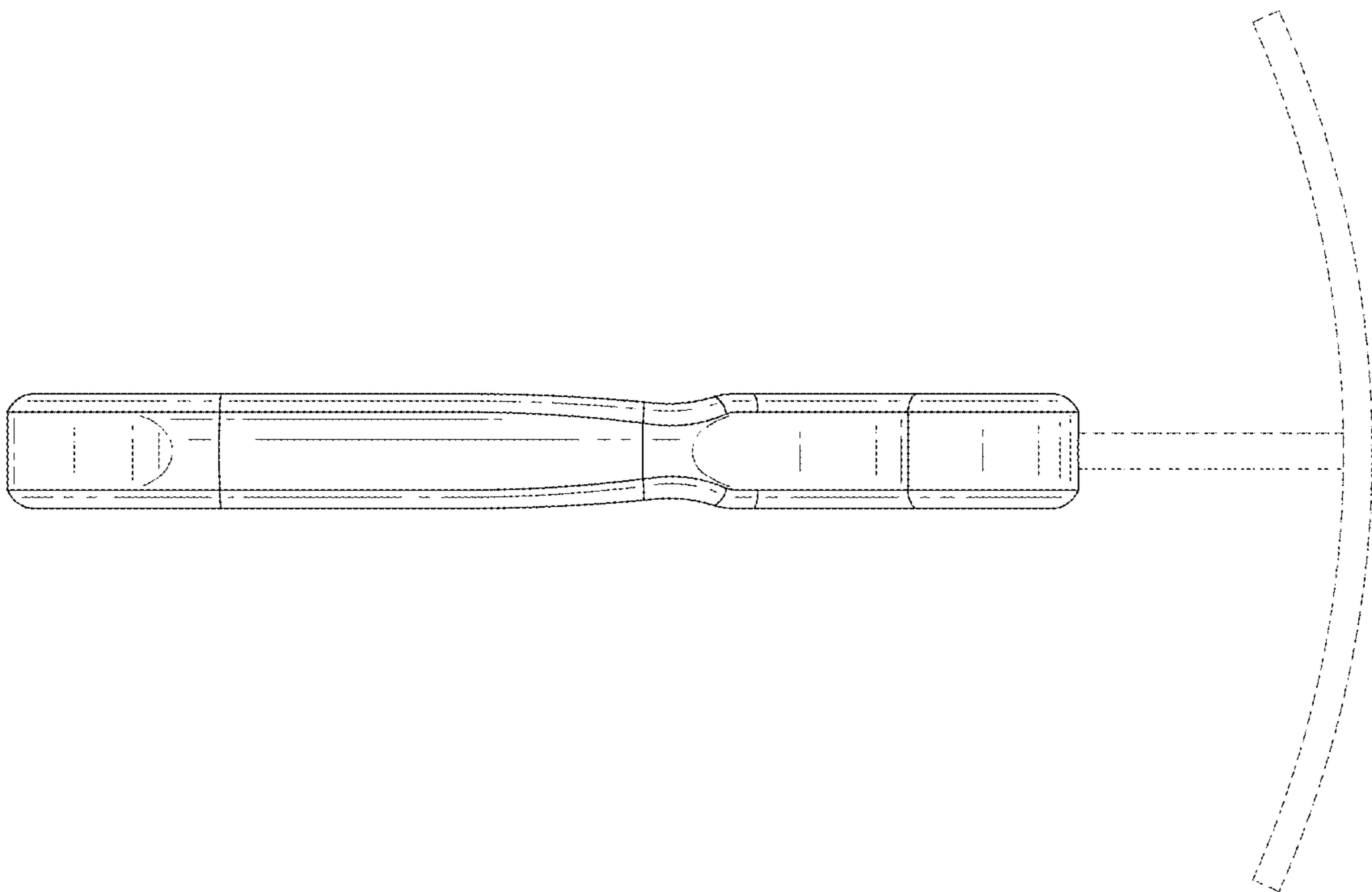
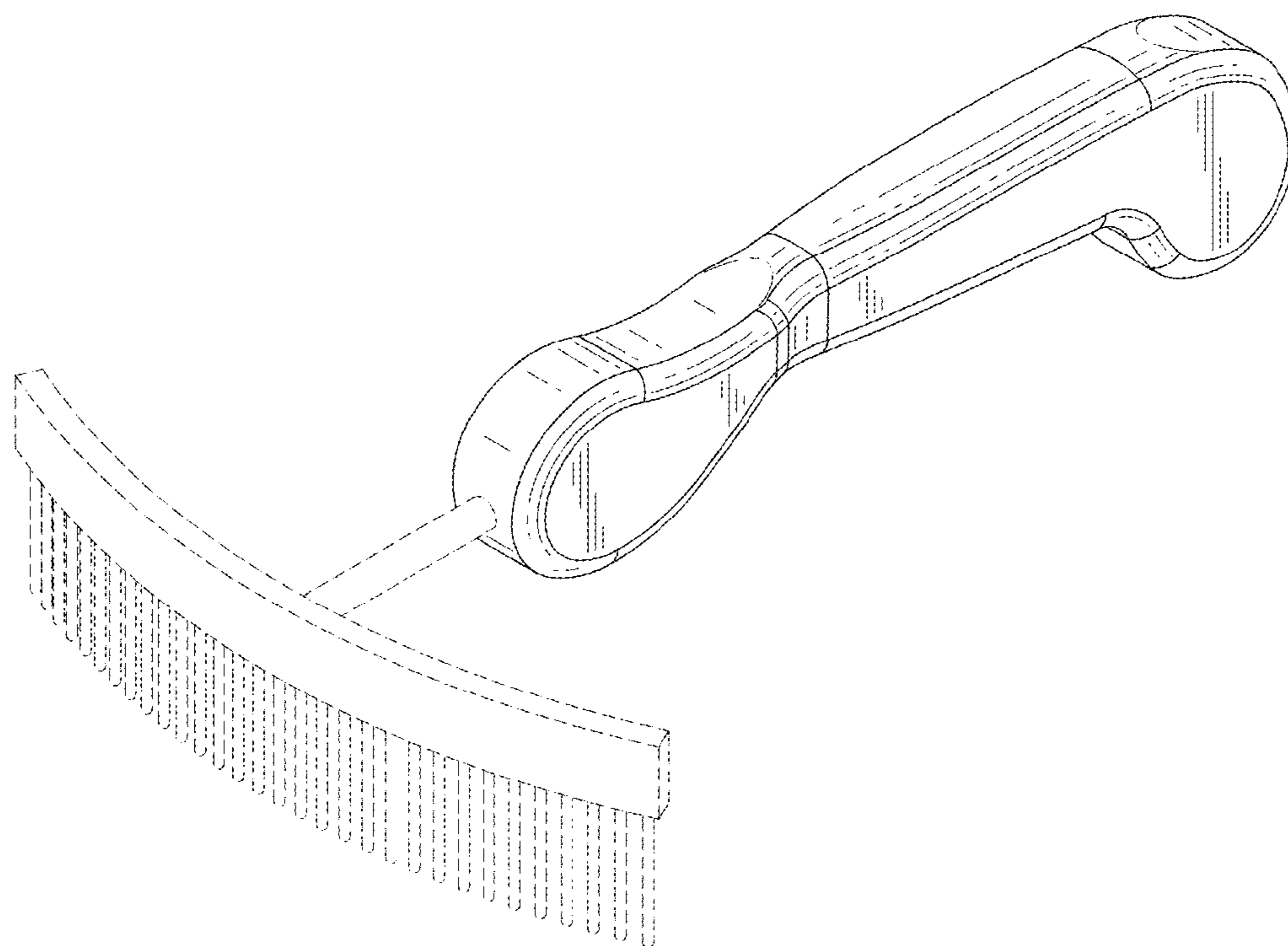
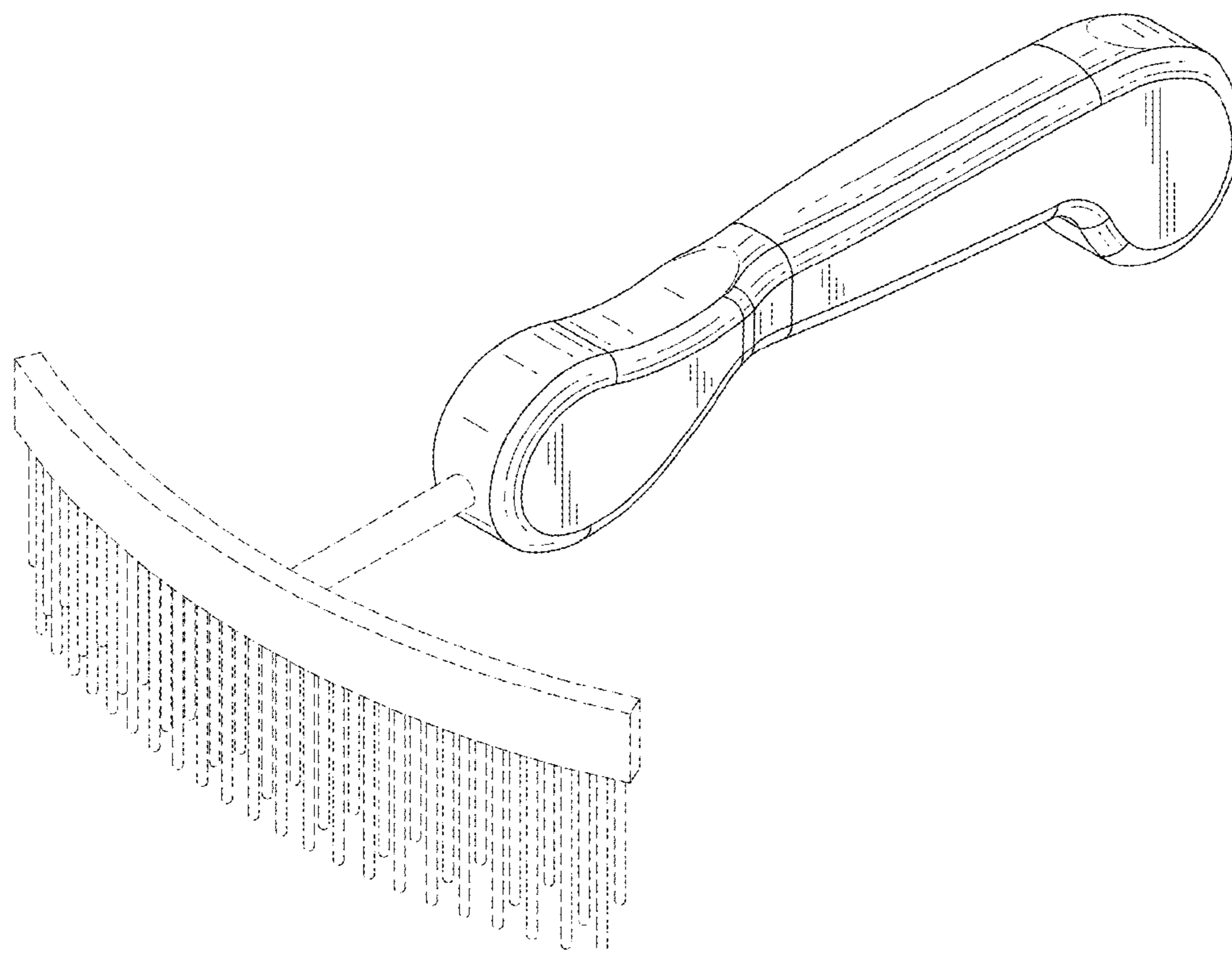


FIG. 6



*FIG. 8*



*FIG. 9*