



US00D901096S

(12) **United States Design Patent** (10) **Patent No.:** **US D901,096 S**
MacNeil et al. (45) **Date of Patent:** **** Nov. 3, 2020**

(54) **PET WATER STATION**

(71) Applicant: **MACNEIL IP LLC**, Bolingbrook, IL (US)

(72) Inventors: **David F. MacNeil**, Fort Lauderdale, FL (US); **Frederick W. Masanek, Jr.**, Barrington, IL (US)

(73) Assignee: **MACNEIL IP LLC**, Bolingbrook, IL (US)

(**) Term: **15 Years**

(21) Appl. No.: **29/731,055**

(22) Filed: **Apr. 10, 2020**

CPC A01K 5/00; A01K 5/01; A01K 5/0107; A01K 5/0114; A01K 5/0121; A01K 5/0128; A01K 5/0135; A01K 7/005
See application file for complete search history.

(56) **References Cited**

U.S. PATENT DOCUMENTS

491,702	A *	2/1893	Felix	A01K 5/0135
					119/61.54
1,135,269	A *	4/1915	Dudley	A47B 13/08
					108/90
D47,846	S *	9/1915	Eustis	D7/566
D52,657	S *	11/1918	Howland	D7/550.1
1,881,416	A *	10/1932	Uhalt	A47G 23/06
					220/23.8
D102,968	S	1/1937	Farber		
D103,307	S	2/1937	Cory		
2,560,708	A *	7/1951	Titus	A47D 1/10
					297/153
2,651,926	A	9/1953	Enslein		
D172,715	S	7/1954	Hogan		
2,738,891	A	3/1956	Pitto		
2,813,509	A	11/1957	Bruno		
D183,822	S *	11/1958	Barnhart	D7/553.8
2,878,932	A *	3/1959	Martire, Jr.	A47G 23/06
					206/564
2,893,163	A *	7/1959	Hazel, Jr.	A47G 23/03
					248/346.11
D186,040	S *	9/1959	Stageberg	D7/566
2,919,456	A *	1/1960	Spivey	A47L 23/266
					15/215
3,019,783	A *	2/1962	Clarke	A47J 39/02
					126/375.1
3,190,486	A *	6/1965	Rech	A47G 19/02
					220/574
3,195,510	A	7/1965	Bernstein		
3,232,662	A *	2/1966	Graves	A47C 3/18
					297/119
3,637,454	A *	1/1972	Pavernick	A47G 11/003
					428/71
3,729,037	A *	4/1973	Dare	A47G 19/03
					150/158
3,745,974	A *	7/1973	Karasz	A01K 1/0121
					294/1.3
D229,073	S *	11/1973	Brickel	D30/130
D231,180	S	4/1974	Vigue		
D233,581	S	11/1974	Bridges et al.		
D236,790	S *	9/1975	Bruno et al.	D7/388
D238,592	S *	1/1976	Goldman et al.	D30/133

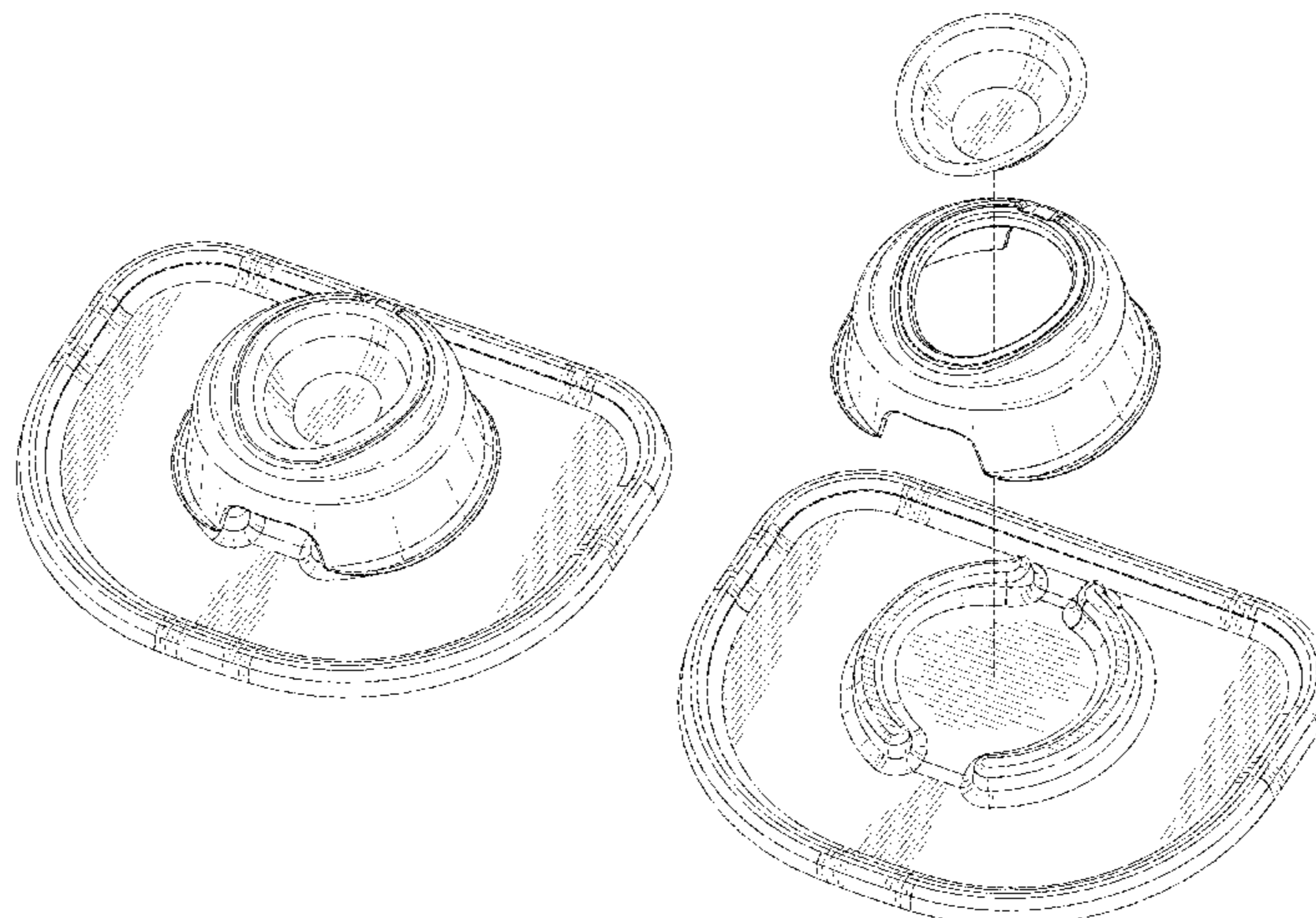
Related U.S. Application Data

(60) Division of application No. 29/621,052, filed on Oct. 4, 2017, now Pat. No. Des. 887,650, which is a continuation-in-part of application No. 29/602,916, filed on May 4, 2017, now Pat. No. Des. 873,503, which is a continuation-in-part of application No. 29/560,208, filed on Apr. 4, 2016, now Pat. No. Des. 802,853.

(51) **LOC (12) Cl.** **30-03**

(52) **U.S. Cl.**
USPC **D30/133**; D30/129; D30/121

(58) **Field of Classification Search**
USPC D30/133, 121, 128, 130, 132, 122, 129; 119/52.1, 55, 61.5-61.56, 51.01, 51.03, 119/59, 62, 63, 51.5, 57.8, 74, 61; D6/480-485; 248/188, 151; 312/204; 108/153.1-157, 25-26; 220/23.87, 630, 220/737, 743, 9.4, 495.01, 574, 212, 255, 220/23.83, 575; 206/515, 557, 560, 562, 206/563, 565; D7/586, 543, 550.1, 587, D7/505, 584, 545, 500, 553.1-553.8, 546, D7/555, 556, 504, 565, 562, 602, 507, D7/549, 558, 552.2, 560, 566, 548, 681; D9/429; 43/109; D22/122; 99/430, 99/DIG. 15



US D901,096 S

D242,515 S *	11/1976	Shumrak et al.	D7/553.5	D504,196 S	4/2005	Huthmaker et al.	
3,995,844 A *	12/1976	Hellman	A22C 17/02 269/54.5	D504,799 S	5/2005	Lawson et al.	
4,065,195 A	12/1977	Fahmie		6,912,970 B2	7/2005	Sage, Jr.	
4,093,041 A *	6/1978	Davis	A47J 39/006 126/268	D508,822 S *	8/2005	Smith	D7/545
D251,652 S	4/1979	Molloy		D512,801 S *	12/2005	Kratzer	D30/130
D255,527 S	6/1980	Seager		D517,743 S *	3/2006	Perrin	D29/119
D259,669 S	6/1981	Peterson		D521,690 S	5/2006	Krcek et al.	
D279,067 S *	6/1985	Kuster	D7/554.2	D523,186 S	6/2006	Northrop	
4,530,867 A	7/1985	Gorman		D523,695 S *	6/2006	Haataja	D7/543
D281,481 S *	11/1985	Geiser	D7/359	D538,814 S	3/2007	Cranford et al.	
4,576,118 A	3/1986	Meadow		D541,486 S	4/2007	Mahaffey	
4,584,966 A *	4/1986	Moore	A01K 7/00 119/73	D541,488 S	4/2007	Marsh	
D299,010 S	12/1988	Wall		D550,407 S	9/2007	Spiwak	
4,880,112 A	11/1989	Conrad		D551,400 S	9/2007	Tsengas et al.	
4,907,539 A	3/1990	Abulhasan		D558,931 S	1/2008	Hood et al.	
4,955,321 A	9/1990	Waldner		D563,606 S	3/2008	Hood et al.	
4,989,846 A	2/1991	Quinn		7,341,019 B1	3/2008	Tsenges	
D321,809 S	11/1991	Zobrist		7,387,082 B1	6/2008	Fried	
5,161,713 A *	11/1992	English	B65D 47/265 222/23	D573,466 S	7/2008	White et al.	
D335,797 S *	5/1993	DeGrow	D7/553.5	D582,265 S	12/2008	Helfman	
D336,592 S *	6/1993	DeGrow	D7/396.1	D583,111 S	12/2008	Molina-Justin	
5,221,032 A	6/1993	Bolt et al.		7,475,937 B2	1/2009	McGrew et al.	
D342,642 S *	12/1993	Brazis	D7/316	D590,551 S	4/2009	Sperbeck	
D344,436 S *	2/1994	Walls	D7/553.4	D607,616 S *	1/2010	Newsome	D30/129
D348,646 S *	7/1994	Reuben	D12/203	7,673,934 B2	3/2010	Bearup et al.	
D353,233 S *	12/1994	Robles	D30/130	7,681,525 B1	3/2010	Trulove	
5,390,798 A *	2/1995	Yanuzzi	A47G 19/065 206/519	D613,999 S *	4/2010	Sierra	D7/587
D358,233 S *	5/1995	Weaver	D30/133	D623,358 S	9/2010	Kim	
D362,090 S	9/1995	Baldwin et al.		D623,359 S	9/2010	Kim	
D362,363 S *	9/1995	Friedman	5/414	7,789,041 B1	9/2010	Taylor	
D362,389 S	9/1995	Frye		D625,885 S	10/2010	Bianchi	
5,467,738 A	11/1995	Cass		D626,791 S *	11/2010	Sierra	D7/587
D371,644 S	7/1996	Lillelund et al.		7,845,845 B1 *	12/2010	Kelly	B01F 15/00824 366/274
D373,932 S *	9/1996	Onneweer	D7/315	D630,512 S	1/2011	Venier	
D374,109 S *	9/1996	Lillelund	D30/121	D634,167 S	3/2011	Foster	
5,560,316 A	10/1996	Lillelund et al.		D634,486 S *	3/2011	Graham-Cretcher	D30/129
5,580,037 A *	12/1996	Gore	A47G 19/02 220/574.1	7,913,648 B2 *	3/2011	Maeda	A01K 7/027 119/61.52
5,605,247 A	2/1997	Eamshaw		D636,674 S *	4/2011	Golota	D9/452
5,626,256 A *	5/1997	Onneweer	A47J 43/0727 220/574	D636,945 S	4/2011	Anderson et al.	
D384,778 S	10/1997	Powers et al.		D640,486 S *	6/2011	Saelid	D6/696.1
D386,838 S *	11/1997	Pini	D30/133	D641,628 S *	7/2011	Baughman	D9/452
5,709,168 A *	1/1998	Walker	A01K 5/01 119/61.5	7,992,714 B1 *	8/2011	Devault	A47G 19/10 206/564
D392,884 S	3/1998	Hayes		D646,440 S	10/2011	Chance et al.	
5,743,210 A	4/1998	Lampe		D646,442 S	10/2011	Chance et al.	
5,845,605 A	12/1998	Malamphy		D646,852 S	10/2011	Chance et al.	
D411,709 S	6/1999	Curtis et al.		D653,000 S	1/2012	Rutherford	
D412,605 S	8/1999	Sharon		8,148,651 B1 *	4/2012	Coppola	A01K 5/0114 177/25.16
D413,209 S	8/1999	Jarke		8,162,390 B2	4/2012	Zhong	
D415,657 S *	10/1999	Cornelissen	D7/566	D659,300 S	5/2012	Lipscomb	
D415,933 S *	11/1999	Cornelissen	D7/354	D659,913 S	5/2012	Spectre et al.	
D432,280 S *	10/2000	Quinlan	D30/129	D659,914 S	5/2012	Lipscomb	
D433,580 S	11/2000	Jarke et al.		8,201,879 B2	6/2012	Hartenstine et al.	
D435,705 S	12/2000	Powers et al.		D669,231 S	10/2012	Chance et al.	
6,179,377 B1 *	1/2001	Harper	A47G 19/10 297/148	D670,041 S	10/2012	Chance et al.	
6,209,487 B1	4/2001	Quinlan et al.		D670,450 S	11/2012	Graves et al.	
D441,441 S *	5/2001	Upson	D23/366	D687,938 S	8/2013	Furner et al.	
D442,831 S *	5/2001	Jacobs	D7/584	8,516,975 B2	8/2013	Becattini, Jr. et al.	
D448,978 S	10/2001	Isbell		D694,849 S	12/2013	Ots	
D454,321 S *	3/2002	Lu	D12/203	D703,393 S	4/2014	Henley	
6,427,626 B1 *	8/2002	Quinlan	A01K 5/0128 119/51.01	D707,557 S	6/2014	Corradini et al.	
D477,691 S	7/2003	Crowley		8,752,507 B2	6/2014	Korrie	
D487,669 S *	3/2004	Smith	D7/396.1	D709,654 S	7/2014	Lipscomb et al.	
D487,823 S	3/2004	Wang		D710,980 S	8/2014	Pollard, Jr.	
6,705,249 B2	3/2004	Quinlan et al.		D712,204 S *	9/2014	Hatcher	D7/553.5
D493,672 S *	8/2004	Jalet	D7/586	D716,003 S	10/2014	Brown	
6,786,177 B1 *	9/2004	Lemkin	A01K 5/0114 119/51.01	D717,104 S	11/2014	Redfern	
D499,933 S *	12/2004	Rutter	D7/359	D720,948 S *	1/2015	Gonzalez	D6/656.13
				D722,407 S	2/2015	Roslonski et al.	
				D725,836 S	3/2015	Avalos Sartorio et al.	
				8,985,054 B2	3/2015	Lipscomb et al.	
				D726,981 S	4/2015	Yessin	
				D727,576 S	4/2015	Avalos Sartorio et al.	
				9,039,079 B2 *	5/2015	Huntsberger	A47D 1/0085 297/153
				9,044,077 B1	6/2015	Lin	

9,089,208 B2* 7/2015 Zimmerman A47B 23/02
D735,573 S * 8/2015 Jondal D9/426
D737,103 S * 8/2015 Cloutier D7/554.2
9,095,117 B1 8/2015 Kumar
9,144,321 B2* 9/2015 Melo A47G 11/004
D741,742 S * 10/2015 Kunnas D11/155
D742,220 S * 11/2015 Eyerman D9/426
D744,173 S 11/2015 Jones et al.
D744,174 S 11/2015 Jones et al.
D745,327 S * 12/2015 Laurain D7/555
9,226,478 B1 1/2016 Uhl
D751,381 S 3/2016 Torrison et al.
D751,382 S 3/2016 Torrison et al.
D755,447 S 5/2016 Andrews et al.
D756,042 S * 5/2016 Kulesus D30/129
D757,373 S 5/2016 Breit
D758,674 S 6/2016 Youn
D767,941 S 10/2016 Laurain
D770,099 S 10/2016 Jones et al.
9,504,285 B2 11/2016 Lin
D774,361 S 12/2016 Laurain
D774,887 S * 12/2016 Torrison D9/416
D777,992 S * 1/2017 Tsengas D30/129
9,546,033 B2 1/2017 Everingham
9,560,919 B2* 2/2017 Terhune A47D 1/004
D781,109 S 3/2017 Rubino
9,723,812 B2 8/2017 Jones et al.
D797,521 S 9/2017 Kellow, Jr.
D802,368 S 11/2017 Peng
D802,853 S 11/2017 MacNeil et al.
D807,705 S 1/2018 Laurain
D811,666 S * 2/2018 Lopez D30/133
D812,433 S 3/2018 Kwok
D823,553 S * 7/2018 Liu D30/130
D824,119 S * 7/2018 Yang D30/130
D830,007 S 10/2018 Harris
D834,765 S 11/2018 Reissig
D836,990 S 1/2019 Hakim
D838,142 S * 1/2019 Davies D7/553.2
D850,858 S 6/2019 Roaks
D868,391 S 11/2019 Townsend
D869,781 S * 12/2019 Han D30/130
D870,982 S 12/2019 Tsai
D873,502 S * 1/2020 MacNeil D30/130
D873,503 S * 1/2020 MacNeil D30/133
D873,504 S * 1/2020 MacNeil D30/133
D880,787 S * 4/2020 Price D30/133
D880,788 S * 4/2020 Price D30/133
D882,882 S * 4/2020 MacNeil D30/133
D887,650 S * 6/2020 MacNeil D30/133
2003/0106498 A1 6/2003 Mersits et al.
2003/0152736 A1 8/2003 Bass
2004/0011934 A1 1/2004 Czepowicz et al.
2005/0039689 A1 2/2005 Mossmer
2005/0039690 A1 2/2005 Sage, Jr.
2005/0045113 A1 3/2005 Wetterer et al.
2005/0115508 A1 6/2005 Little
2005/0229793 A1 10/2005 Wengrovsky
2005/0235919 A1 10/2005 Willinger et al.
2006/0005775 A1 1/2006 Ritchey et al.
2006/0096544 A1 5/2006 Spiwak
2006/0272589 A1 12/2006 Cheney
2007/0089678 A1 4/2007 Greenwood
2007/0199512 A1 8/2007 Ellis
2007/0264450 A1 11/2007 White et al.
2008/0245947 A1 10/2008 Webb et al.
2009/0126641 A1 5/2009 Anderson et al.
2009/0199775 A1 8/2009 Shamoan
2009/0241844 A1 10/2009 Becattini, Jr. et al.
2010/0012042 A1 1/2010 Lee
2010/0107984 A1 5/2010 Uffner et al.
2010/0162961 A1 7/2010 Hove et al.
2010/0180827 A1 7/2010 Becattini, Jr. et al.
2010/0275852 A1 11/2010 Lipscomb et al.
2011/0253054 A1 10/2011 Hargrove
2012/0186497 A1 7/2012 Spano
2013/0118412 A1* 5/2013 Korrie A01K 5/0135
119/61.54
2013/0334377 A1 12/2013 Lee

2014/0261203 A1 9/2014 Renforth et al.
2014/0346293 A1 11/2014 Qui
2015/0101543 A1 4/2015 Baxter et al.
2015/0214090 A1 7/2015 Jin et al.
2016/0037744 A1* 2/2016 Rudin A01K 5/0107
119/28.5
2016/0073805 A1 3/2016 Laurain
2016/0120147 A1* 5/2016 Antonio A01K 5/0135
119/61.55
2016/0219832 A1* 8/2016 Langston A01K 5/0142
2017/0086423 A1* 3/2017 Wall A01K 5/0135
2017/0280675 A1 10/2017 MacNeil et al.
2018/0014505 A1 1/2018 MacNeil et al.
2018/0020637 A1* 1/2018 MacNeil A01K 5/0135
119/61.54
2018/0199542 A1* 7/2018 Foster A01K 5/0135
2018/0242553 A1* 8/2018 Nemeth B65D 25/04
2018/0368594 A1* 12/2018 Hakim F16B 47/00
2019/0281789 A1* 9/2019 Padia A01K 7/005

FOREIGN PATENT DOCUMENTS

JP D1232810 3/2005

OTHER PUBLICATIONS

International Searching Authority, Written Opinion, dated Aug. 17, 2017, seven pages.
Doctor'S Advice Peppy, Pet Feeding Systems, catalog, Aug. 31, 2002, vol. 20, Japan.
Benesse Corporation, Pet Feeding Station, web page, downloaded prior to Nov. 21, 2017, Japan.
Amazon.com, Collapsible Pet Feeder—small, pink, web page, downloaded prior to Nov. 21, 2017, Japan.
T-K-MAXX, Pink Flexi Pet Bowl Duo, web page, downloaded prior to Nov. 21, 2017, Japan.
Iris Ohyama Incorporated, Pet Feeding Bowls, web page, Jul. 2, 2007.
Amazon.com, Double Bowl Feeding Station by Pupmoms, web page, Jan. 10, 2018.
National Center for Industrial Property Information and Training, house.richell.co.jp, Oblong Bowls, downloaded Jan. 10, 2018.
Nissen Company Limited, Oblong Bowl, web page, downloaded prior to Dec. 5, 2017, Japan.
National Center for Industrial Property Information and Training, www.e-narumi.com, Oblong Bowl, downloaded Jan. 10, 2018.

* cited by examiner

Primary Examiner — Susan Moon Lee
(74) Attorney, Agent, or Firm — Perkins IP Law Group LLC; Jefferson Perkins

(57) CLAIM

We claim the ornamental design for a pet water station, as shown and described.

DESCRIPTION

FIG. 1 is a top perspective of a first embodiment of a pet water station in accordance with our design;
FIG. 2 is a top perspective exploded view of the embodiment shown in FIG. 1;
FIG. 3 is a bottom perspective exploded view of the embodiment shown in FIG. 1;
FIG. 4 is a top view of the embodiment shown in FIG. 1;
FIG. 5 is a front view of the embodiment shown in FIG. 1;
FIG. 6 is a rear view of the embodiment shown in FIG. 1;

FIG. 7 is a left side view of the embodiment shown in FIG. 1, a right side view thereof being a mirror image of the left side view;
FIG. 8 is a top perspective view of a stand used in the embodiment shown in FIG. 1;
FIG. 9 is a top view of the stand shown in FIG. 8;
FIG. 10 is a front view of the stand shown in FIG. 8;
FIG. 11 is a rear view of the stand shown in FIG. 8;
FIG. 12 is a right side view of the stand shown in FIG. 8, a left side view thereof being a mirror image of the right side view;
FIG. 13 is a sectional view taken along Line 13-13 of FIG. 9;
FIG. 14 is a sectional view taken along Line 14-14 of FIG. 9;
FIG. 15 is a top perspective view of a mat used in the embodiment shown in FIG. 1;
FIG. 16 is a top view of the mat shown in FIG. 15;
FIG. 17 is a front view of the mat shown in FIG. 15;
FIG. 18 is a rear view of the mat shown in FIG. 15;
FIG. 19 is a right side view of the mat shown in FIG. 15, a left side view thereof being a mirror image of the right side view;
FIG. 20 is a sectional view taken along Line 20-20 of FIG. 16;
FIG. 21 is a sectional view taken along Line 21-21 of FIG. 16;
FIG. 22 is a top perspective view of a second embodiment of the pet water station;
FIG. 23 is a top perspective exploded view of the embodiment shown in FIG. 22;
FIG. 24 is a bottom perspective exploded view of the embodiment shown in FIG. 22;
FIG. 25 is a rear view of the embodiment shown in FIG. 22;
FIG. 26 is a left side view of the embodiment shown in FIG. 22, a right side view thereof being a mirror image of the left side view;

FIG. 27 is a top perspective view of a stand used in the embodiment shown in FIG. 22;
FIG. 28 is a top view of the embodiment shown in FIG. 22;
FIG. 29 is a front view of the embodiment shown in FIG. 22;
FIG. 30 is a top view of the stand shown in FIG. 27;
FIG. 31 is a front view of the stand shown in FIG. 27;
FIG. 32 is a rear view of the stand shown in FIG. 27;
FIG. 33 is a right side view of the stand shown in FIG. 27, a left side view thereof being a mirror image of the right side view;
FIG. 34 is a sectional view taken along Line 34-34 of FIG. 30;
FIG. 35 is a sectional view taken along Line 35-35 of FIG. 30;
FIG. 36 is a top perspective view of a mat used in the embodiment shown FIG. 22;
FIG. 37 is a top view of the mat shown in FIG. 36;
FIG. 38 is a front view of the mat shown in FIG. 36;
FIG. 39 is a rear view of the mat shown in FIG. 36;
FIG. 40 is a left side view of the mat shown in FIG. 36, a right side thereof being a mirror image of the left side view;
FIG. 41 is a sectional view taken along Line 41-41 of FIG. 37; and,
FIG. 42 is a sectional view taken along Line 42-42 of FIG. 37.
The bottoms of the assembled stations shown in FIGS. 1-7, 22-26, 28 and 29, the bottoms of the stands shown in FIGS. 8-14, 27 and 30-35, and the bottoms of the mats shown in FIGS. 15-21 and 36-42 are unadorned and form no portion of the claimed design.
Broken lines and unshaded portions contained within broken lines are shown for illustrative purposes only and form no part of the claimed design.

1 Claim, 20 Drawing Sheets

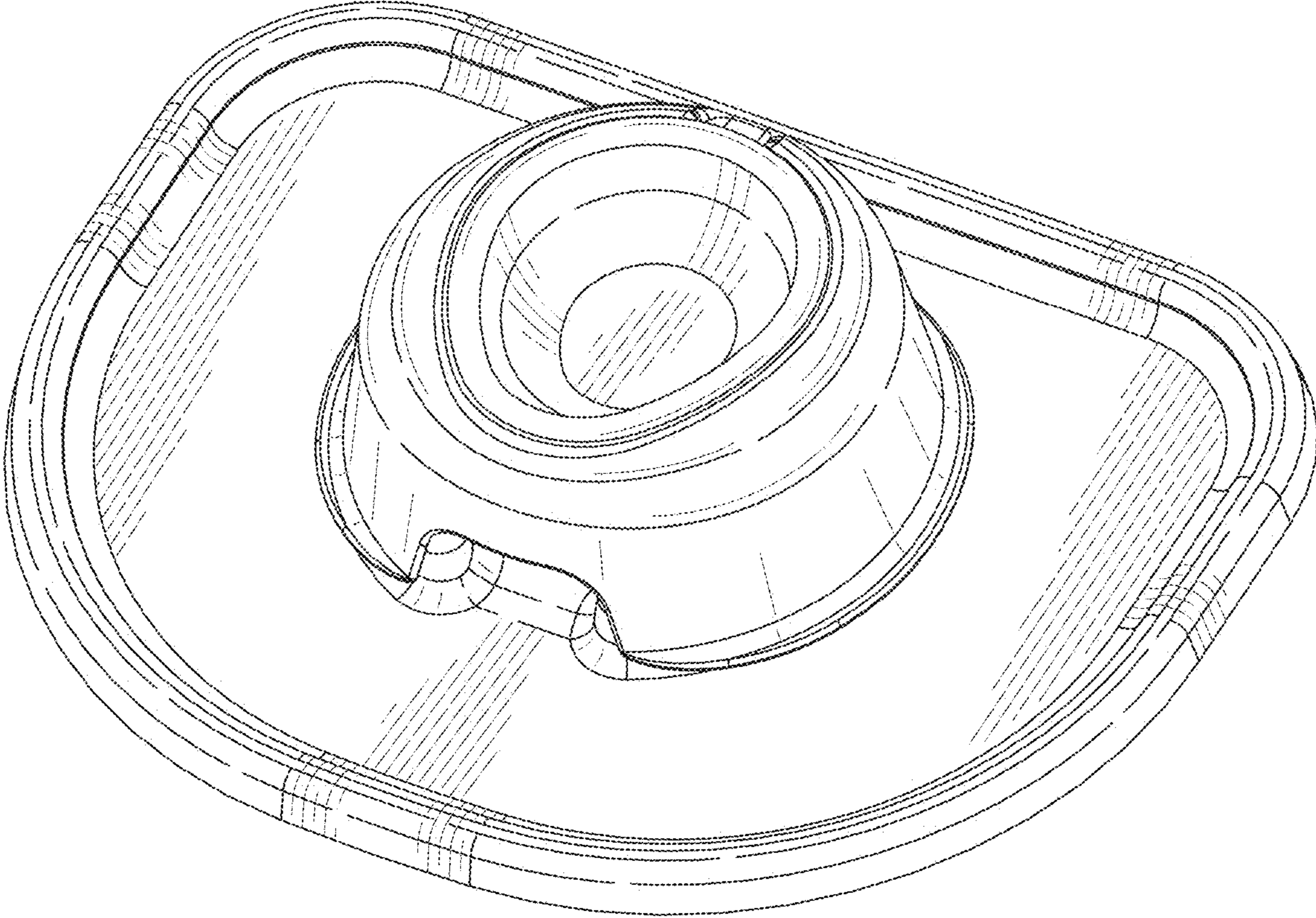


FIG. 1

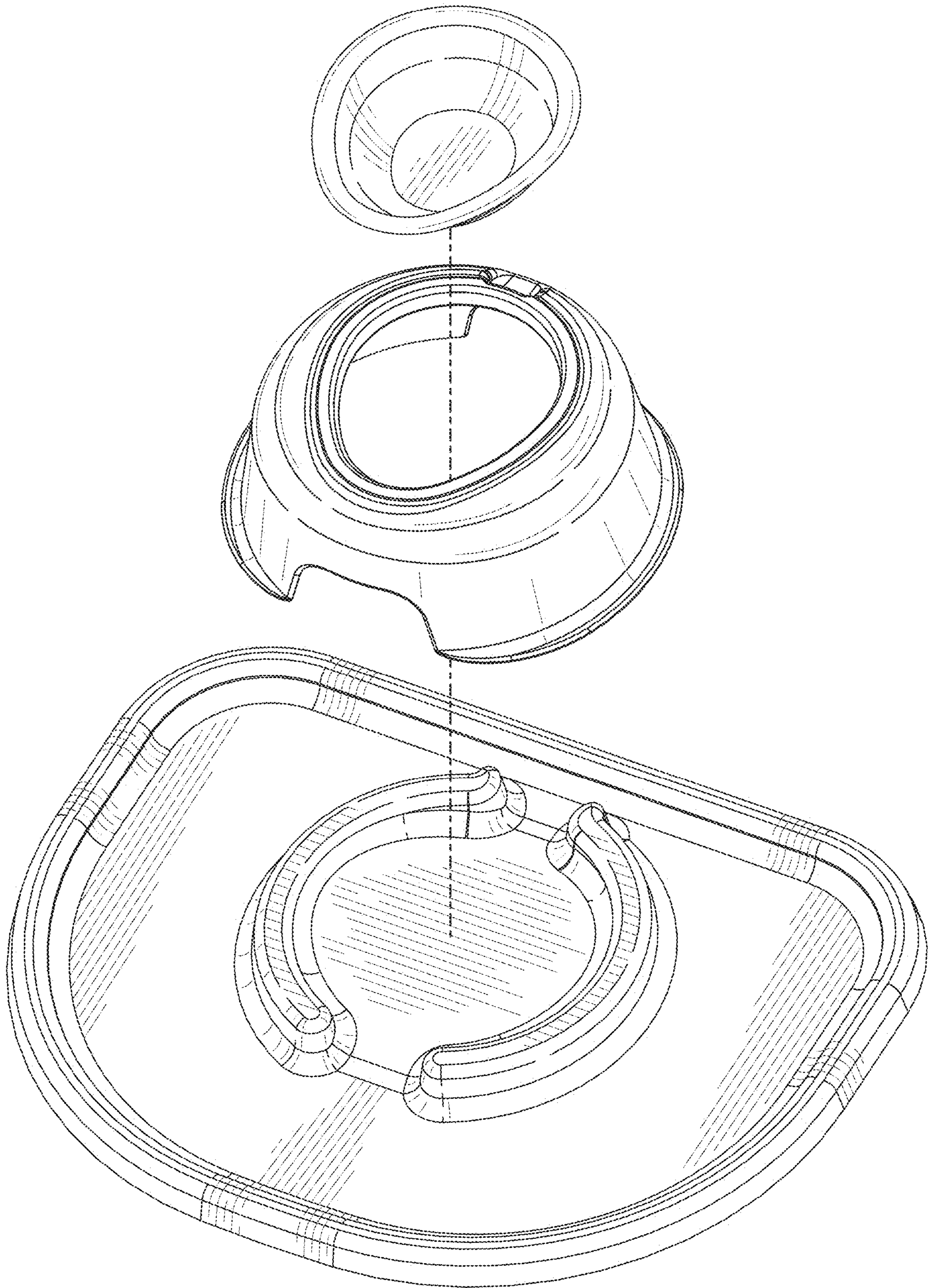


FIG. 2

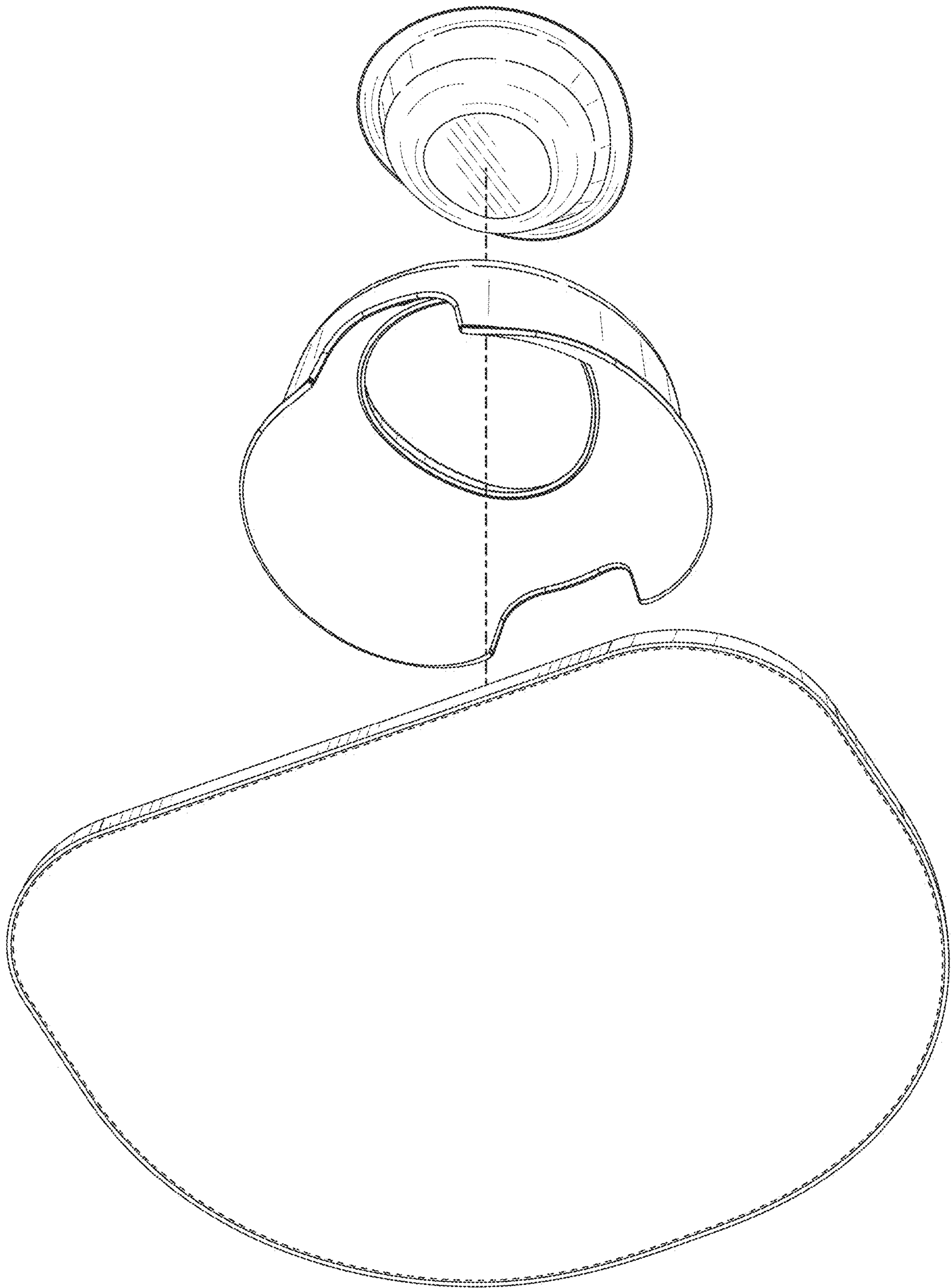


FIG. 3

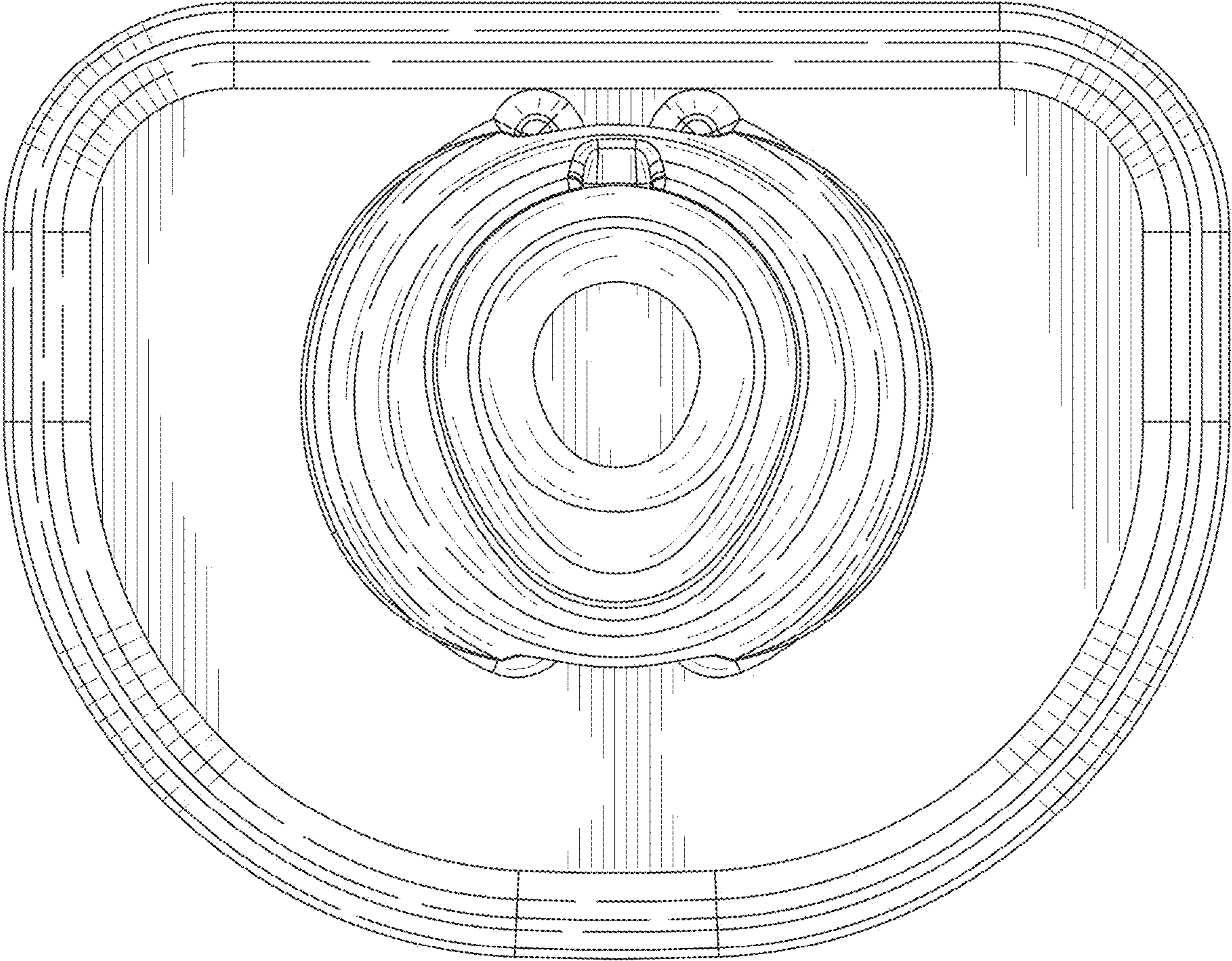


FIG. 4

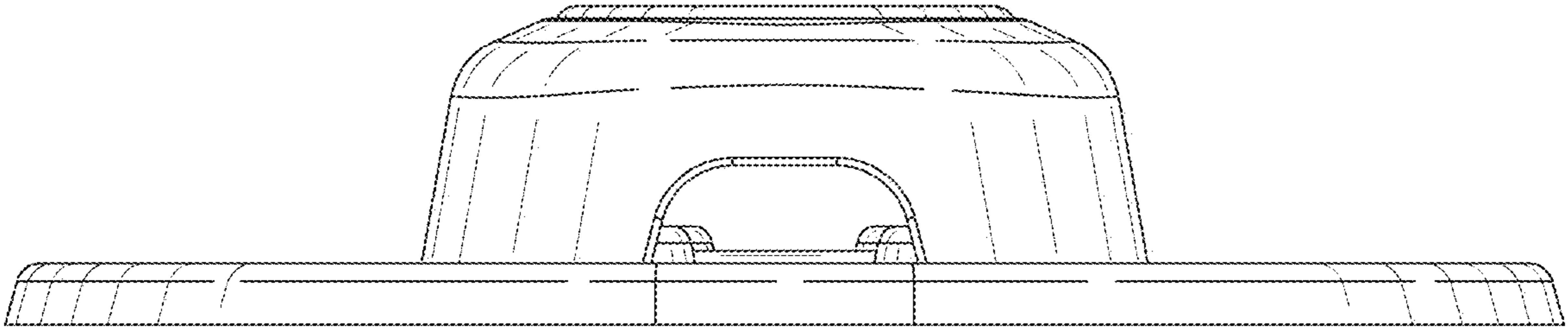


FIG. 5

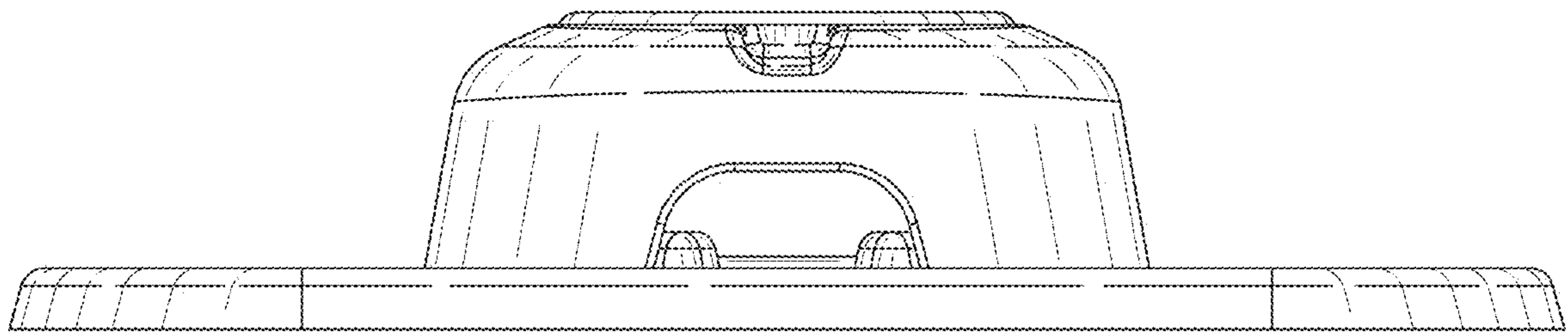


FIG. 6

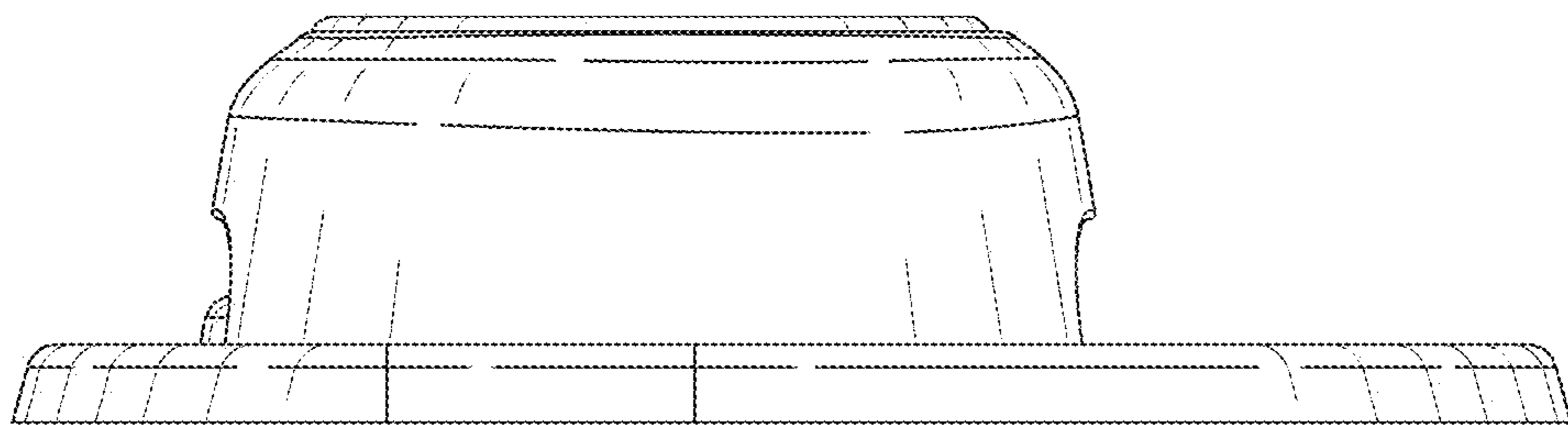


FIG. 7

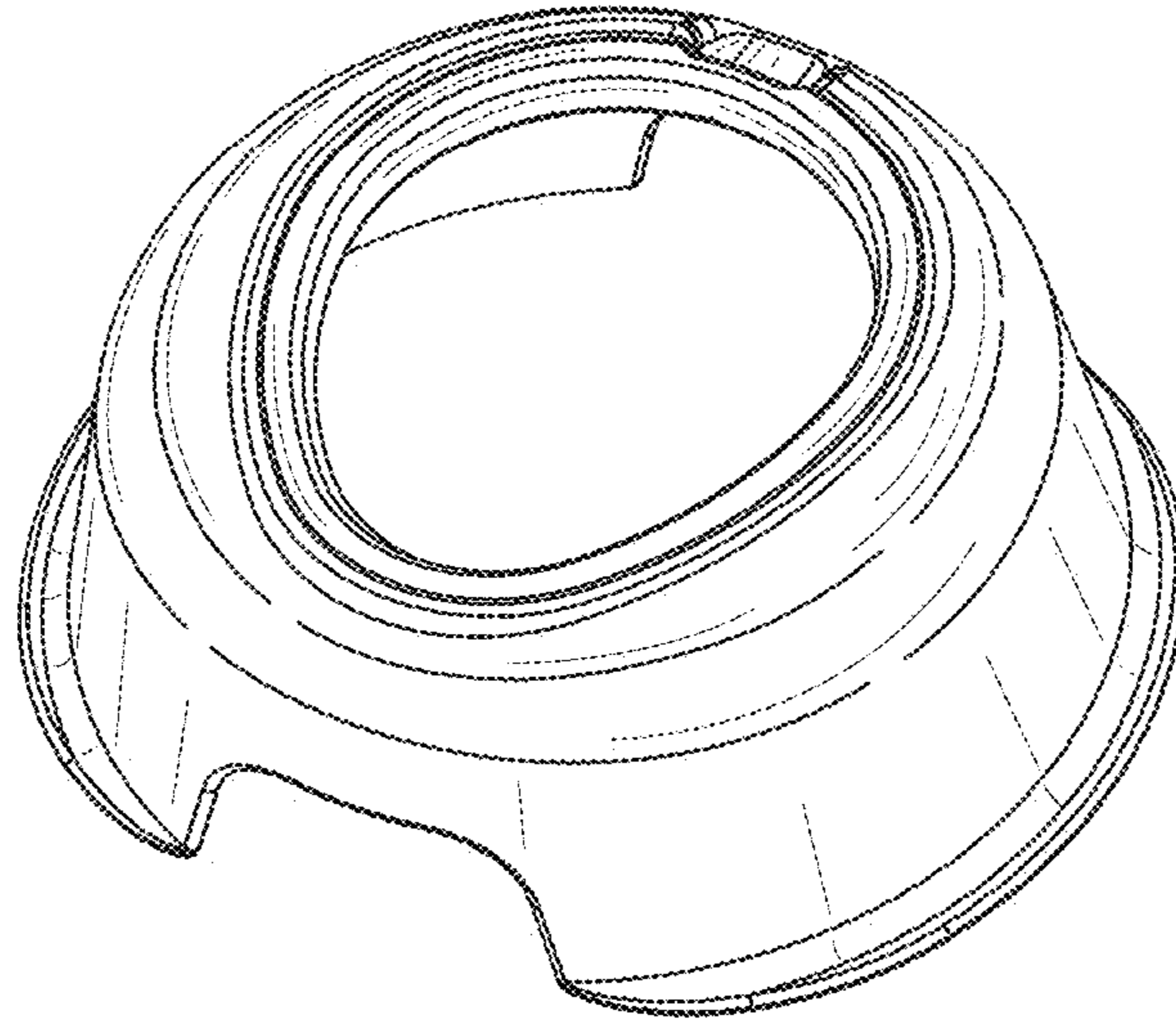
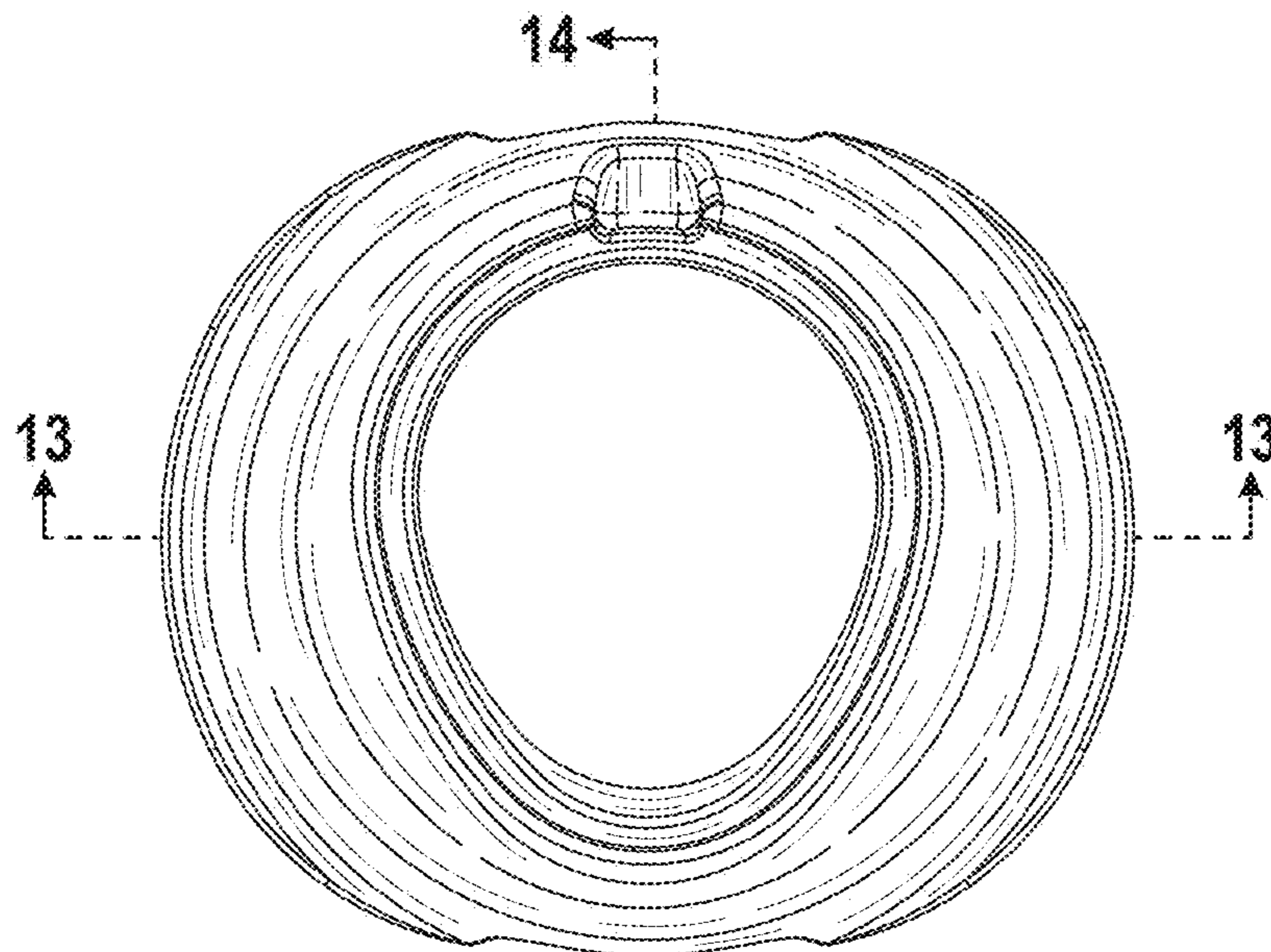


FIG. 8



14 ←
FIG. 9

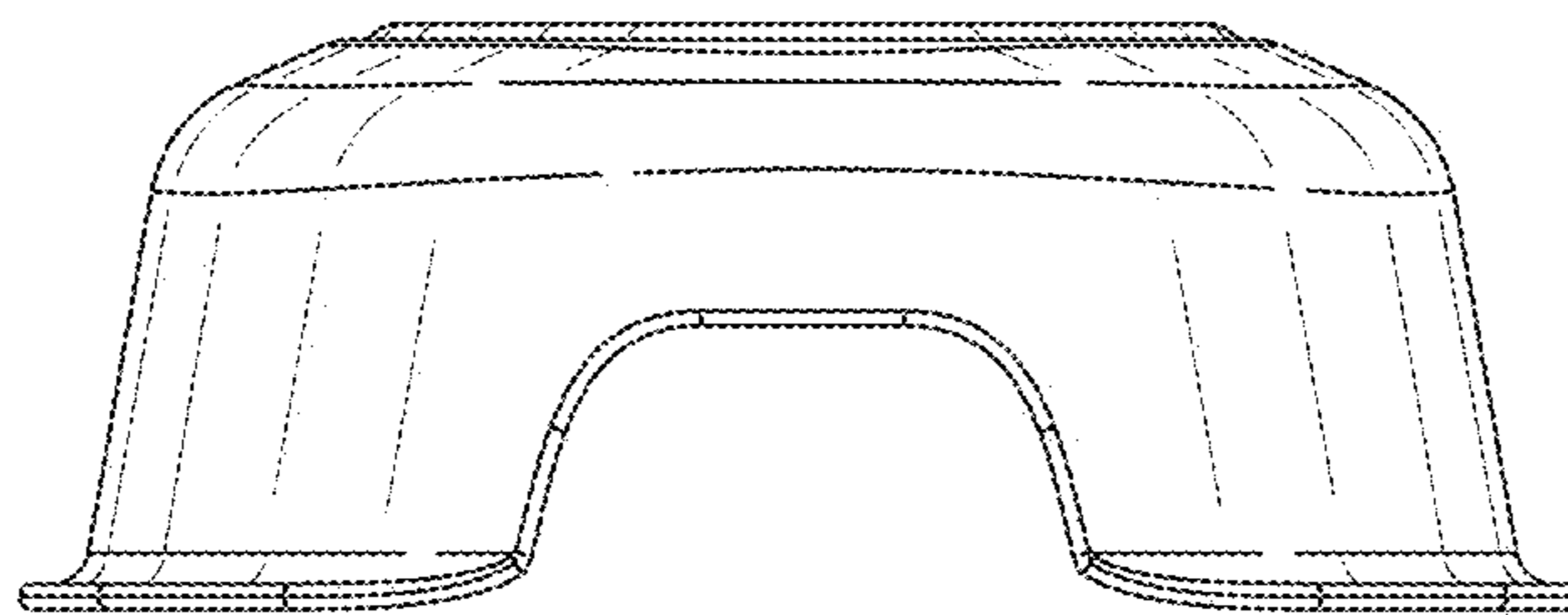


FIG. 10

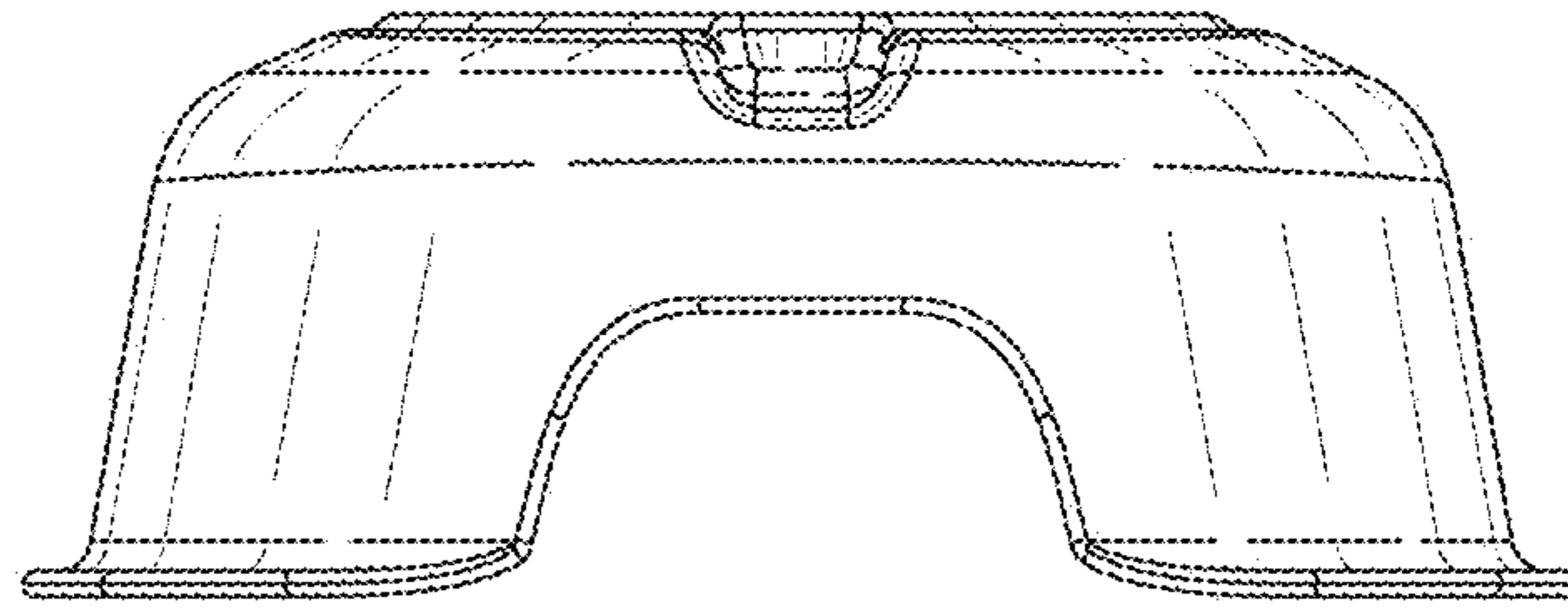


FIG. 11

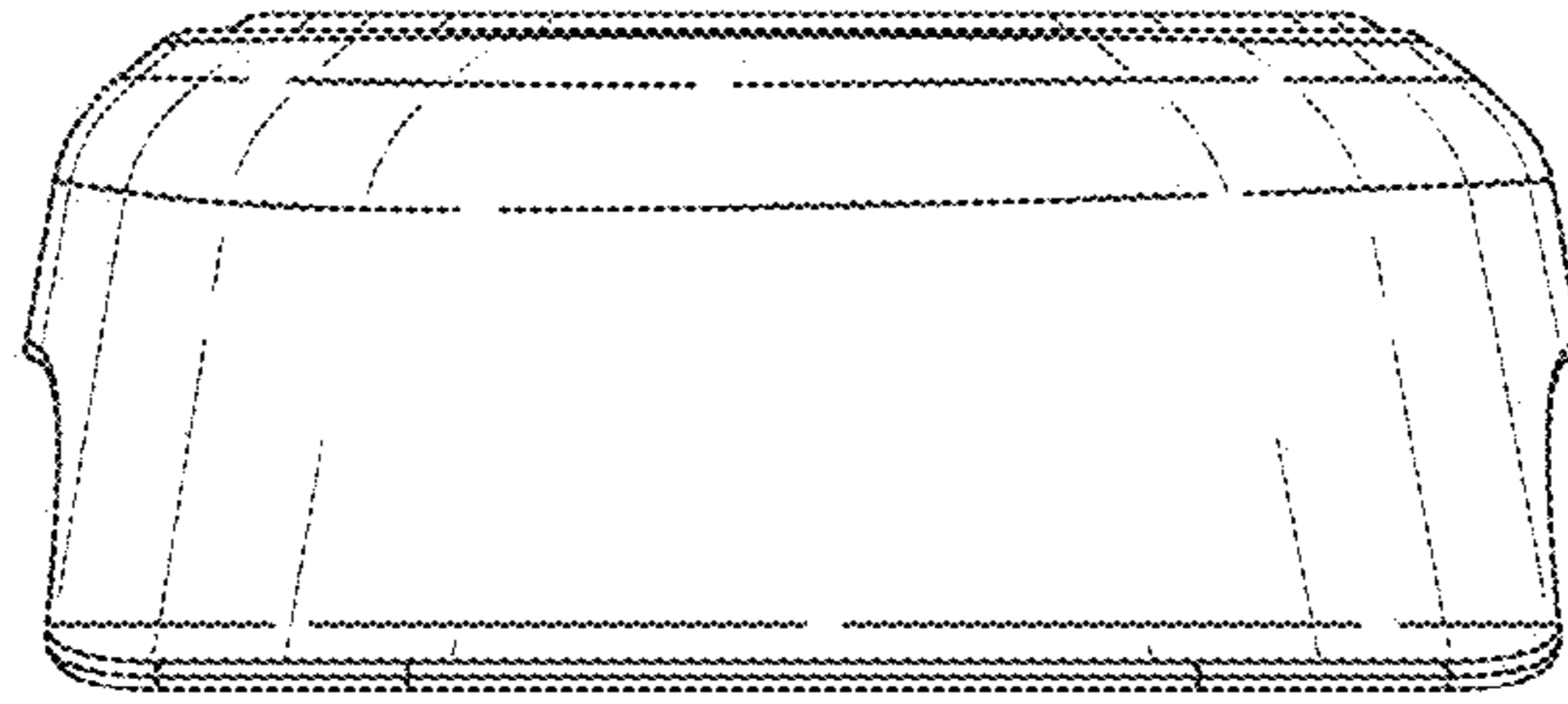


FIG. 12

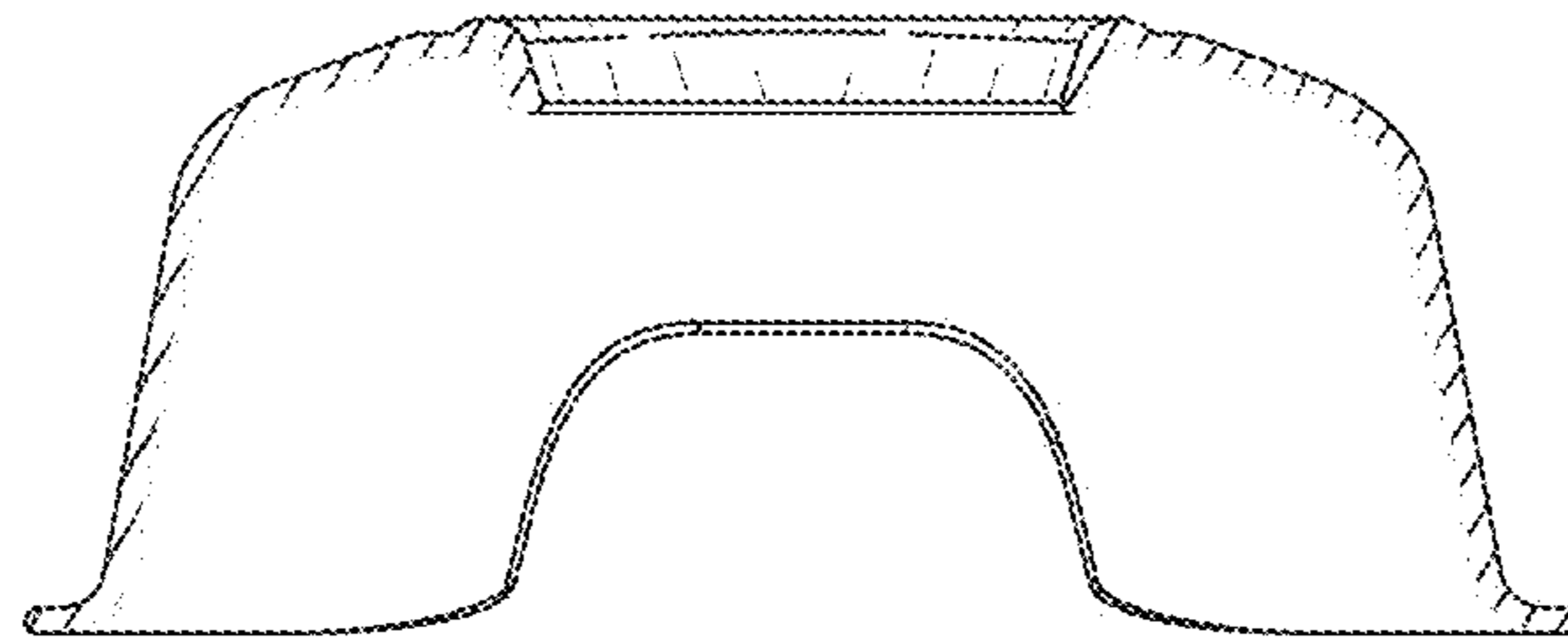


FIG. 13

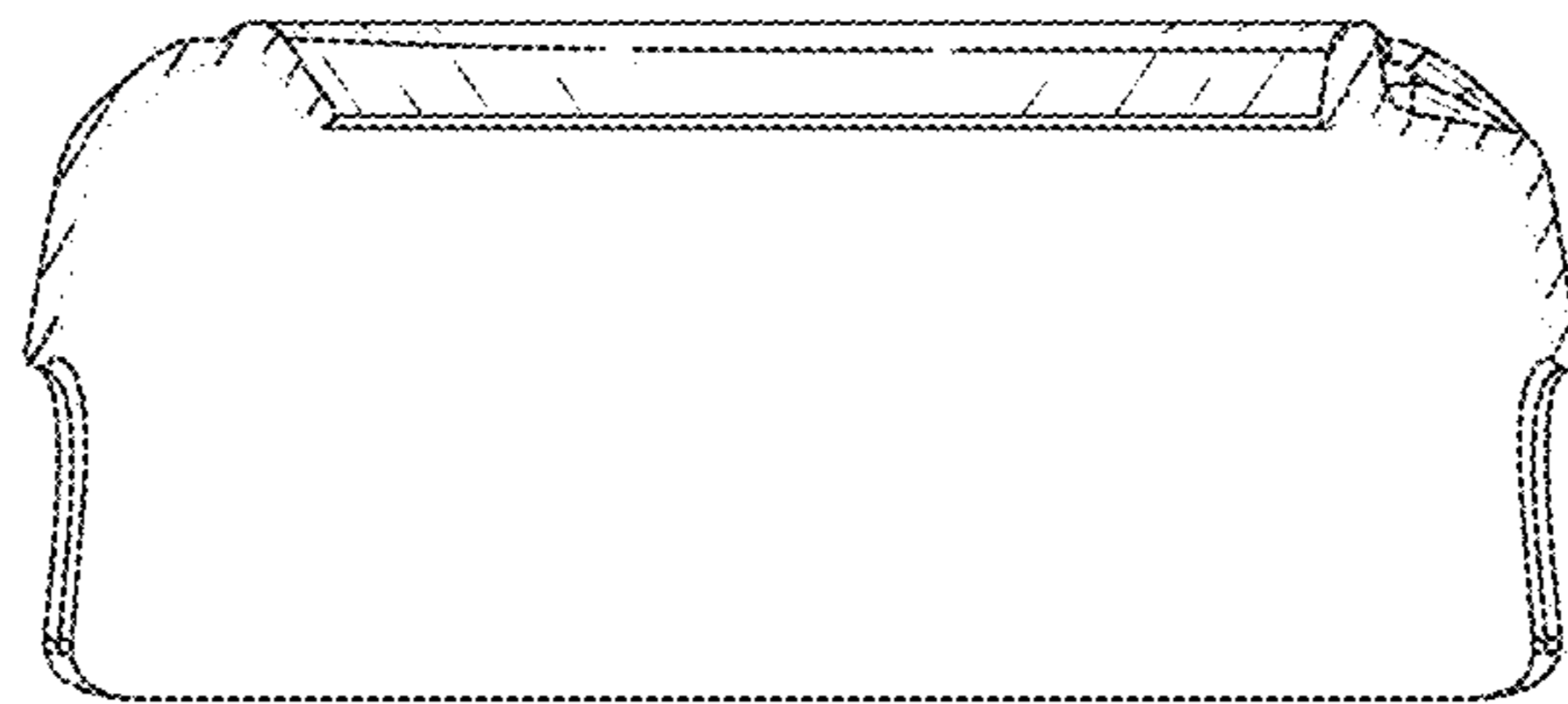


FIG. 14

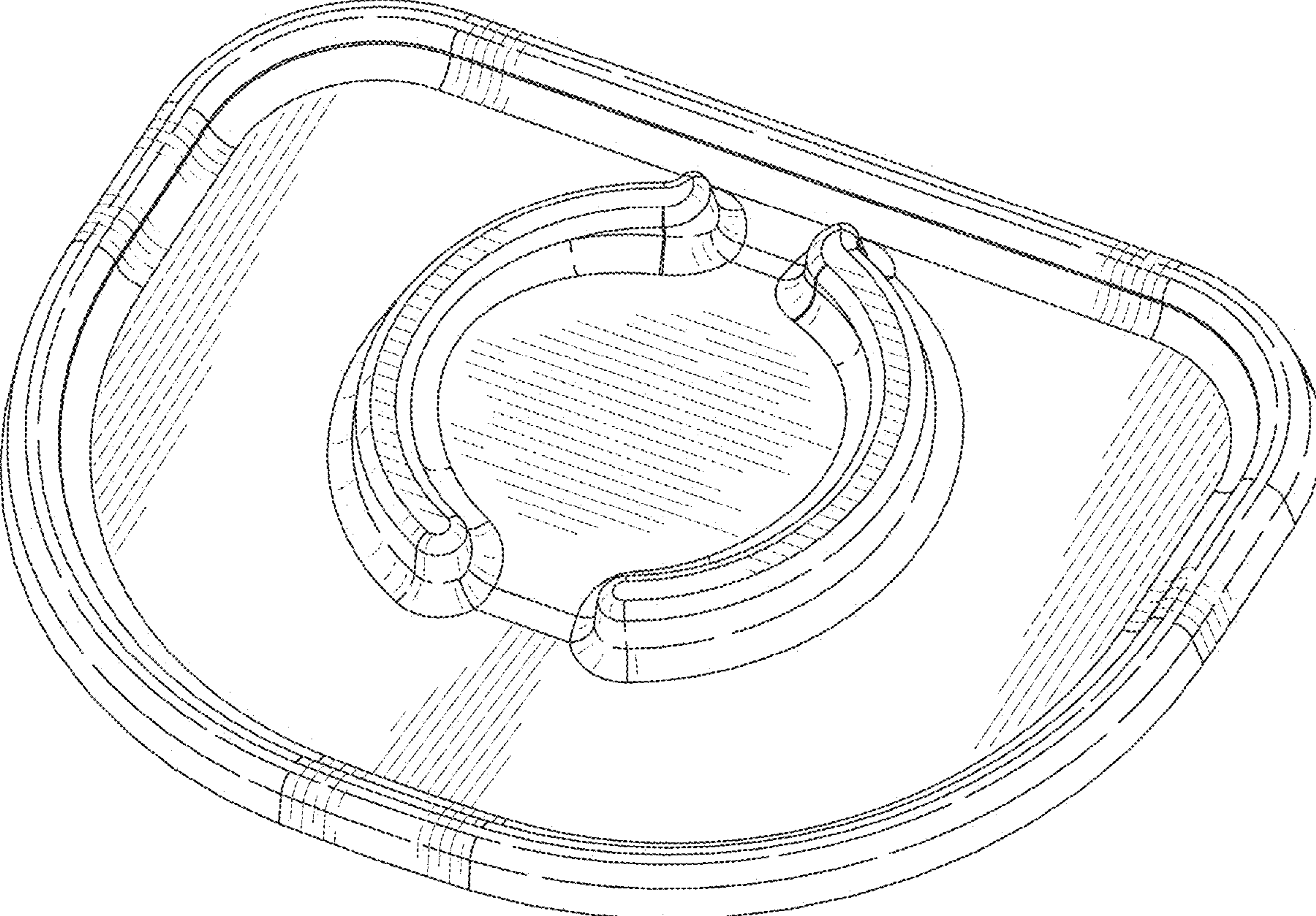


FIG. 15

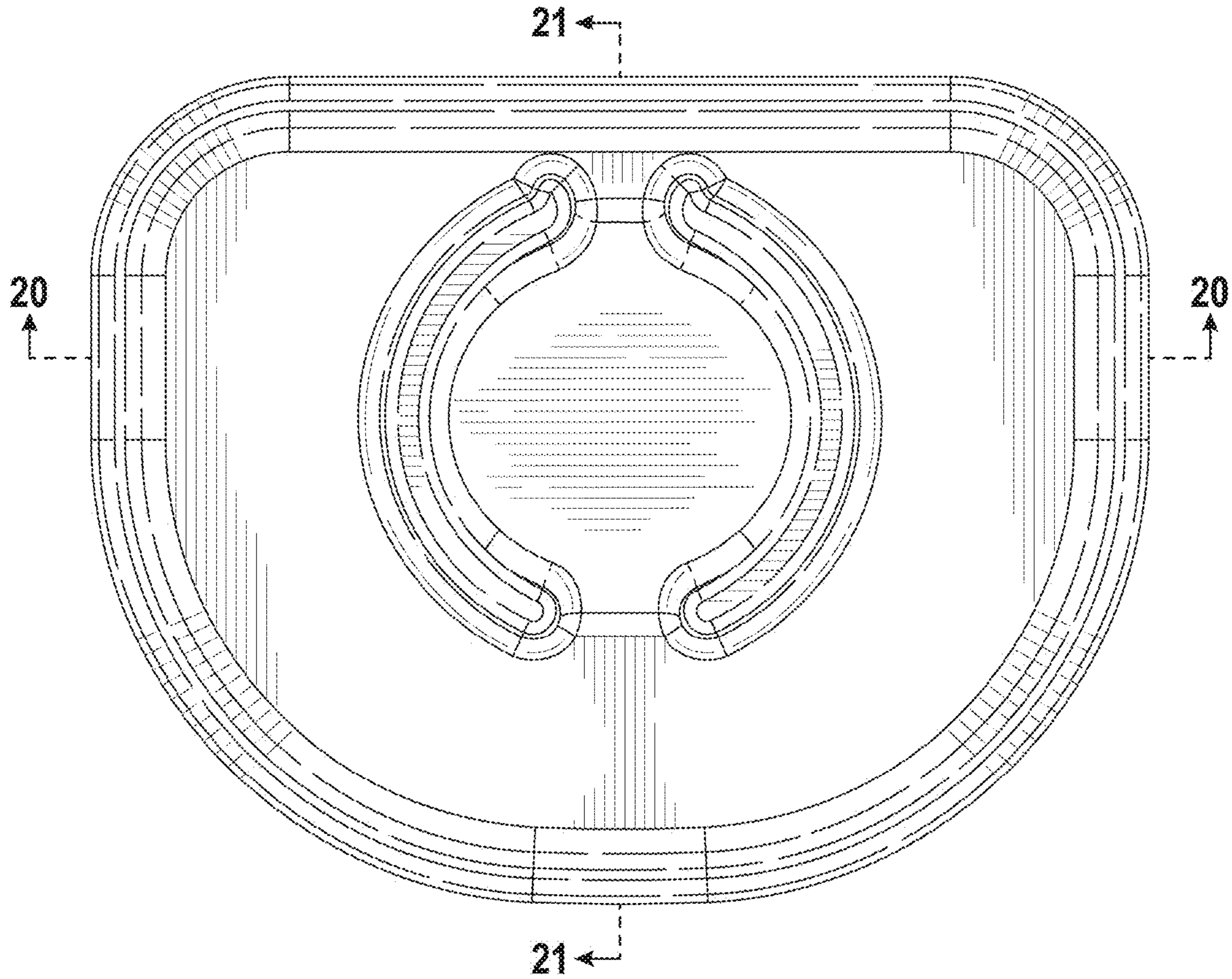


FIG. 16

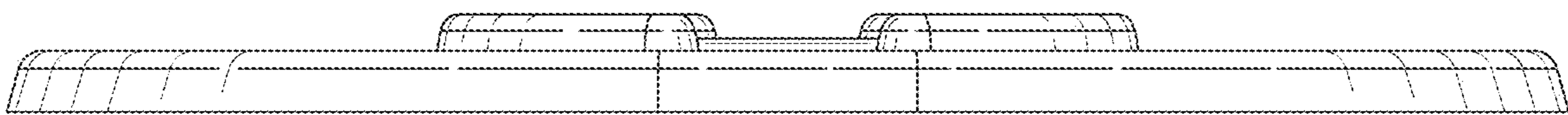


FIG. 17

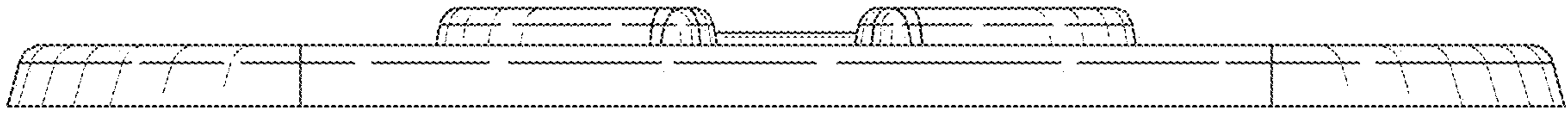


FIG. 18

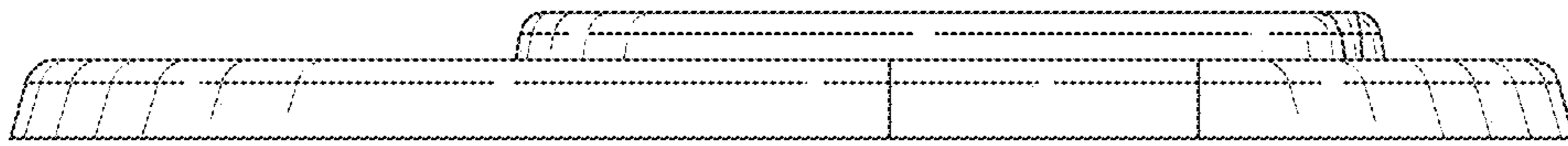


FIG. 19

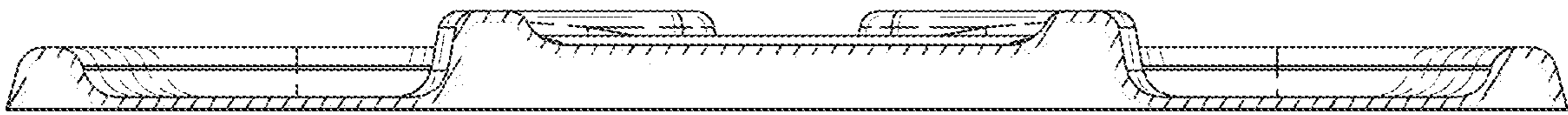


FIG. 20

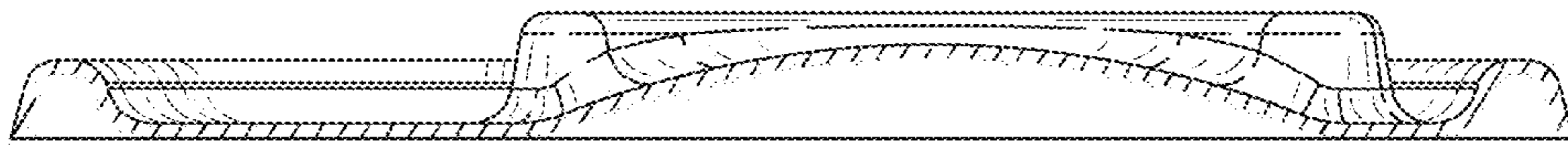


FIG. 21

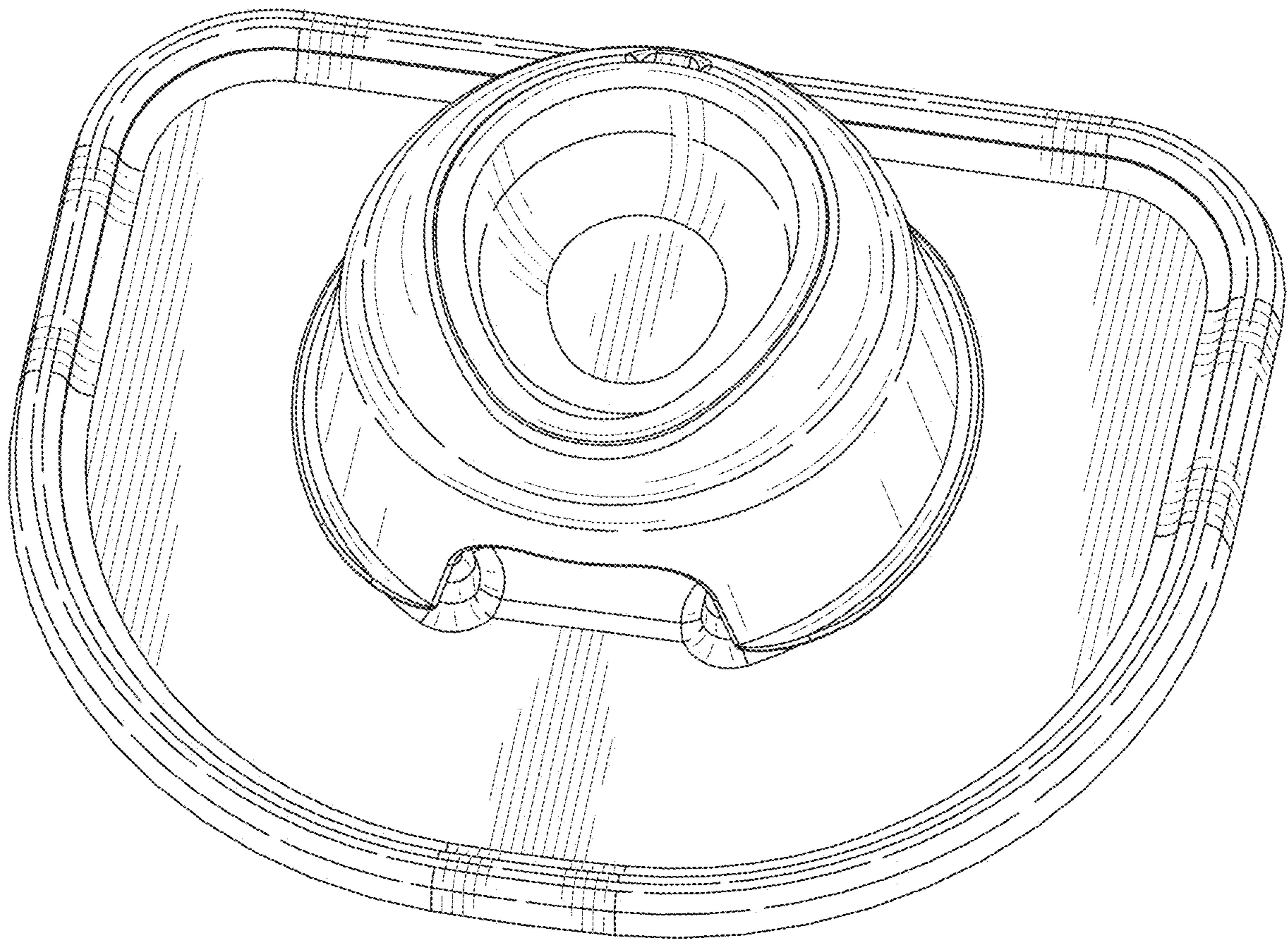


FIG. 22

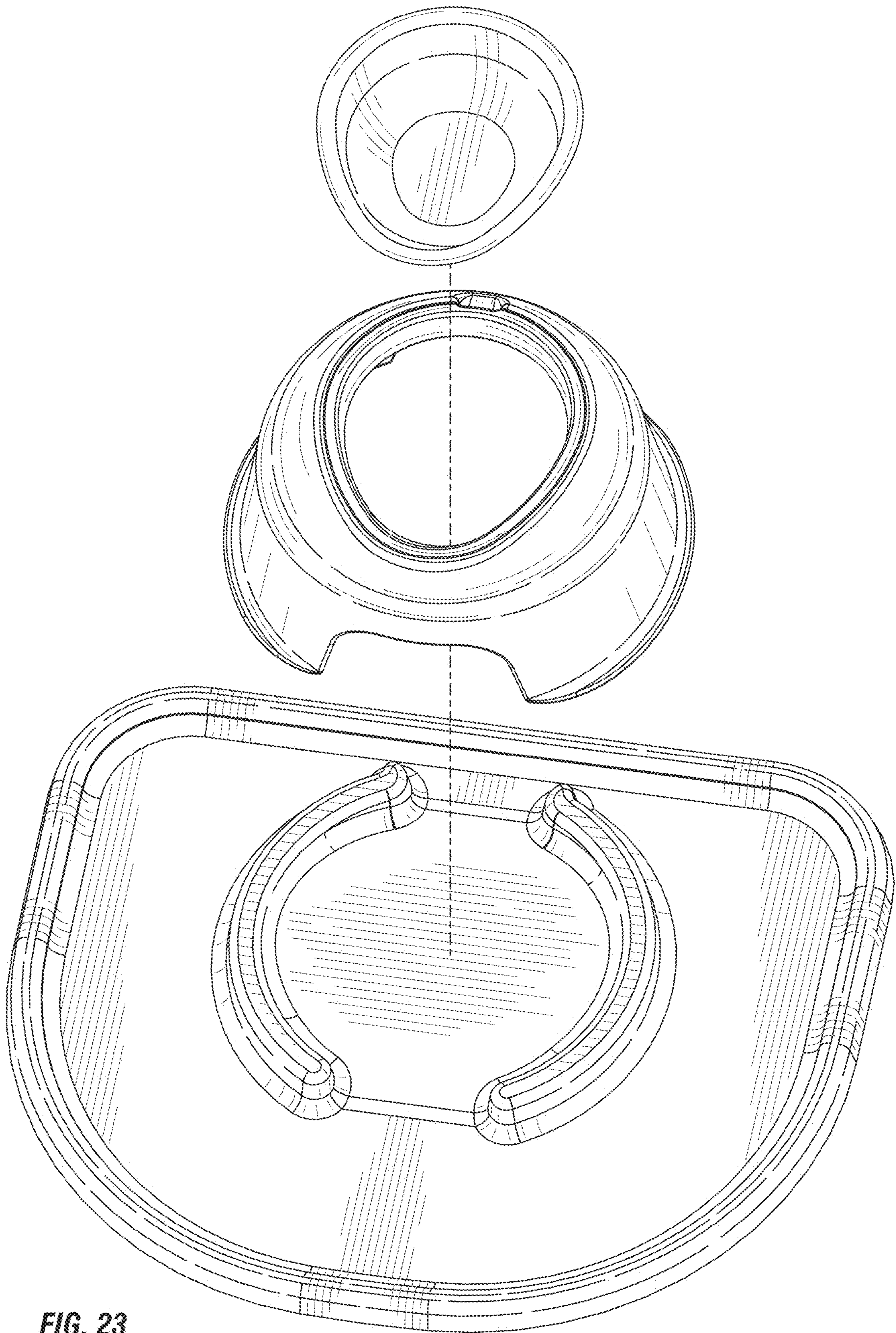


FIG. 23

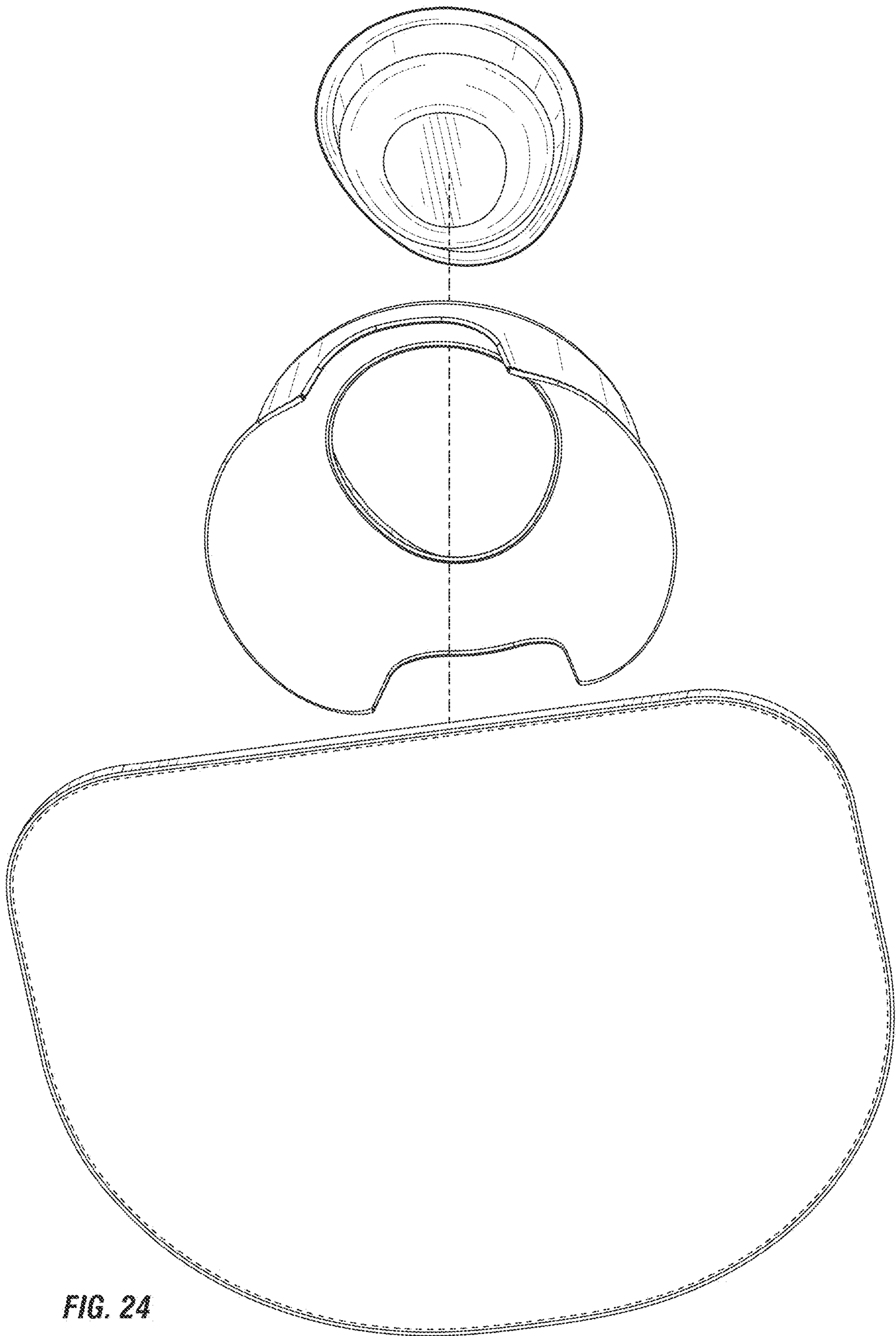


FIG. 24

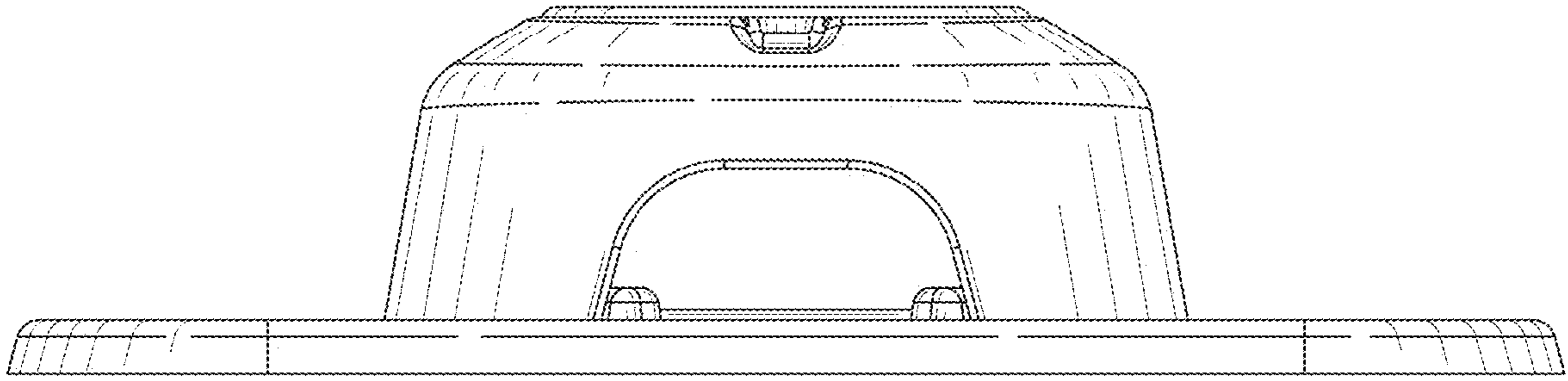


FIG. 25

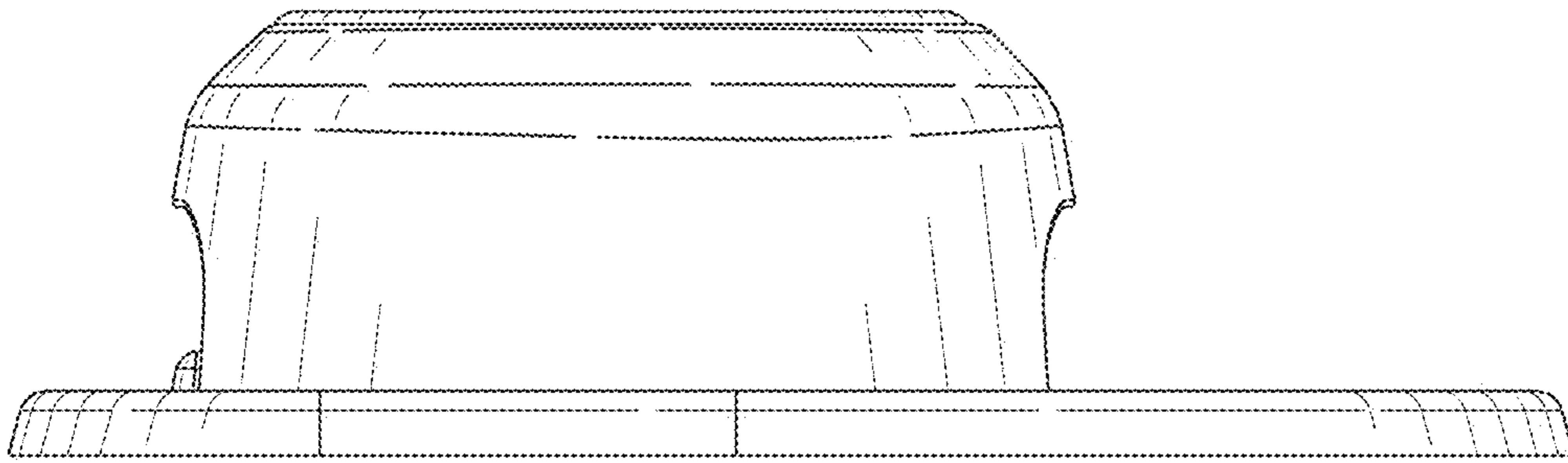


FIG. 26

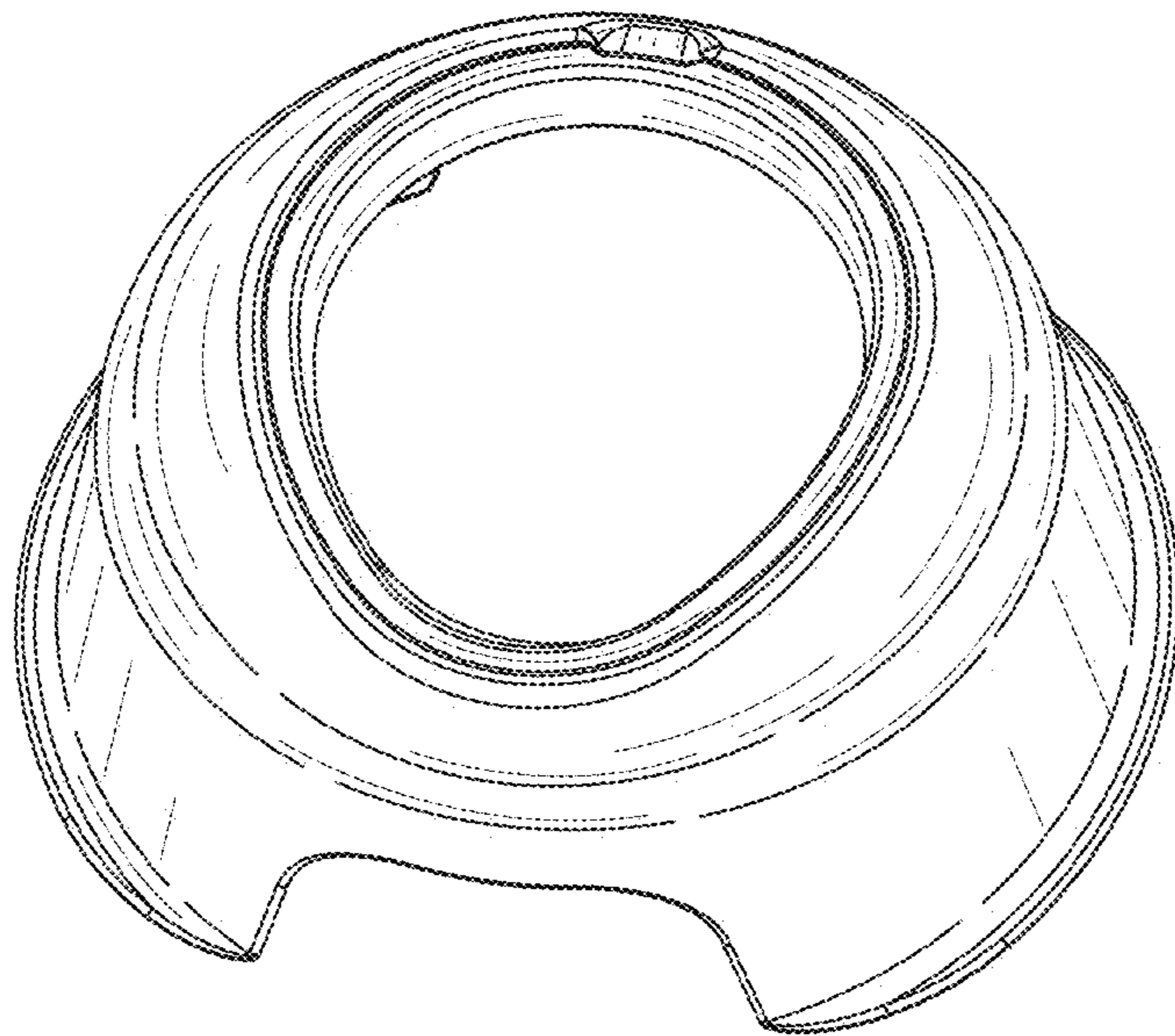


FIG. 27

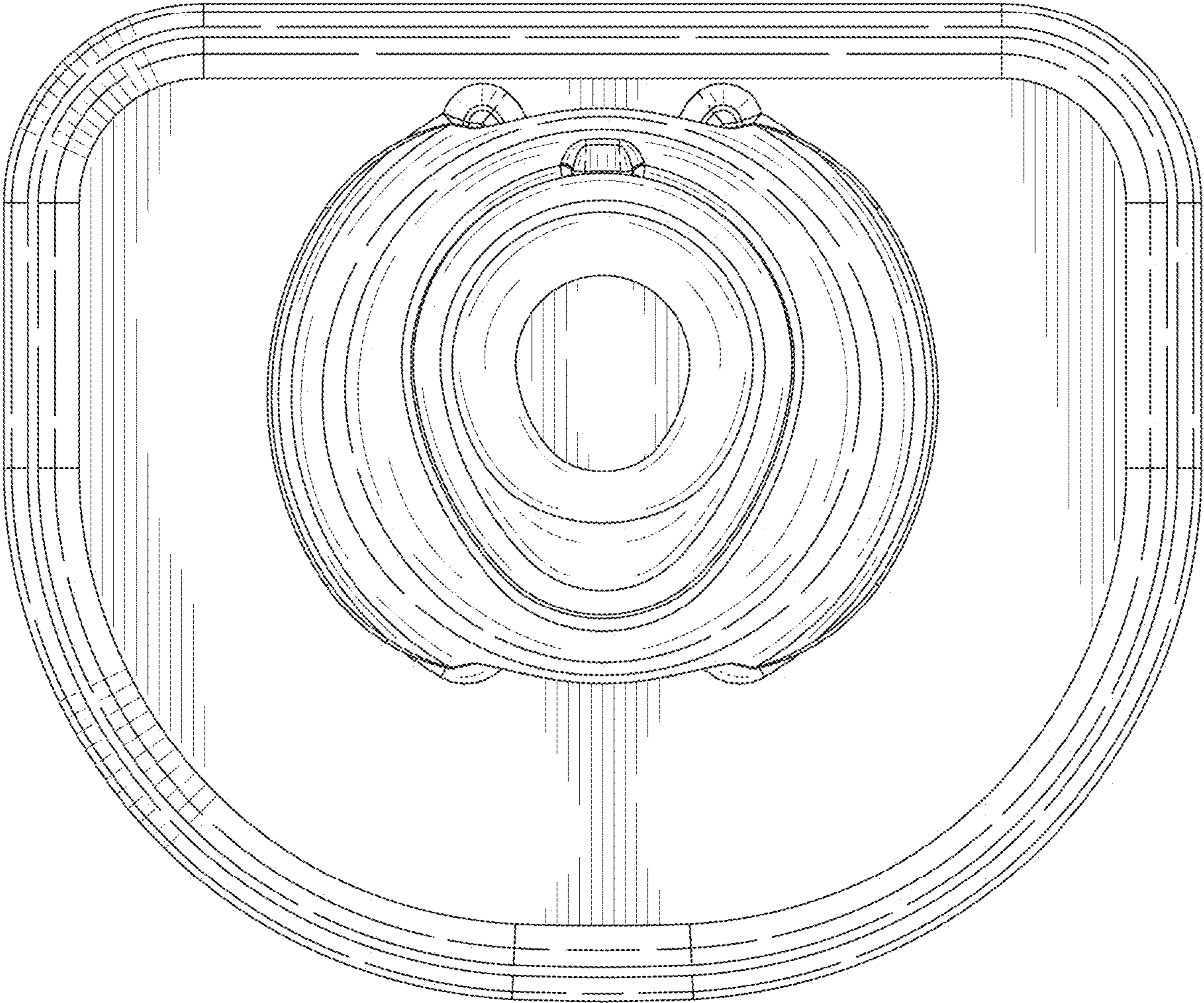


FIG. 28

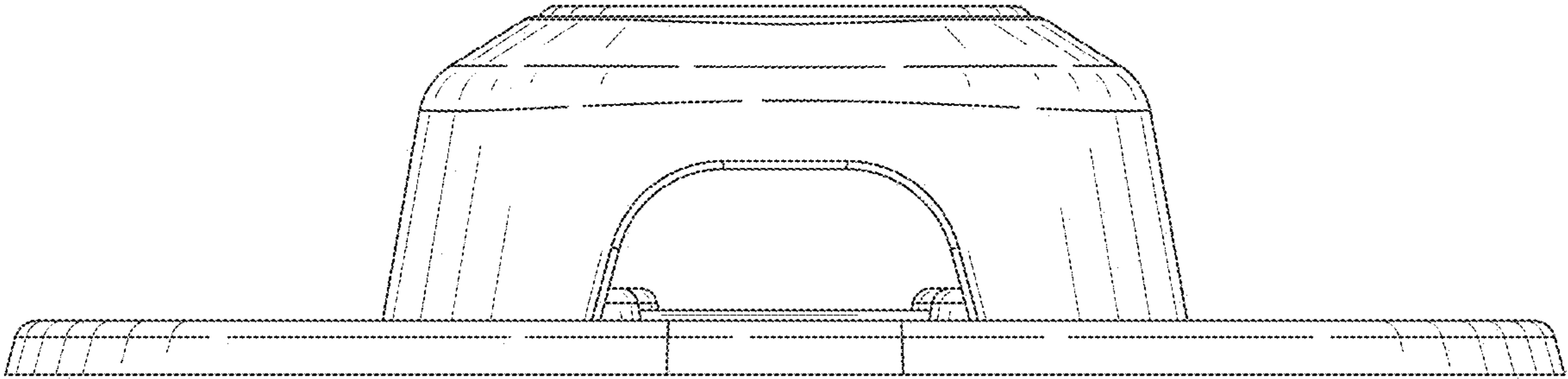


FIG. 29

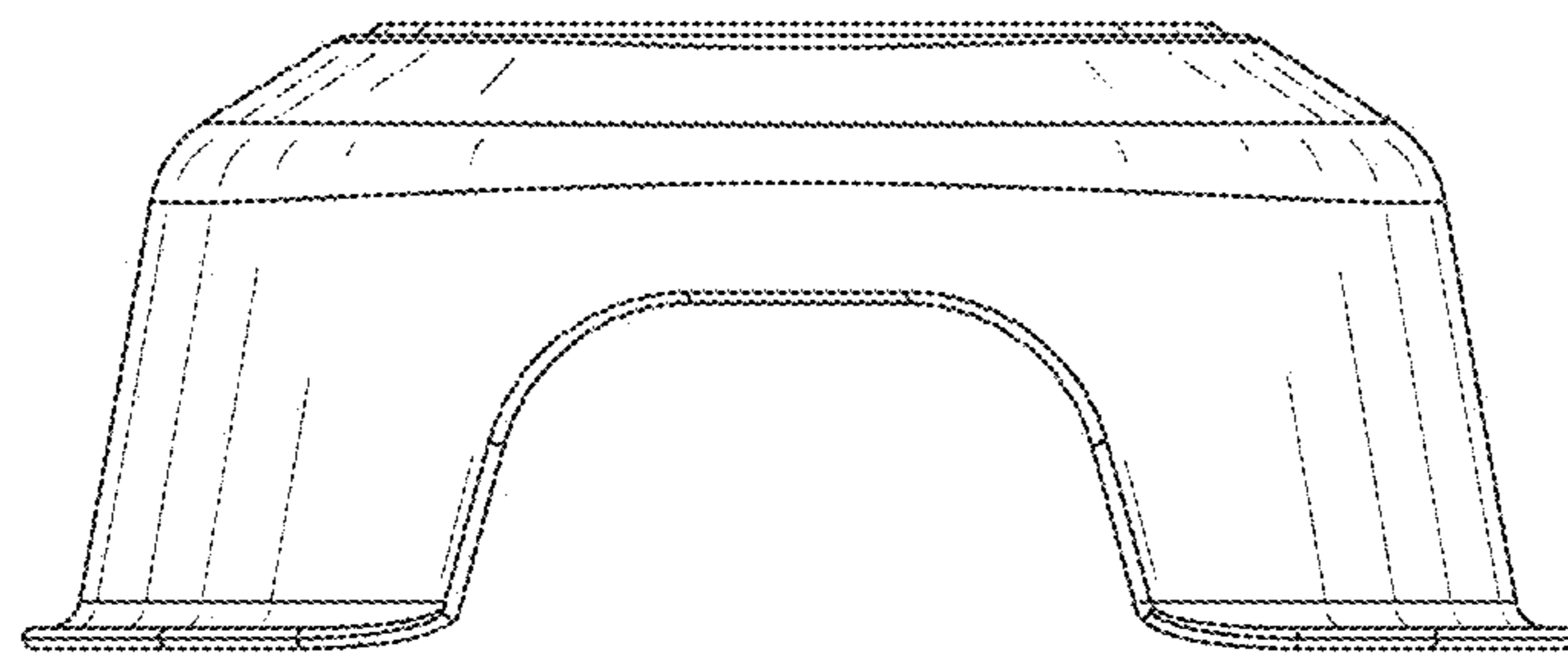
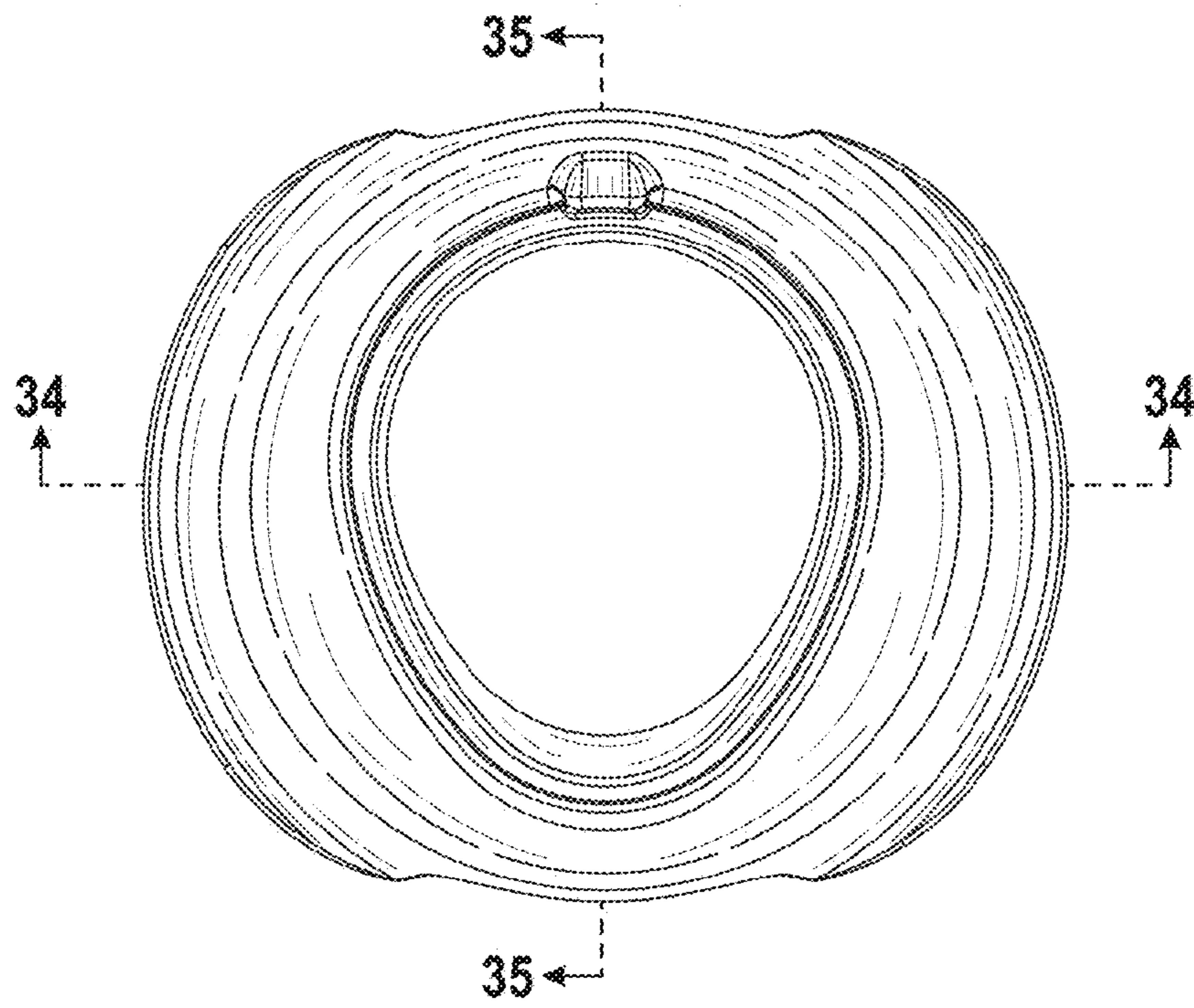


FIG. 31

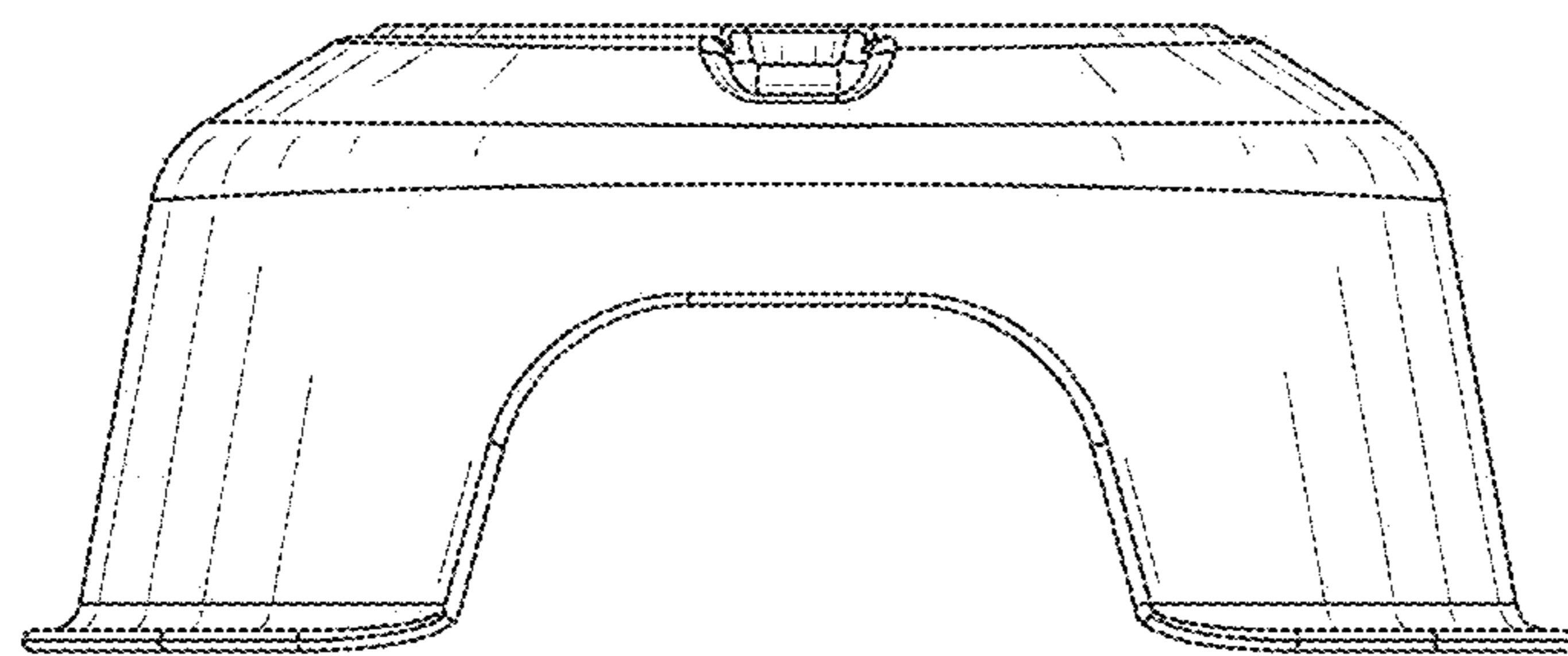


FIG. 32

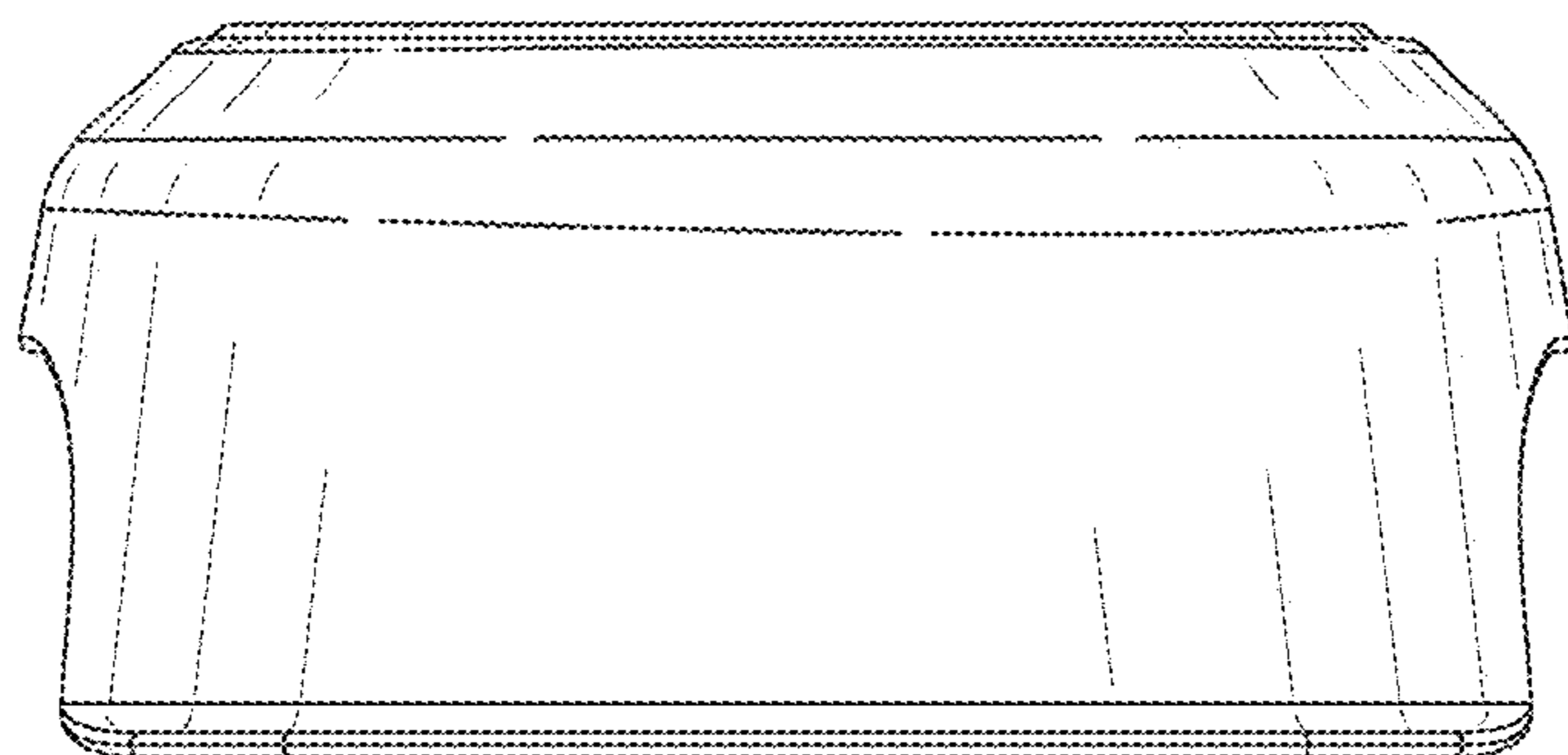


FIG. 33

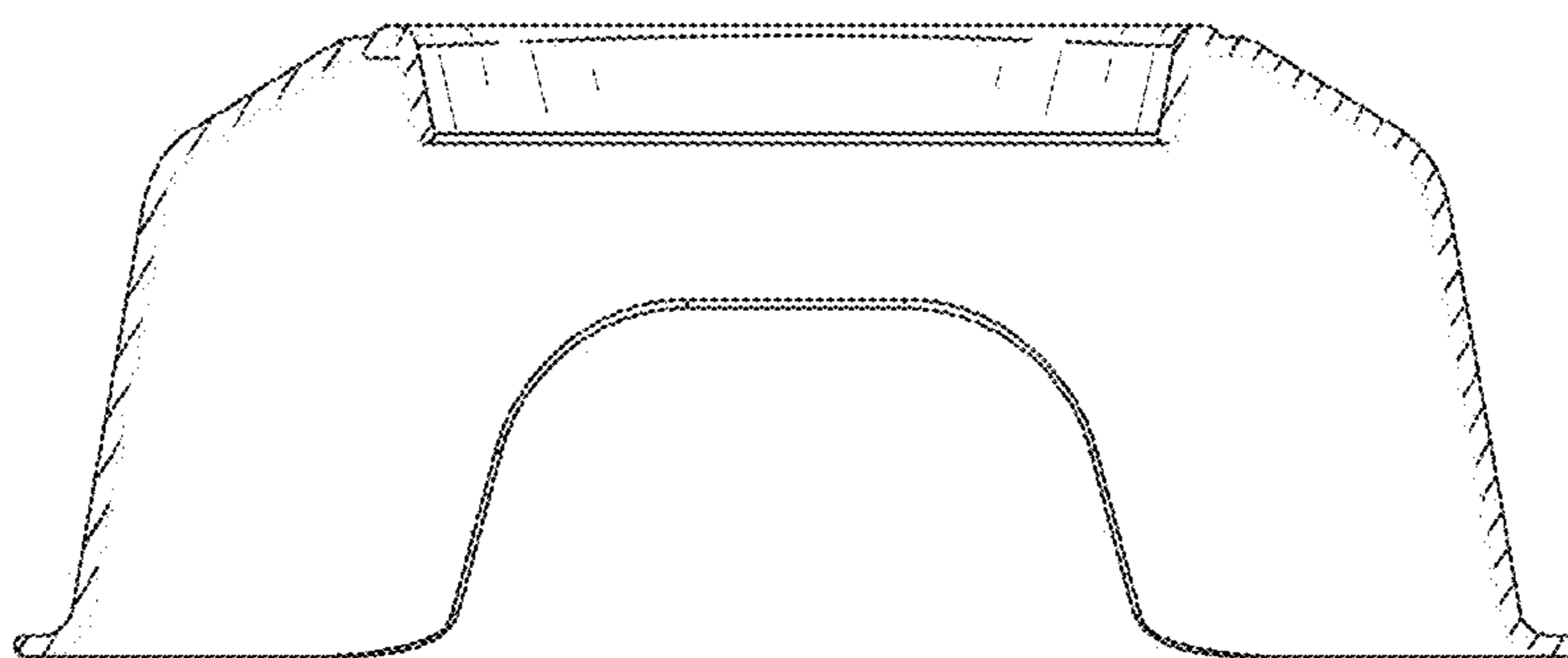


FIG. 34

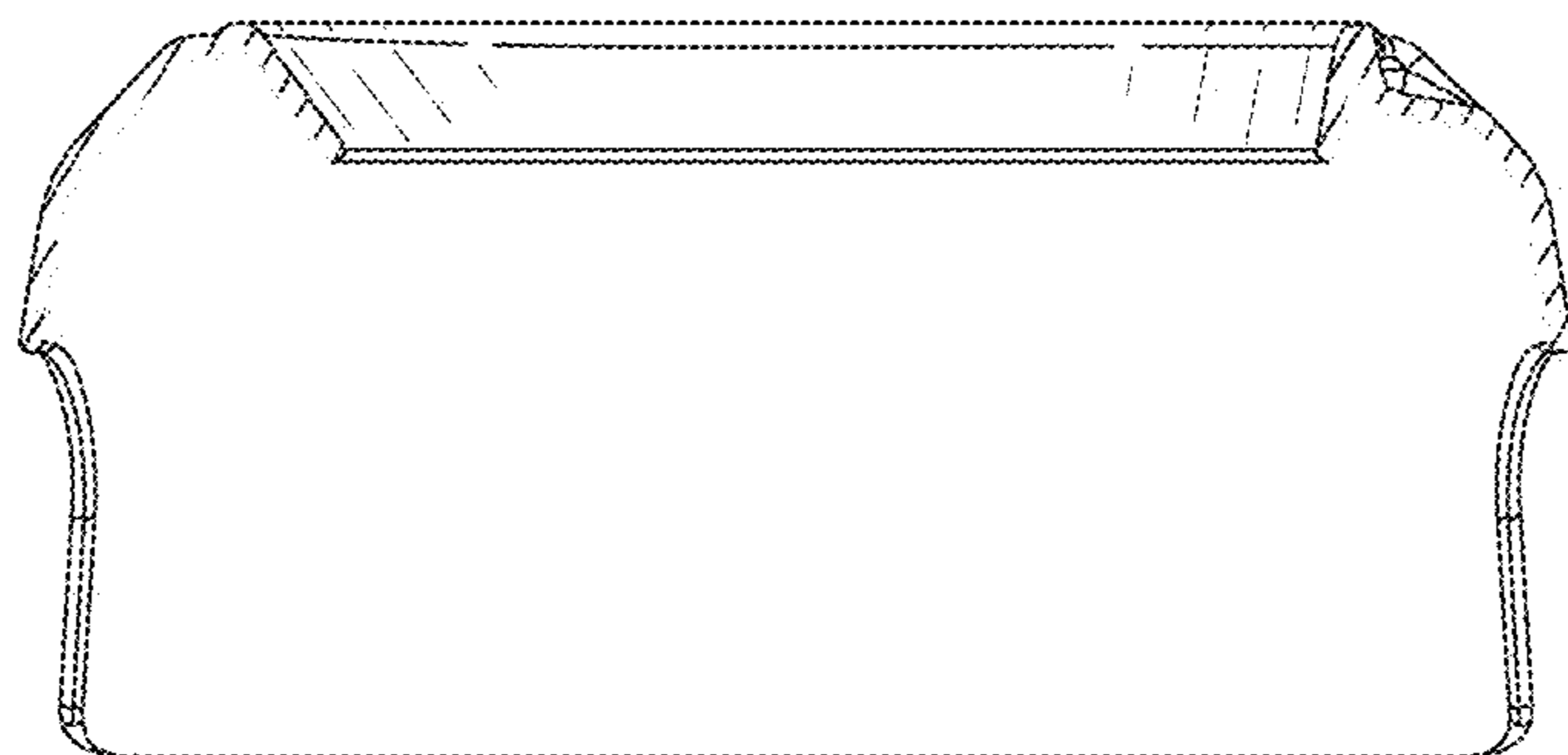


FIG. 35

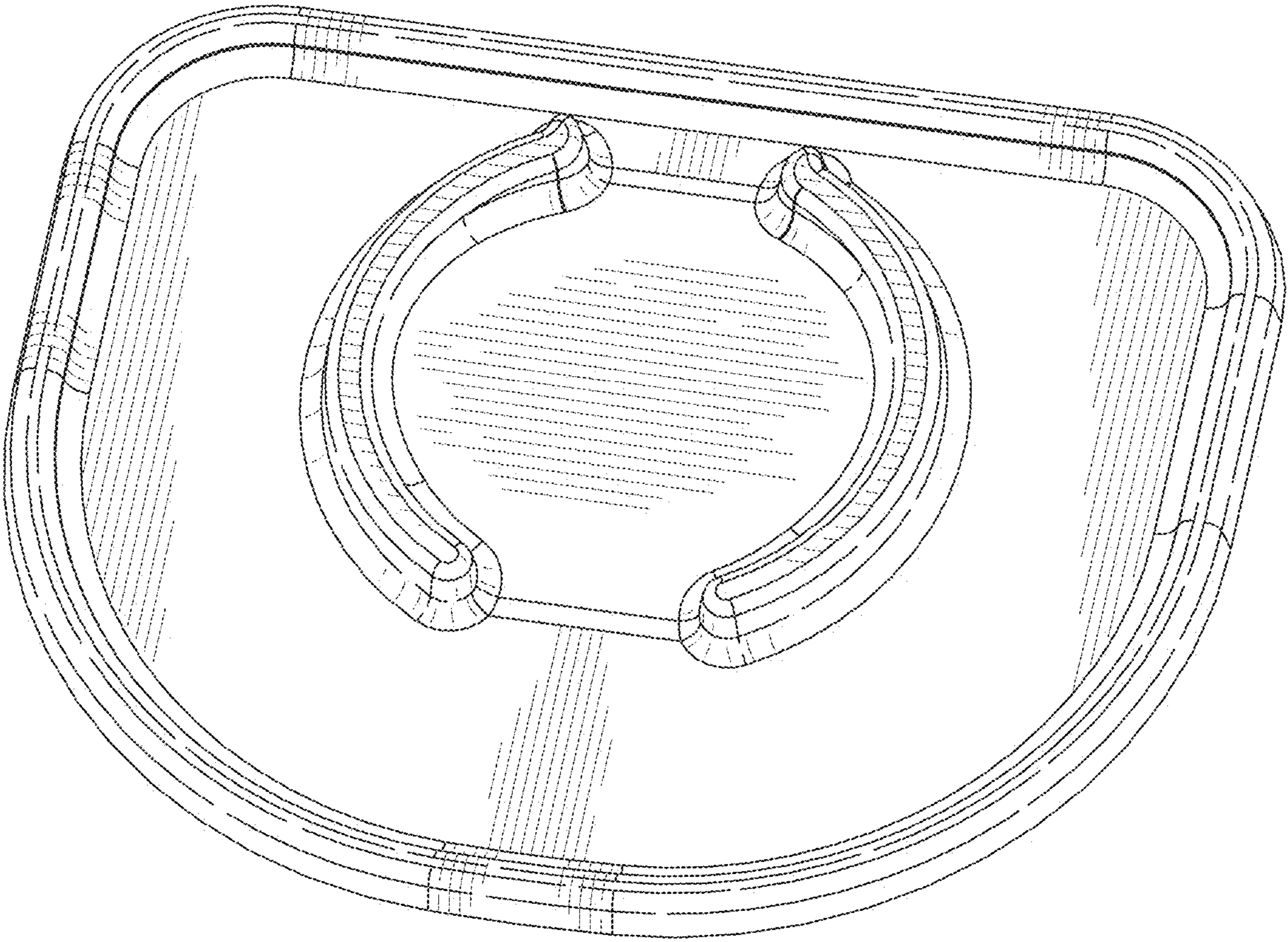


FIG. 36

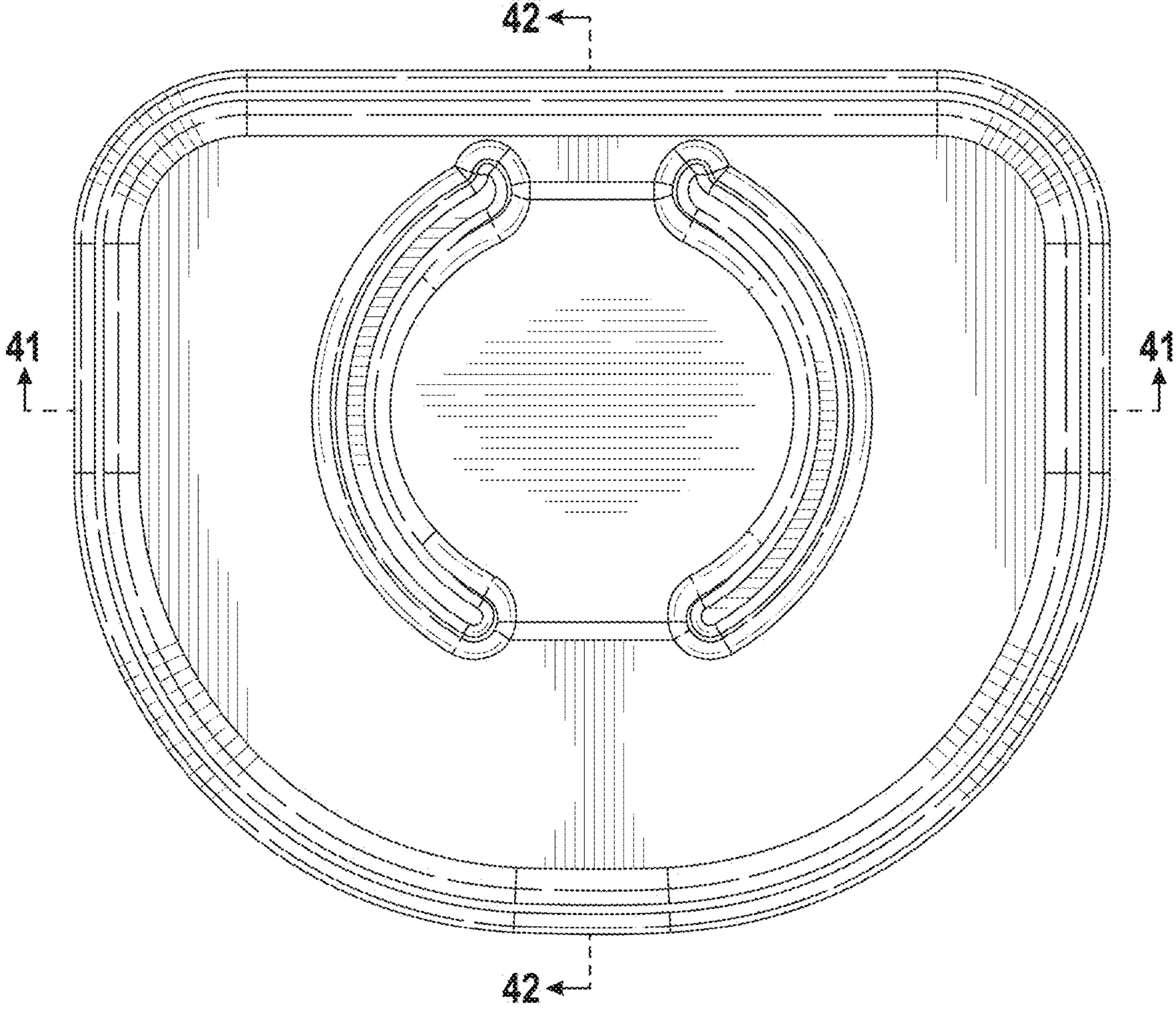


FIG. 37

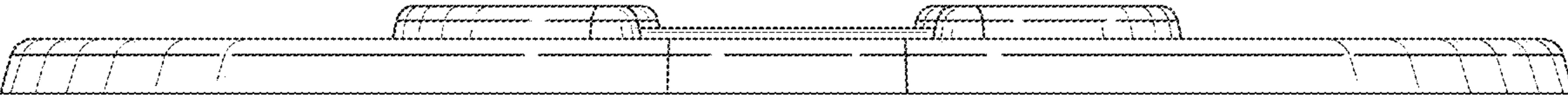


FIG. 38

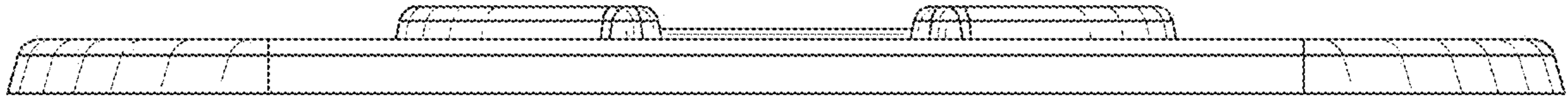


FIG. 39

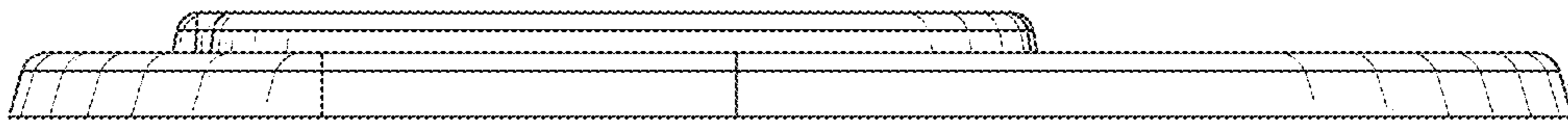


FIG. 40

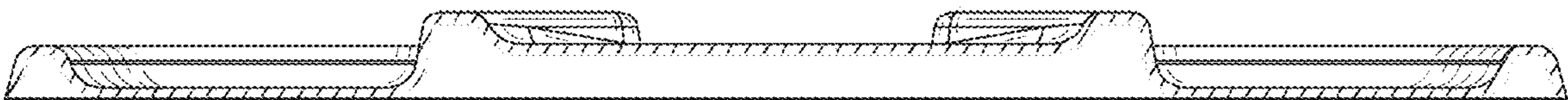


FIG. 41

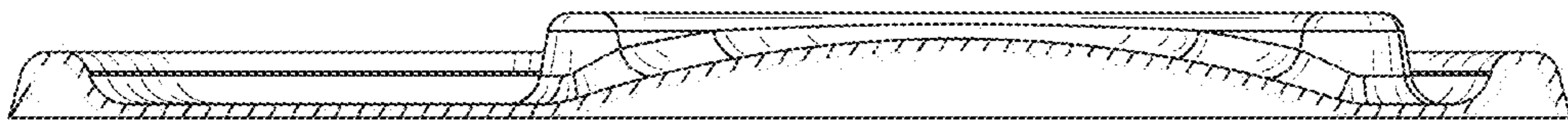


FIG. 42