



US00D901095S

(12) **United States Design Patent** (10) **Patent No.:** **US D901,095 S**
MacNeil et al. (45) **Date of Patent:** **** Nov. 3, 2020**

(54) **SINGLE-BOWL PET WATER/FOOD STATION**

D7/555, 556, 504, 565, 562, 602, 507,
D7/549, 558, 552.2, 560, 566, 548, 681;
D9/429; 43/109; D22/122; 99/430,
99/DIG. 15

(71) Applicant: **MACNEIL IP LLC**, Bolingbrook, IL
(US)

(72) Inventors: **David F. MacNeil**, Fort Lauderdale, FL
(US); **Frederick W. Masanek, Jr.**,
Barrington, IL (US)

CPC A01K 5/00; A01K 5/01; A01K 5/0107;
A01K 5/0114; A01K 5/0121; A01K
5/0128; A01K 5/0135; A01K 7/005
See application file for complete search history.

(73) Assignee: **MACNEIL IP LLC**, Bolingbrook, IL
(US)

(56)

References Cited

U.S. PATENT DOCUMENTS

(**) Term: **15 Years**

(21) Appl. No.: **29/732,484**

(22) Filed: **Apr. 24, 2020**

491,702 A *	2/1893	Felix	A01K 5/0135 119/61.54
1,135,269 A	4/1915	Dudley	
D47,846 S	9/1915	Eustis	
D52,657 S	11/1918	Howland	
1,881,416 A	10/1932	Uhalt	
D102,968 S *	1/1937	Farber	D7/505
D105,812 S *	8/1937	Siekert	D30/130
D145,192 S	7/1946	Zimmer	
2,417,977 A	3/1947	French	
2,560,708 A	7/1951	Titus	
2,651,926 A *	9/1953	Enslein	A47G 19/02 220/23.8
2,738,891 A	3/1956	Pitto	
2,813,509 A	11/1957	Bruno	
D183,822 S	11/1958	Barnhart	
2,878,932 A	3/1959	Martire, Jr.	
2,893,163 A	7/1959	Hazel, Jr.	
D186,040 S	9/1959	Stageberg	
2,919,456 A	1/1960	Spivey	
3,019,783 A	2/1962	Clarke	
3,190,486 A *	6/1965	Rech	A47G 19/02 220/574
3,195,510 A	7/1965	Bernstein	
3,232,662 A	2/1966	Graves	
D209,677 S	12/1967	Robert	
D209,678 S	12/1967	Robert	
3,637,454 A	1/1972	Pavernick	
3,729,037 A	4/1973	Dare et al.	
3,734,062 A *	5/1973	O'Hara	A01K 5/0135 119/61.54
3,745,974 A	7/1973	Karasz	
D229,073 S	11/1973	Brickel	
D229,074 S *	11/1973	Cuprak	D30/130
3,791,550 A	2/1974	Duncan	
D231,180 S *	4/1974	Vigue	D7/553.4
D233,581 S	11/1974	Bridges et al.	
D236,790 S	9/1975	Bruno et al.	

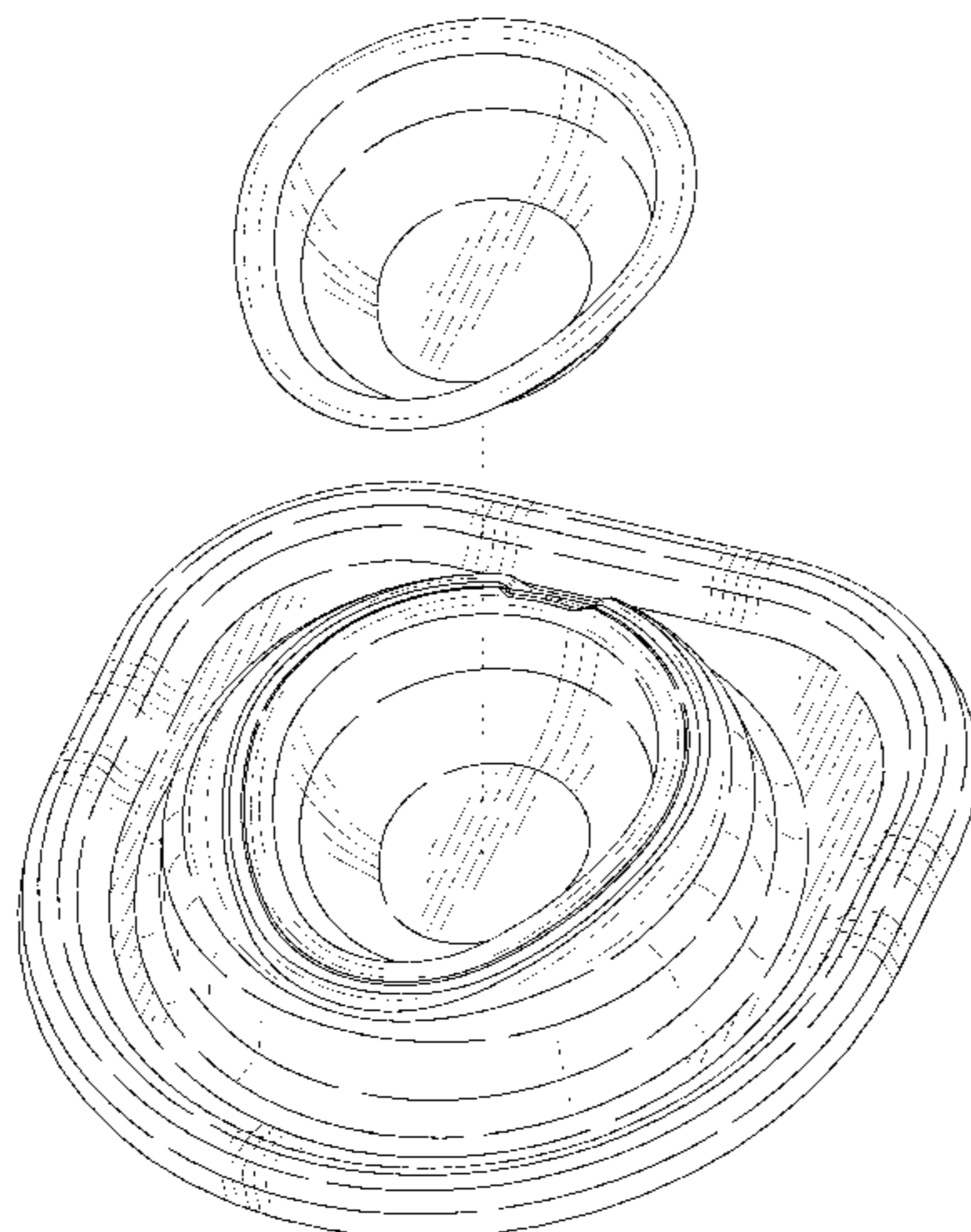
Related U.S. Application Data

(60) Division of application No. 29/635,541, filed on Jan. 31, 2018, which is a continuation-in-part of application No. 29/621,052, filed on Oct. 4, 2017, now Pat. No. Des. 887,650, which is a continuation-in-part of application No. 29/602,916, filed on May 4, 2017, now Pat. No. Des. 873,503, which is a continuation-in-part of application No. 29/560,208, filed on Apr. 4, 2016, now Pat. No. Des. 802,853.

(51) **LOC (12) Cl.** **30-03**

(52) **U.S. Cl.**
USPC **D30/130; D30/129; D30/133**

(58) **Field of Classification Search**
USPC D30/133, 121, 128, 130, 132, 122, 129;
119/52.1, 55, 61.5-61.56, 51.01, 51.03,
119/59, 62, 63, 51.5, 57.8, 74, 61;
D6/480-485; 248/188, 151; 312/204;
108/153.1-157, 25-26; 220/23.87, 630,
220/737, 743, 9.4, 495.01, 574, 212, 255,
220/23.83, 575; 206/515, 557, 560, 562,
206/563, 565; D7/586, 543, 550.1, 587,
D7/505, 584, 545, 500, 553.1-553.8, 546,



US D901,095 S

D238,592 S	1/1976	Goldman et al.	6,705,249 B2	3/2004	Quinlan et al.
D241,917 S	10/1976	Borum	D493,672 S	8/2004	Jalet et al.
D242,515 S	11/1976	Shumrak et al.	6,786,177 B1	9/2004	Lemkin
3,995,844 A	12/1976	Hellman	D499,933 S	12/2004	Rutter et al.
4,065,195 A	12/1977	Fahmie	D504,196 S	4/2005	Huthmaker et al.
4,093,041 A	6/1978	Davis et al.	D504,799 S	5/2005	Lawson et al.
D251,652 S	4/1979	Molloy	6,912,970 B2	7/2005	Sage, Jr.
D255,527 S	6/1980	Seager	D508,822 S	8/2005	Smith et al.
D259,669 S	6/1981	Peterson	D512,801 S *	12/2005	Kratzer D30/130
D262,069 S *	11/1981	Khider D30/130	D517,743 S	3/2006	Perrin
D269,386 S *	6/1983	Khider 119/61.5	D521,690 S	5/2006	Krcek et al.
D279,067 S	6/1985	Kuster	D523,185 S *	6/2006	Oliphant A01K 5/0142
4,530,867 A *	7/1985	Gorman A41H 3/00			D30/129
		428/198			
D281,481 S	11/1985	Geiser	D523,186 S	6/2006	Northrop
4,576,118 A	3/1986	Meadow	D523,695 S	6/2006	Haataja
D285,515 S	9/1986	Papciak	D526,850 S	8/2006	Sellers et al.
D296,485 S *	6/1988	Peterson D30/130	D538,814 S	3/2007	Cranford et al.
D299,010 S	12/1988	Wall	D541,486 S	4/2007	Mahaffey
4,880,112 A	11/1989	Conrad	D541,488 S	4/2007	Marsh
4,907,539 A	3/1990	Abulhasan	D550,407 S	9/2007	Spiwak
4,955,321 A	9/1990	Waldner	D550,511 S	9/2007	Luft
D321,809 S	11/1991	Zobrist	D551,400 S	9/2007	Tsengas
D326,742 S *	6/1992	Tart 119/61.1	D558,931 S	1/2008	Hood et al.
5,161,713 A	11/1992	English	D562,078 S *	2/2008	Herssein D7/500
D335,797 S	5/1993	Degrow	D563,606 S *	3/2008	Hood D30/129
D336,592 S	6/1993	Degrow	7,341,019 B1	3/2008	Tsenges
5,221,032 A	6/1993	Bott et al.	D566,363 S	4/2008	Lown et al.
D342,642 S	12/1993	Brazis	D573,466 S	7/2008	White et al.
D343,929 S *	2/1994	Karapetian D30/130	D582,265 S	12/2008	Helfman
D344,436 S *	2/1994	Walls D7/553.4	D583,111 S	12/2008	Molina-Justin
D348,646 S	7/1994	Reuben	7,475,937 B2	1/2009	McGrew et al.
D352,139 S *	11/1994	King D30/130	D590,551 S *	4/2009	Sperbeck D30/129
D353,233 S *	12/1994	Robles D30/130	D597,262 S *	7/2009	Shamoon D30/130
5,390,798 A	2/1995	Yanuzzi	D601,310 S *	9/2009	Greenan D30/129
D358,233 S	5/1995	Weaver	D607,616 S	1/2010	Newsome et al.
D362,090 S	9/1995	Baldwin et al.	7,673,934 B2	3/2010	Bearup et al.
D362,363 S	9/1995	Friedman	7,681,525 B1	3/2010	Trulove
D362,389 S	9/1995	Frye	D613,979 S	4/2010	Moore
5,467,738 A	11/1995	Cass	D613,999 S	4/2010	Sierra
5,493,998 A *	2/1996	Warren A01K 5/0114	D623,358 S	9/2010	Kim
		119/61.54	D623,359 S	9/2010	Kim
D370,314 S *	5/1996	Pearson-Falcon D30/130	7,789,041 B1	9/2010	Taylor
D371,644 S	7/1996	Lillelund et al.	D625,885 S *	10/2010	Bianchi D30/129
D373,932 S	9/1996	Onneweer	D626,791 S	11/2010	Sierra
D374,109 S	9/1996	Lillelund et al.	7,845,845 B1 *	12/2010	Kelly B01F 15/00824
5,560,316 A	10/1996	Lillelund et al.			366/274
5,580,037 A	12/1996	Gore	D630,512 S	1/2011	Venier
5,605,247 A	2/1997	Earnshaw	7,913,648 B2 *	3/2011	Maeda A01K 7/027
5,626,256 A	5/1997	Onneweer			119/61.52
D384,778 S	10/1997	Powers et al.	D636,674 S	4/2011	Golota et al.
D386,838 S	11/1997	Pini et al.	D636,945 S *	4/2011	Anderson D30/129
D392,884 S	3/1998	Hayes	D640,486 S	6/2011	Saelid
5,743,210 A	4/1998	Lampe	D641,211 S	7/2011	Olivari et al.
D399,029 S *	9/1998	Falcone D30/130	D641,212 S	7/2011	Olivari et al.
D411,709 S *	6/1999	Curtis D7/387	D641,628 S	7/2011	Baughman
D413,209 S	8/1999	Jarke	D641,937 S	7/2011	Pitter
D414,634 S	10/1999	Smith	7,992,714 B1	8/2011	Devault et al.
D415,657 S	10/1999	Cornelissen	D646,440 S	10/2011	Chance et al.
D415,933 S	11/1999	Cornelissen	D646,442 S	10/2011	Chance et al.
D423,292 S *	4/2000	Horvat D7/553.6	D646,852 S	10/2011	Chance et al.
D423,732 S *	4/2000	McGee D30/129	D653,000 S	1/2012	Rutherford
D424,757 S *	5/2000	Cooper D30/129	D655,541 S	3/2012	Zemel
D432,280 S	10/2000	Quinlan et al.	8,148,651 B1	4/2012	Coppola
D433,580 S	11/2000	Jarke	8,162,390 B2	4/2012	Zhong
D435,705 S	12/2000	Powers	D659,297 S *	5/2012	Stygstra D30/130
6,179,377 B1	1/2001	Harper	D659,913 S	5/2012	Spectre et al.
D440,798 S	4/2001	Kuhlman et al.	8,201,879 B2	6/2012	Hartenstine et al.
6,209,487 B1	4/2001	Quinlan et al.	D664,308 S *	7/2012	Crystal D30/130
D441,441 S	5/2001	Upson	D669,231 S	10/2012	Chance et al.
D442,831 S	5/2001	Jacobs	D670,041 S	10/2012	Chance et al.
D448,978 S *	10/2001	Isbell D7/619.1	D670,450 S	11/2012	Graves et al.
D454,321 S *	3/2002	Lu D12/203	D672,163 S	12/2012	Wells et al.
6,427,626 B1	8/2002	Quinlan et al.	D687,938 S *	8/2013	Furner D23/366
D468,064 S *	12/2002	Pardo D30/130	8,516,975 B2	8/2013	Becattini, Jr. et al.
D474,940 S	5/2003	Wellner	D692,623 S	10/2013	Lipscomb
D477,691 S	7/2003	Crowley	D694,849 S *	12/2013	Ots D22/122
D487,669 S	3/2004	Smith	D703,393 S *	4/2014	Henley D30/129
D487,823 S	3/2004	Wang	D707,557 S *	6/2014	Corradini D9/436
			8,752,507 B2	6/2014	Korrie

US D901,095 S

D710,980 S 8/2014 Pollard
D712,204 S 9/2014 Hatcher et al.
D716,003 S 10/2014 Brown
D717,104 S 11/2014 Redfern
D720,948 S 1/2015 Gonzalez et al.
D722,407 S 2/2015 Roslonski et al.
D725,836 S 3/2015 Avalos Sartorio et al.
D726,981 S * 4/2015 Yessin D32/25
D727,576 S 4/2015 Avalos Sartorio et al.
9,039,079 B2 5/2015 Huntsberger et al.
9,044,077 B1 6/2015 Lin
9,089,208 B2 7/2015 Zimmerman
D735,573 S 8/2015 Jondal et al.
D737,103 S * 8/2015 Cloutier D7/554.2
9,095,117 B1 8/2015 Kumar
9,144,321 B2 9/2015 Melo
D741,742 S 10/2015 Kunnas
D742,220 S 11/2015 Eyerman et al.
D744,174 S 11/2015 Jones et al.
D745,327 S * 12/2015 Laurain D7/555
D746,979 S 1/2016 Dominquez et al.
9,226,478 B1 1/2016 Uhl
D751,381 S 3/2016 Torrison et al.
D751,382 S 3/2016 Torrison et al.
D755,447 S * 5/2016 Andrews D30/129
D756,042 S * 5/2016 Kulesus D30/129
D757,373 S * 5/2016 Breit D30/129
D758,674 S * 6/2016 Youn D30/129
D764,206 S 8/2016 Lin
D767,941 S 10/2016 Laurain
D770,796 S 11/2016 Lin
D772,701 S 11/2016 Dziaba et al.
9,504,285 B2 11/2016 Lin
D774,361 S 12/2016 Laurain
D774,887 S 12/2016 Torrison et al.
D777,992 S 1/2017 Tsengas
9,546,033 B2 * 1/2017 Everingham B65D 51/28
9,560,919 B2 2/2017 Terhune
D781,109 S * 3/2017 Rubino D7/587
D797,521 S * 9/2017 Kellow, Jr. D7/619.1
D802,368 S * 11/2017 Peng D7/553.2
D802,853 S * 11/2017 MacNeil D30/133
D807,705 S * 1/2018 Laurain D7/555
D811,666 S * 2/2018 Lopez D30/133
D812,433 S * 3/2018 Kwok D7/553.4
D824,119 S * 7/2018 Yang D30/130
D830,007 S * 10/2018 Harris D30/129
D834,765 S * 11/2018 Reissig D30/129
D836,990 S * 1/2019 Hakim D7/553.4
D838,142 S * 1/2019 Davies D7/553.2
D850,858 S * 6/2019 Roaks D7/555
10,349,623 B1 * 7/2019 Stygstra A01K 5/00
D868,391 S * 11/2019 Townsend D30/129
D869,781 S * 12/2019 Han D30/130
D870,982 S * 12/2019 Tsai D30/129
D873,502 S * 1/2020 MacNeil D30/130
D873,503 S * 1/2020 MacNeil D30/133
D873,504 S * 1/2020 MacNeil D30/133
D880,787 S * 4/2020 Price D30/133
D880,788 S * 4/2020 Price D30/133
D882,882 S * 4/2020 MacNeil D30/133
D887,650 S * 6/2020 MacNeil D30/133
2003/0106498 A1 6/2003 Mersits et al.
2005/0039689 A1 * 2/2005 Mossmer A01K 5/0128
119/61.5
2005/0039690 A1 2/2005 Sage, Jr.
2005/0045113 A1 3/2005 Wetterer et al.
2005/0115508 A1 6/2005 Little
2005/0235919 A1 10/2005 Willinger et al.
2006/0096544 A1 5/2006 Spiwak
2007/0089678 A1 * 4/2007 Greenwood A01K 5/0114
119/61.5
2007/0199512 A1 * 8/2007 Ellis A01K 7/005
119/61.54
2007/0264450 A1 11/2007 White et al.
2008/0216754 A1 * 9/2008 Lorenzana A01K 5/0114
119/61.55
2008/0245947 A1 * 10/2008 Webb A47G 19/10
248/683

2009/0126641 A1 * 5/2009 Anderson A01K 5/0114
119/61.5
2009/0199775 A1 8/2009 Shamoan
2009/0241844 A1 10/2009 Becattini, Jr. et al.
2010/0107984 A1 5/2010 Uffner et al.
2010/0162961 A1 7/2010 Hove et al.
2010/0180827 A1 7/2010 Becattini, Jr. et al.
2010/0275852 A1 * 11/2010 Lipscomb A01K 5/0114
119/61.5
2011/0253054 A1 10/2011 Hargrove
2012/0186497 A1 7/2012 Spano
2013/0118412 A1 5/2013 Korrie
2013/0334377 A1 12/2013 Lee
2014/0261203 A1 9/2014 Renforth et al.
2014/0338573 A1 11/2014 Rassat
2014/0346293 A1 11/2014 Qui
2015/0214090 A1 7/2015 Jin et al.
2016/0037744 A1 2/2016 Rudin
2016/0073805 A1 * 3/2016 Laurain A47G 19/10
220/575
2016/0120147 A1 5/2016 Antonio
2016/0219832 A1 * 8/2016 Langston A01K 5/0142
2017/0071155 A1 3/2017 Gailen
2017/0086423 A1 3/2017 Wall
2017/0280675 A1 * 10/2017 MacNeil A01K 7/005
2018/0014505 A1 * 1/2018 MacNeil A01K 7/005
2018/0020637 A1 * 1/2018 MacNeil A01K 5/0135
119/61.54
2018/0199542 A1 * 7/2018 Foster A01K 5/0135
2018/0242553 A1 * 8/2018 Nemeth B65D 25/04
2018/0368594 A1 * 12/2018 Hakim F16B 47/00

FOREIGN PATENT DOCUMENTS

JP D1232810 3/2005

OTHER PUBLICATIONS

International Searching Authority, Written Opinion, dated Aug. 17, 2017, seven pages.
Doctor's Advice Peppy, Pet Feeding Systems, catalog, Aug. 31, 2002, vol. 20, Japan.
Benesse Corporation, Pet Feeding Station, web page, downloaded prior to Jan. 31, 2018, Japan.
amazon.com, Collapsible Pet Feeder—small, pink, web page, downloaded prior to Jan. 31, 2018, Japan.
T-K-Maxx, Pink Flexi Pet Bowl Duo, web page, downloaded prior to Jan. 31, 2018, Japan.
Iris Ohyama Incorporated, Pet Feeding Bowls, web page, Jul. 2, 2007.
amazon.com, Double Bowl Feeding Station by Pupmoms, web page, Jan. 10, 2018.
National Center for Industrial Property Information and Training, house.richell.co.jp, Oblong Bowls, downloaded Jan. 10, 2018.
Nissen Company Limited, Oblong Bowl, web page, downloaded prior to Jan. 31, 2018, Japan.
National Center for Industrial Property Information and Training, www.e-narumi.com, Oblong Bowl, downloaded Jan. 10, 2018.

* cited by examiner

Primary Examiner — Susan Moon Lee
(74) *Attorney, Agent, or Firm* — Perkins IP Law Group LLC; Jefferson Perkins

(57) CLAIM

We claim the ornamental design for a single-bowl pet water/food station, as shown and described.

DESCRIPTION

FIG. 1 is a top perspective of a first embodiment of a single-bowl pet water/food station in accordance with our design;

FIG. 2 is a top perspective extended view of the embodiment shown in FIG. 1;

FIG. 3 is a bottom perspective extended view of the embodiment shown in FIG. 1;

FIG. 4 is a top view of the embodiment shown in FIG. 1;

FIG. 5 is a front view of the embodiment shown in FIG. 1;

FIG. 6 is a rear view of the embodiment shown in FIG. 1;

FIG. 7 is a left side view of the embodiment shown in FIG. 1, a right side view thereof being a mirror image of the left side view;

FIG. 8 is a top perspective view of a mat and used in the embodiment shown in FIG. 1;

FIG. 9 is a top view of the mat shown in FIG. 8;

FIG. 10 is a front view of the mat shown in FIG. 8;

FIG. 11 is a rear view of the mat shown in FIG. 8;

FIG. 12 is a right side view of the mat shown in FIG. 8, a left side view thereof being a mirror image of the right side view;

FIG. 13 is a sectional view taken along Line 13-13 of FIG. 9;

FIG. 14 is a sectional view taken along Line 14-14 of FIG. 9;

FIG. 15 is a top perspective view of a second embodiment of the single-bowl pet water/food station;

FIG. 16 is a top perspective extended view of the embodiment shown in FIG. 15;

FIG. 17 is a bottom perspective extended view of the embodiment shown in FIG. 15;

FIG. 18 is a top view of the embodiment shown in FIG. 15;

FIG. 19 is a front view of the embodiment shown in FIG. 15;

FIG. 20 is a rear view of the embodiment shown in FIG. 15;

FIG. 21 is a left side view of the embodiment shown in FIG. 15, a right side view thereof being a mirror image of the left side view;

FIG. 22 is a top perspective view of a mat used in the embodiment shown in FIG. 15;

FIG. 23 is a top view of the mat shown in FIG. 22;

FIG. 24 is a front view of the mat shown in FIG. 22;

FIG. 25 is a rear view of the mat shown in FIG. 22;

FIG. 26 is a right side view of the mat shown in FIG. 22, a left side view thereof being a mirror image of the right side view;

FIG. 27 is a sectional view taken along Line 27-27 of FIG. 23;

FIG. 28 is a sectional view taken along Line 28-28 of FIG. 23;

FIG. 29 is a top perspective view of a third embodiment of the single-bowl pet water/food station;

FIG. 30 is a top perspective extended view of the embodiment shown in FIG. 29;

FIG. 31 is a bottom perspective extended view of the embodiment shown in FIG. 29;

FIG. 32—is a top view of the embodiment shown in FIG. 29;

FIG. 33 is a front view of the embodiment shown in FIG. 29;

FIG. 34 is a rear view of the embodiment shown in FIG. 29;

FIG. 35 is a left side view of the embodiment shown in FIG. 29, a right side view thereof being a mirror image of the left side view;

FIG. 36 is a top perspective view of a mat used in the embodiment shown in FIG. 29;

FIG. 37 is a top view of the mat shown in FIG. 36;

FIG. 38 is a front view of the mat shown in FIG. 36;

FIG. 39 is a rear view of the mat shown in FIG. 36;

FIG. 40 is a right side view of the mat shown in FIG. 36, a left side view thereof being a mirror image of the right side view;

FIG. 41 is a sectional view taken along Line 41-41 of FIG. 37;

FIG. 42 is a sectional view taken along Line 42-42 of FIG. 37;

FIG. 43 is a top perspective view of a fourth embodiment of the single-bowl pet water/food station;

FIG. 44 is a top perspective extended view of the embodiment shown in FIG. 43;

FIG. 45 is a bottom perspective extended view of the embodiment shown in FIG. 43;

FIG. 46 is a top view of the embodiment shown in FIG. 43;

FIG. 47 is a front view of the embodiment shown in FIG. 43;

FIG. 48 is a rear view of the embodiment shown in FIG. 43;

FIG. 49 is a left side view of the embodiment shown in FIG. 43, a right side view thereof being a mirror image of the left side view;

FIG. 50 is a top perspective view of a mat used in the embodiment shown in FIG. 43;

FIG. 51 is a top view of the mat shown in FIG. 50;

FIG. 52 is a front view of the mat shown in FIG. 50;

FIG. 53 is a rear view of the mat shown in FIG. 50;

FIG. 54 is a right side view of the mat shown in FIG. 50, a left side view thereof being a mirror image of the right side view;

FIG. 55 is a sectional view taken along Line 55-55 of FIG. 51;

FIG. 56 is a sectional view taken along Line 56-56 of FIG. 51;

FIG. 57 is a top perspective view of a fifth embodiment of the single-bowl pet water/food station;

FIG. 58 is a top perspective extended view of the embodiment shown in FIG. 57;

FIG. 59 is a bottom perspective extended view of the embodiment shown in FIG. 57;

FIG. 60 is a top view of the embodiment shown in FIG. 57;

FIG. 61 is a front view of the embodiment shown in FIG. 57;

FIG. 62 is a rear view of the embodiment shown in FIG. 57;

FIG. 63 is a left side view of the embodiment shown in FIG. 57, a right side view thereof being a mirror image of the left side view;

FIG. 64 is a top perspective view of a mat used in the embodiment shown in FIG. 57;

FIG. 65 is a top view of the mat shown in FIG. 64;

FIG. 66 is a front view of the mat shown in FIG. 64;

FIG. 67 is a rear view of the mat shown in FIG. 64;

FIG. 68 is a right side view of the mat shown in FIG. 64, a left side view thereof being a mirror image of the right side view;

FIG. 69 is a sectional view taken along Line 69-69 of FIG. 65; and,

FIG. 70 is a sectional view taken along Line 70-70 of FIG. 65.

The bottoms of the assembled stations shown in FIGS. 1-7, 15-21, 29-35, 43-49 and 57-63, and the bottoms of the mats shown in FIGS. 8-14, 22-28, 36-42, 50-56 and 64-70 are unadorned and form no portion of the claimed design. Broken lines and unshaded portions contained within broken lines are shown for illustrative purposes only and form no part of the claimed design.

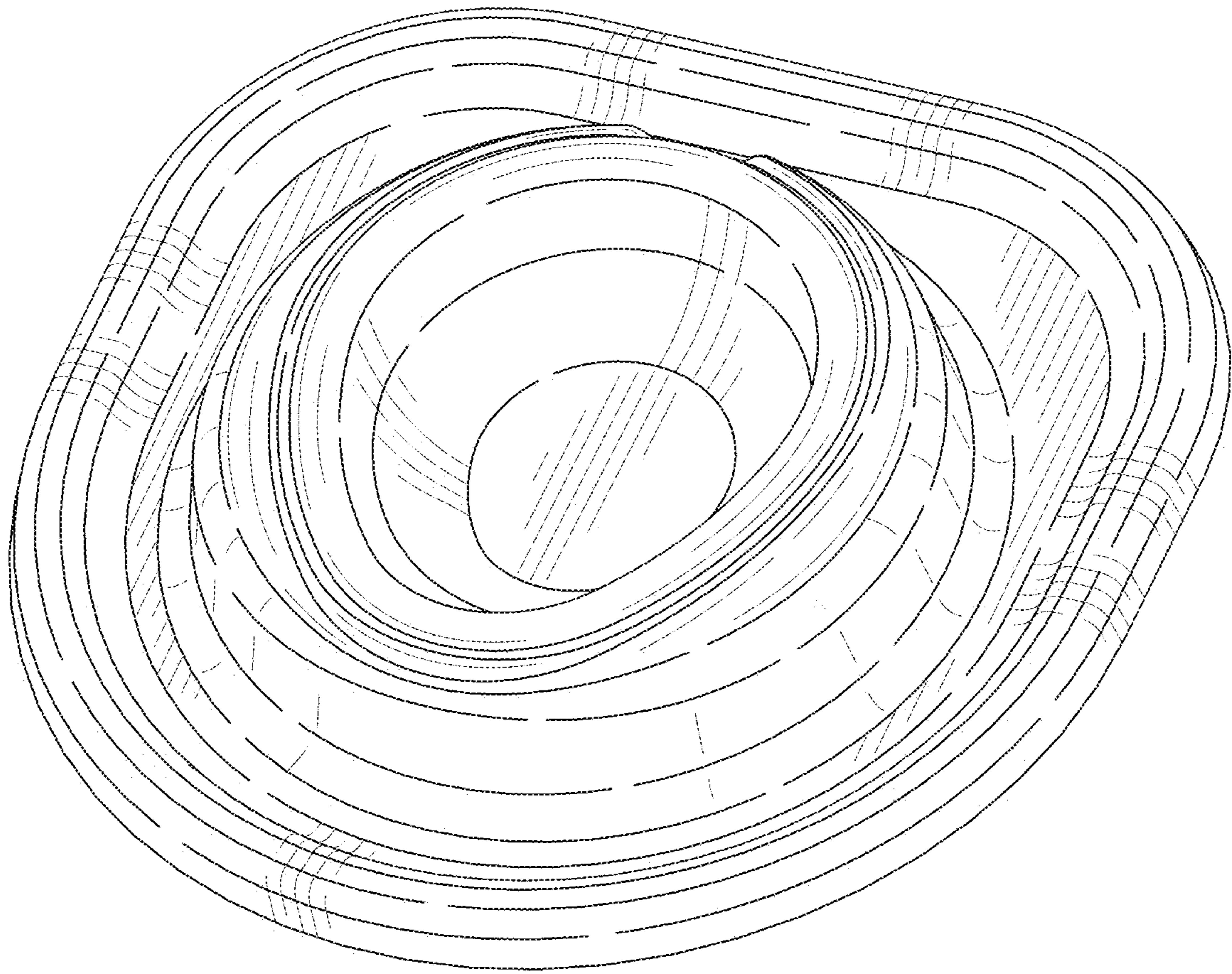


FIG. 1

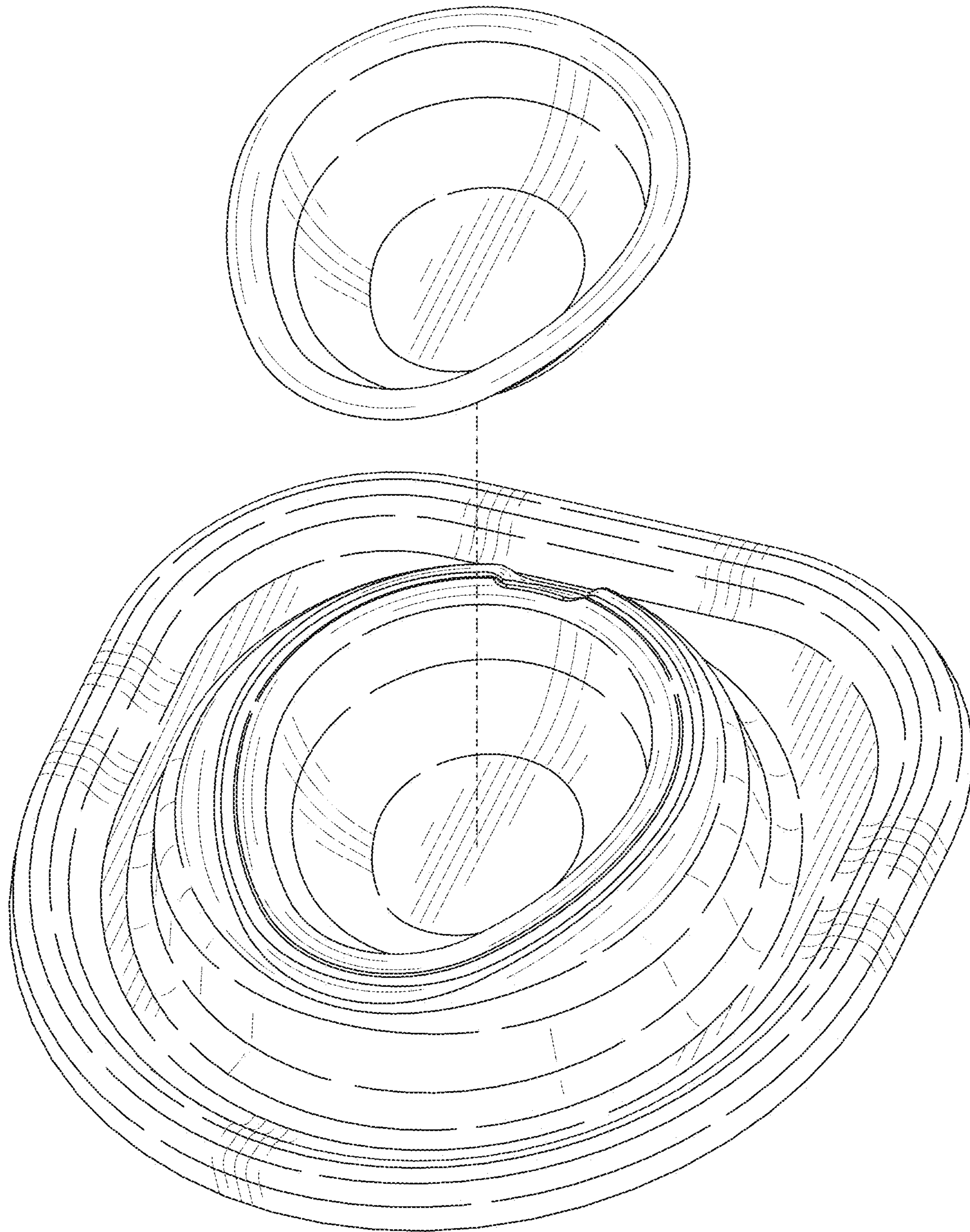


FIG. 2

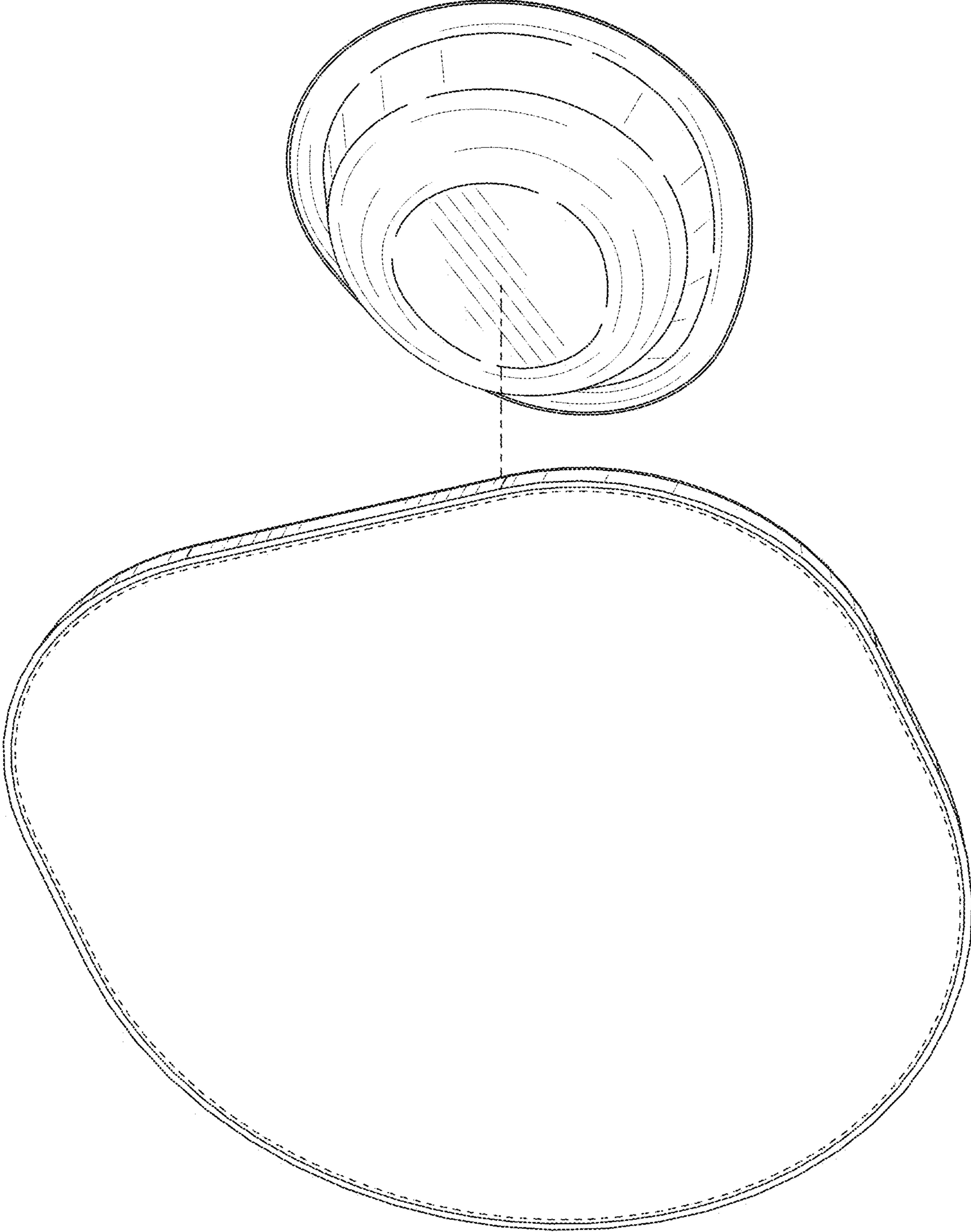


FIG. 3

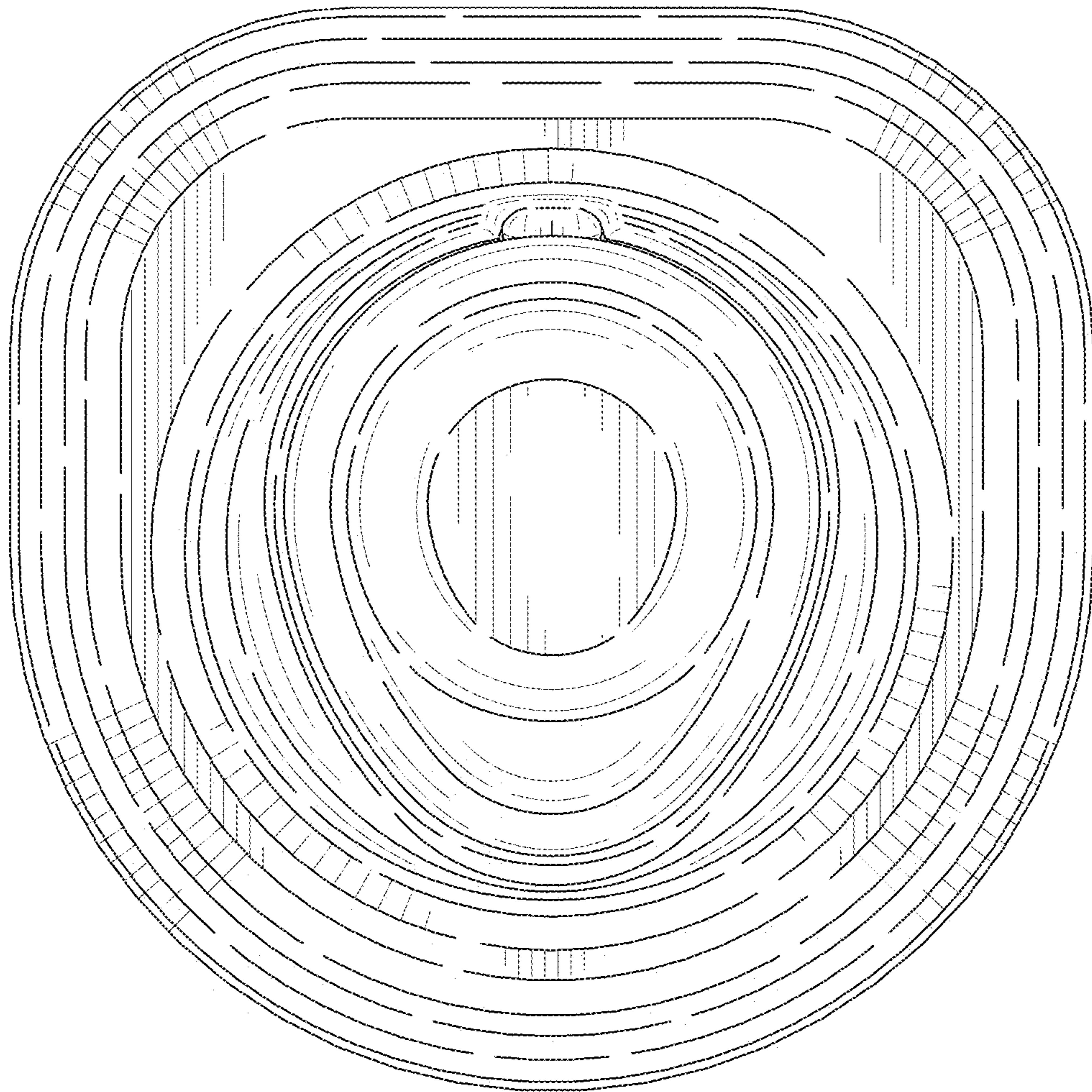


FIG. 4



FIG. 5

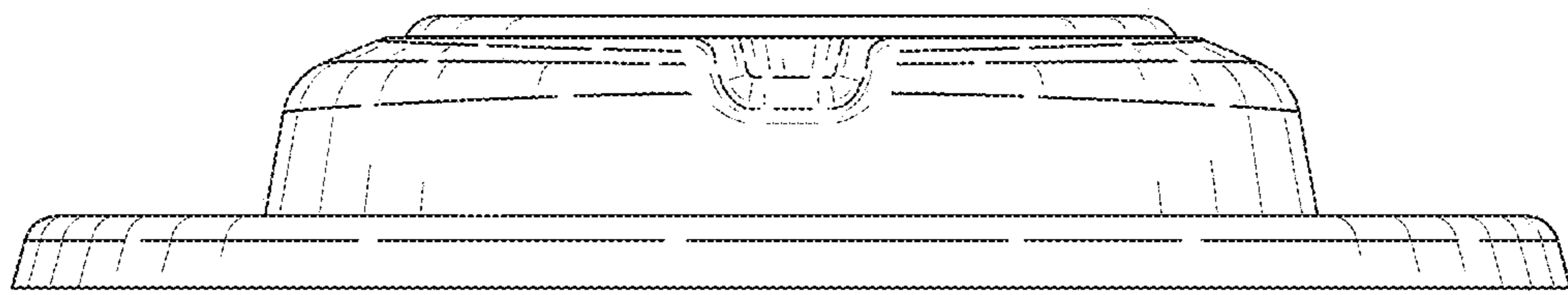


FIG. 6

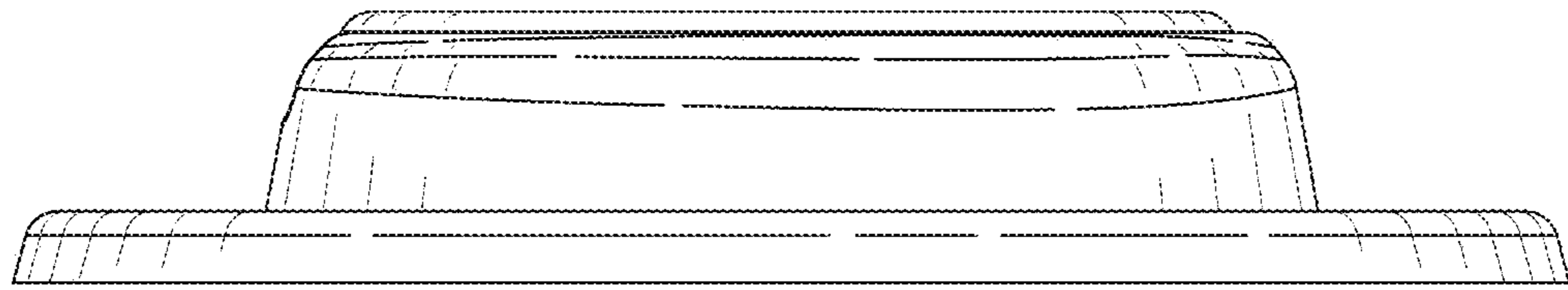


FIG. 7

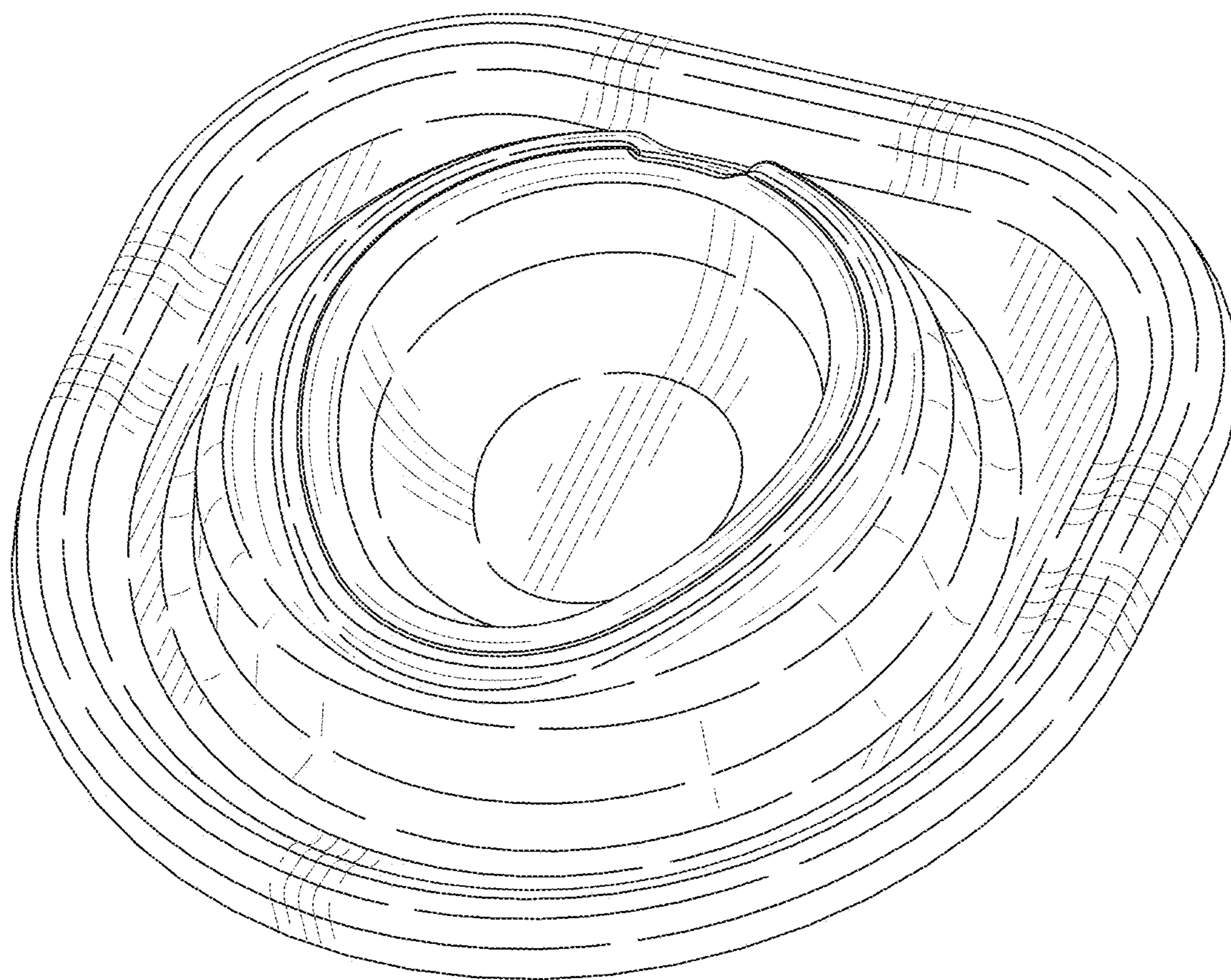


FIG. 8

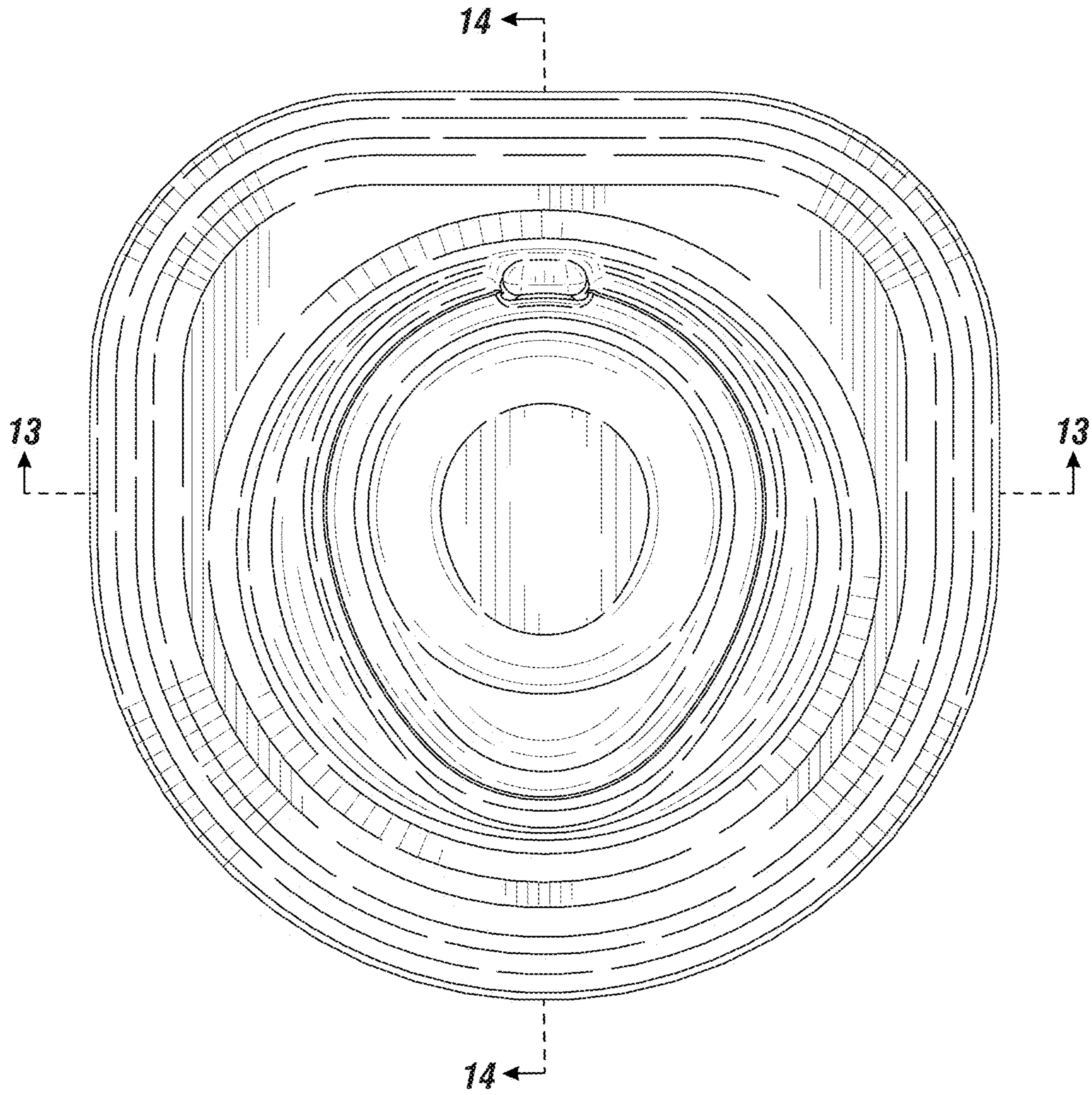


FIG. 9

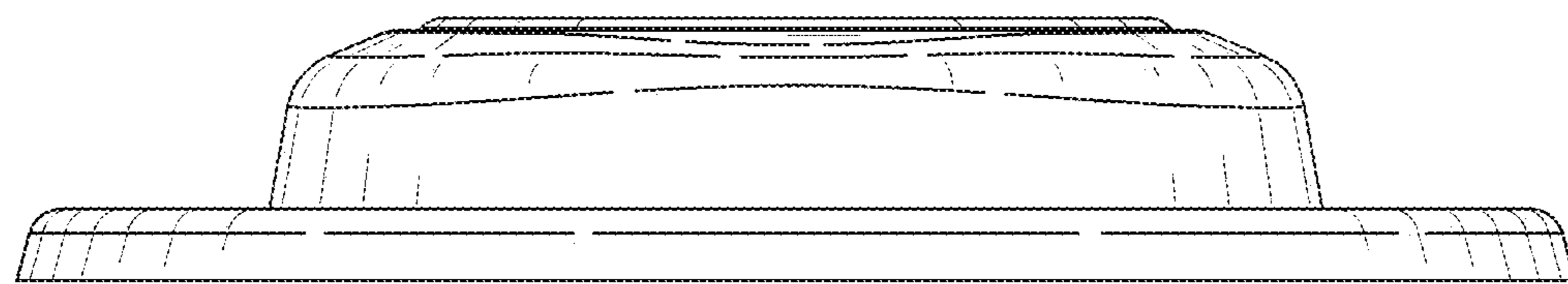


FIG. 10

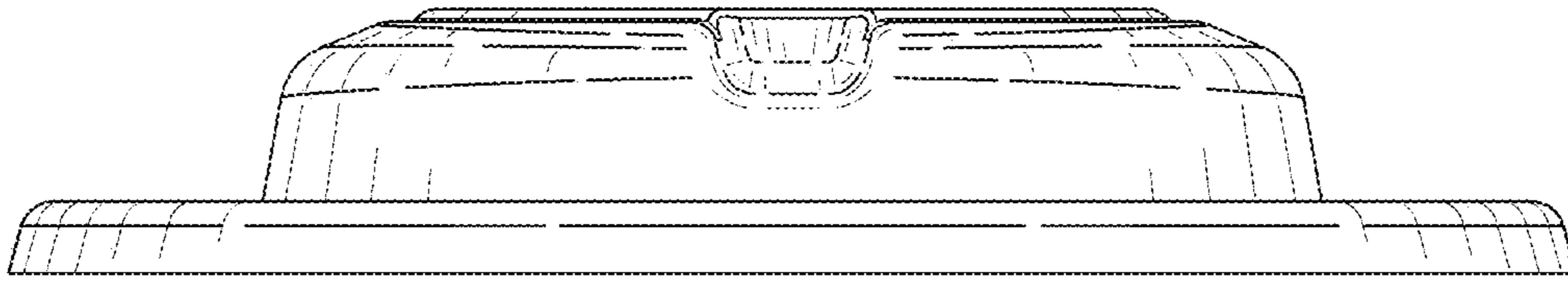


FIG. 11

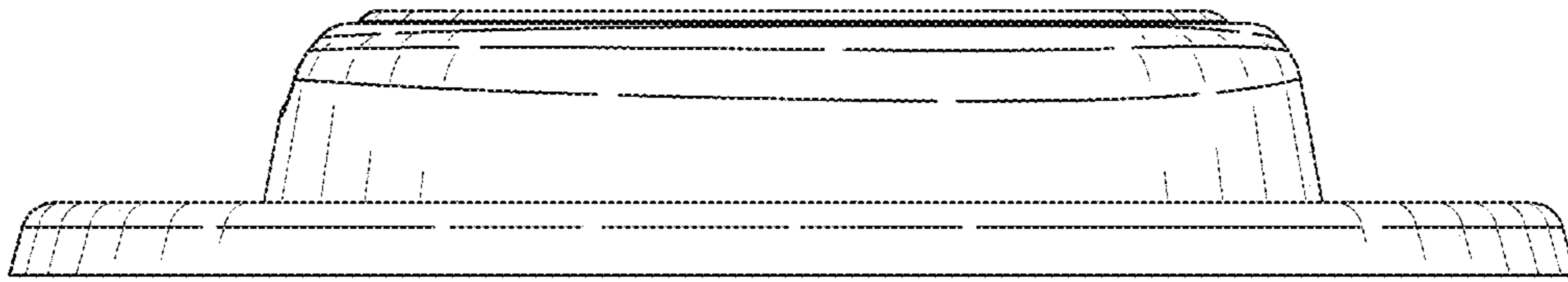


FIG. 12

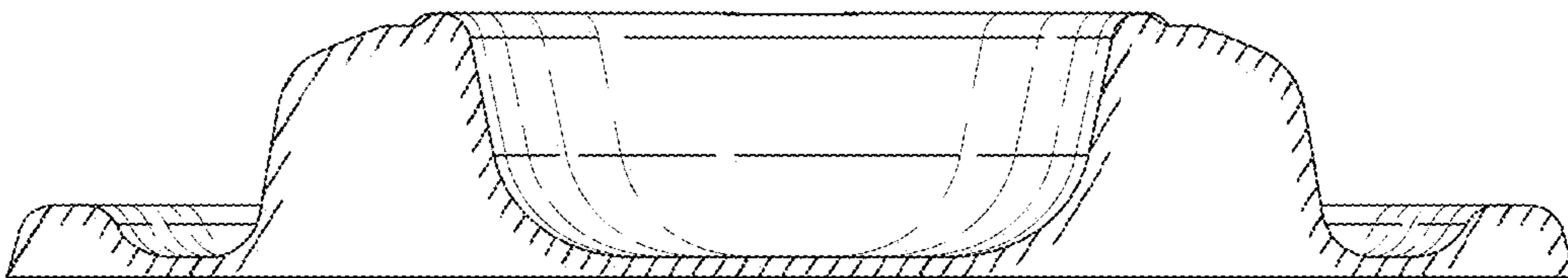


FIG. 13

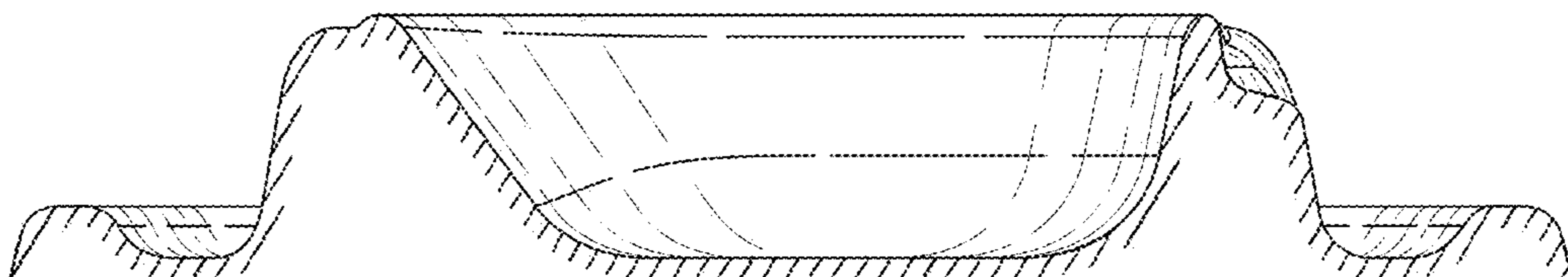


FIG. 14

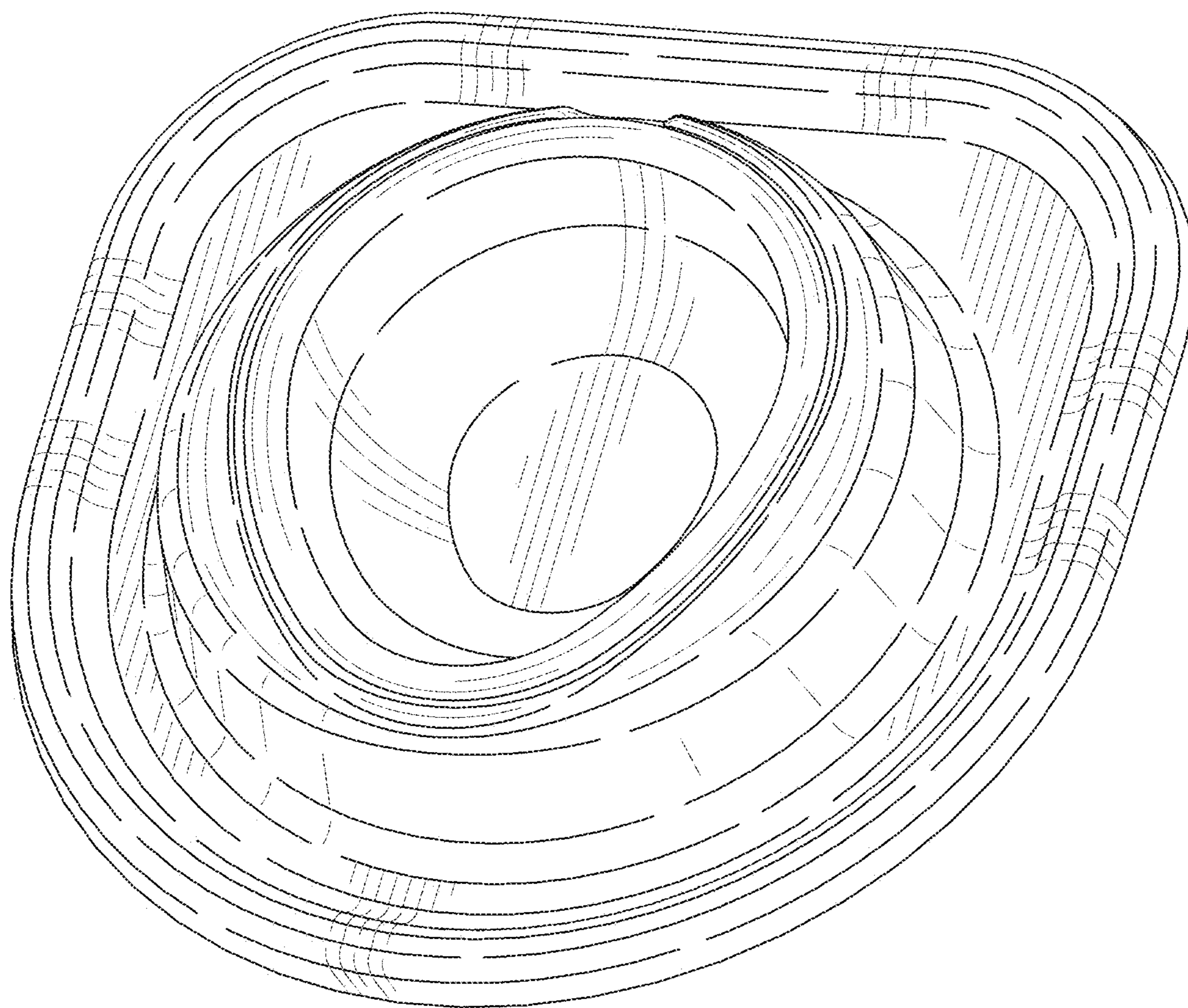


FIG. 15

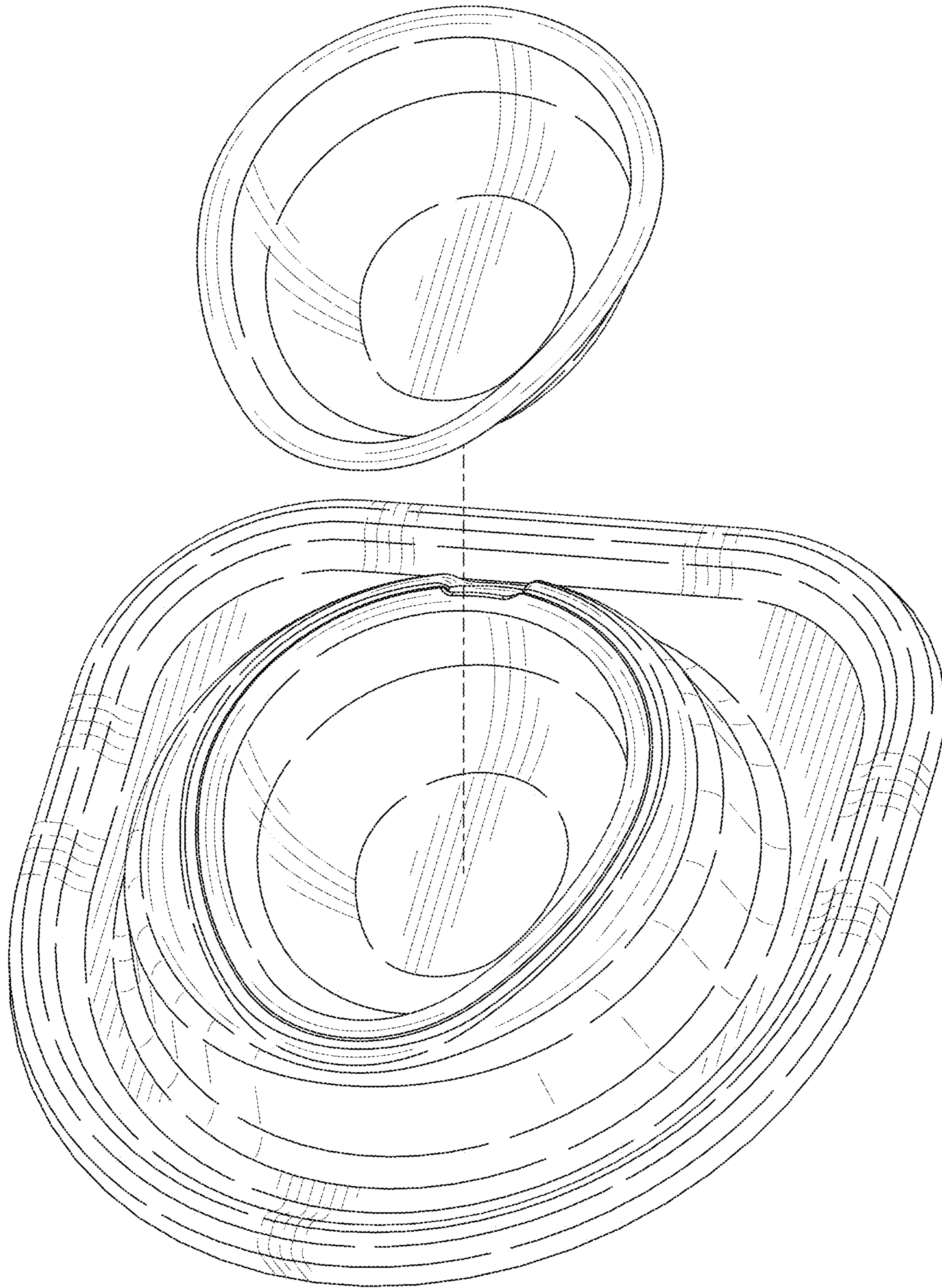


FIG. 16

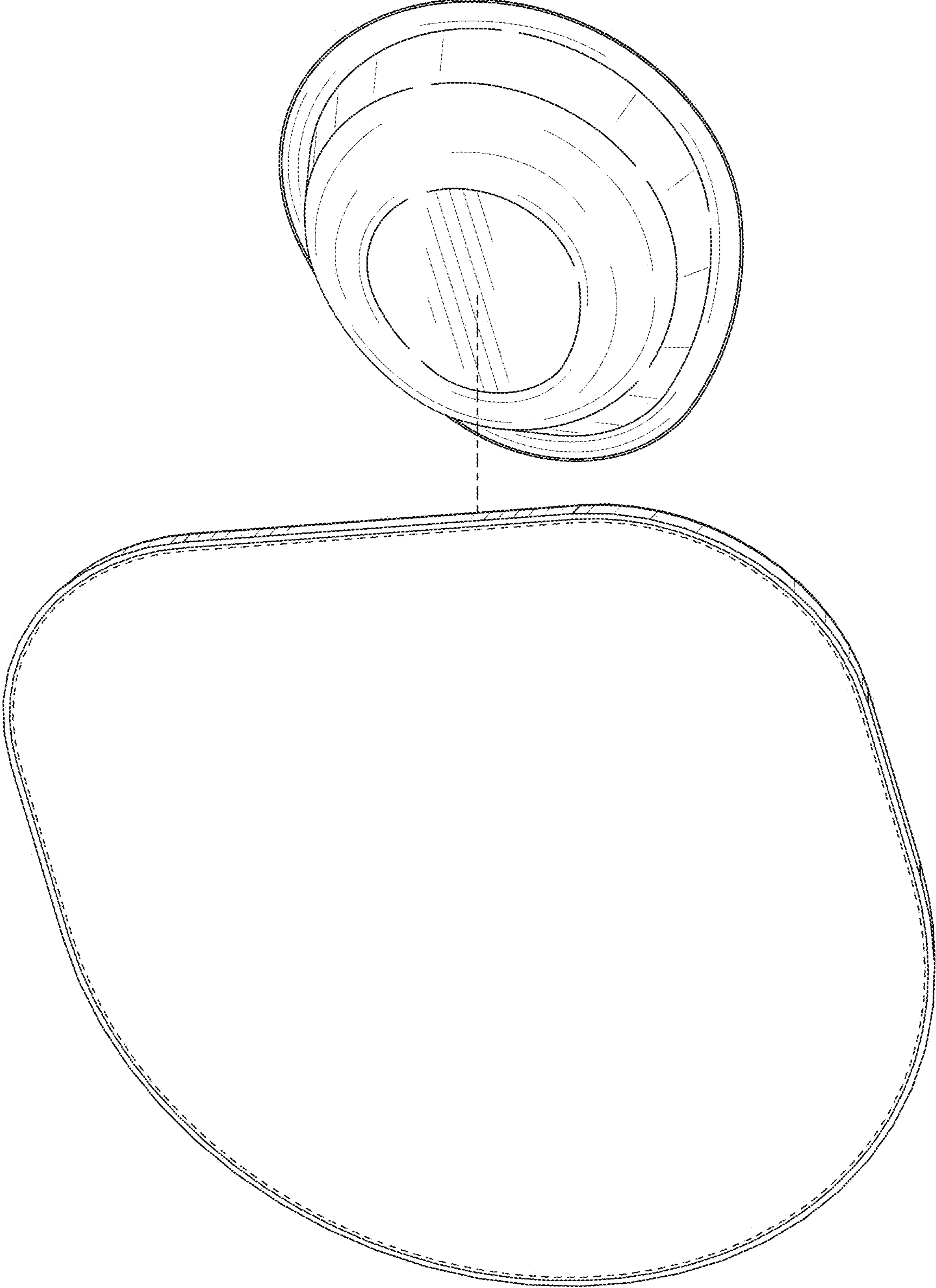


FIG. 17

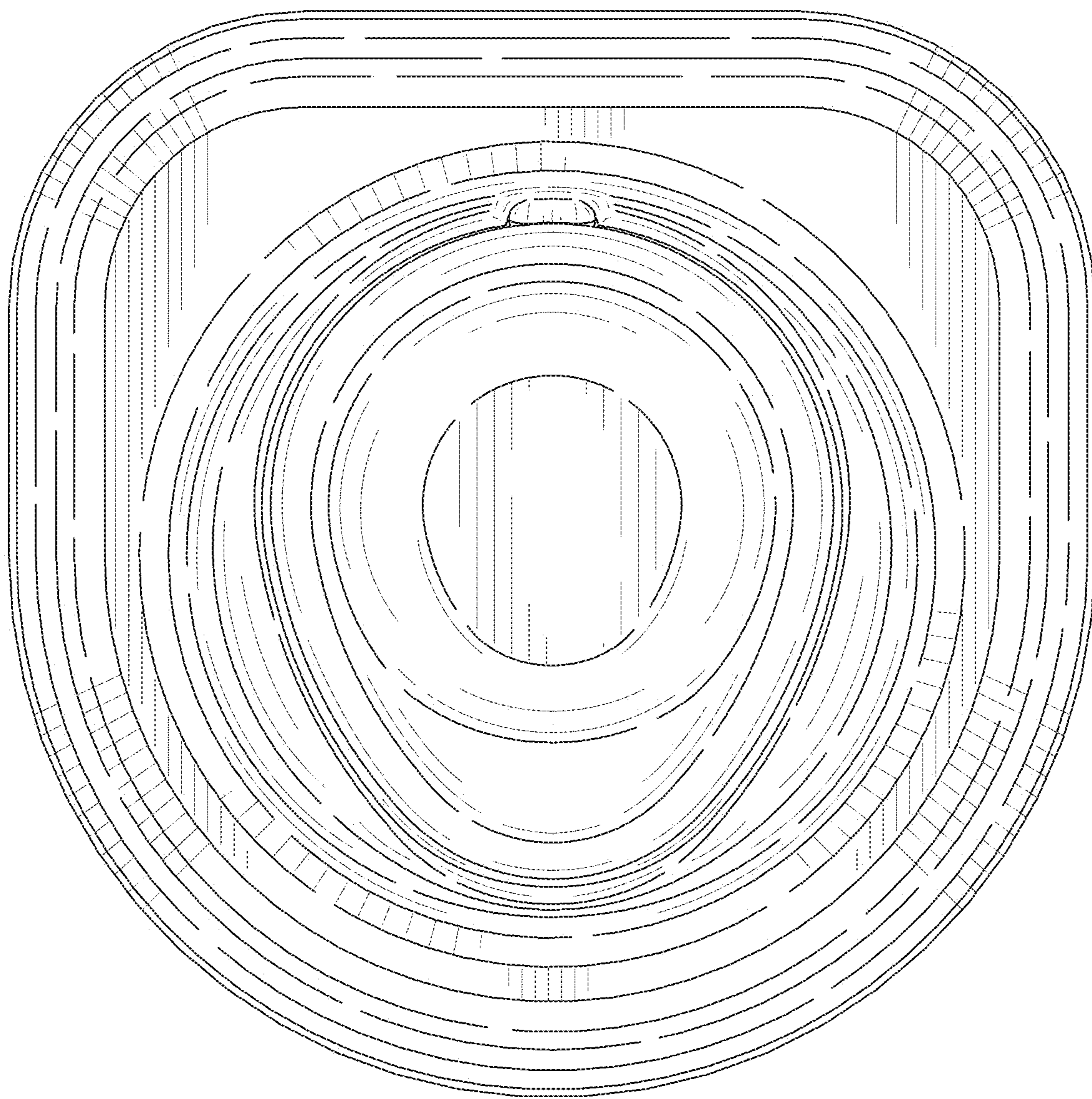


FIG. 18

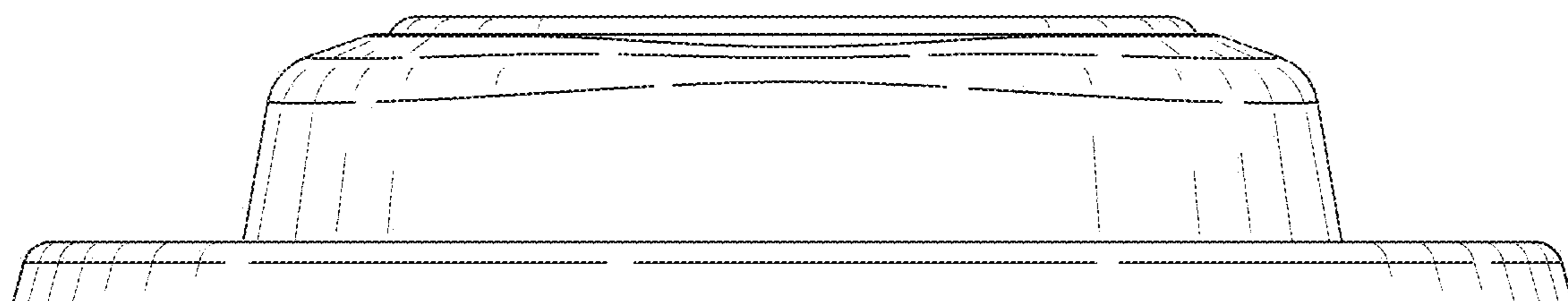


FIG. 19

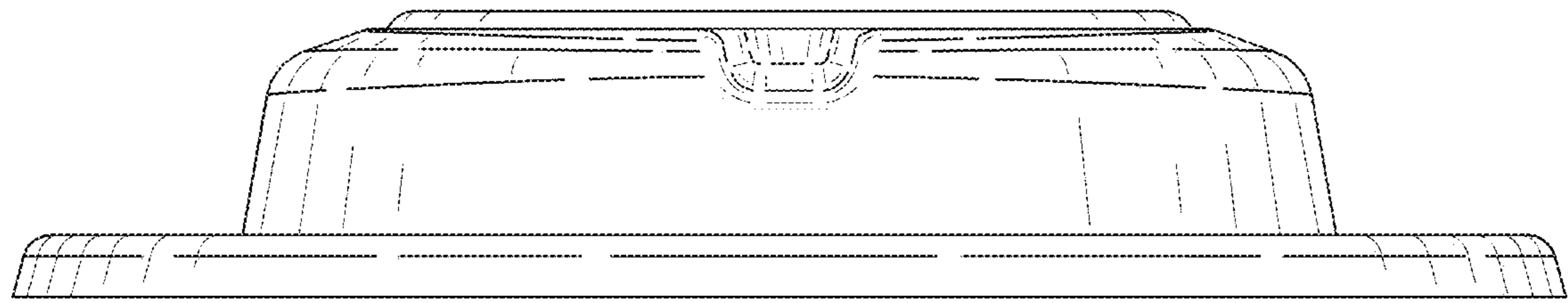


FIG. 20

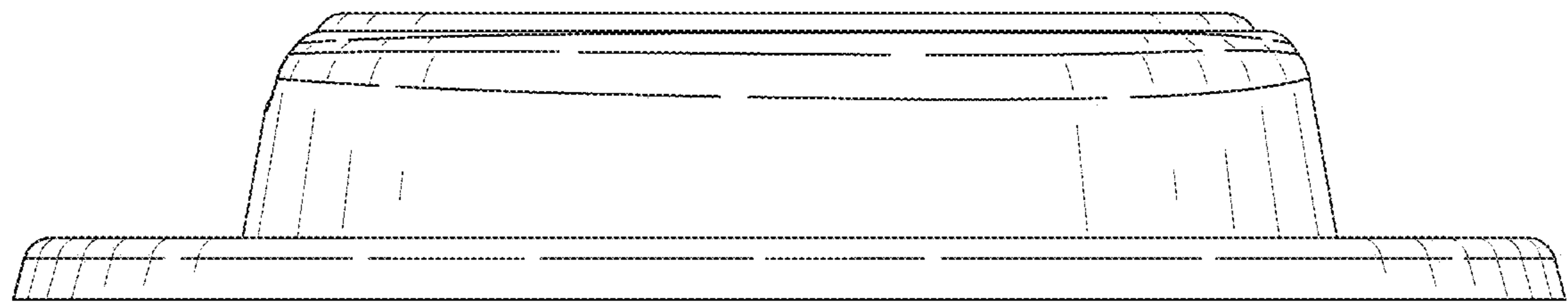


FIG. 21

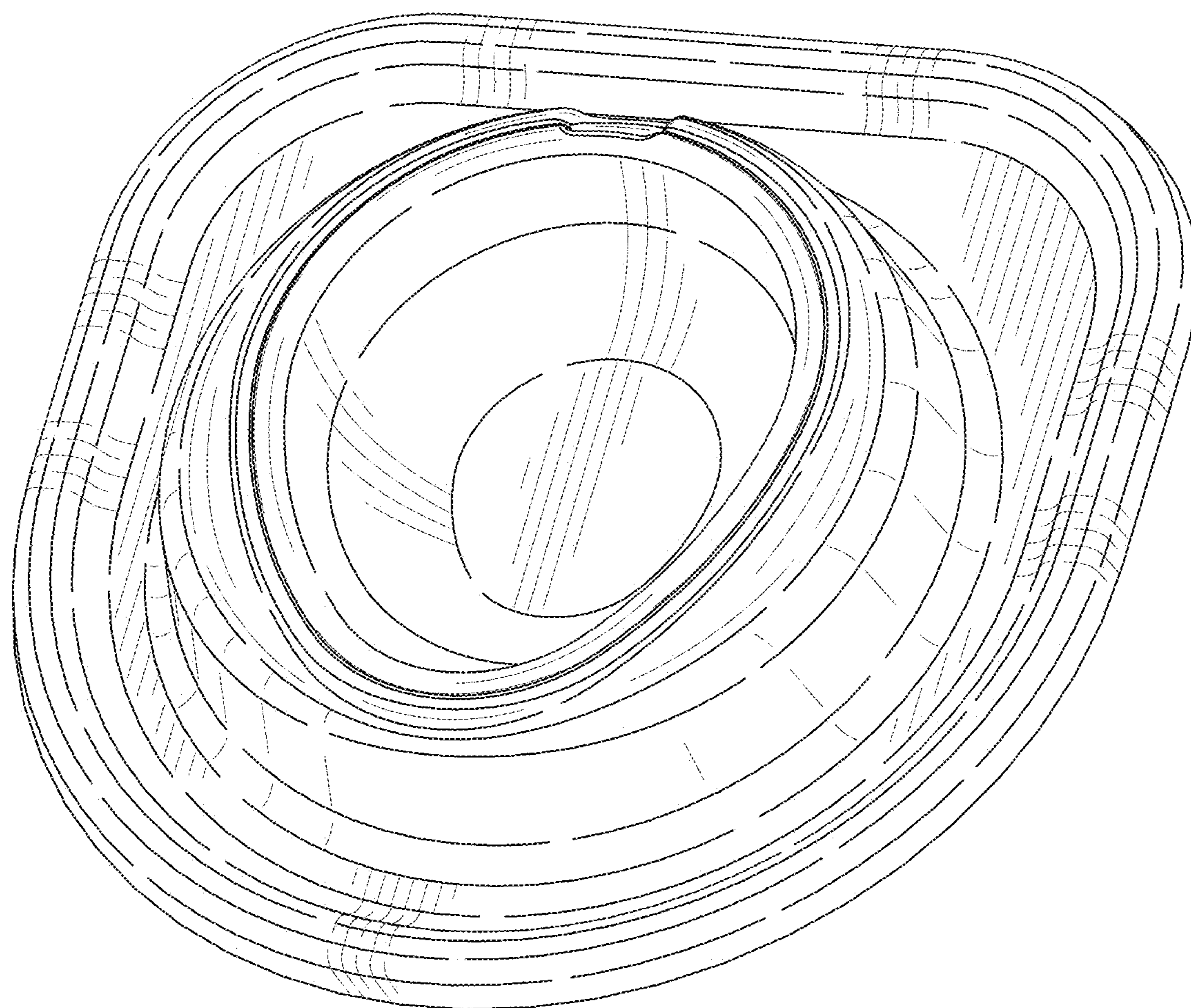


FIG. 22

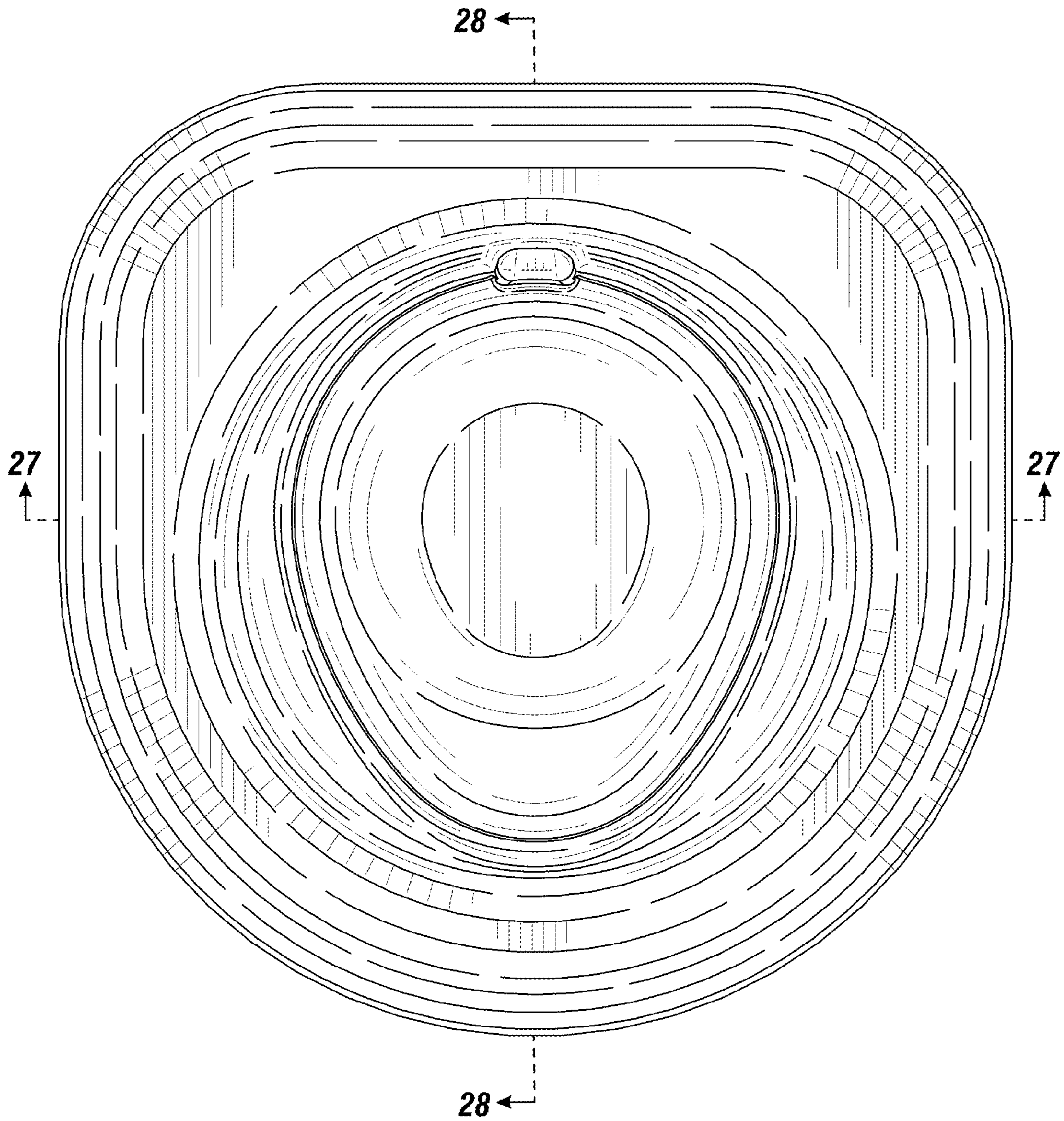


FIG. 23

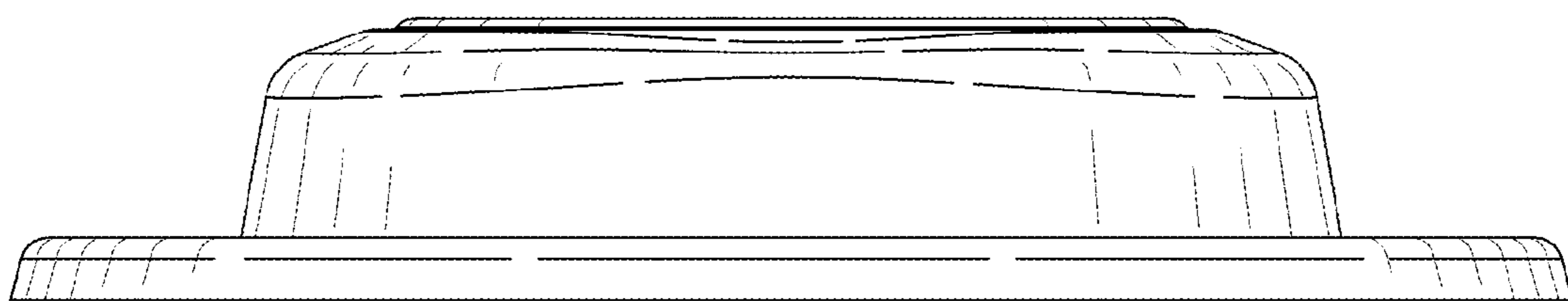


FIG. 24

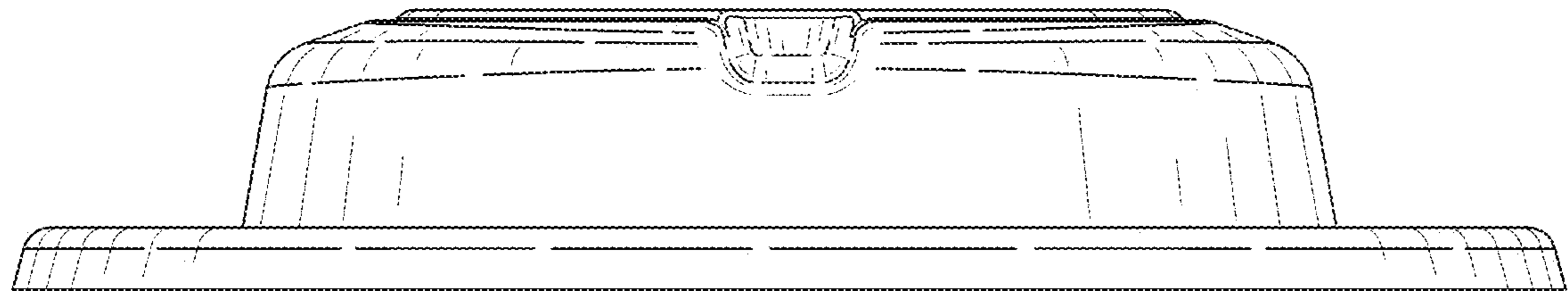


FIG. 25

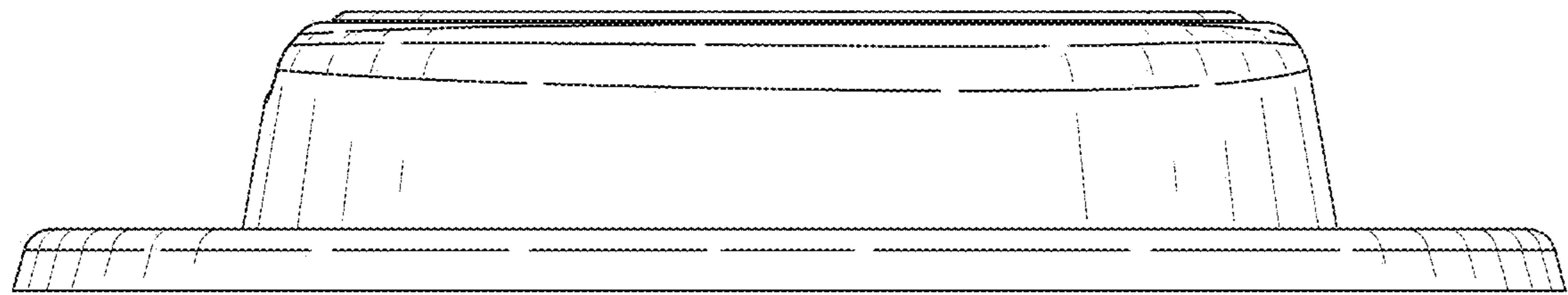


FIG. 26

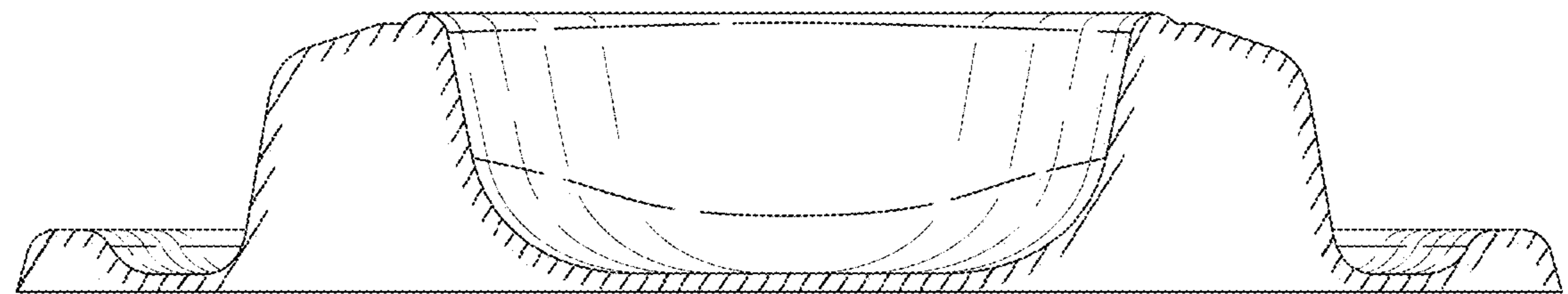


FIG. 27

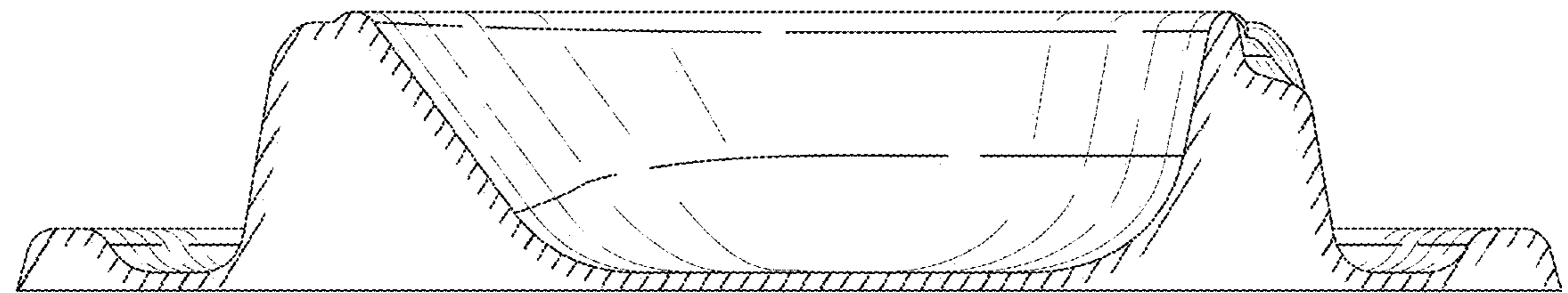


FIG. 28

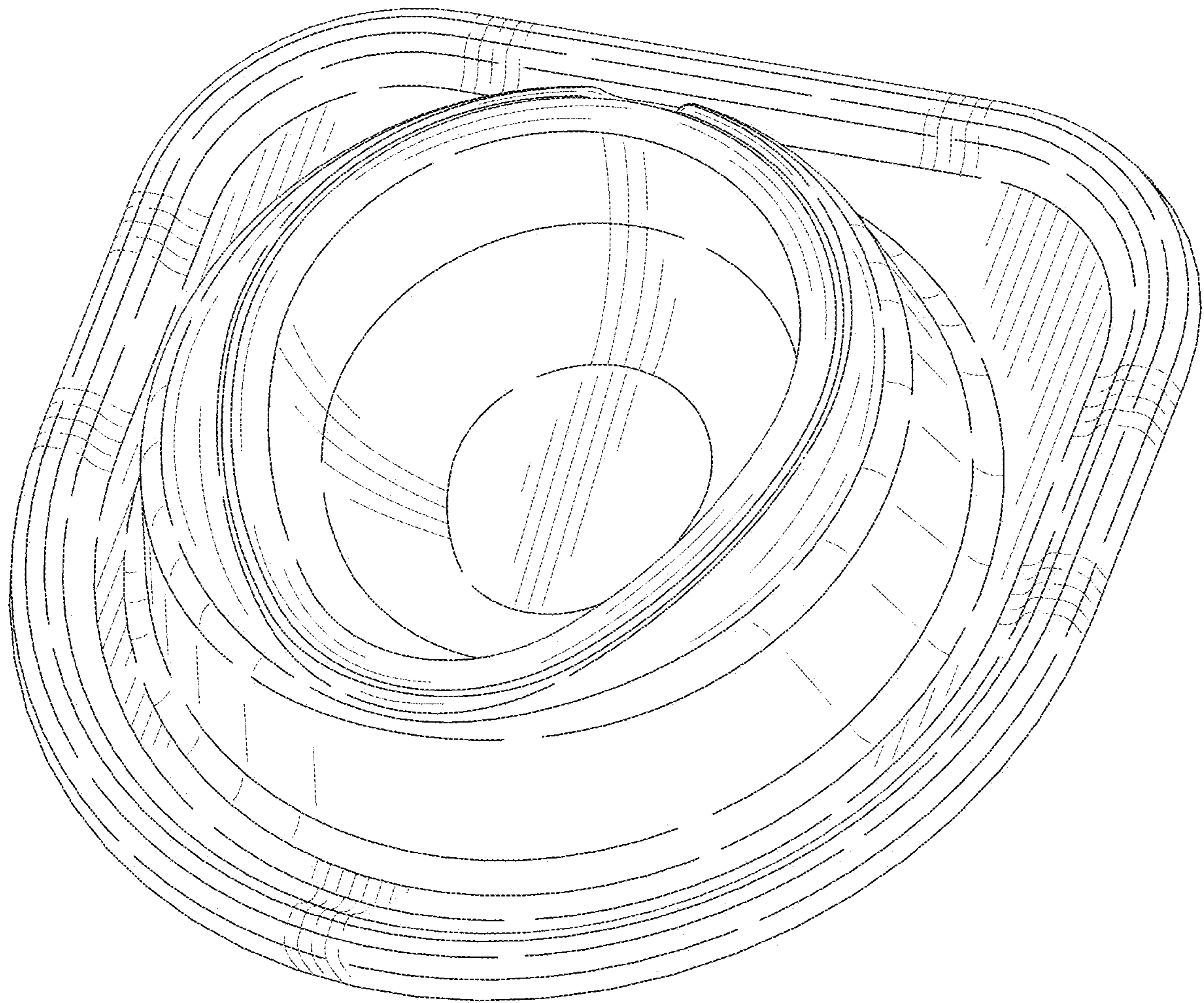


FIG. 29

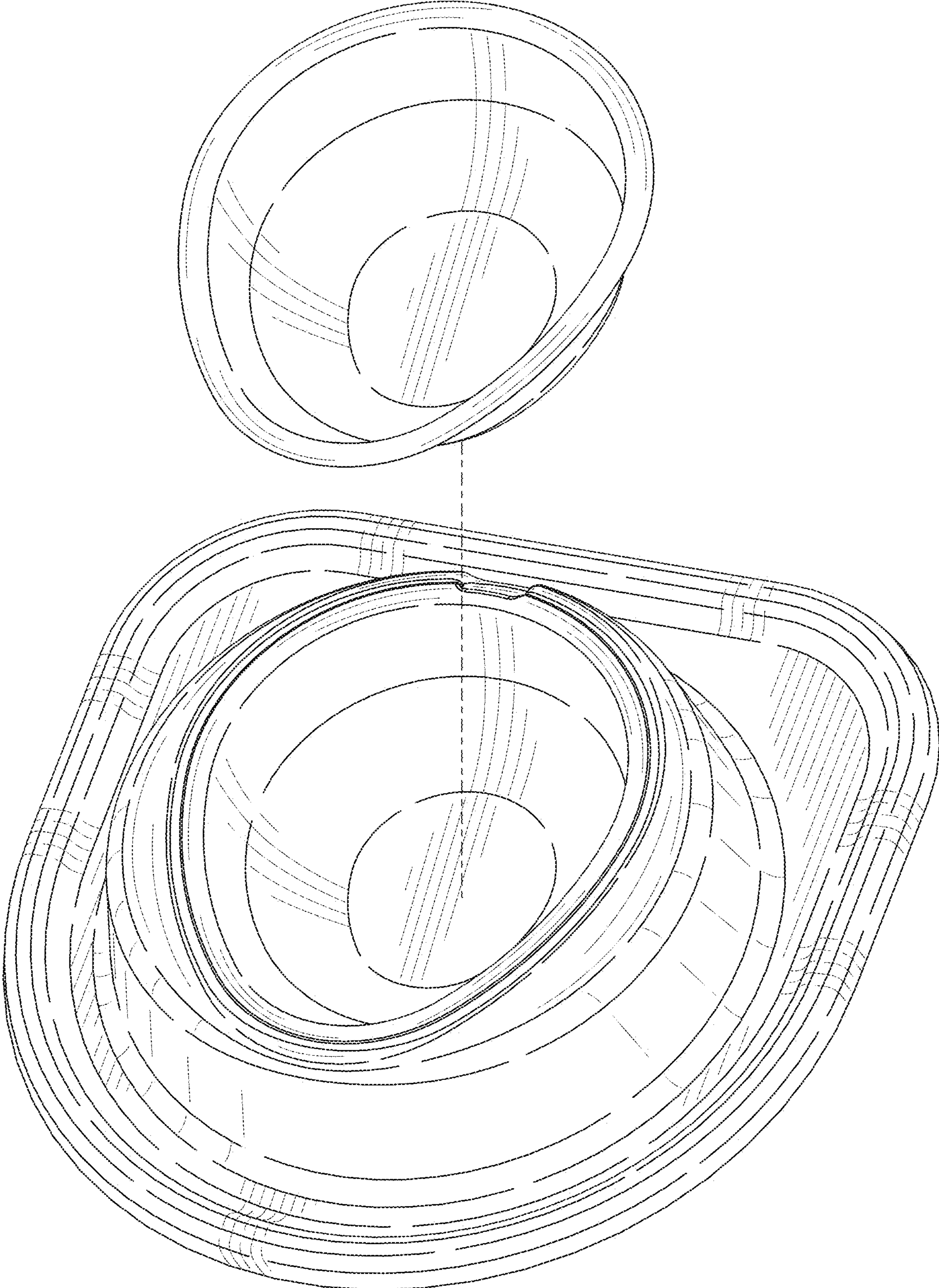


FIG. 30

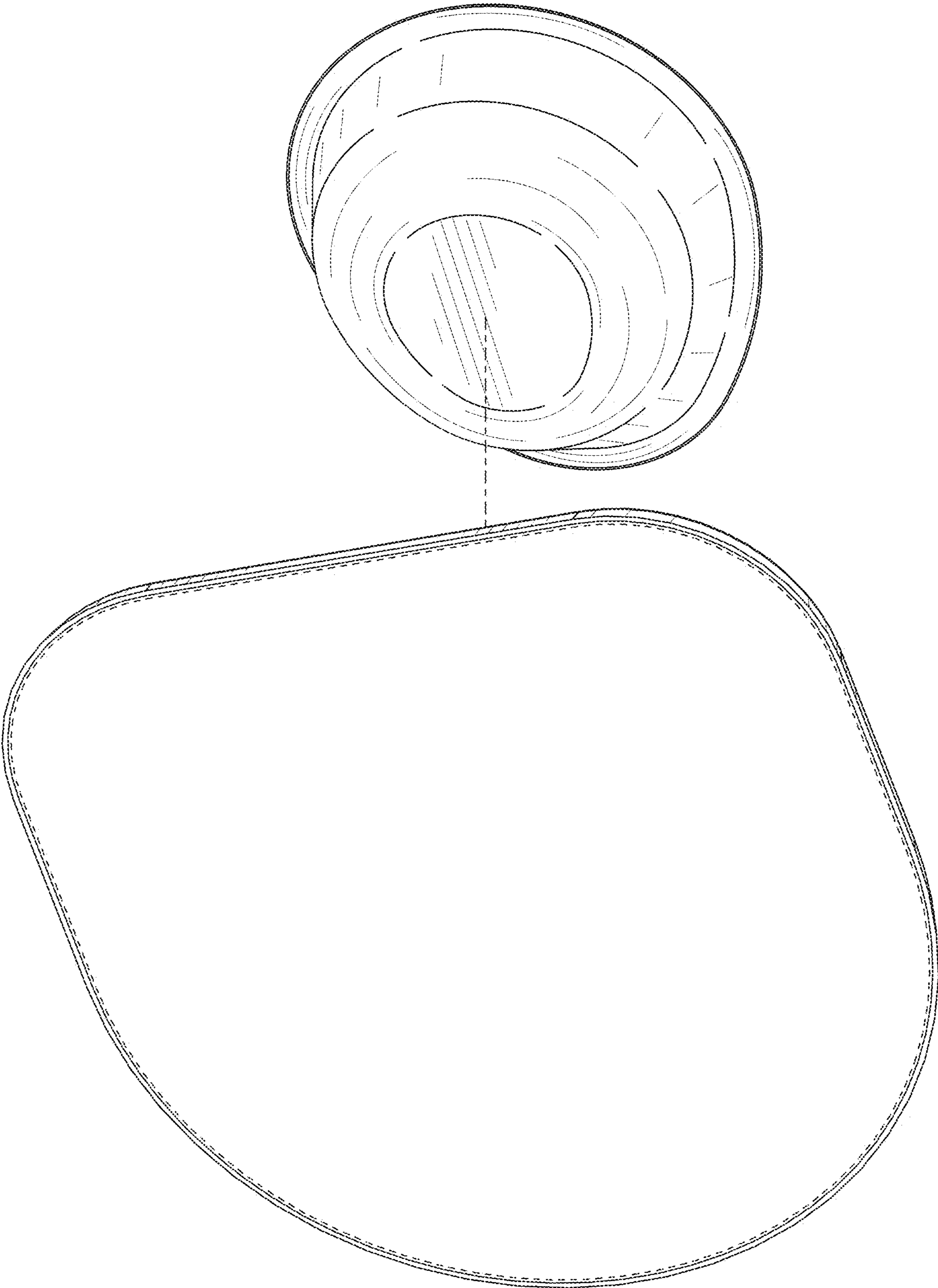


FIG. 31

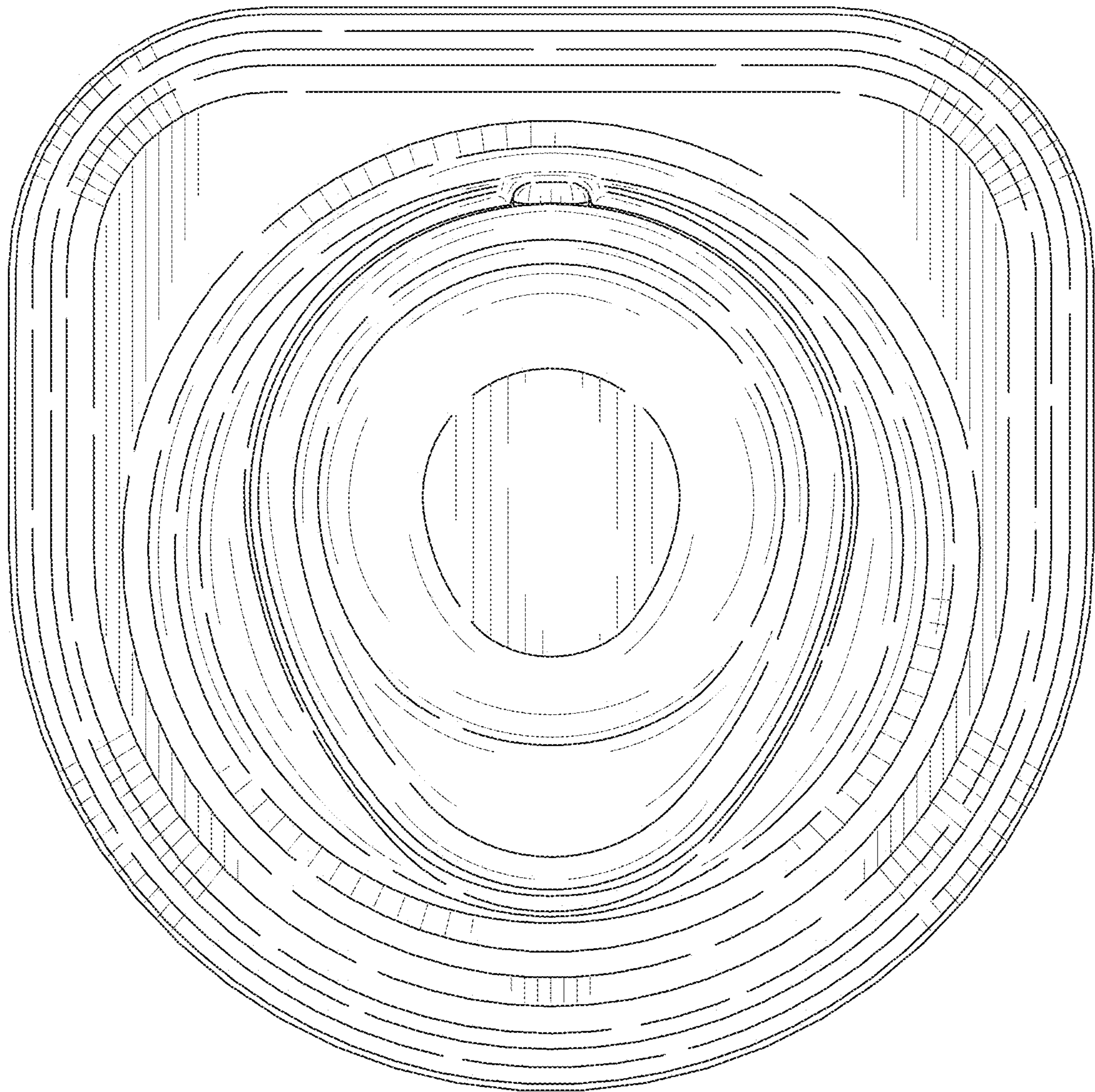


FIG. 32

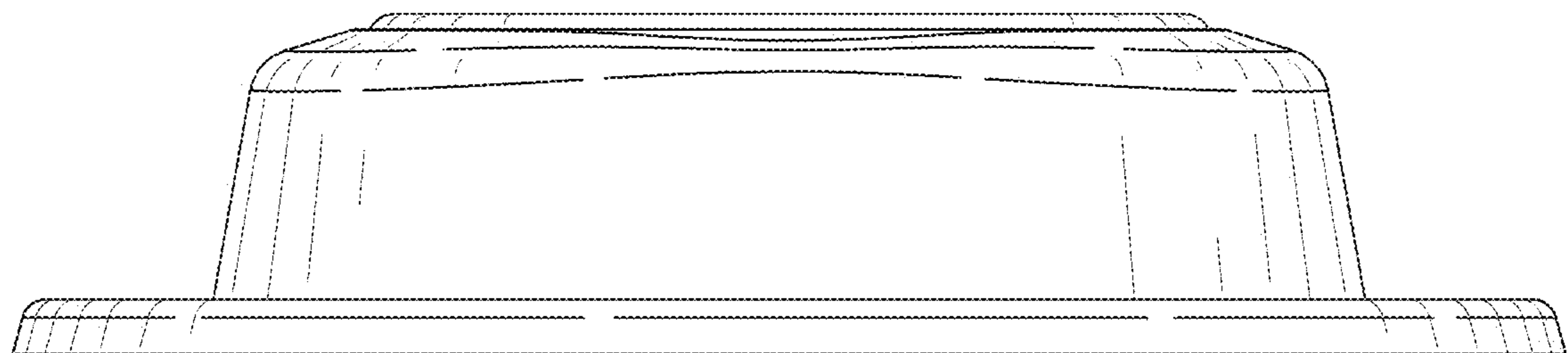


FIG. 33

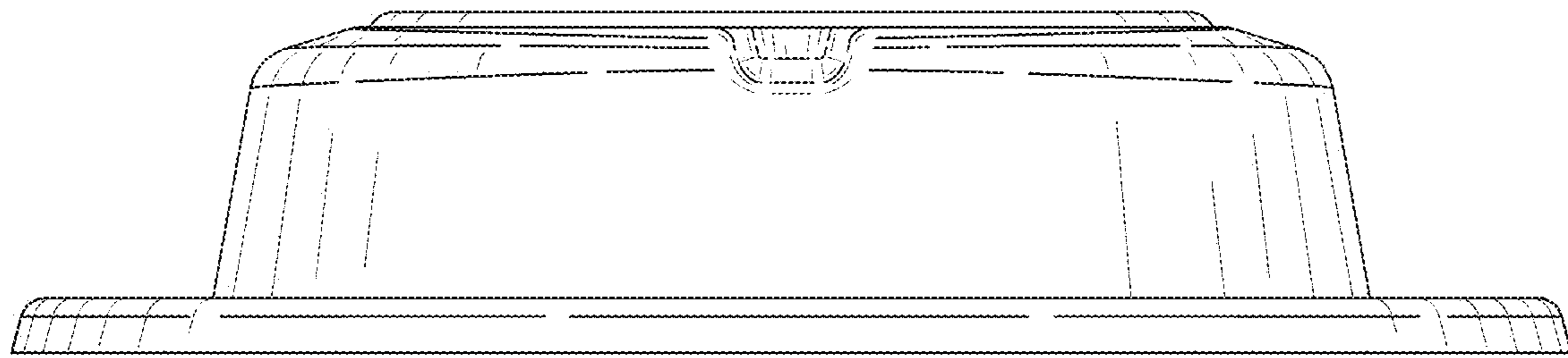


FIG. 34

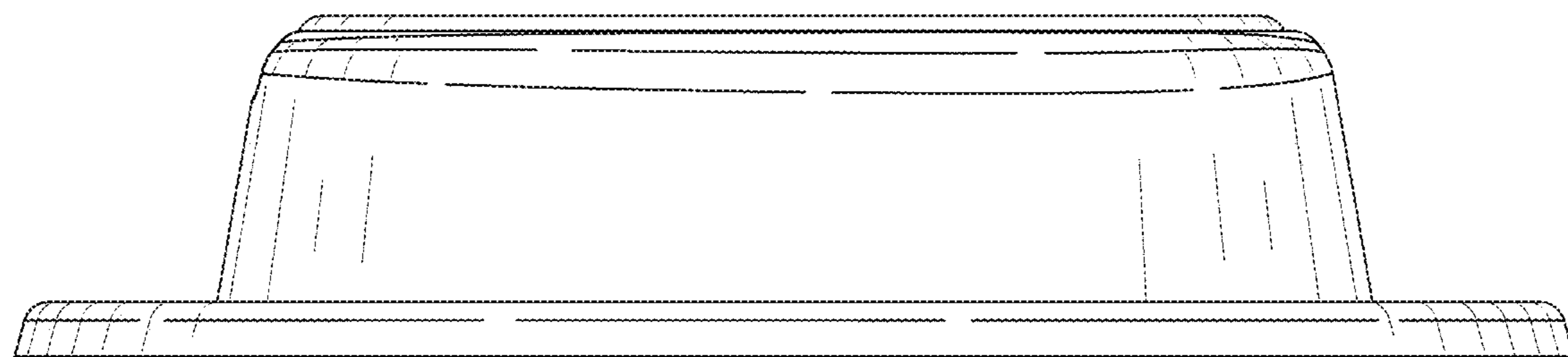


FIG. 35

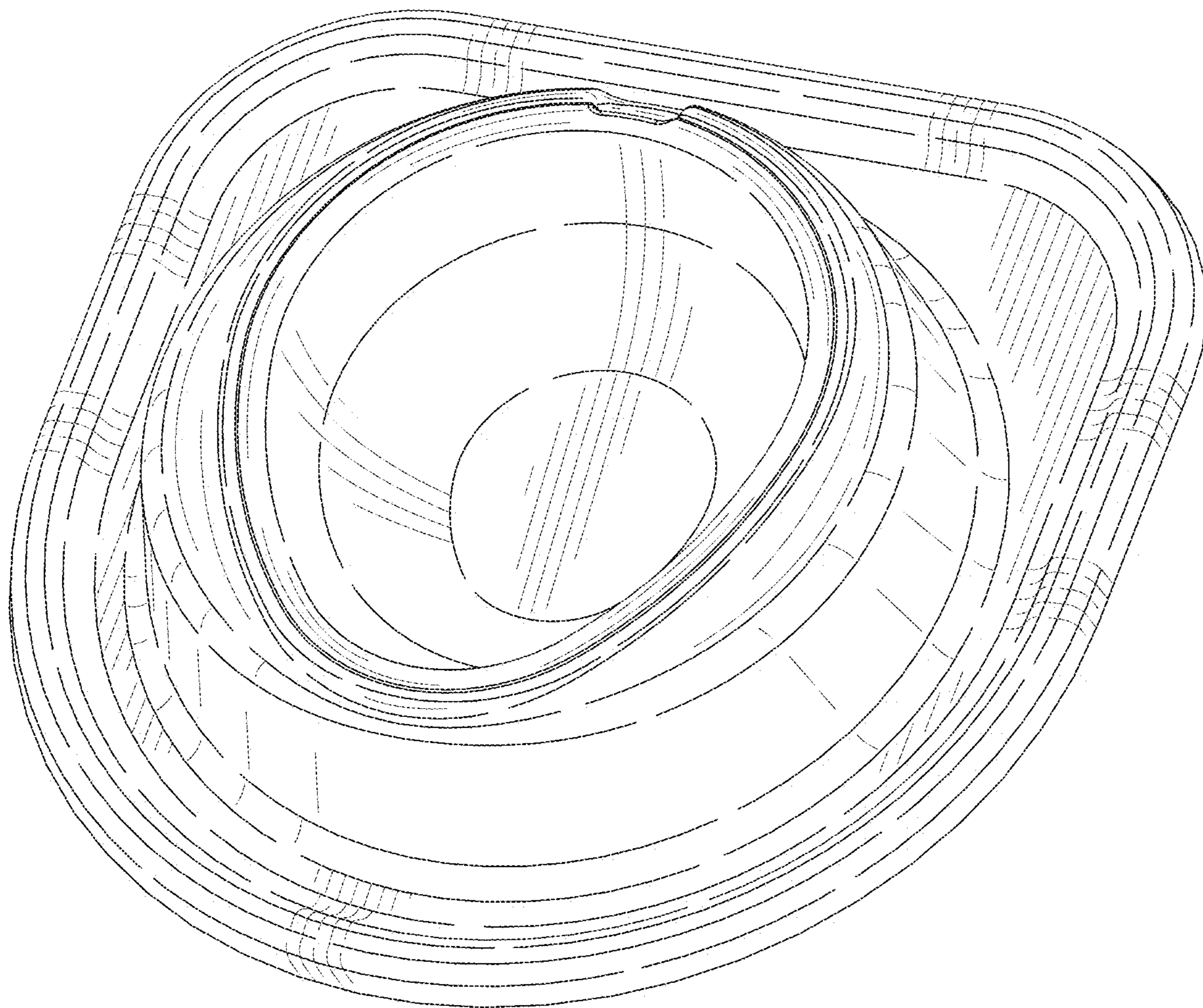


FIG. 36

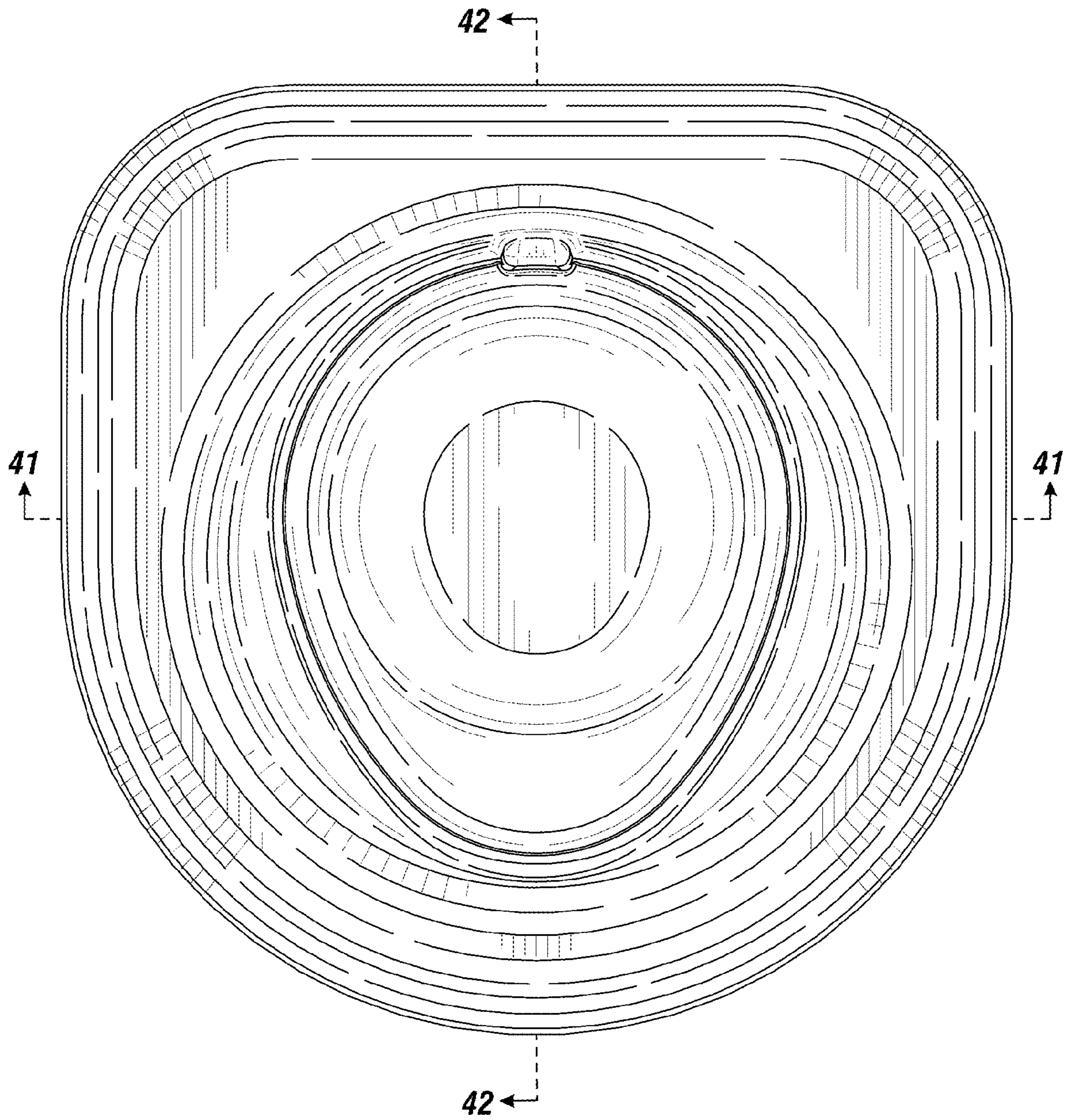


FIG. 37

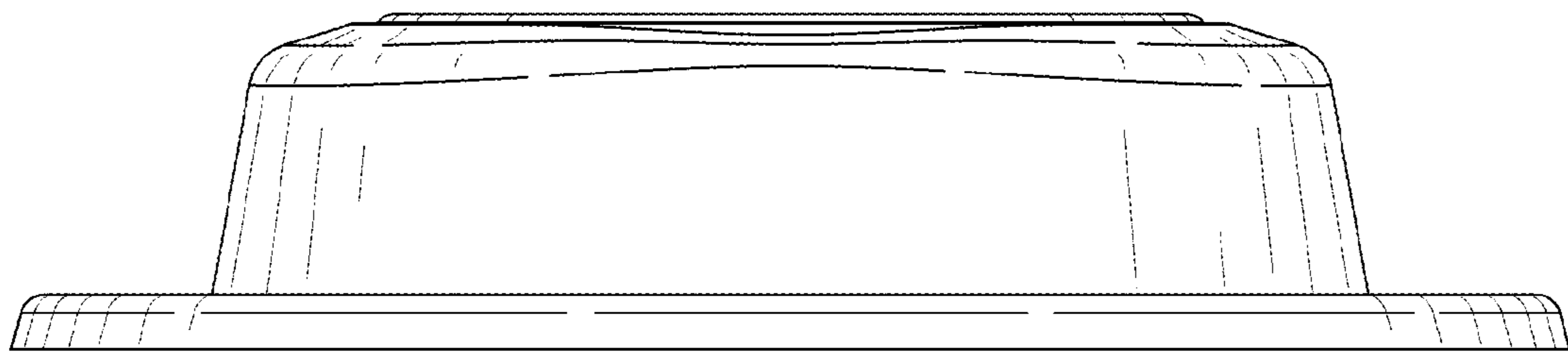


FIG. 38

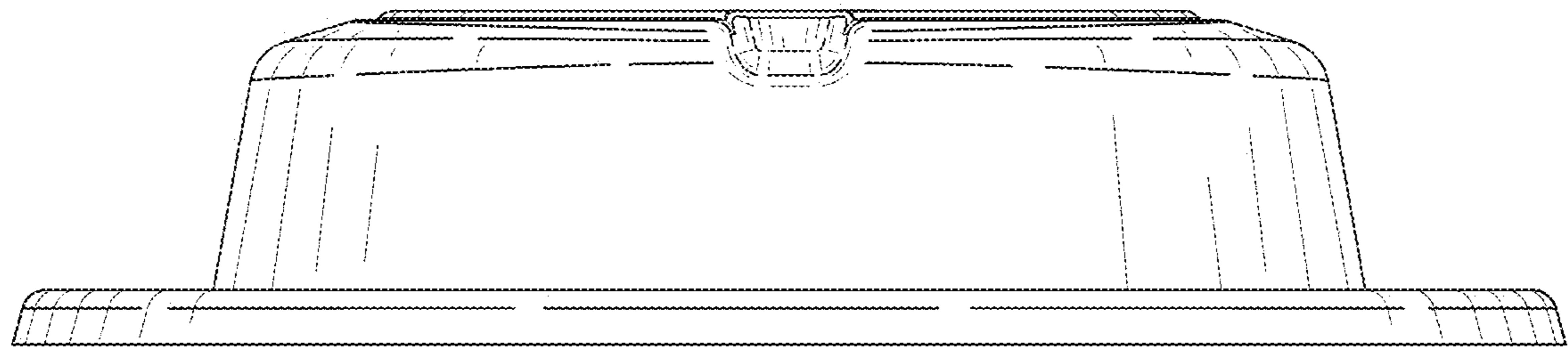


FIG. 39

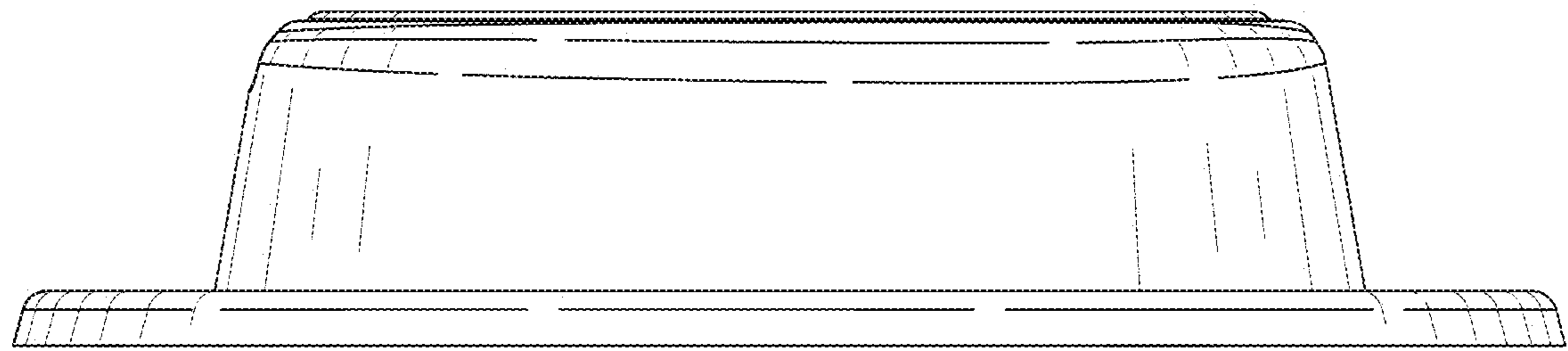


FIG. 40

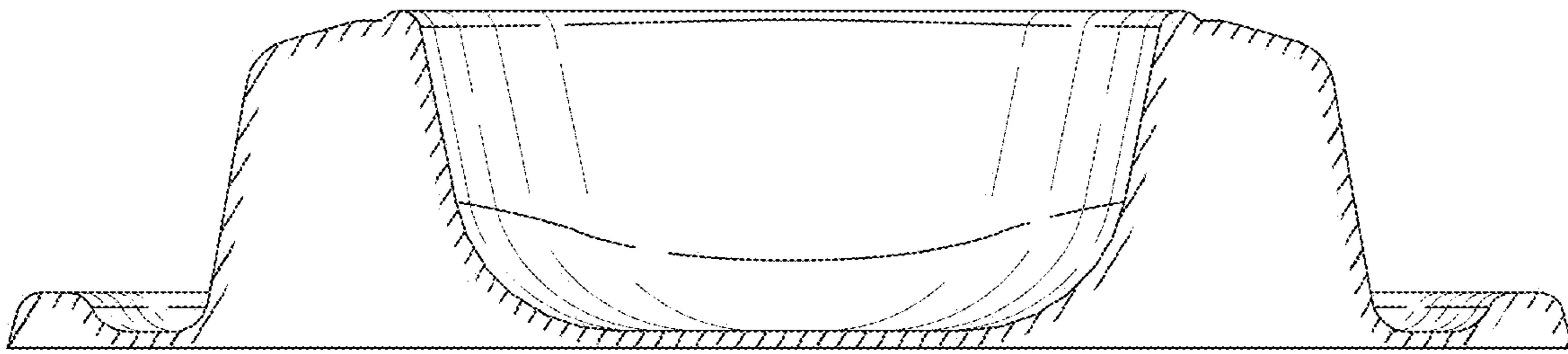


FIG. 41

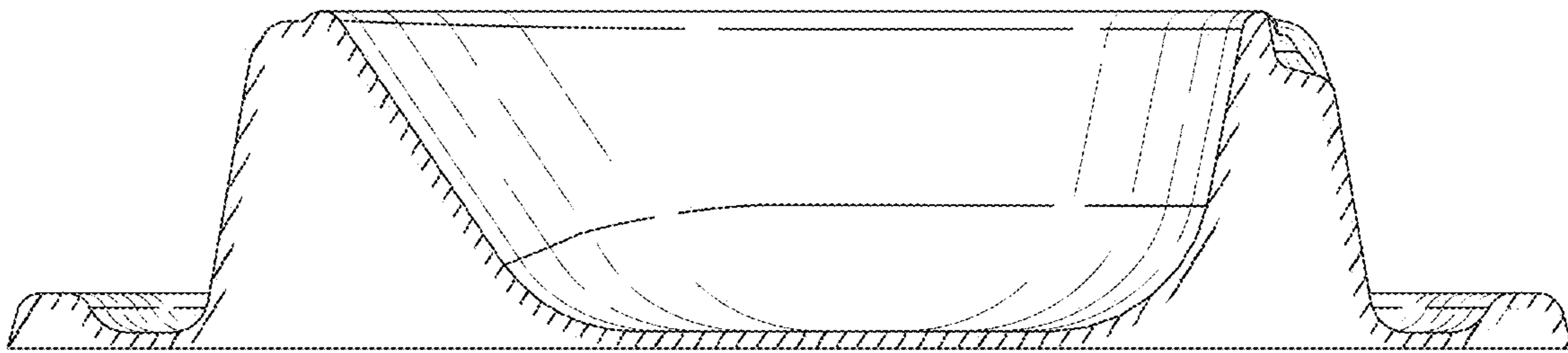


FIG. 42

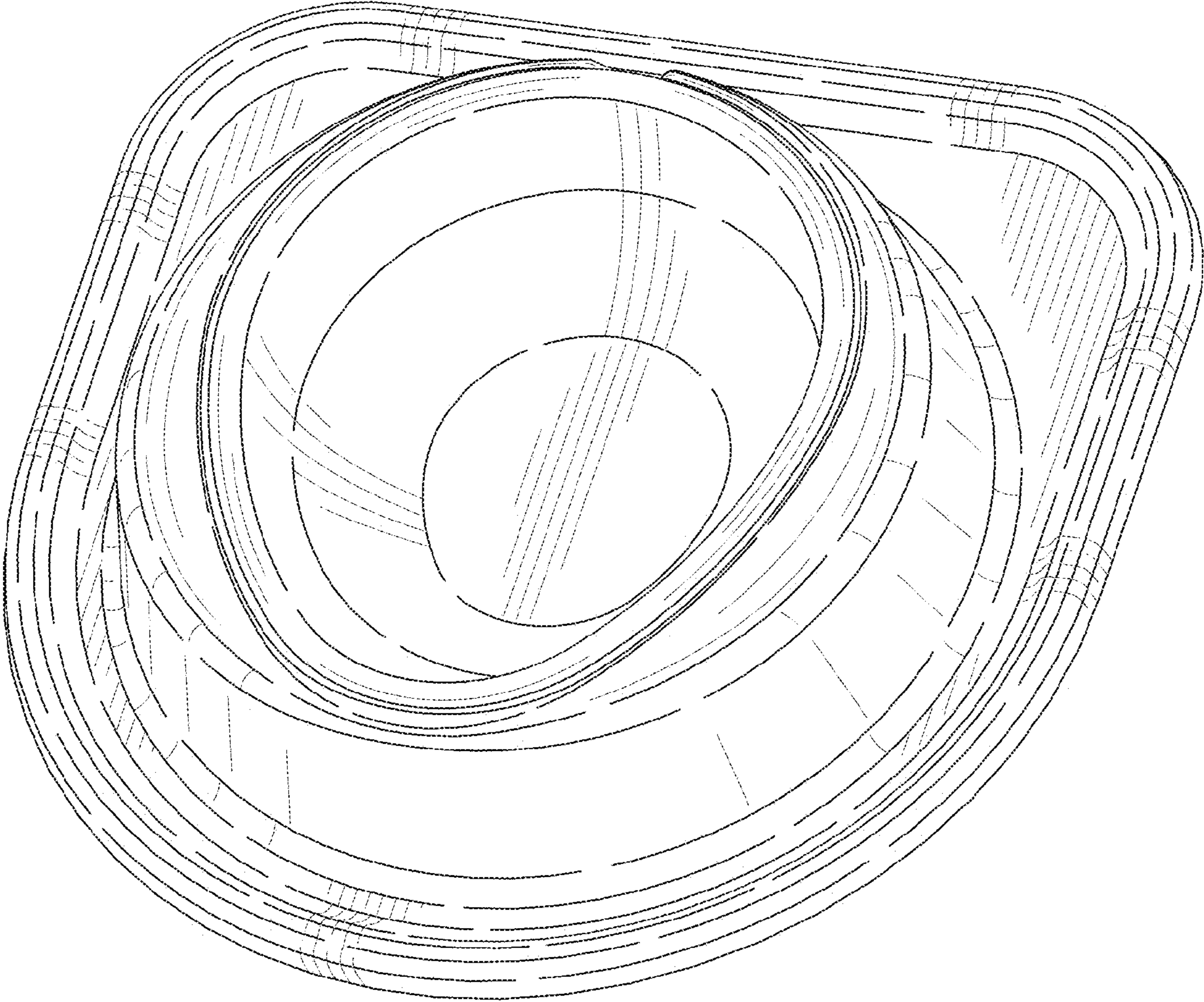


FIG. 43

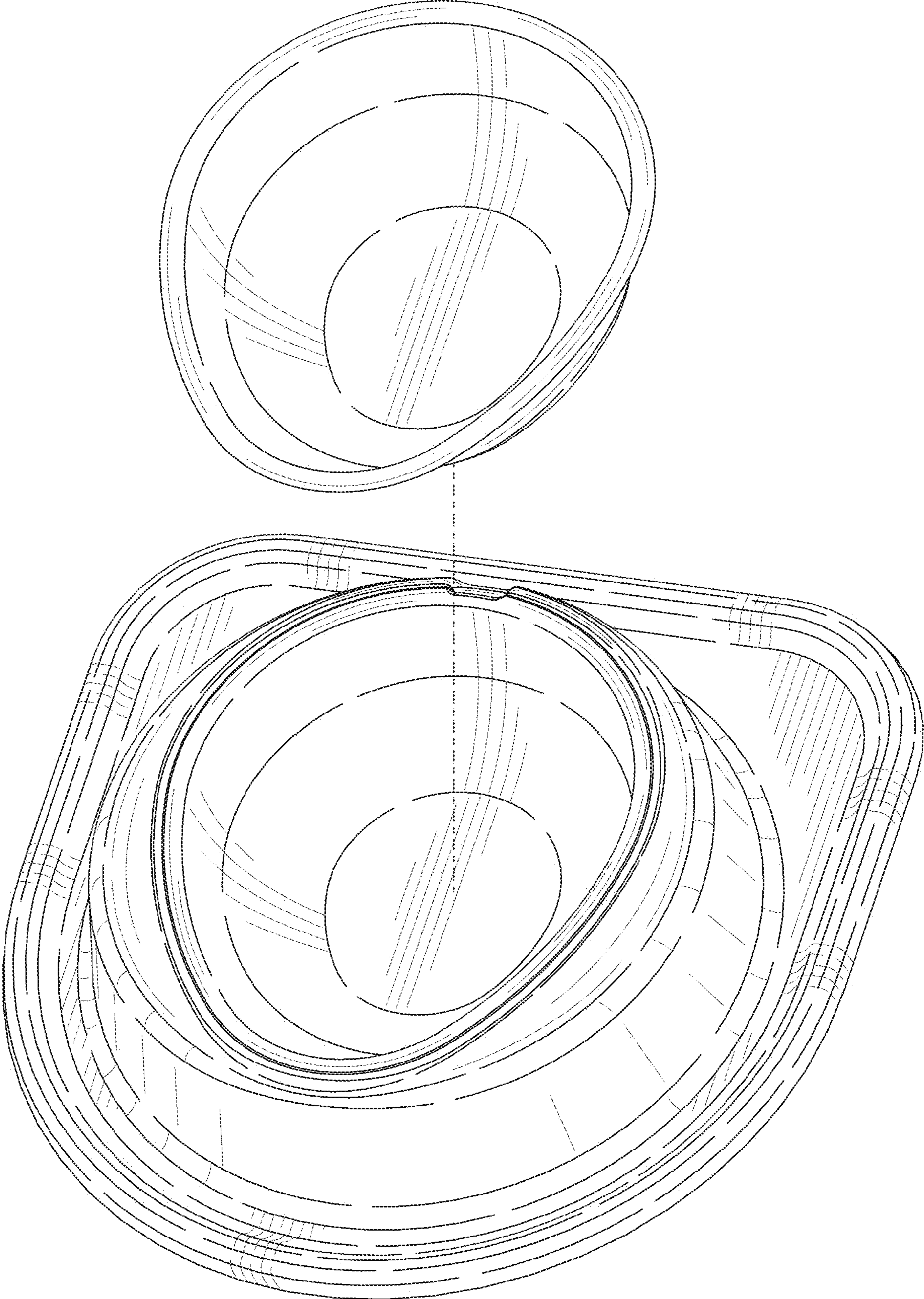


FIG. 44

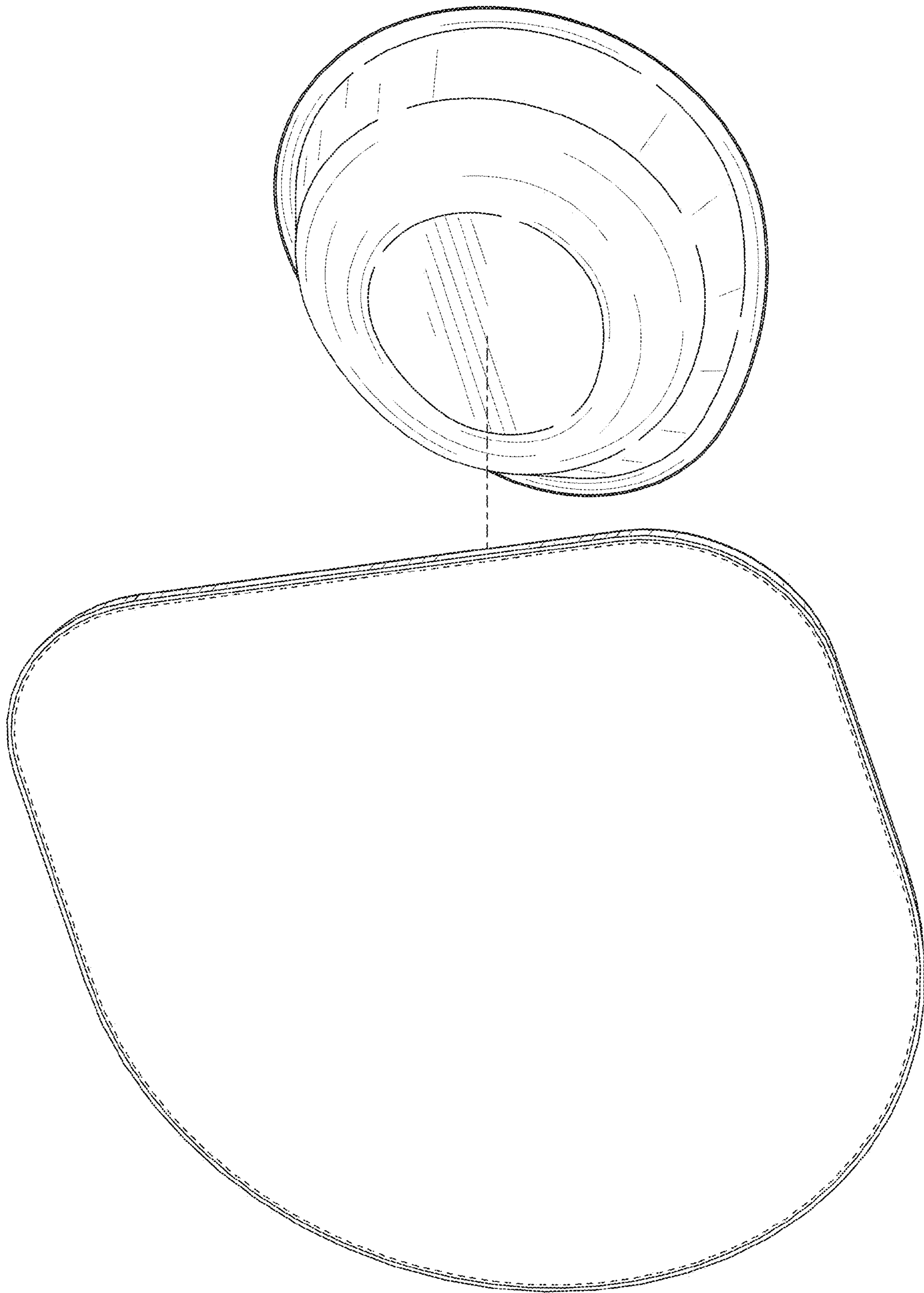


FIG. 45

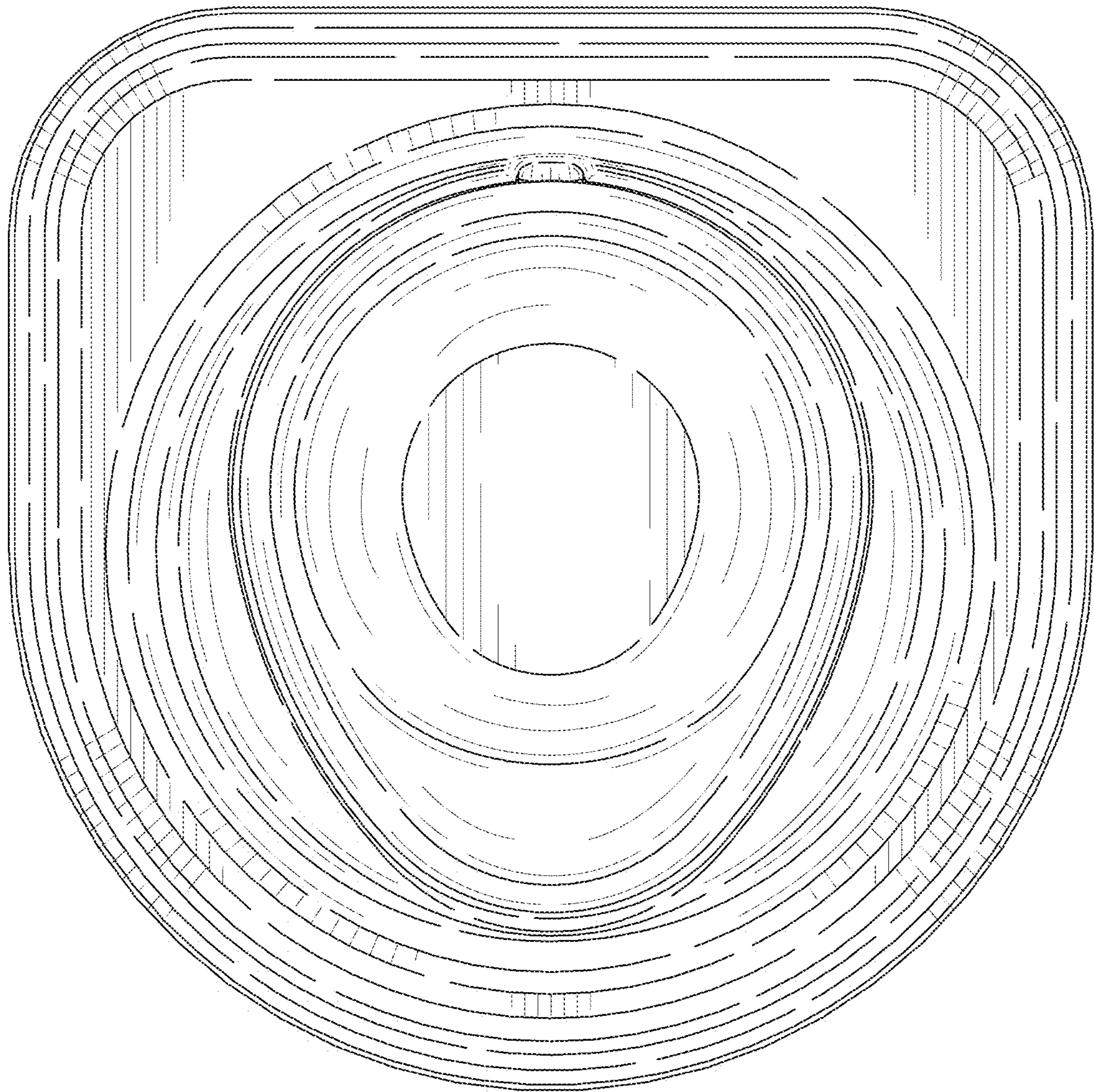


FIG. 46

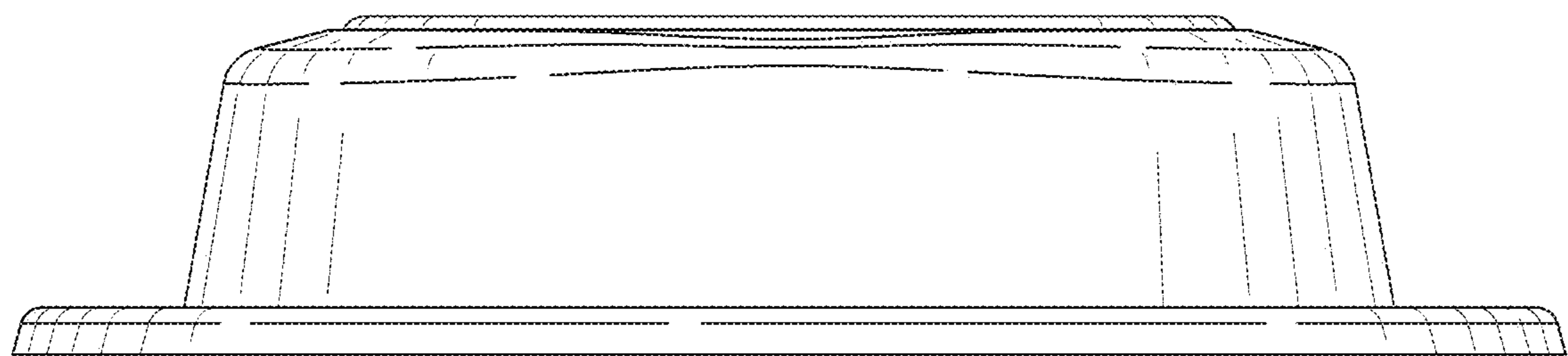


FIG. 47

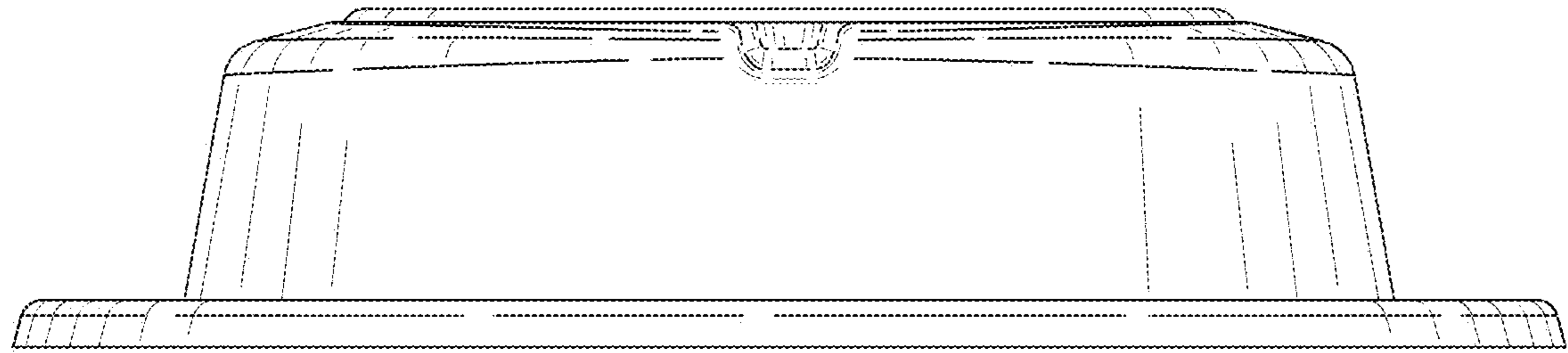


FIG. 48

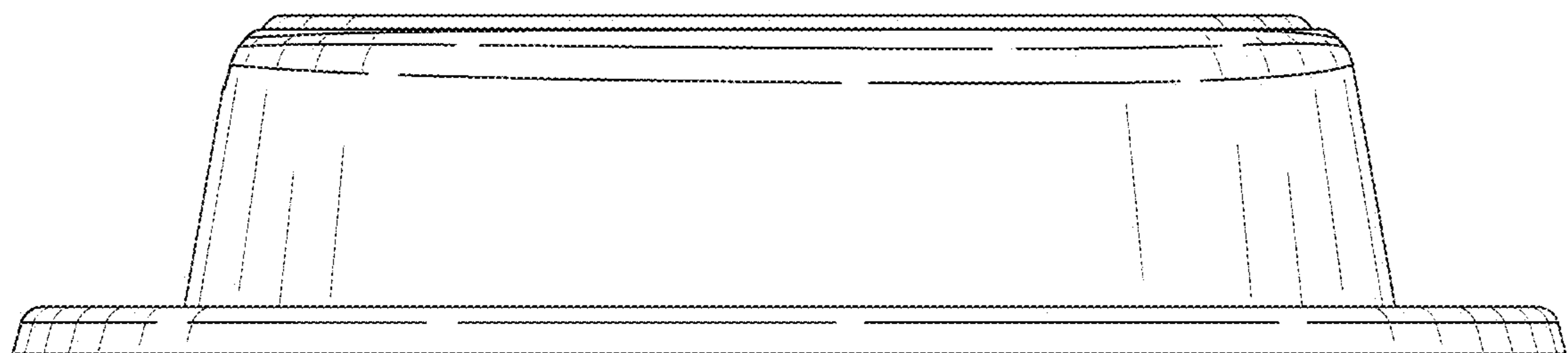


FIG. 49

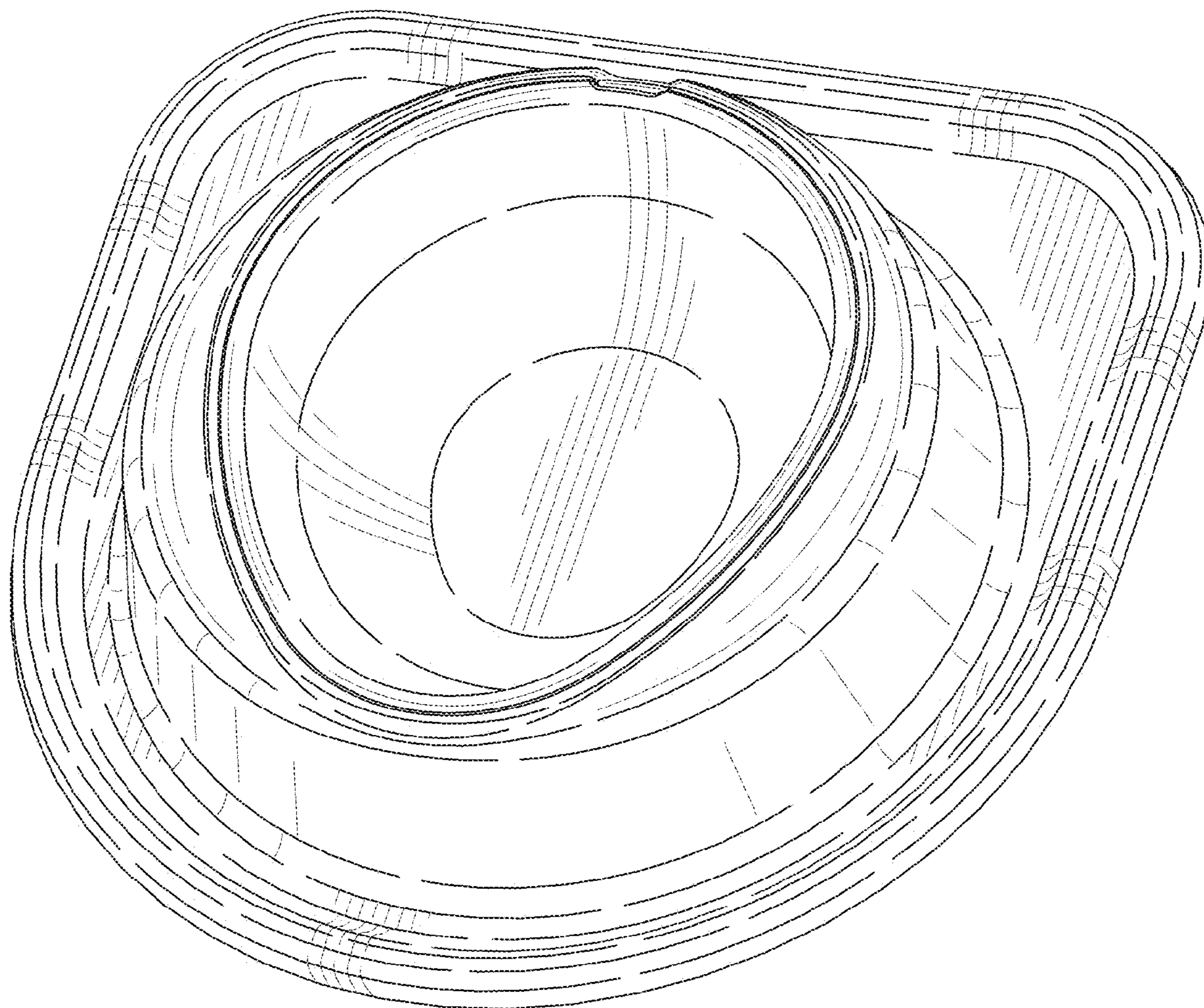


FIG. 50

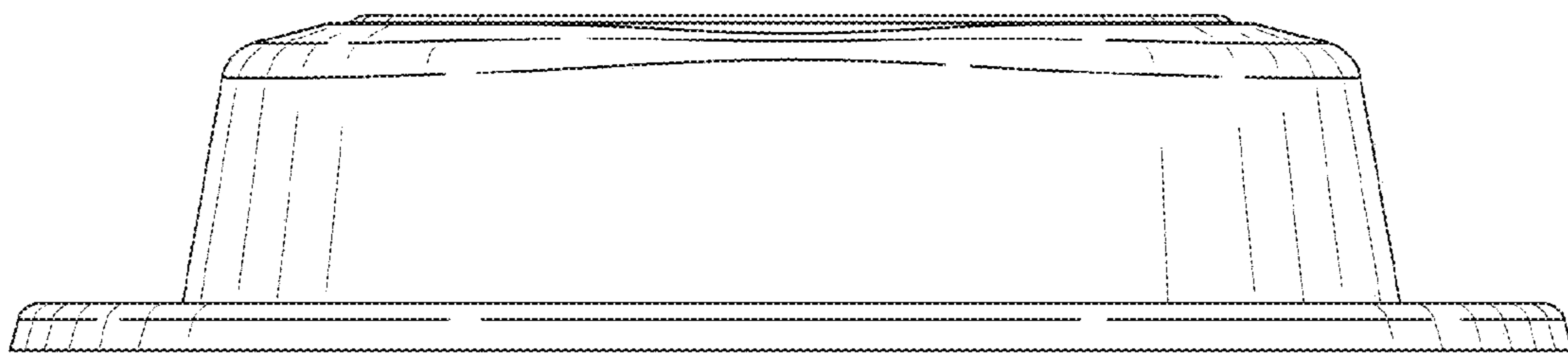
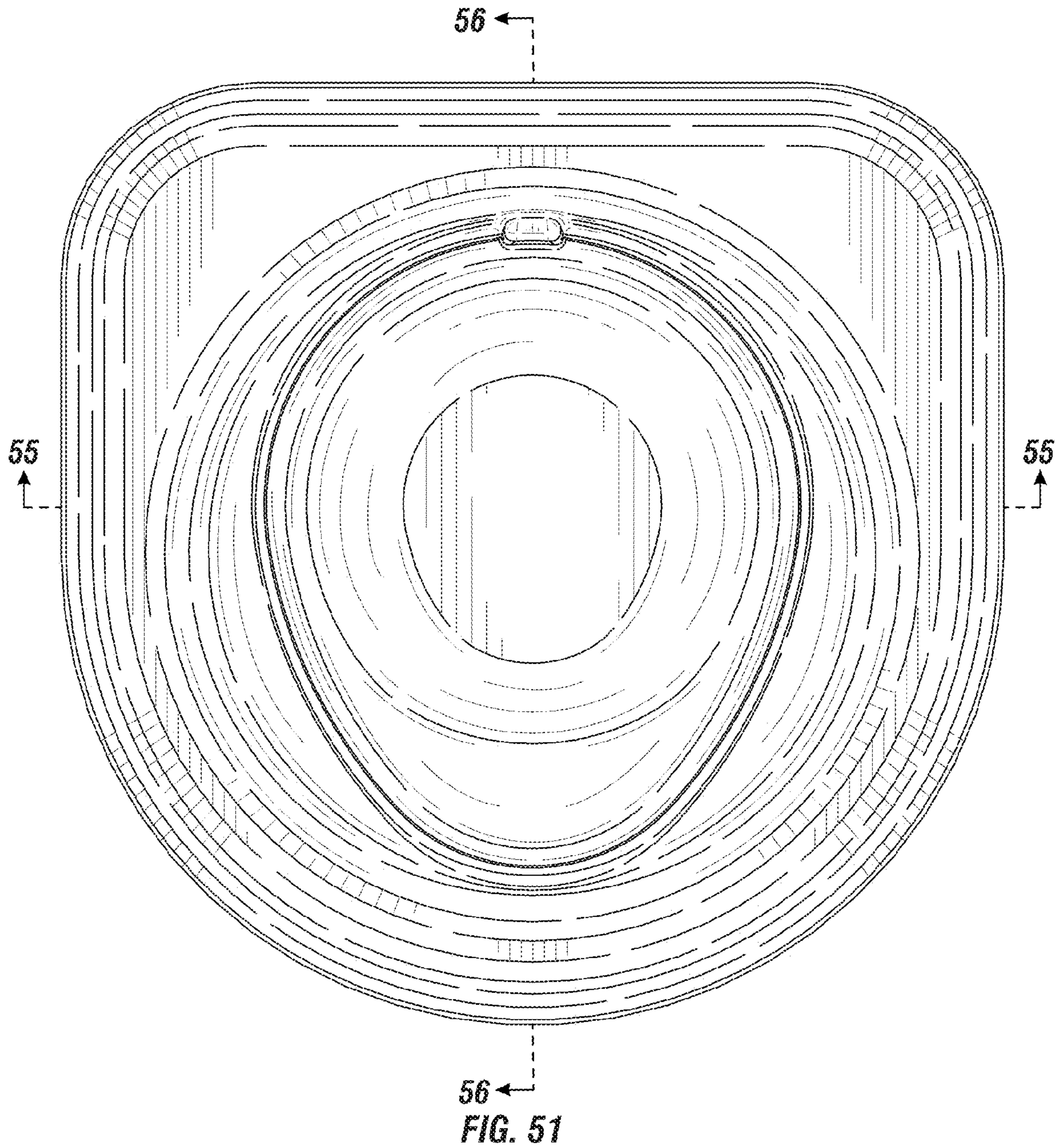


FIG. 52

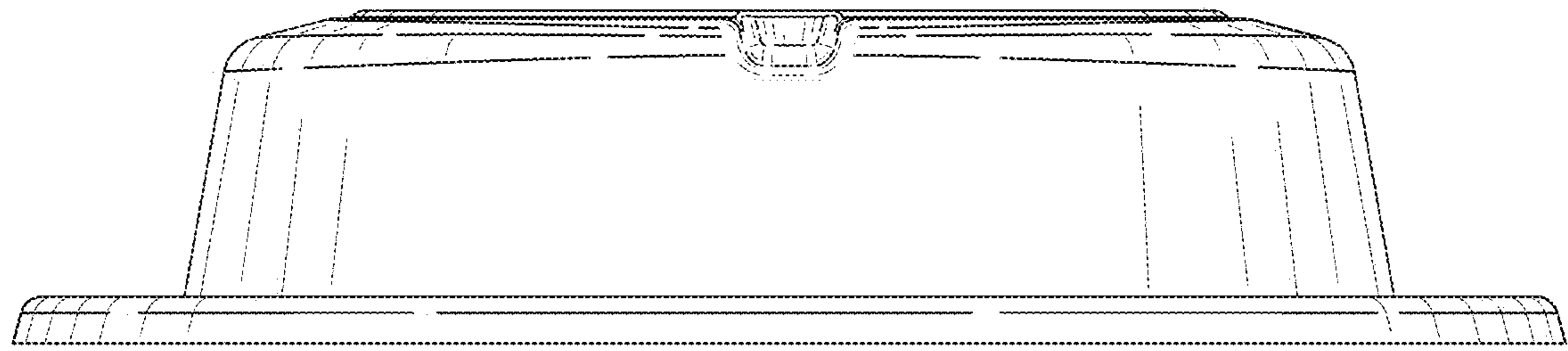


FIG. 53

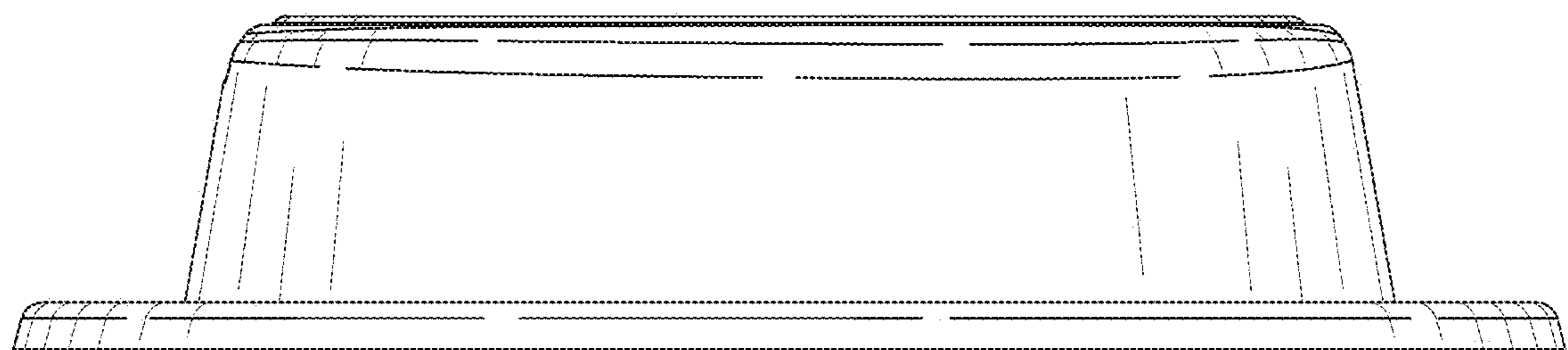


FIG. 54

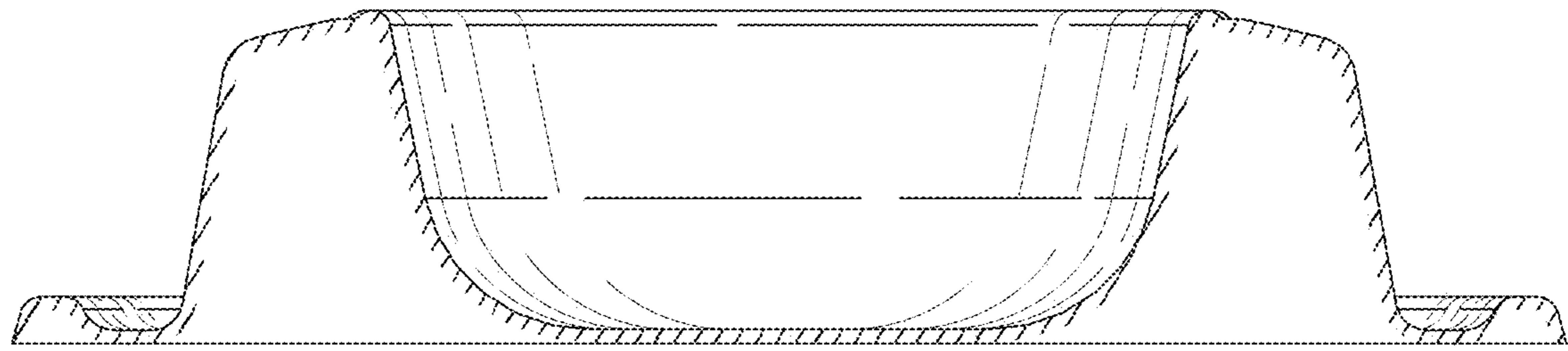


FIG. 55

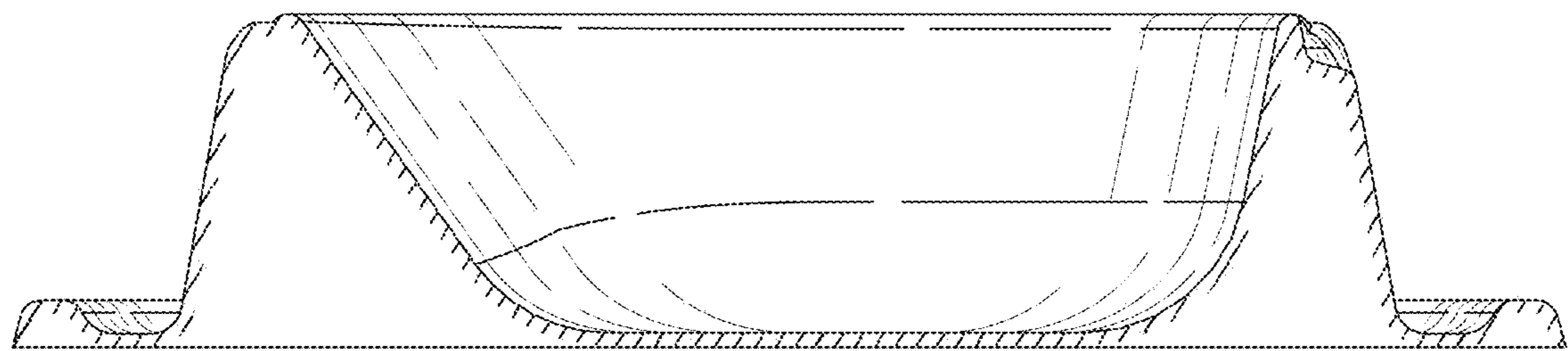


FIG. 56

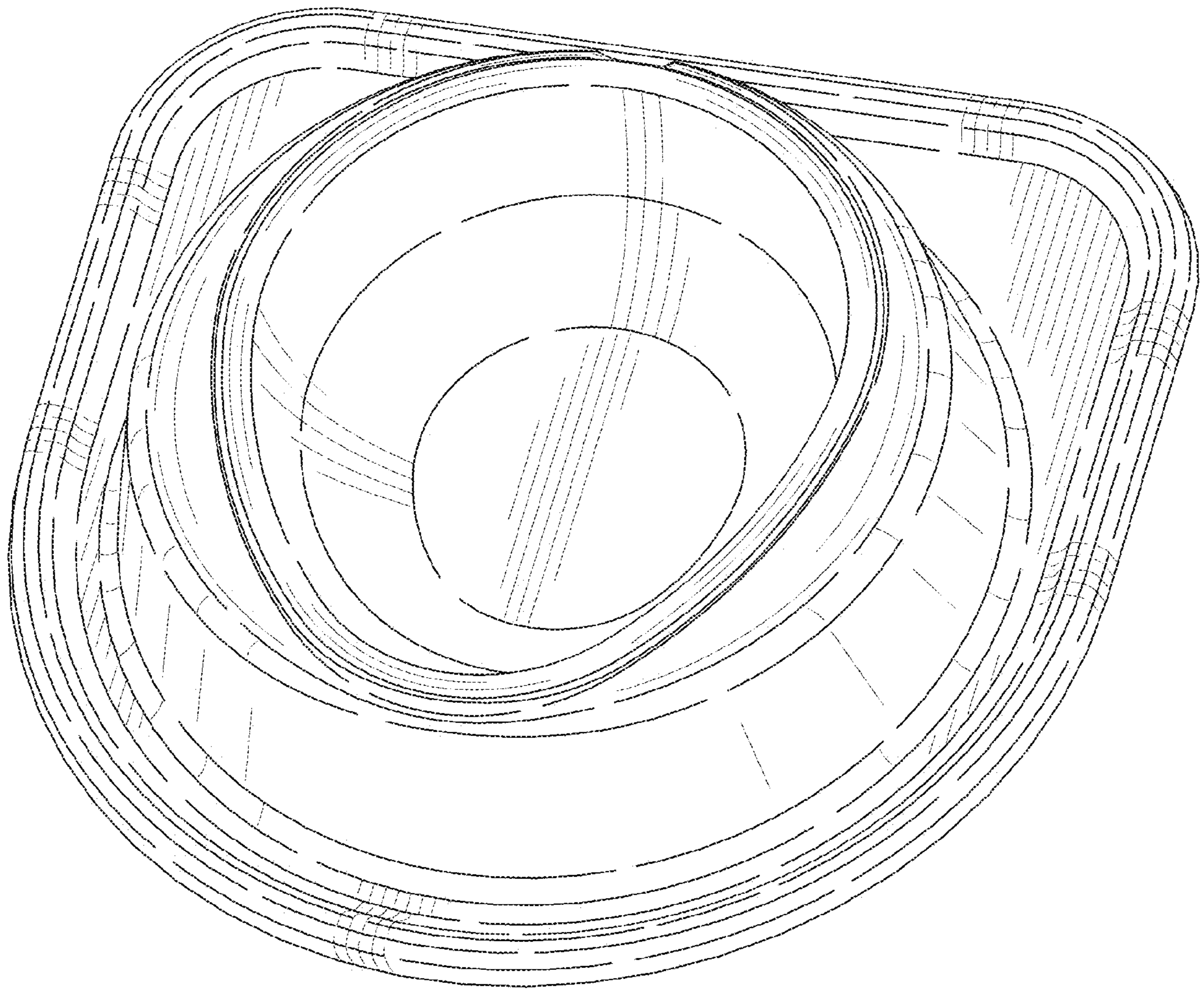


FIG. 57

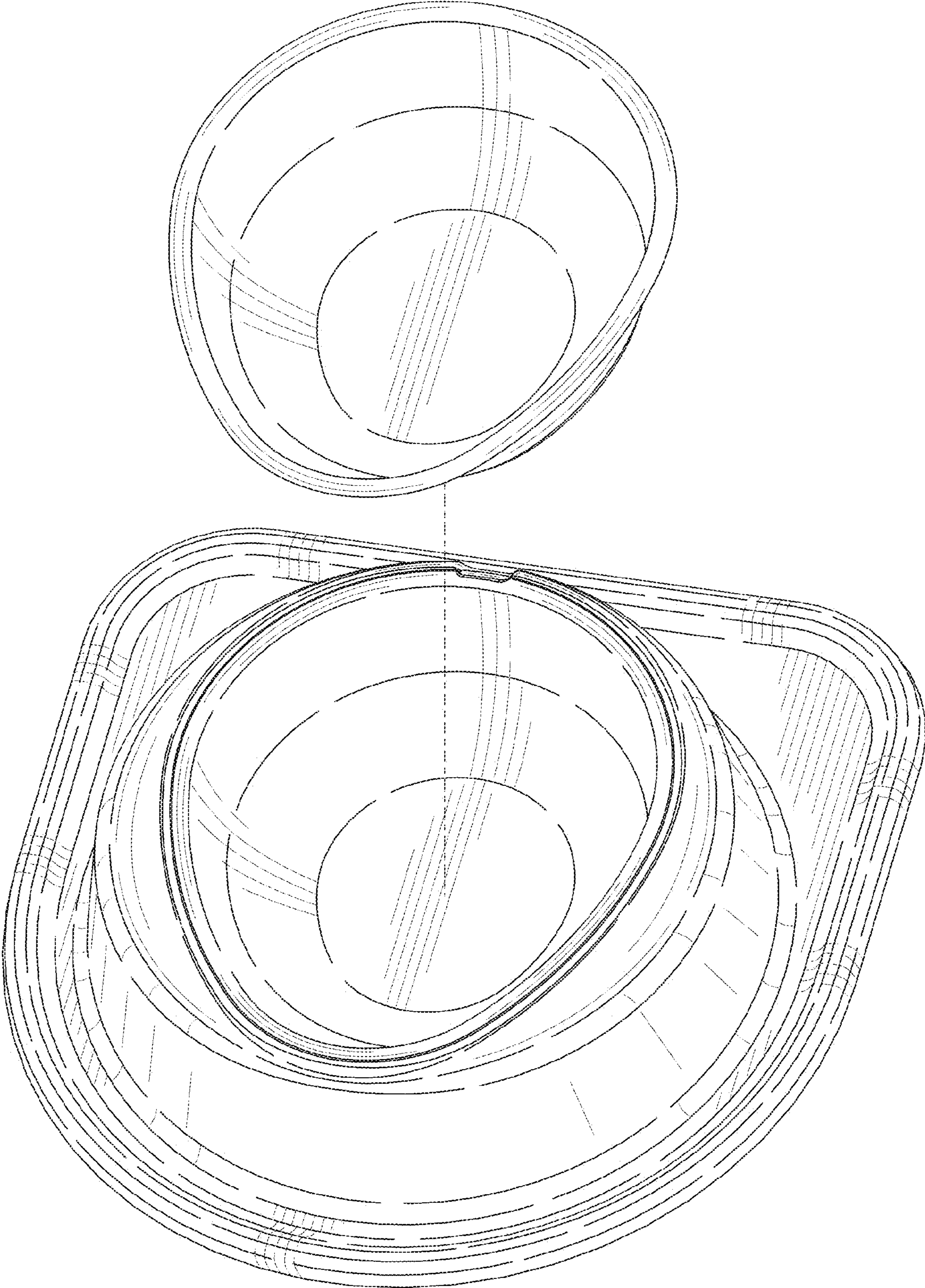


FIG. 58

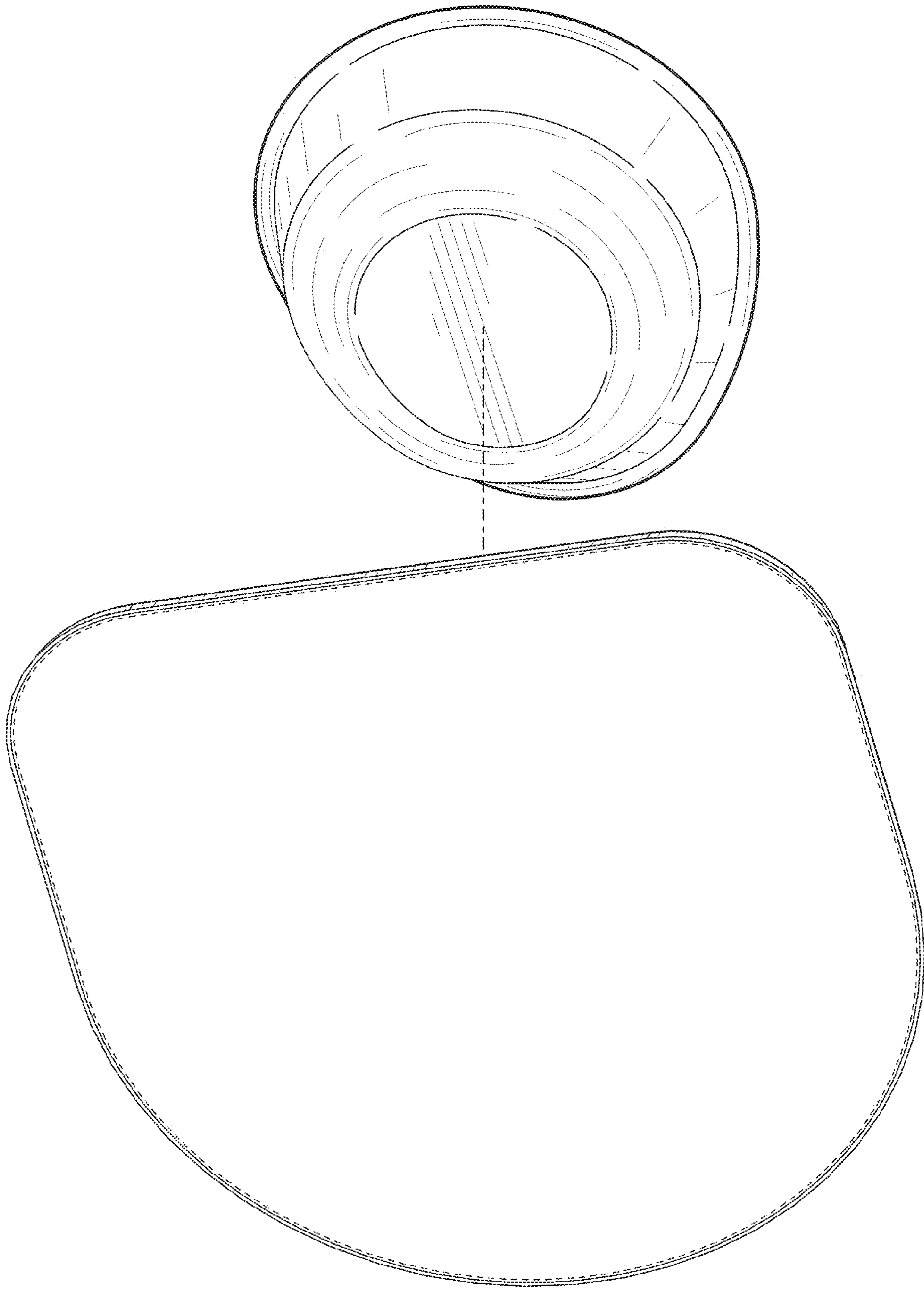


FIG. 59

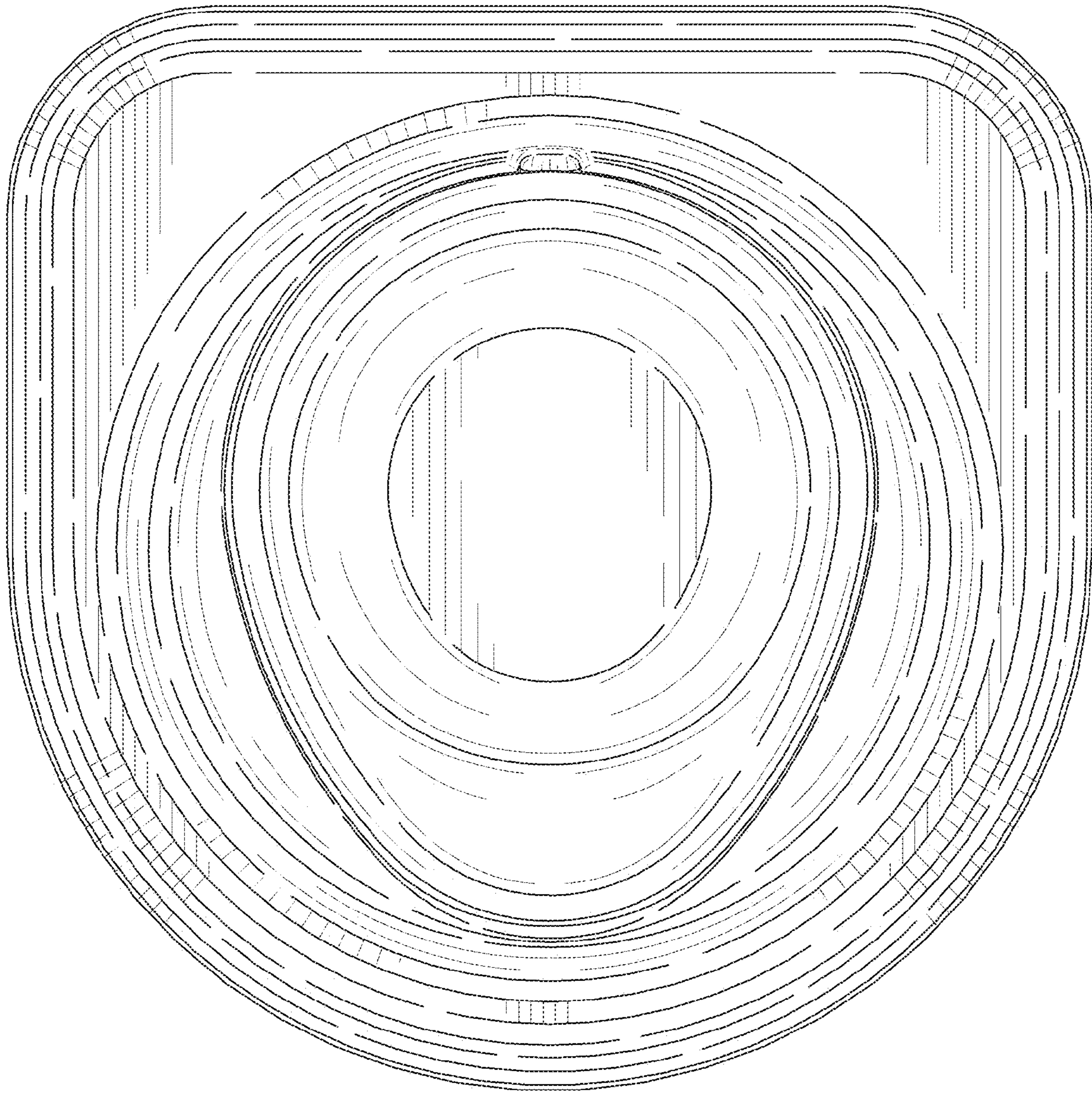


FIG. 60

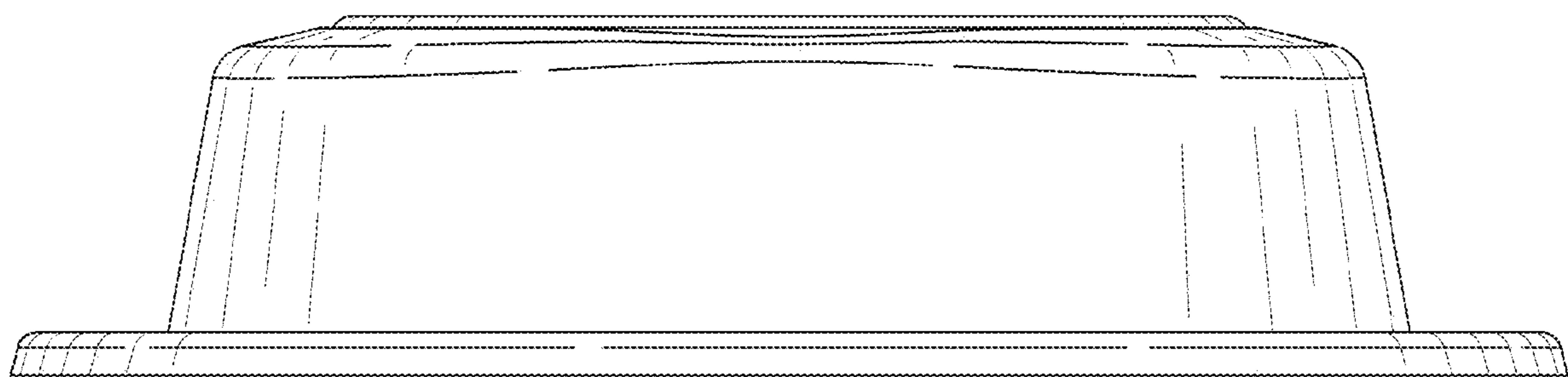


FIG. 61

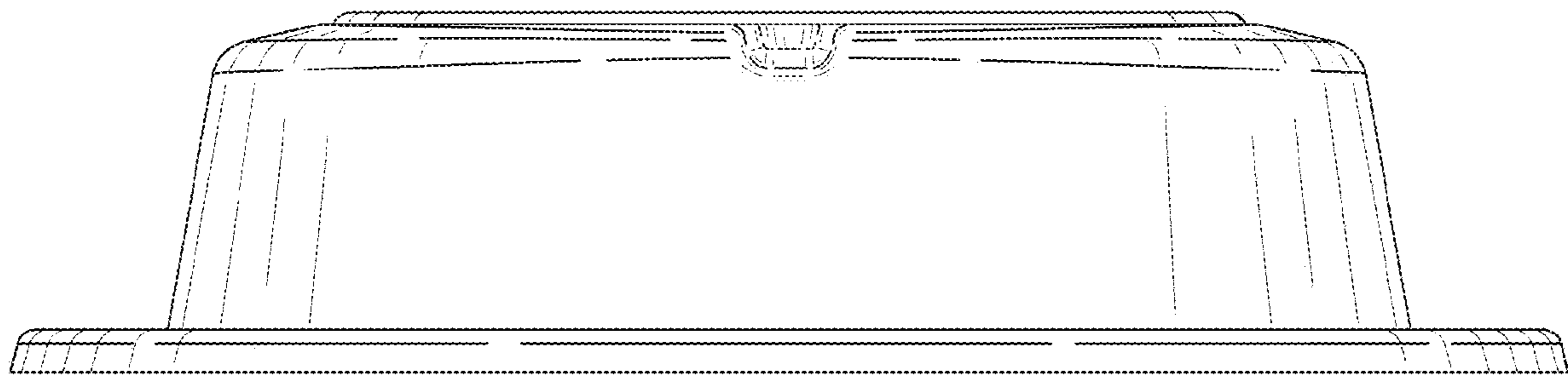


FIG. 62

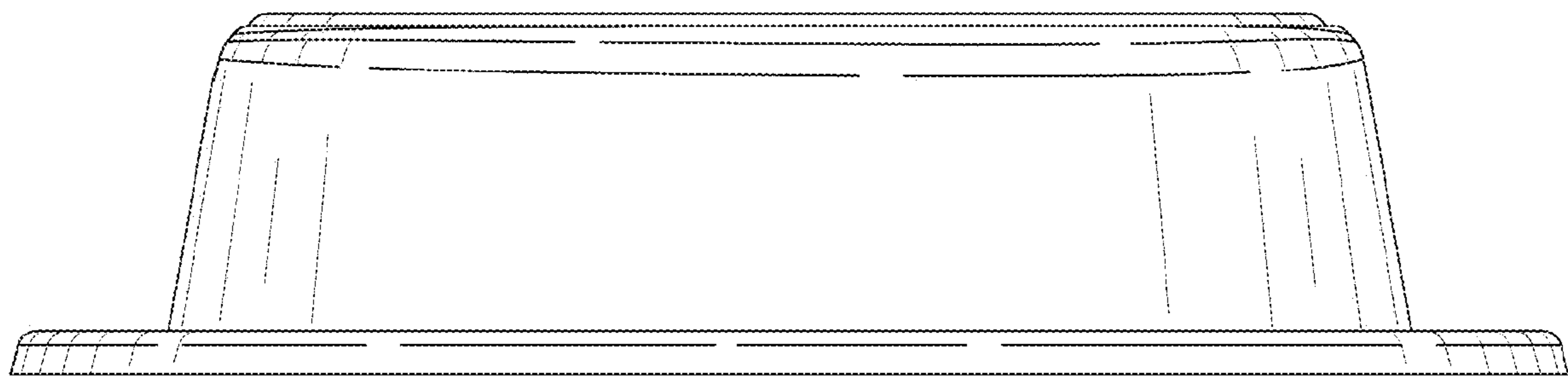


FIG. 63

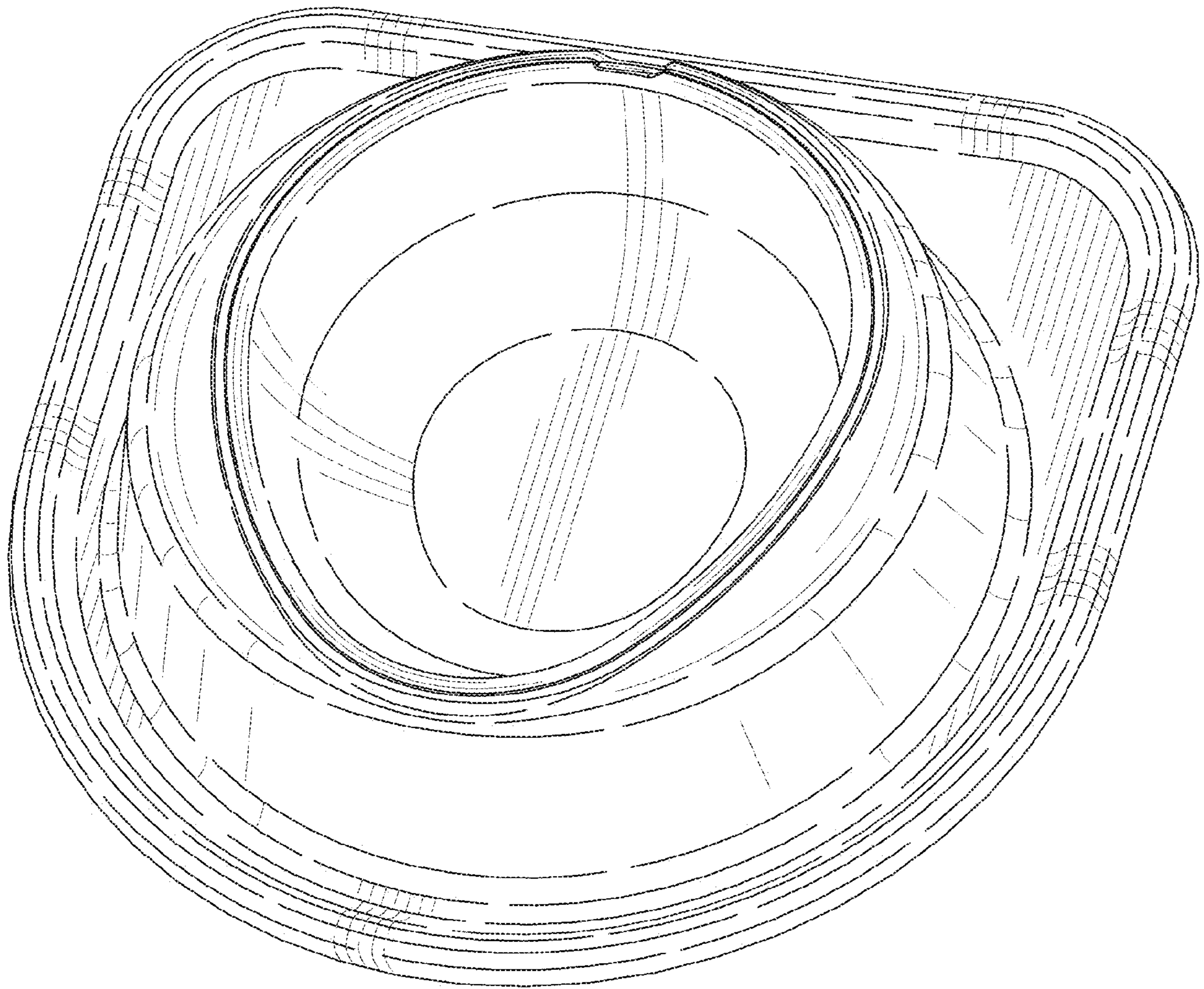
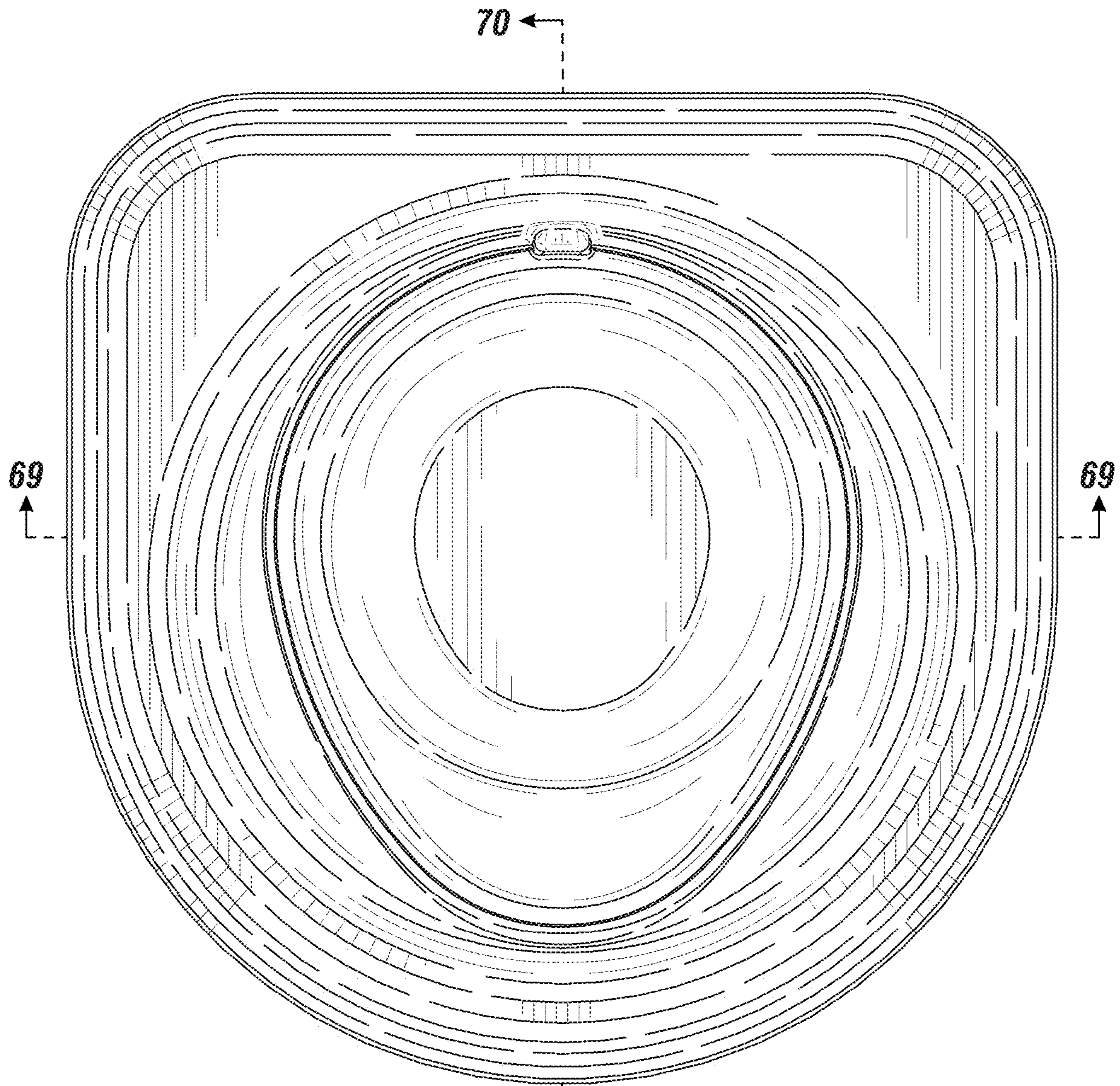


FIG. 64



70
70
FIG. 65

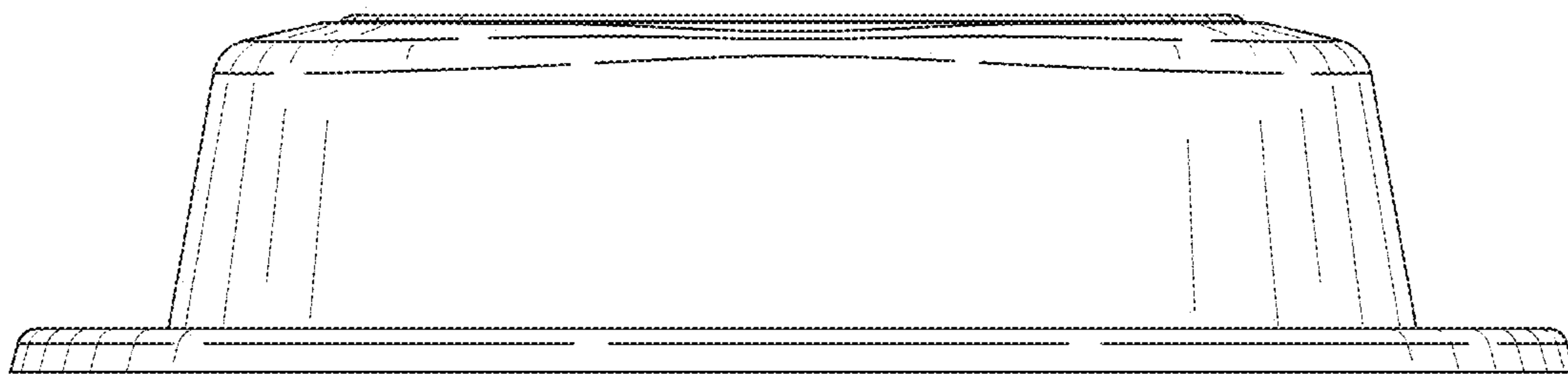


FIG. 66

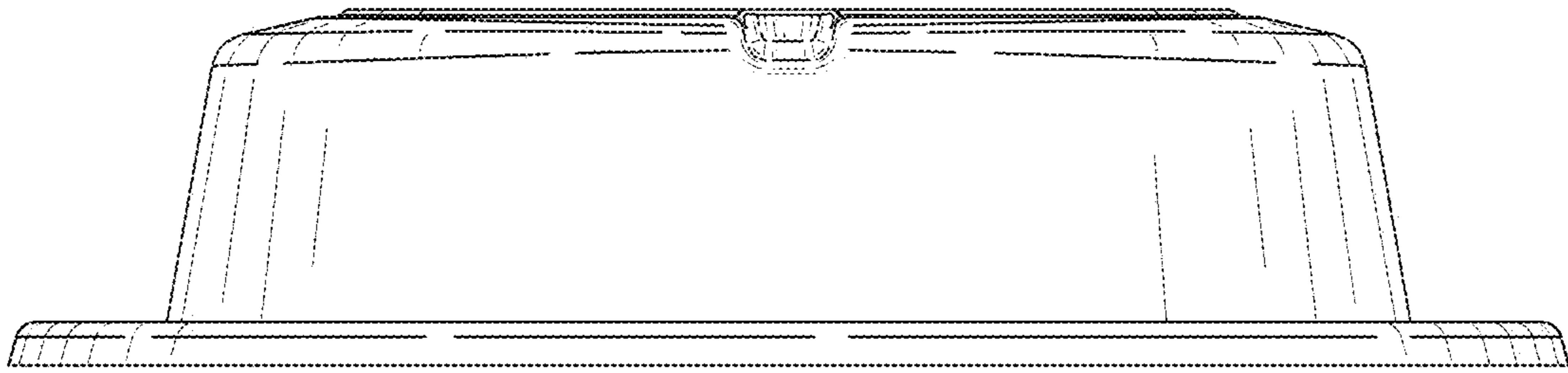


FIG. 67

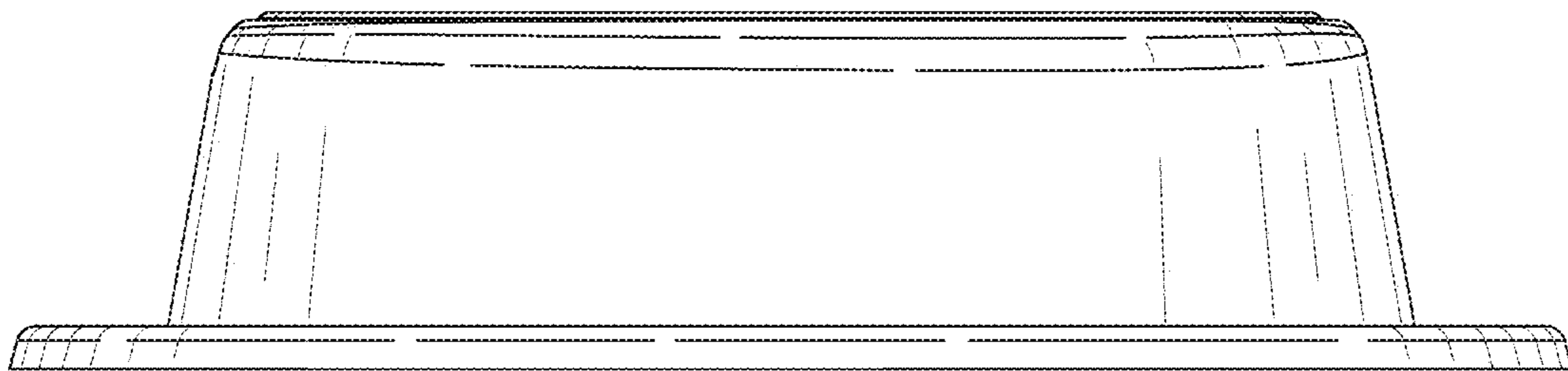


FIG. 68

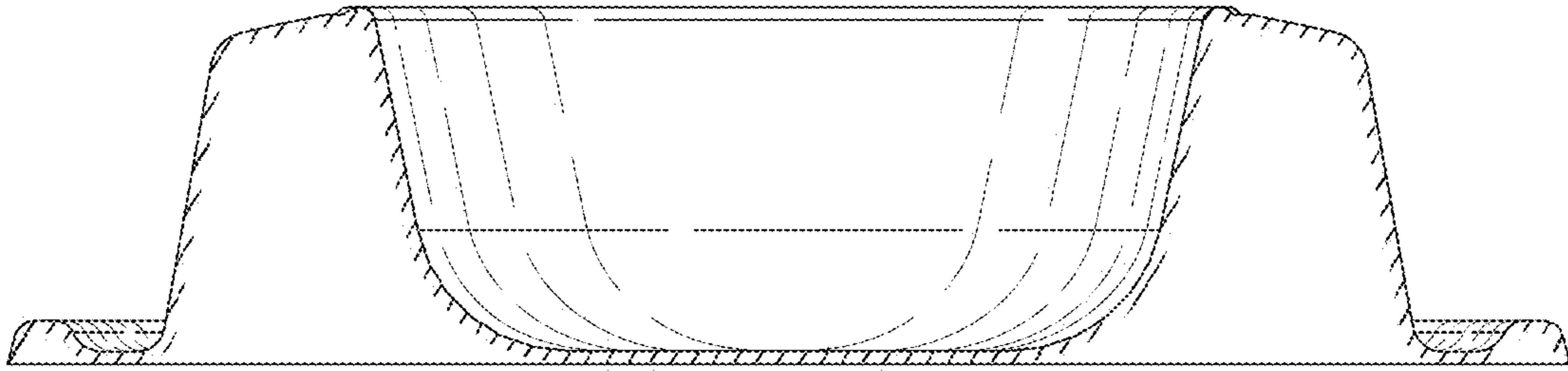


FIG. 69

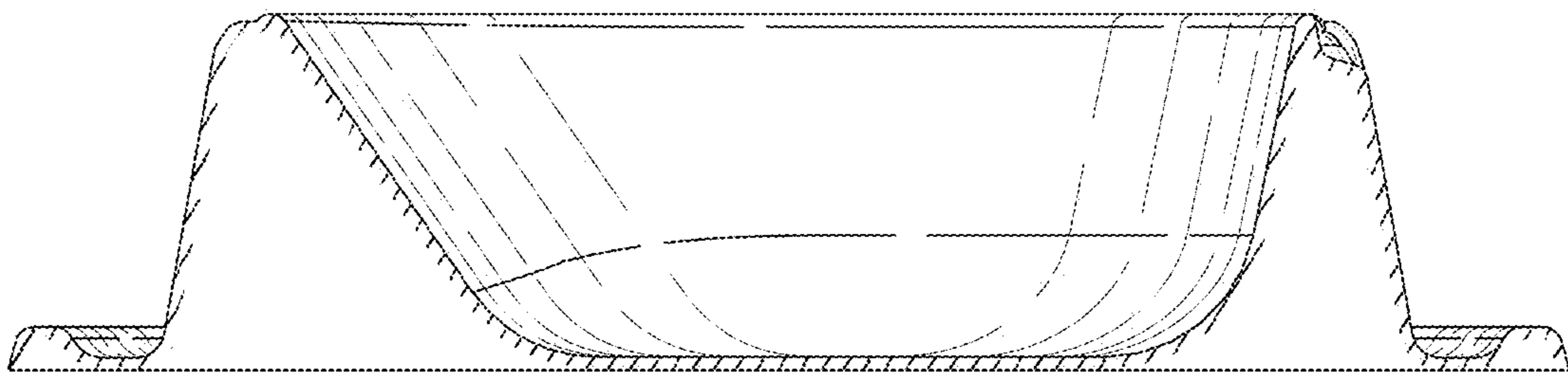


FIG. 70