



US00D901094S

(12) **United States Design Patent** (10) **Patent No.:** **US D901,094 S**
White (45) **Date of Patent:** **** Nov. 3, 2020**

(54) **SCENT TRAINING DOG BOWL**
(71) Applicant: **Nicholas White**, Catlett, VA (US)
(72) Inventor: **Nicholas White**, Catlett, VA (US)
(**) Term: **15 Years**

(21) Appl. No.: **29/660,133**

(22) Filed: **Aug. 17, 2018**

(51) **LOC (12) Cl.** **30-03**

(52) **U.S. Cl.**
USPC **D30/129**

(58) **Field of Classification Search**
USPC D30/121, 122, 129-133, 199
CPC A01K 5/00
See application file for complete search history.

(56) **References Cited**

U.S. PATENT DOCUMENTS

2,561,594 A	7/1951	Harry	
D245,104 S	7/1977	Gross	
4,699,089 A	10/1987	Teschke	
D296,485 S *	6/1988	Peterson	D30/130
4,949,678 A	8/1990	Demko	
5,113,798 A *	5/1992	Rera	A01K 5/0142 119/51.5
D352,139 S *	11/1994	King	D30/130
5,752,464 A	5/1998	King et al.	

(Continued)

FOREIGN PATENT DOCUMENTS

KR 20130047141 A 5/2013

OTHER PUBLICATIONS

“Focused K9 Odor Bowl: The Easiest and Fastest Way to Imprint Your Dog on Odor” (via YouTube), available Sep. 15, 2018, [online], [site visited Feb. 28, 2020]. Retrieved from Internet, URL:<https://www.youtube.com/watch?v=SV-xbnJ7Go0> (Year: 2018).*

(Continued)

Primary Examiner — Michael C Stout
Assistant Examiner — Katrina N Gonzalez
(74) *Attorney, Agent, or Firm* — Hanrahan Law Firm P.A.; Benjamin M. Hanrahan

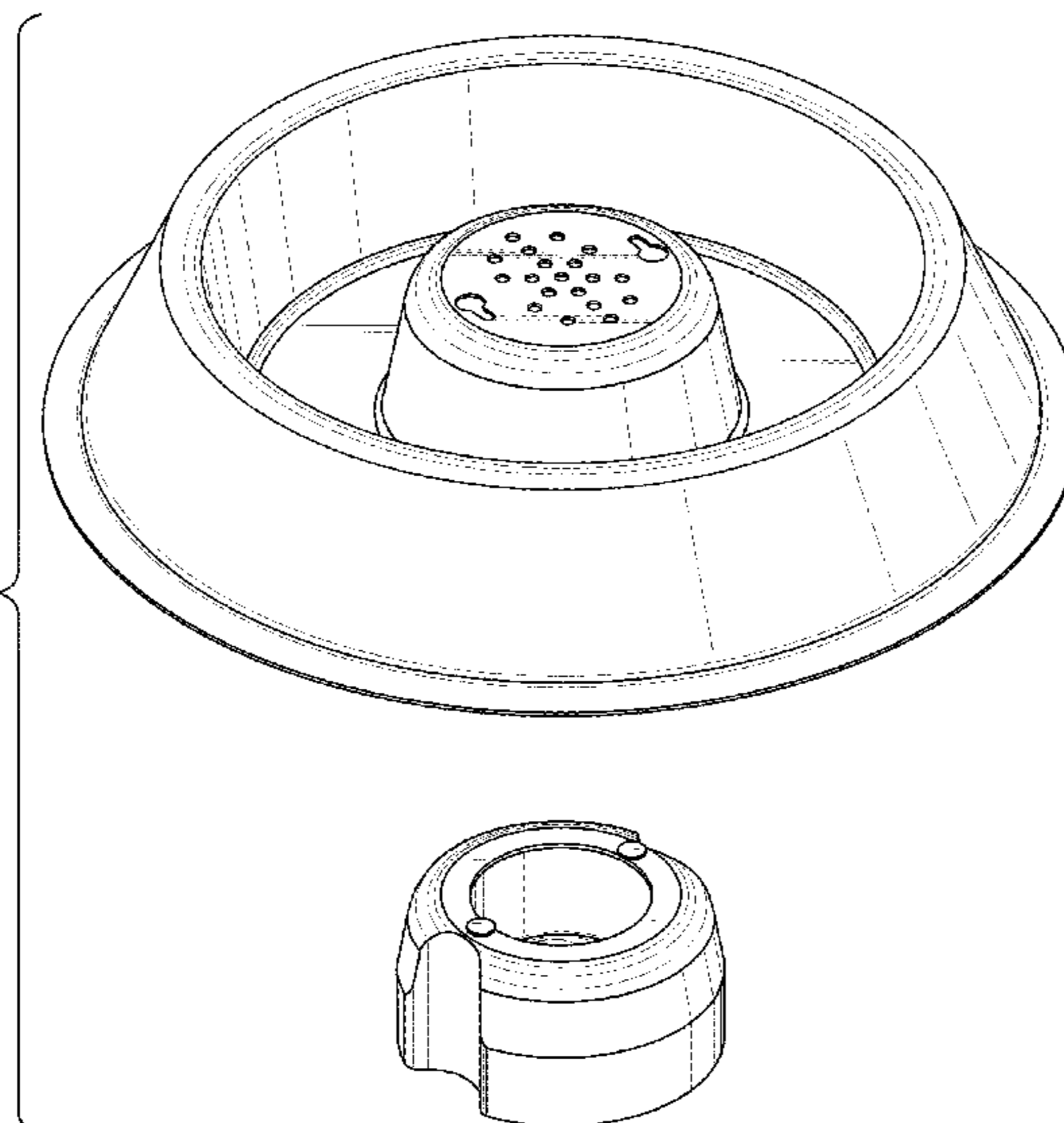
(57) **CLAIM**

The ornamental design for a scent training dog bowl, as shown and described.

DESCRIPTION

FIG. 1 is a top perspective view of a scent training dog bowl with a scent pod attached, showing my new design.
FIG. 2 is a bottom perspective view thereof.
FIG. 3 is a top view thereof.
FIG. 4 is a bottom view thereof.
FIG. 5 is a front view thereof.
FIG. 6 is a rear view thereof.
FIG. 7 is a left side view thereof.
FIG. 8 is a right side view thereof.
FIG. 9 is a top perspective view thereof, but shown with the scent pod removed for completeness of illustration.
FIG. 10 is a bottom perspective view thereof.
FIG. 11 is a top view thereof.
FIG. 12 is a bottom view thereof.
FIG. 13 is a top perspective view of the scent pod, shown removed from the bowl for completeness of illustration.
FIG. 14 is a bottom perspective view thereof.
FIG. 15 is a top view thereof.
FIG. 16 is a bottom view thereof.
FIG. 17 is a front view thereof.
FIG. 18 is a left side view thereof.
FIG. 19 is a right side view thereof.
FIG. 20 is a rear view thereof; and,
FIG. 21 is an exploded perspective view of the scent training dog bowl with scent pod.
The broken lines shown in FIGS. 13, 15 and 21 illustrate environmental structure that forms no part of the claimed design.

1 Claim, 13 Drawing Sheets



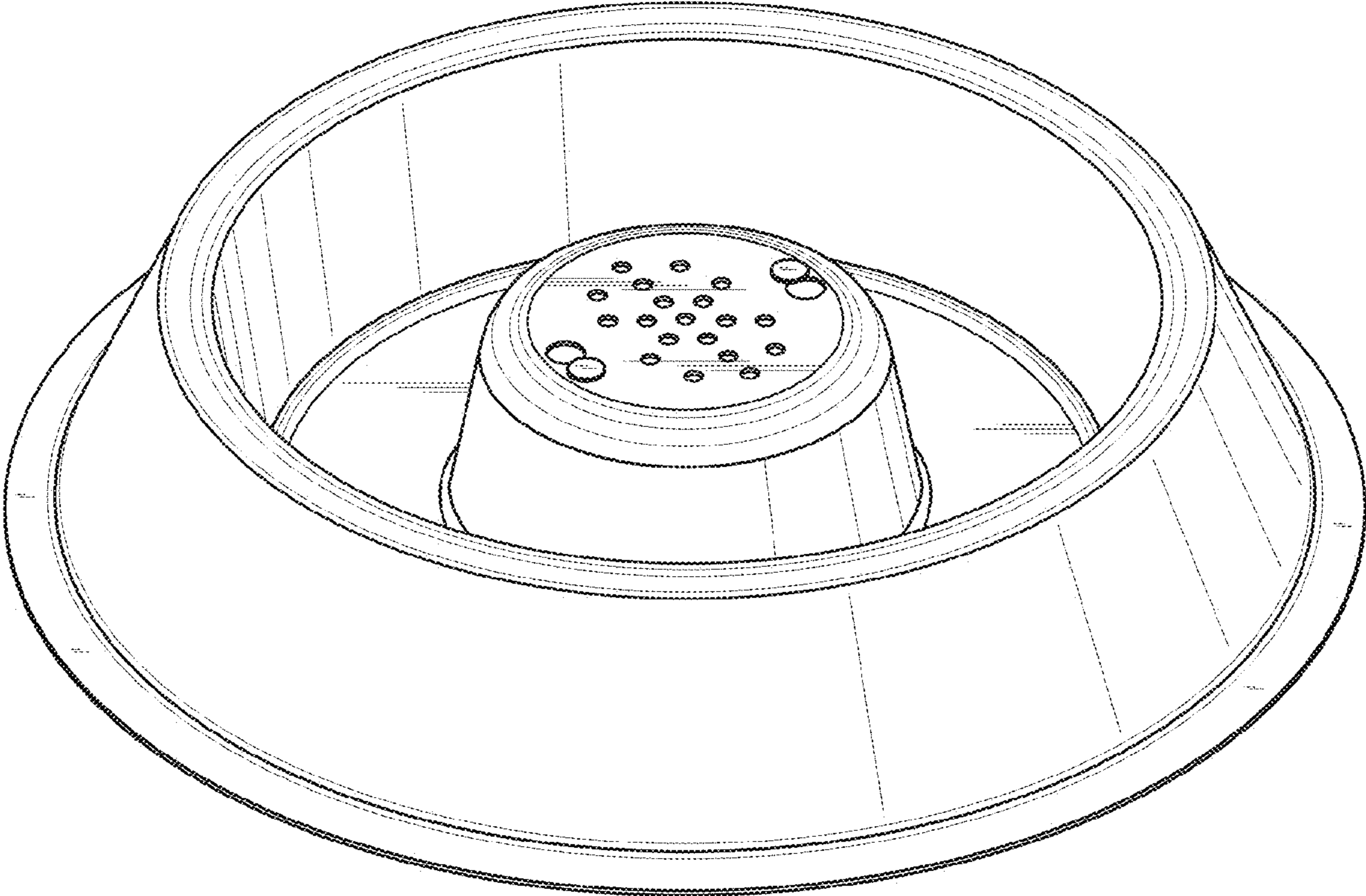


FIG. 1

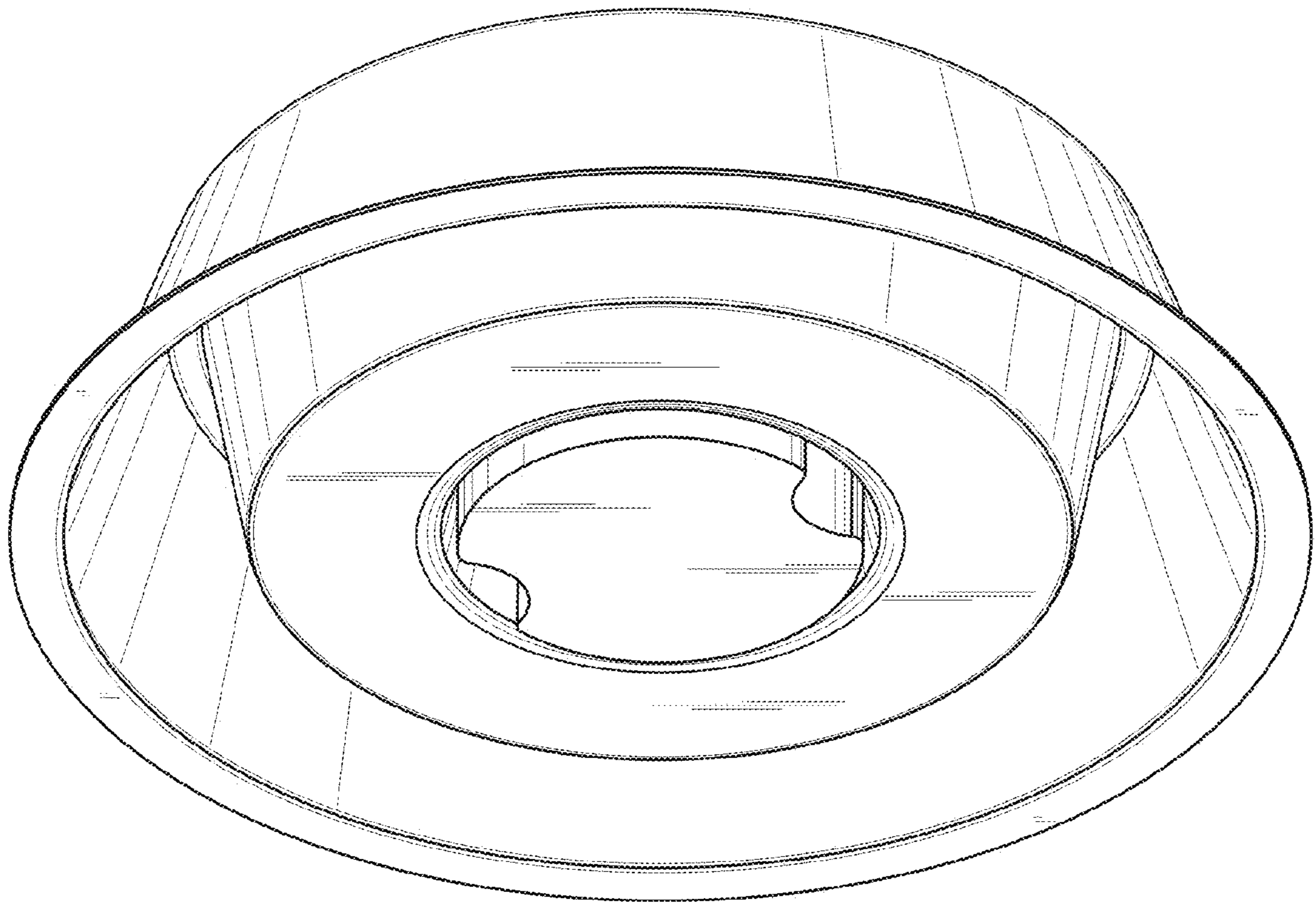


FIG. 2

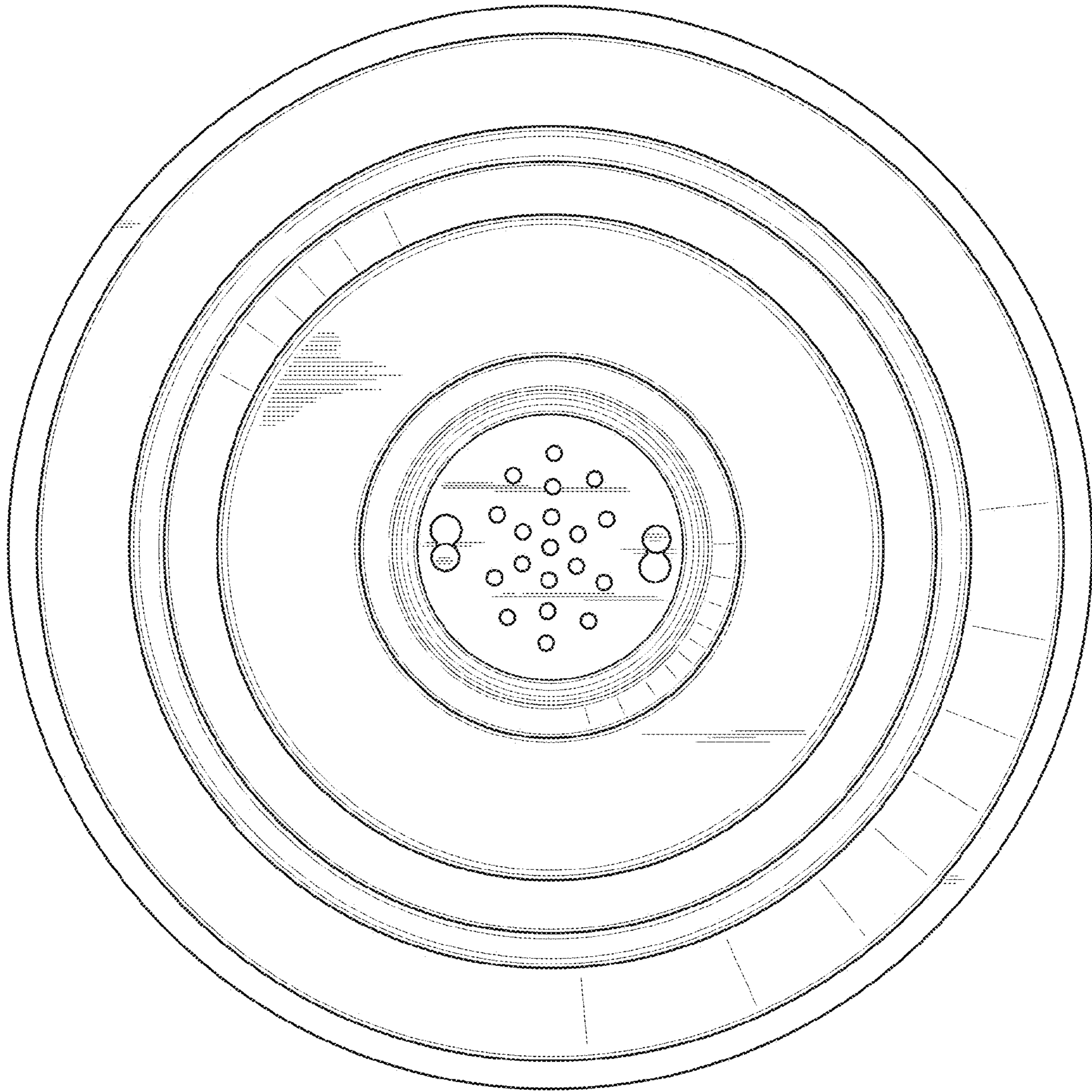


FIG. 3

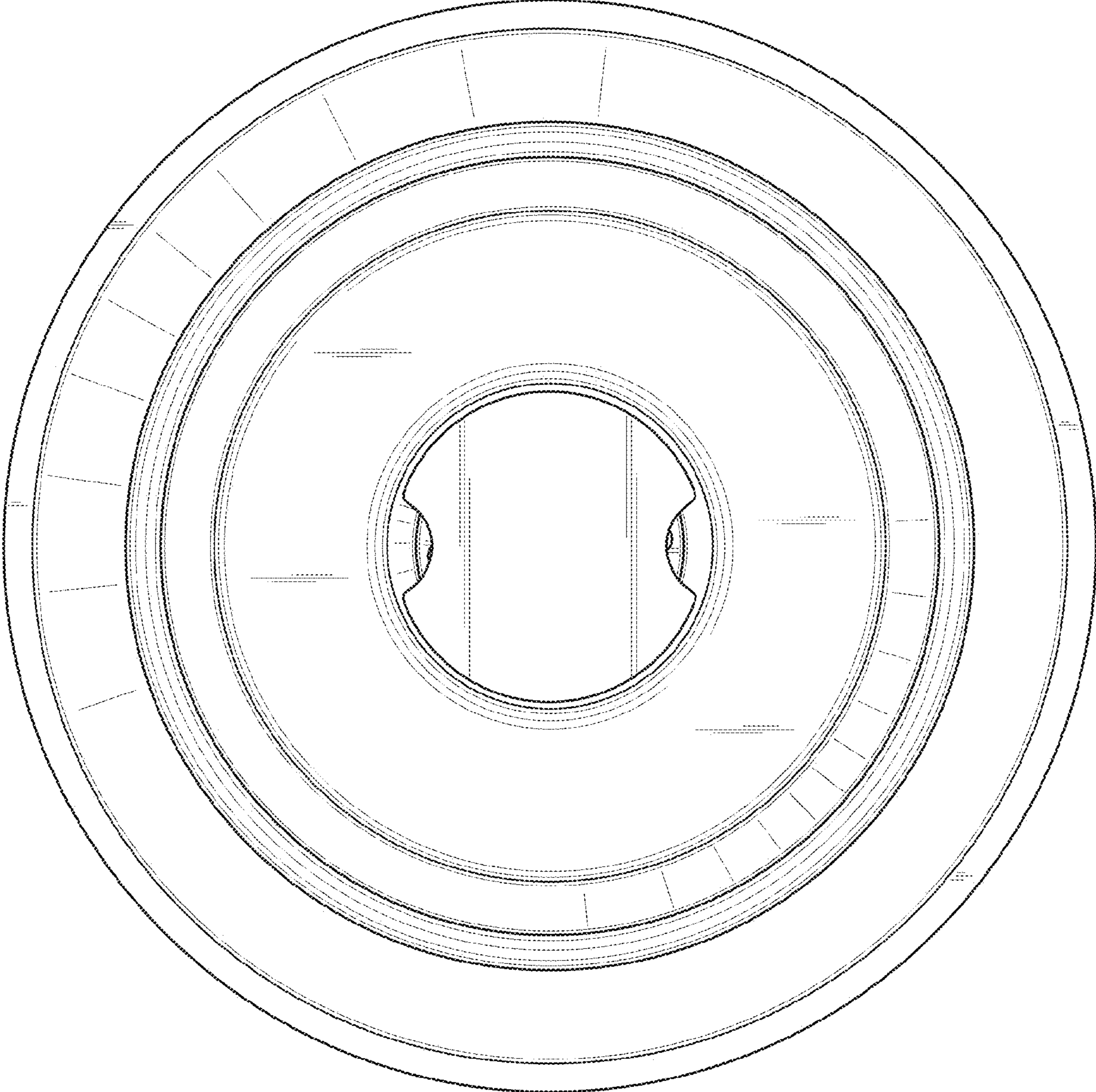


FIG. 4

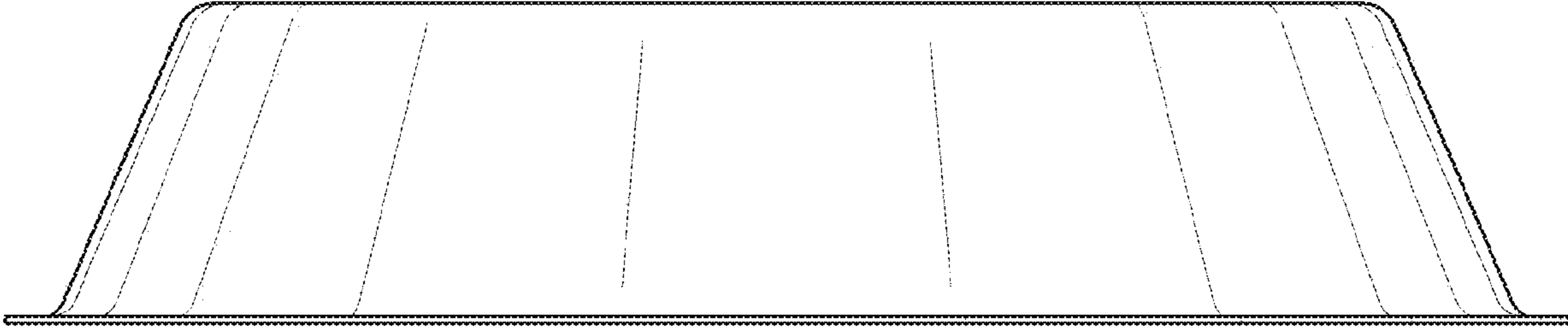


FIG. 5

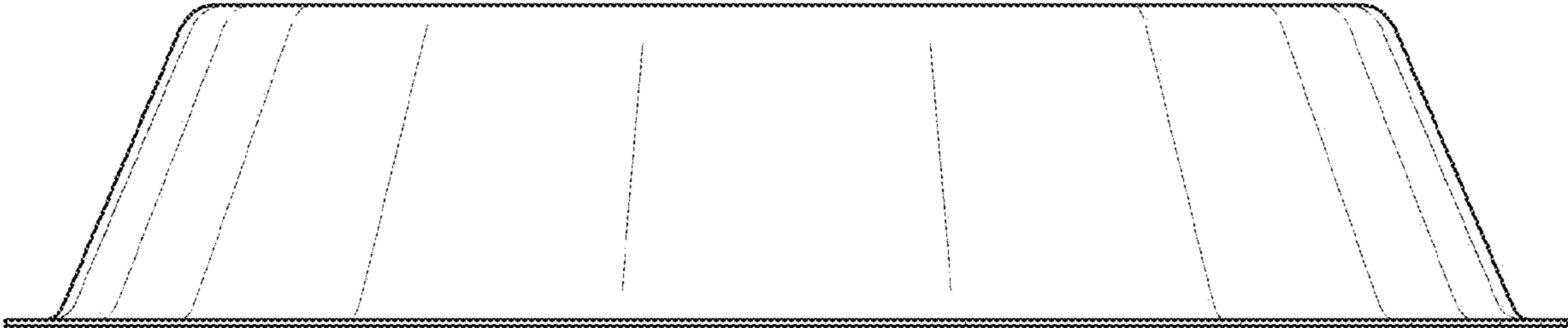


FIG. 6

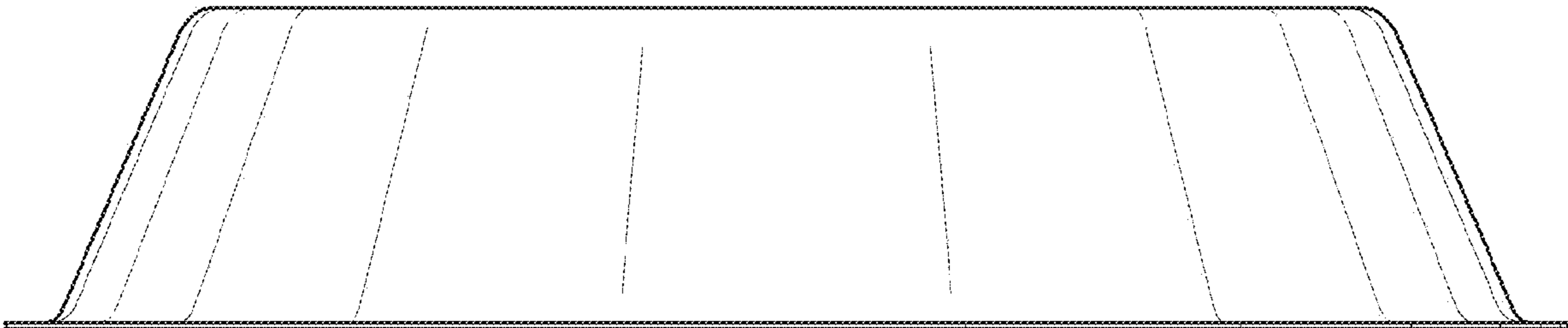


FIG. 7

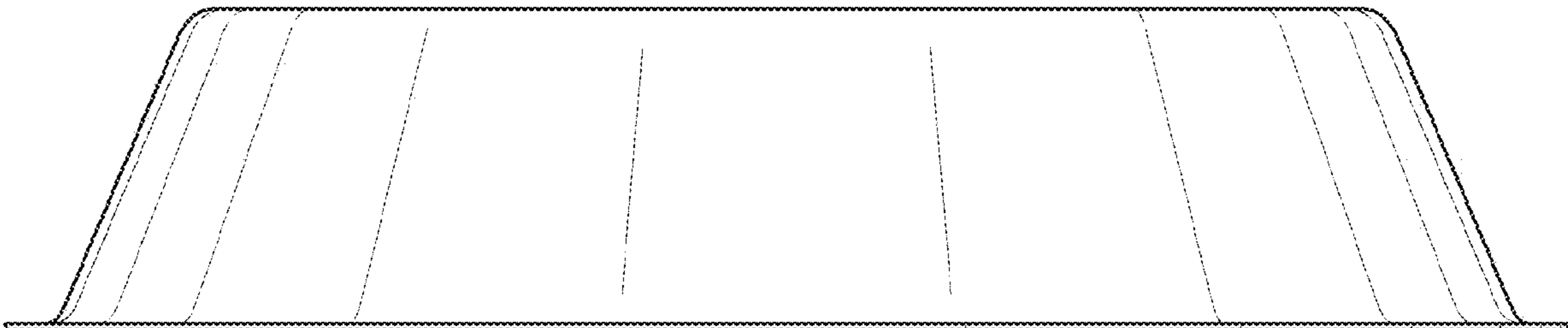


FIG. 8

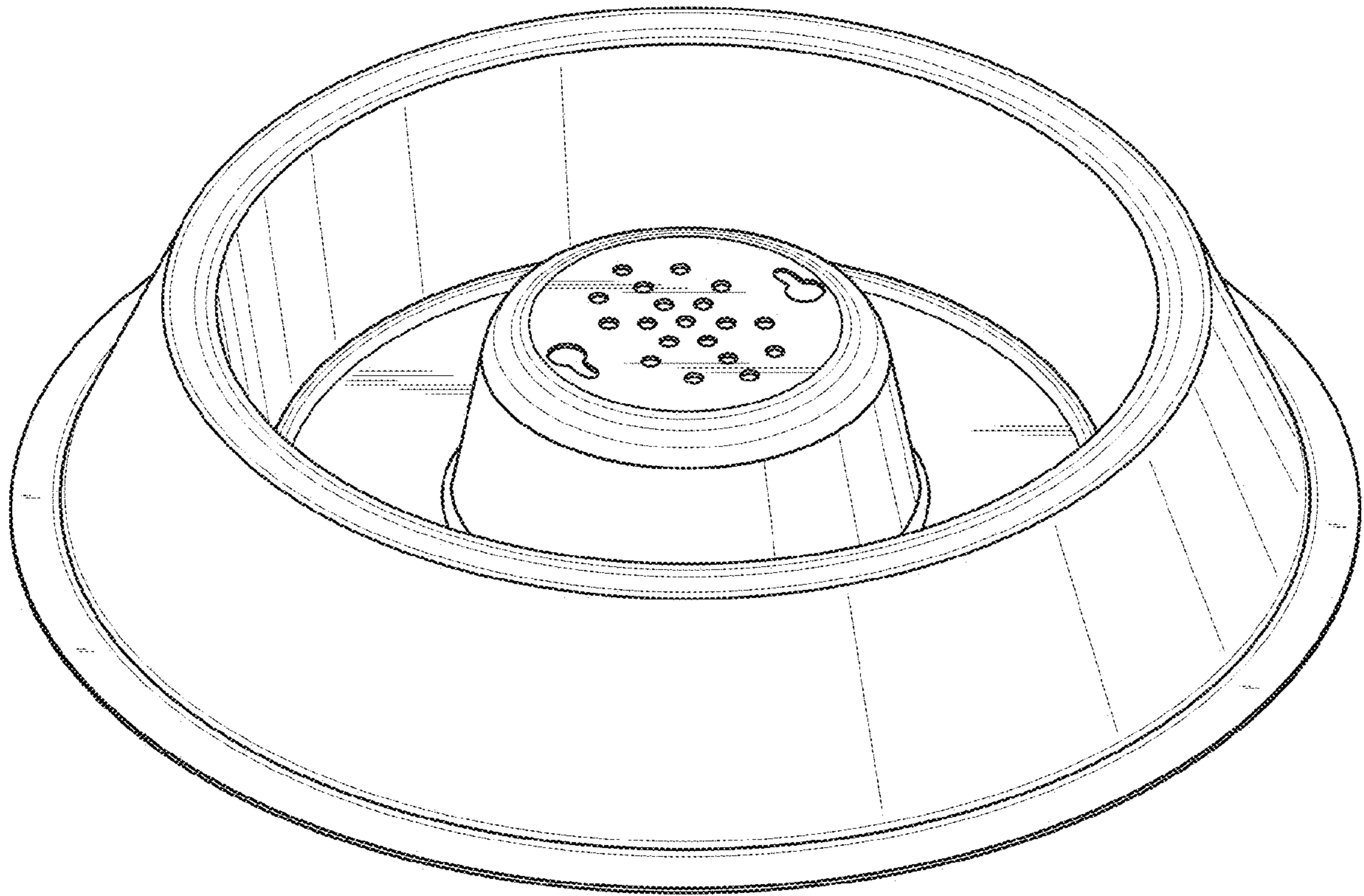


FIG. 9

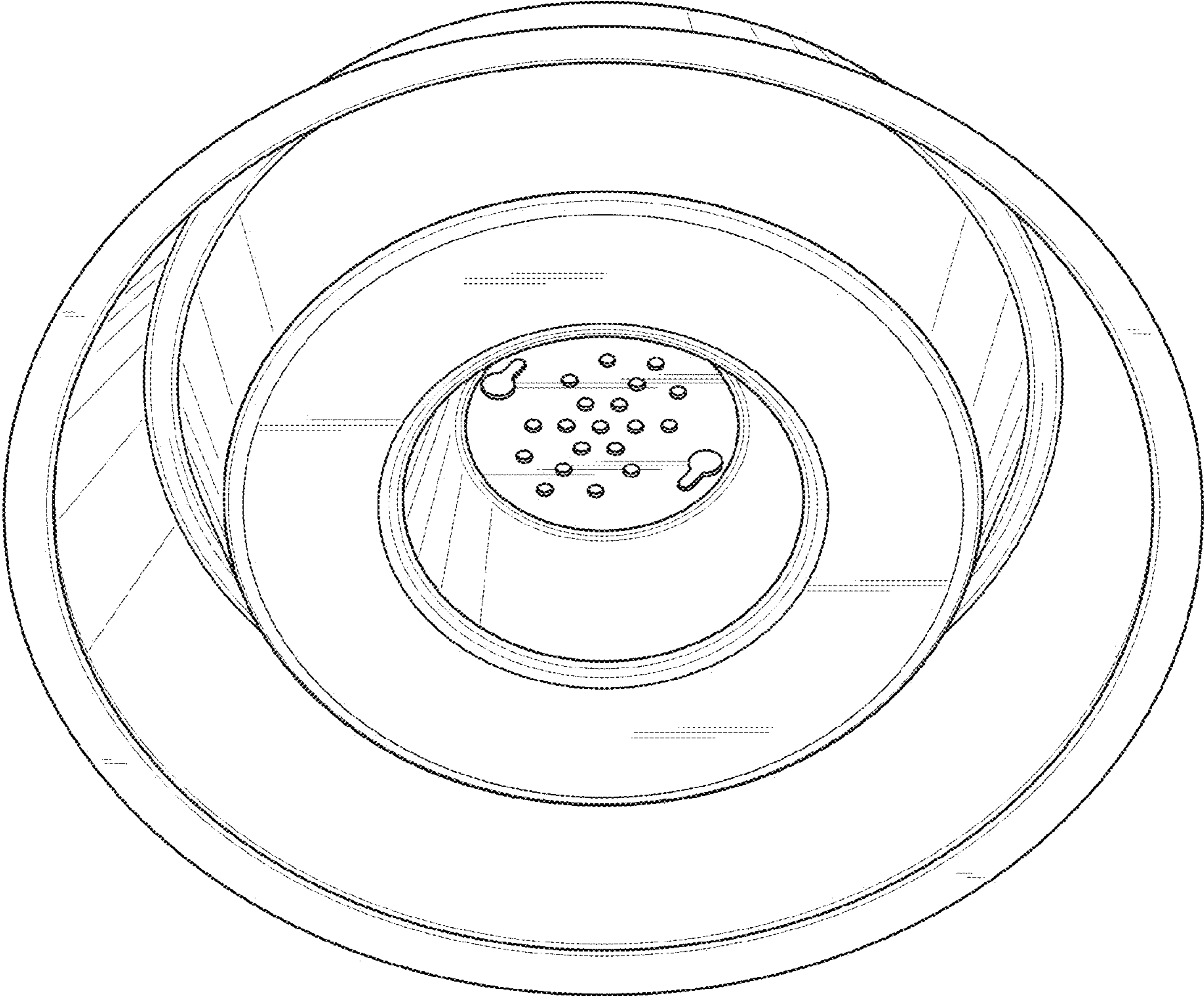


FIG. 10

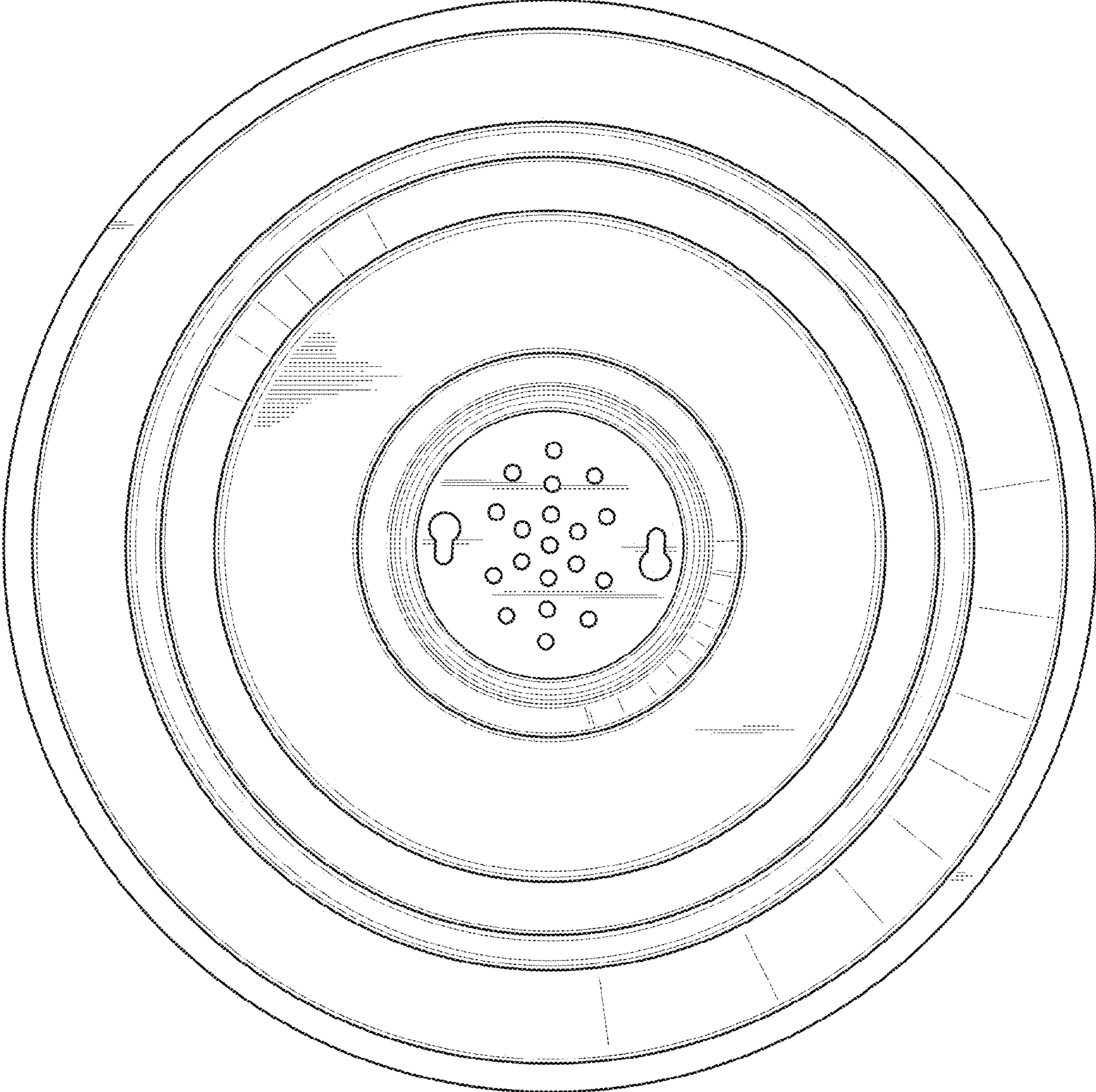


FIG. 11

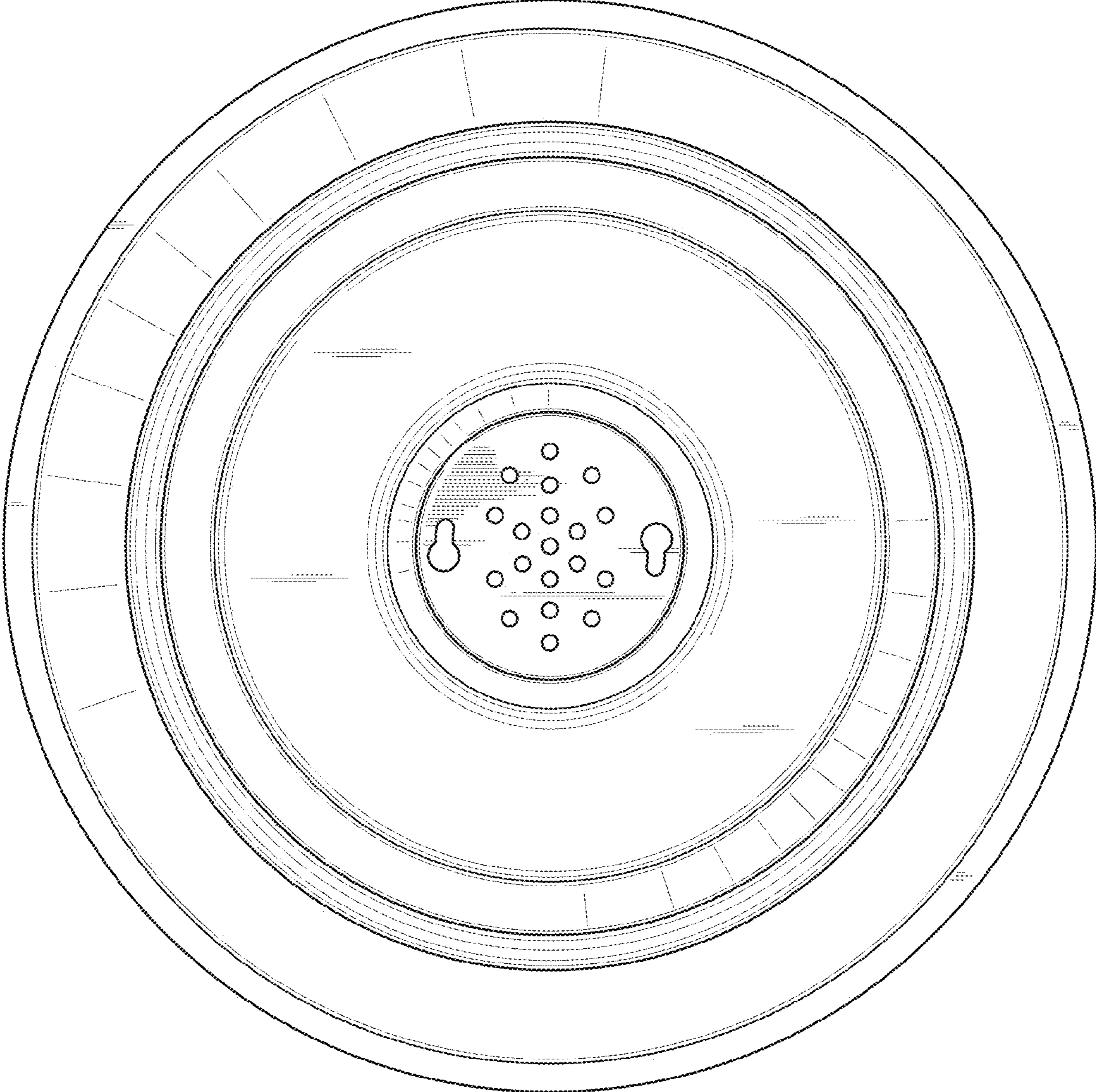


FIG. 12

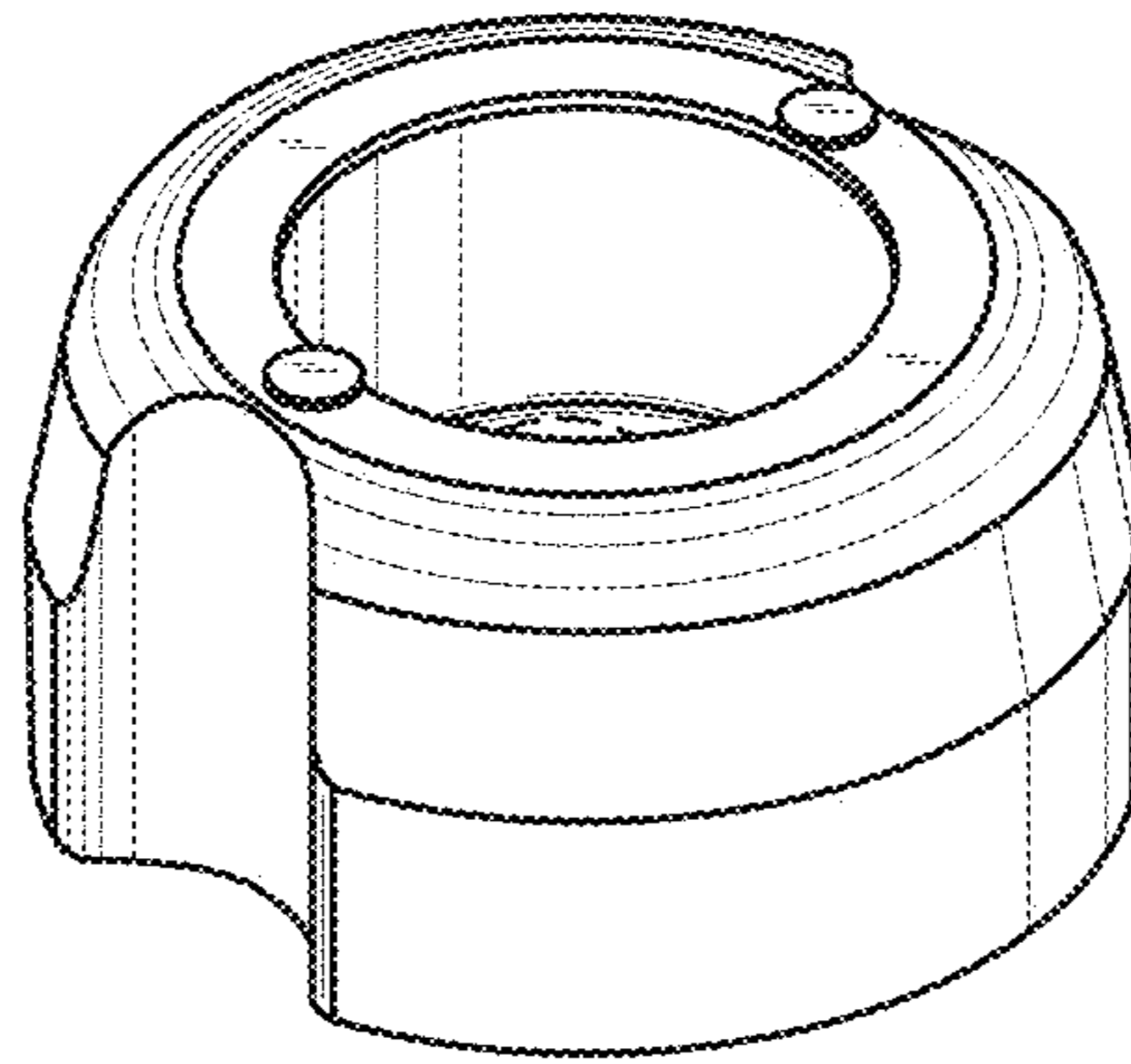


FIG. 13

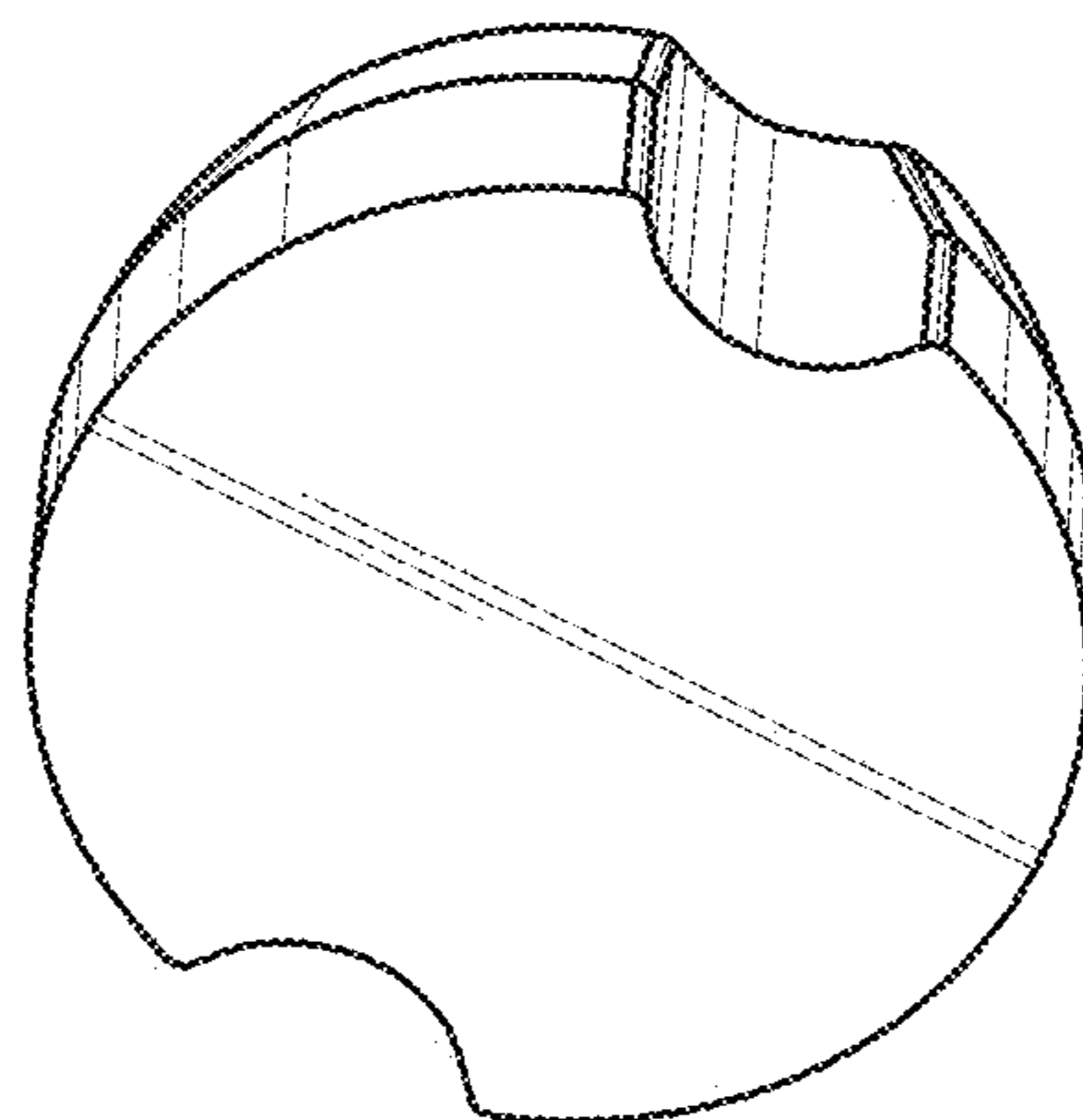


FIG. 14

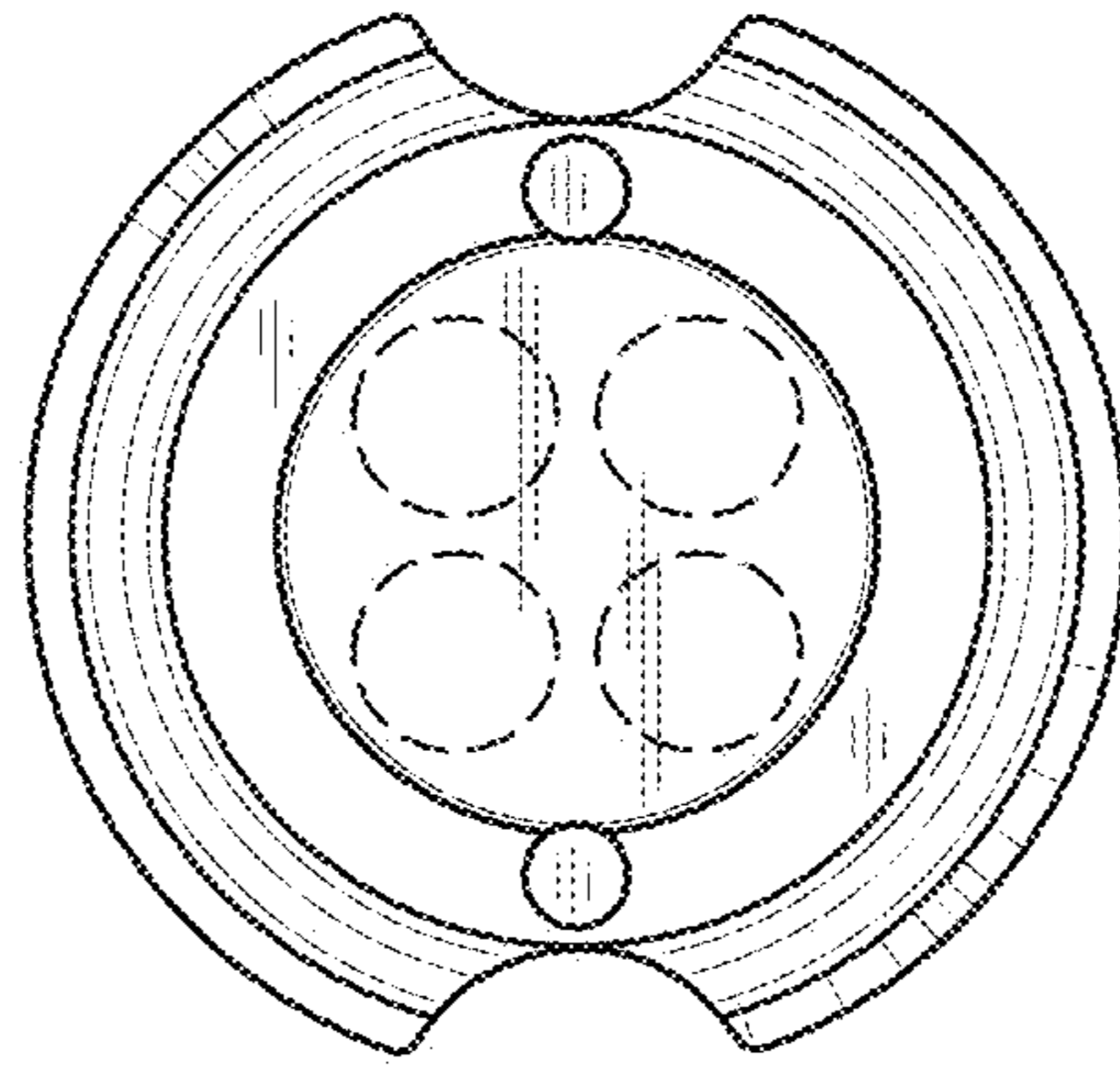


FIG. 15

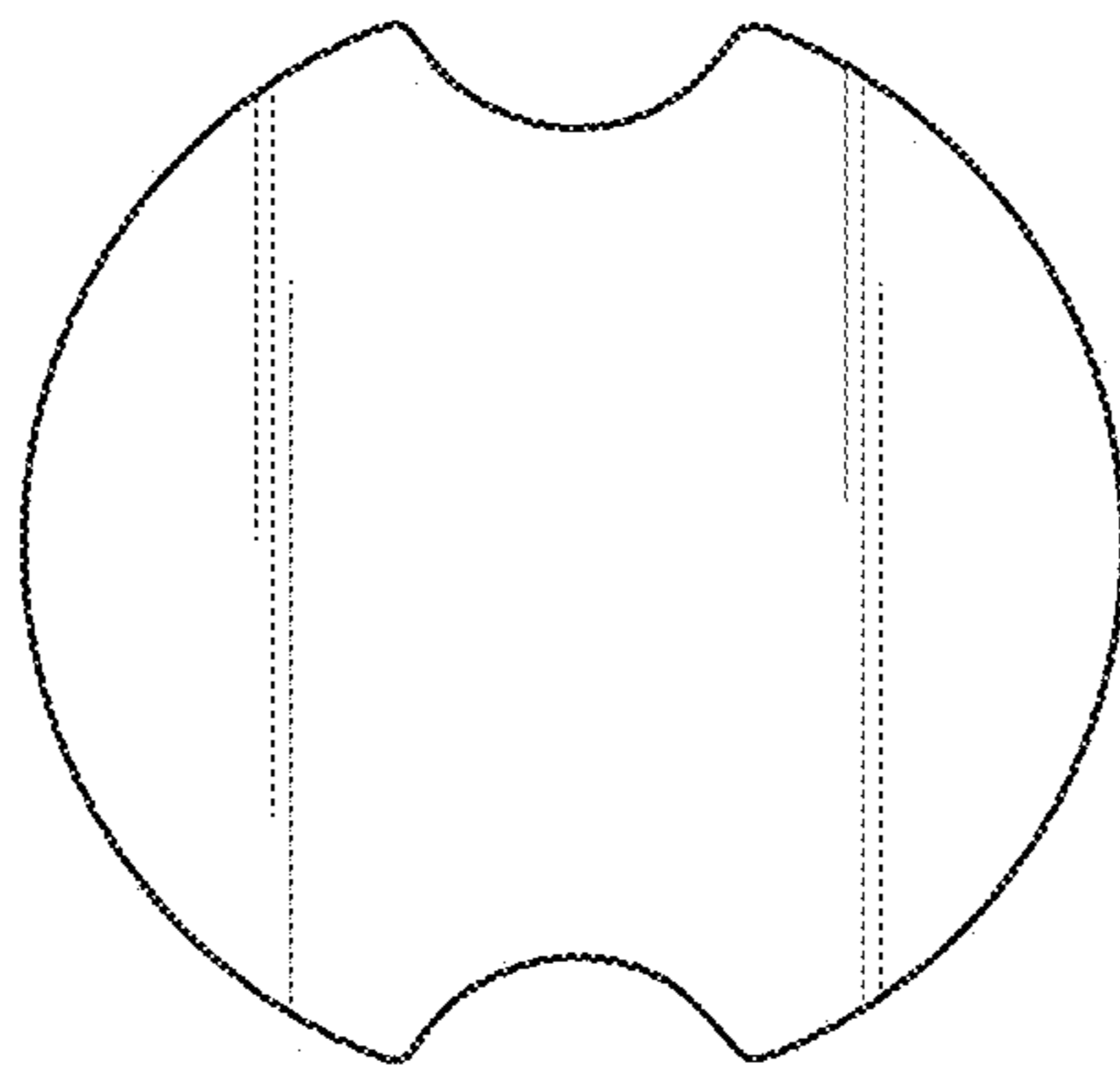


FIG. 16

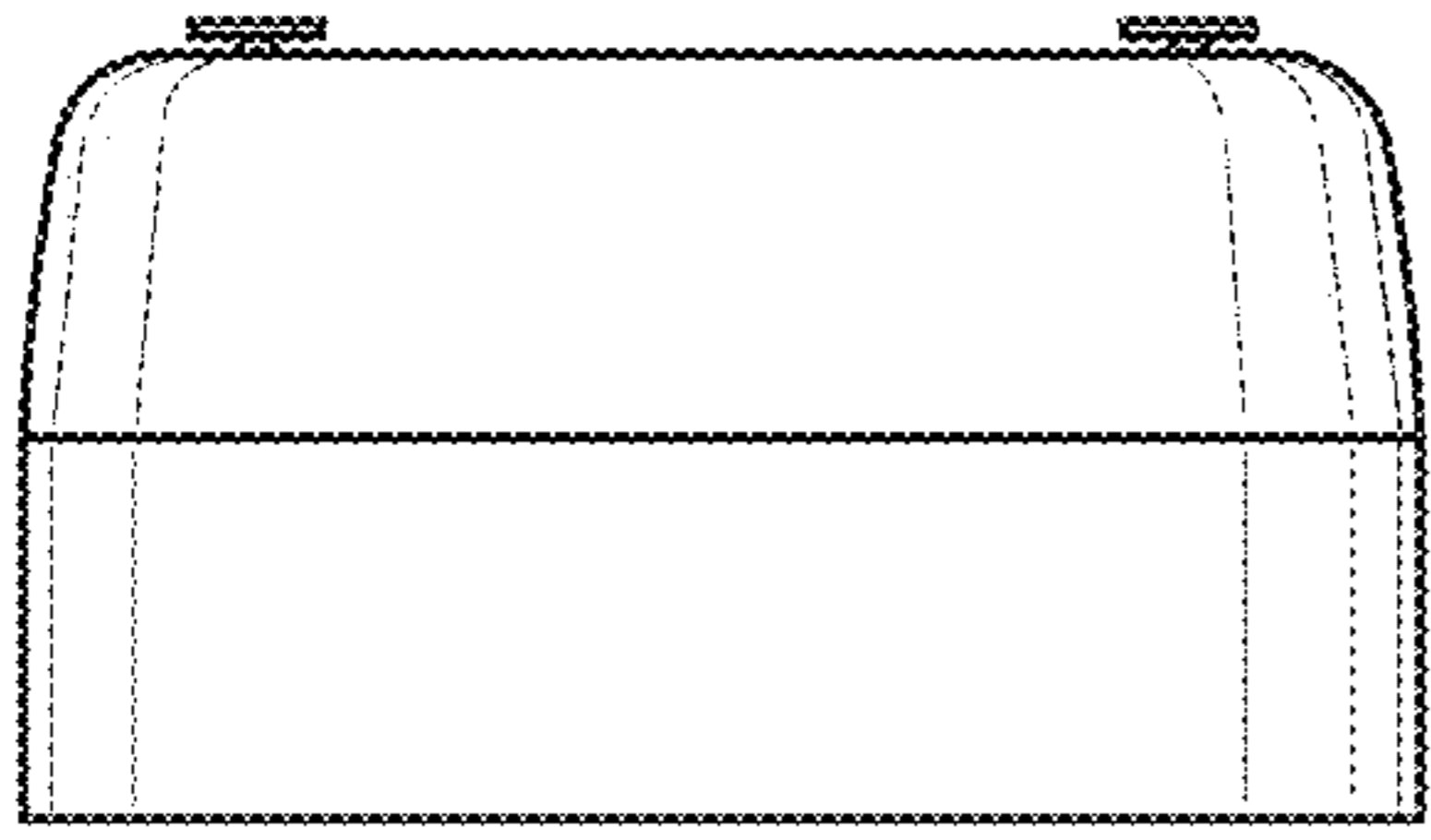


FIG. 17

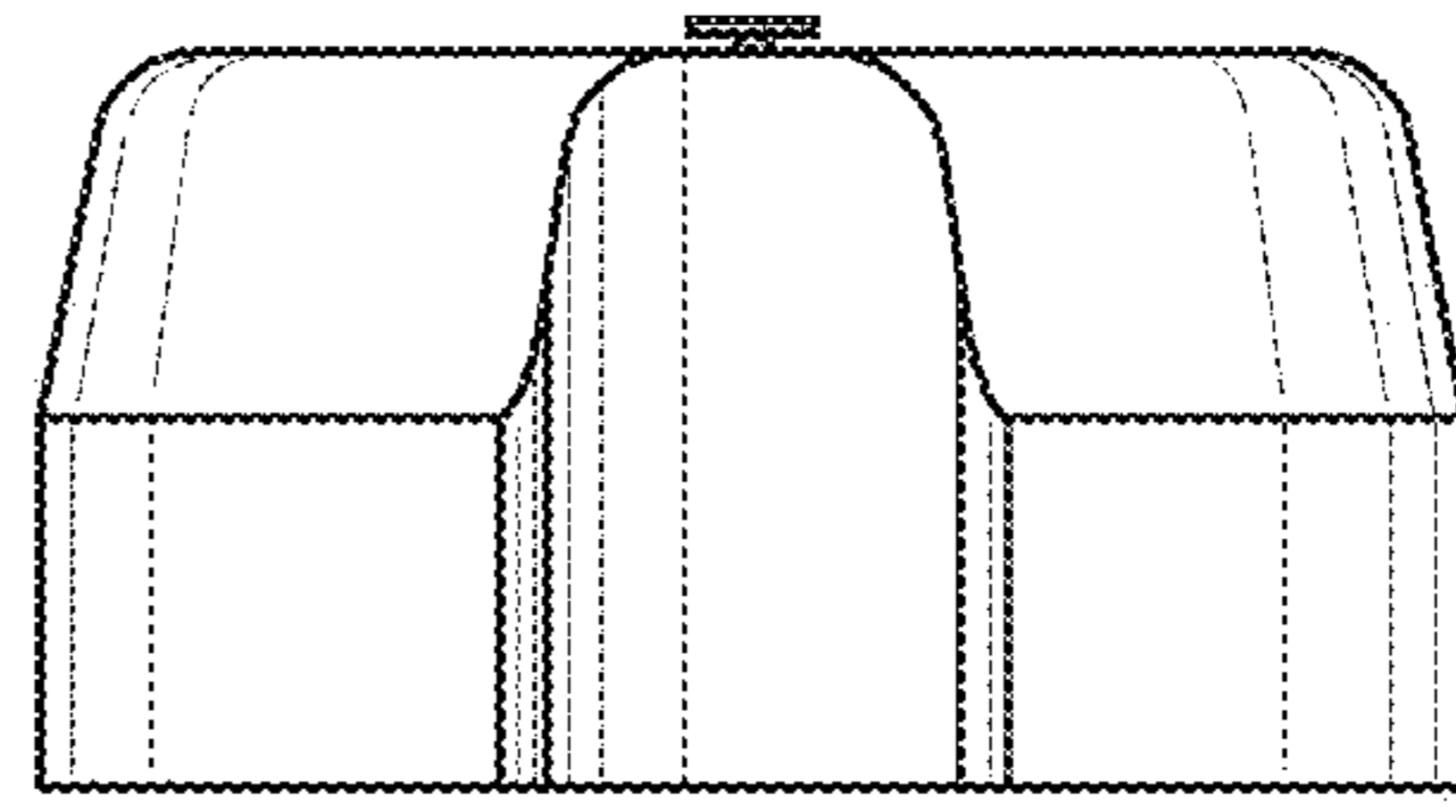


FIG. 18

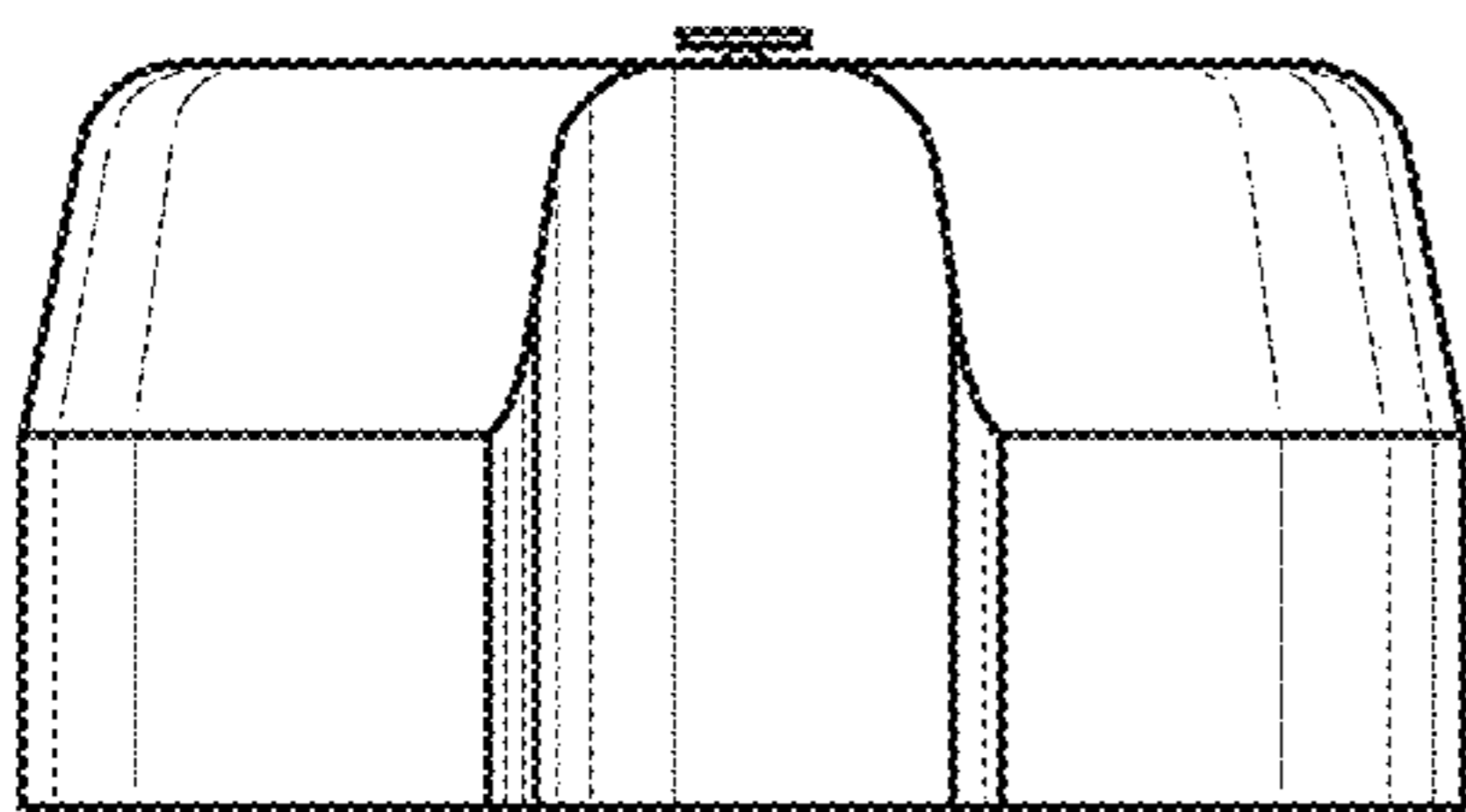


FIG. 19

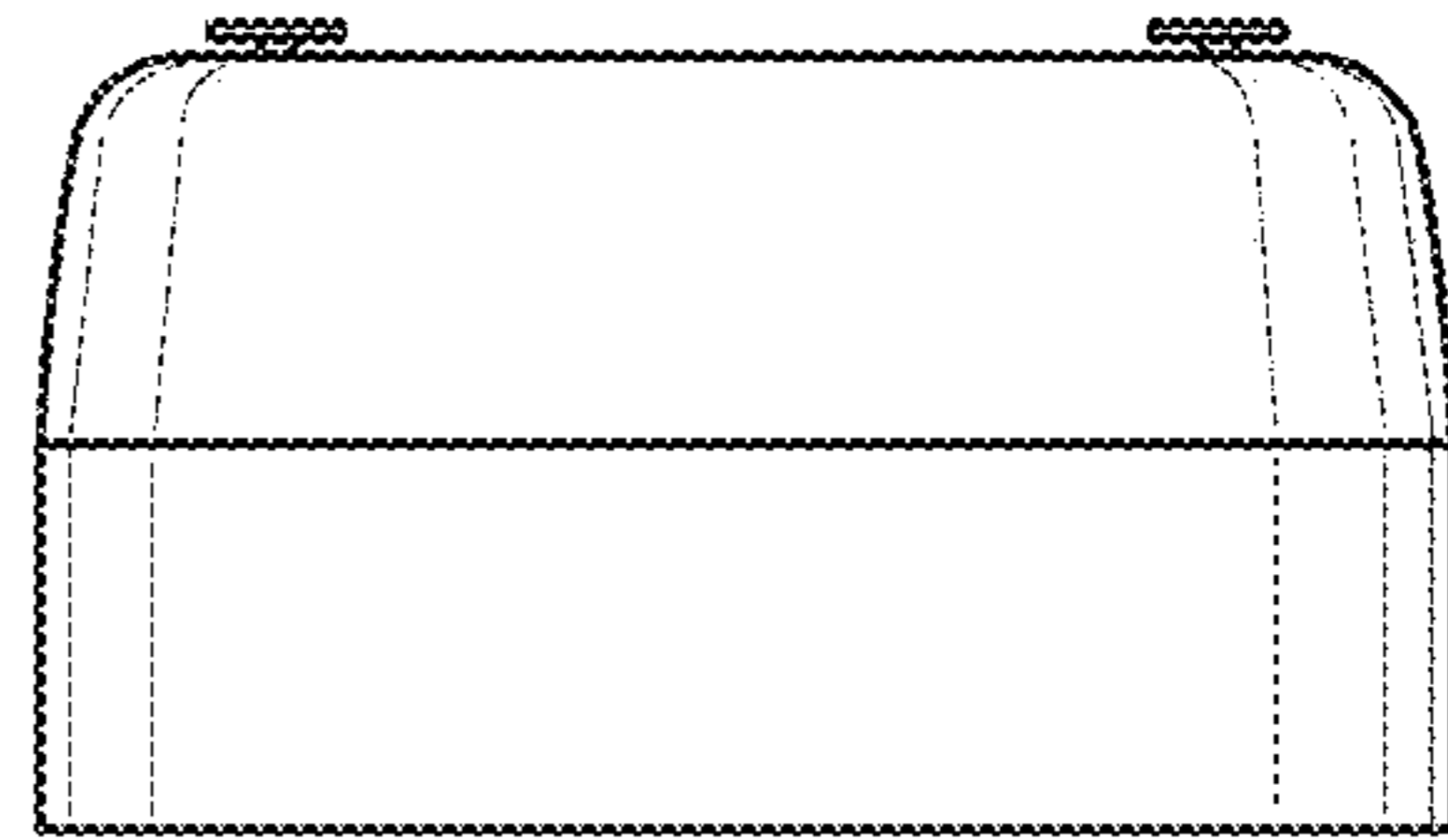


FIG. 20

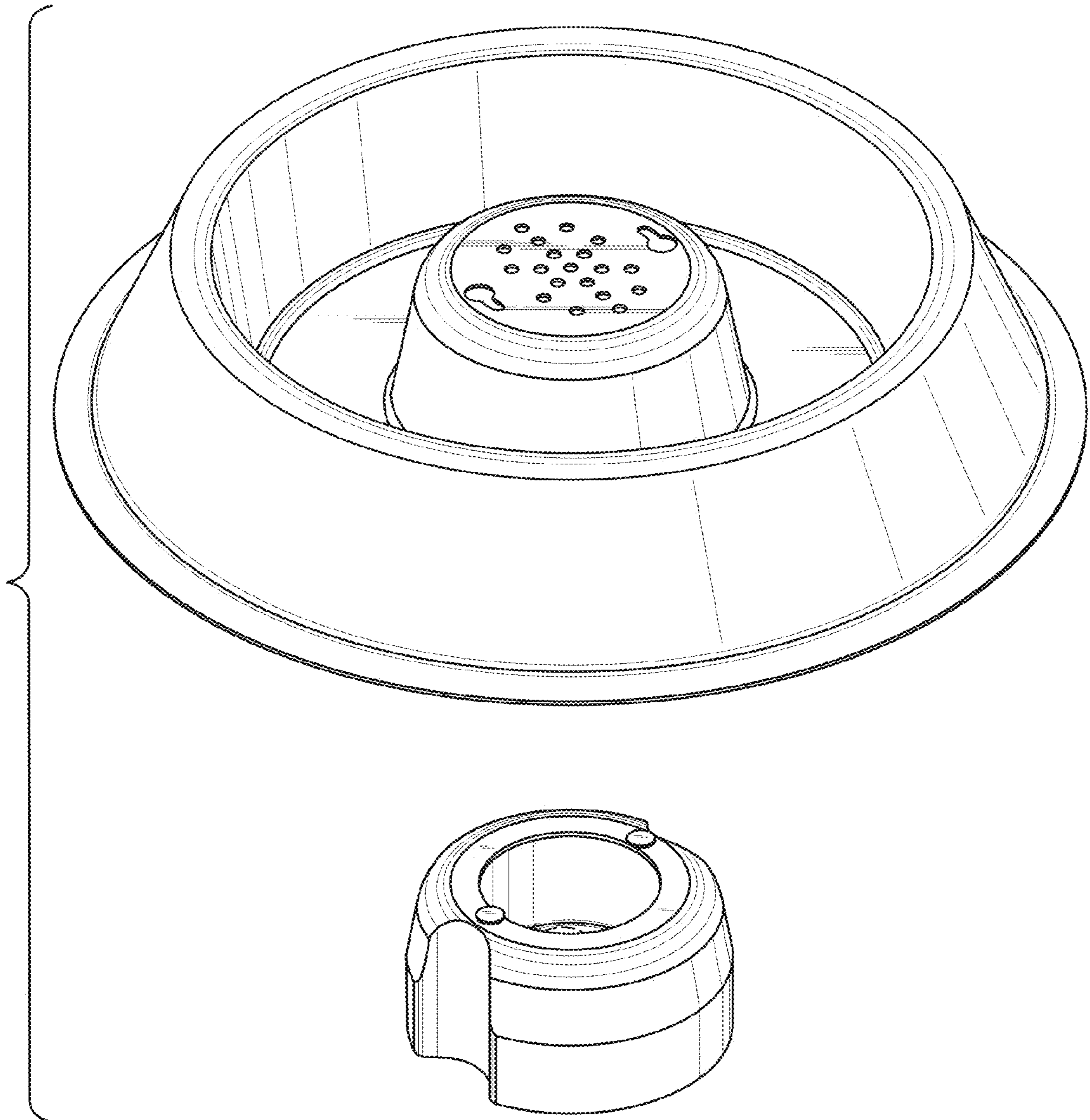


FIG. 21