



US00D901092S

(12) **United States Design Patent** (10) **Patent No.:** **US D901,092 S**
Penno (45) **Date of Patent:** **** Nov. 3, 2020**

(54) **EXPLOSION SUPPRESSION SYSTEM WITH MOUNTING SUPPORT THEREFOR**

D155,456 S * 10/1949 Seaberg A62C 35/605
D29/126
D171,531 S * 2/1954 Cramer A62C 37/10
D9/600
3,653,240 A * 4/1972 Huthsing, Jr. B21D 22/16
72/82

(71) Applicant: **Rembe GmbH Safety + Control**,
Brilon (DE)

(Continued)

(72) Inventor: **Stefan Penno**, Brilon (DE)

Primary Examiner — George D. Kirschbaum

(73) Assignee: **REMBE GMBH SAFETY + CONTROL**, Brilon (DE)

Assistant Examiner — Joseph J Kukella

(74) *Attorney, Agent, or Firm* — Edell, Shapiro & Finnan, LLC

(**) Term: **15 Years**

(57) **CLAIM**

(21) Appl. No.: **29/688,678**

The ornamental design for explosion suppression system with mounting support therefor, as shown and described.

(22) Filed: **Apr. 23, 2019**

DESCRIPTION

(30) **Foreign Application Priority Data**

Oct. 23, 2018 (EM) 005805397-0034
Oct. 23, 2018 (EM) 005805397-0036
Oct. 23, 2018 (EM) 005805397-0038
Oct. 23, 2018 (EM) 005805397-0040

FIG. 1 is a front elevation view of an explosion suppression system with mounting support therefor.

FIG. 2 is a rear elevation view of the explosion suppression system with mounting support therefor of FIG. 1.

FIG. 3 is a left side elevation view of the explosion suppression system with mounting support therefor of FIG. 1.

FIG. 4 is a right side elevation view of the explosion suppression system with mounting support therefor of FIG. 1.

FIG. 5 is a top plan view of the explosion suppression system with mounting support therefor of FIG. 1.

FIG. 6 is a bottom plan view of the explosion suppression system with mounting support therefor of FIG. 1.

FIG. 7 is a front, left perspective view from above of the explosion suppression system with mounting support therefor of FIG. 1.

FIG. 8 is a rear, right perspective view from above of the explosion suppression system with mounting support therefor of FIG. 1; and,

FIG. 9 is a rear, right perspective view from below of the explosion suppression system with mounting support therefor of FIG. 1.

(51) **LOC (12) Cl.** **29-01**

(52) **U.S. Cl.**
USPC **D29/125**

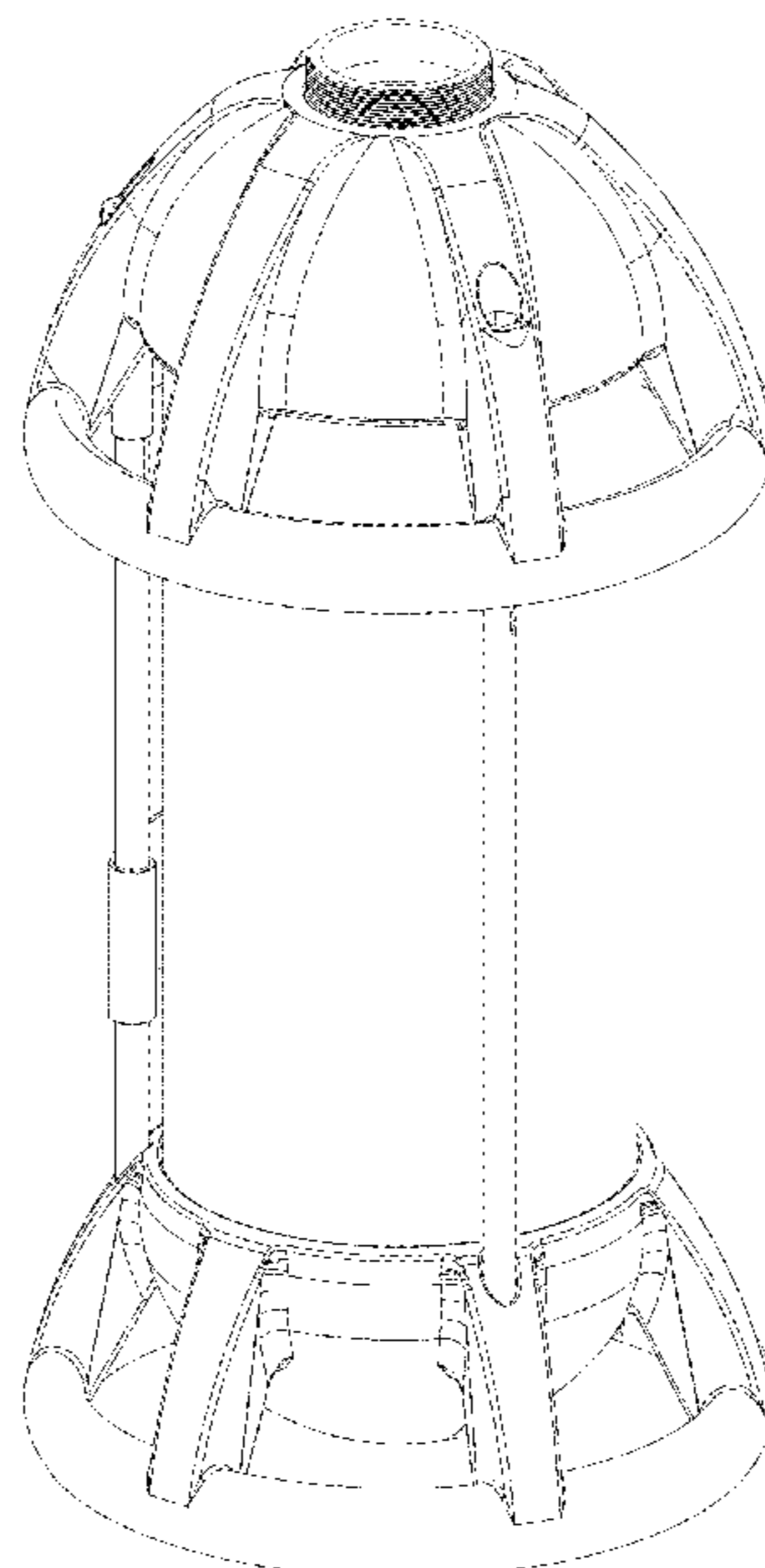
(58) **Field of Classification Search**
USPC D9/682–694; D15/7–9.3; D29/125–130
CPC A62C 35/00–68
See application file for complete search history.

(56) **References Cited**

U.S. PATENT DOCUMENTS

277,127 A * 5/1883 Gyles A62C 37/10
169/55
1,925,228 A * 9/1933 Bronander A62C 35/605
169/26
D127,577 S * 6/1941 Bishop D29/126

1 Claim, 8 Drawing Sheets



(56)

References Cited

U.S. PATENT DOCUMENTS

5,992,528 A * 11/1999 Parkinson A62C 13/22
169/26
D591,910 S * 5/2009 Rodriguez D29/125
D736,478 S * 8/2015 Piegari D29/125
D759,902 S * 6/2016 Kim D29/125

* cited by examiner

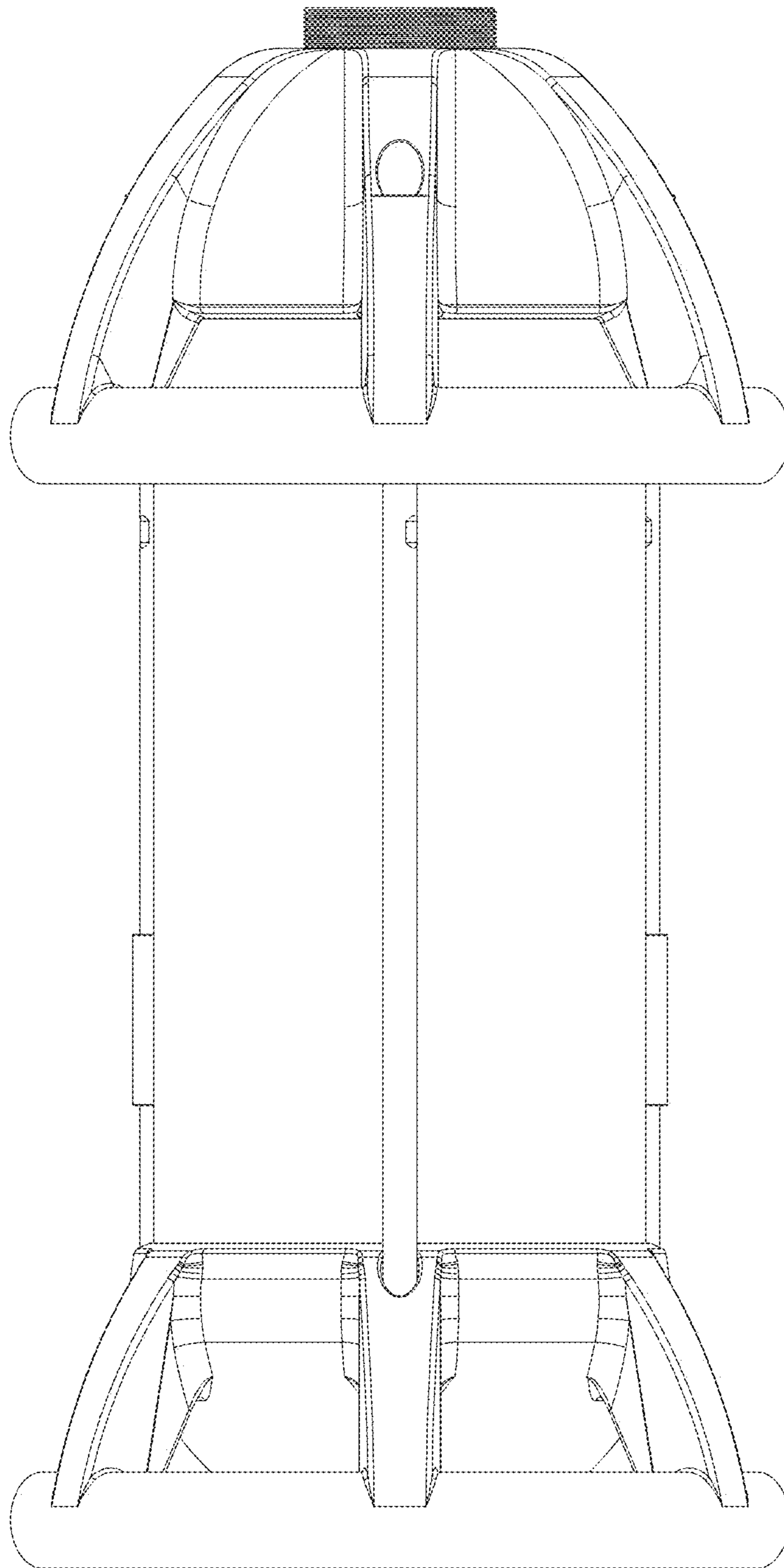


FIG. 1

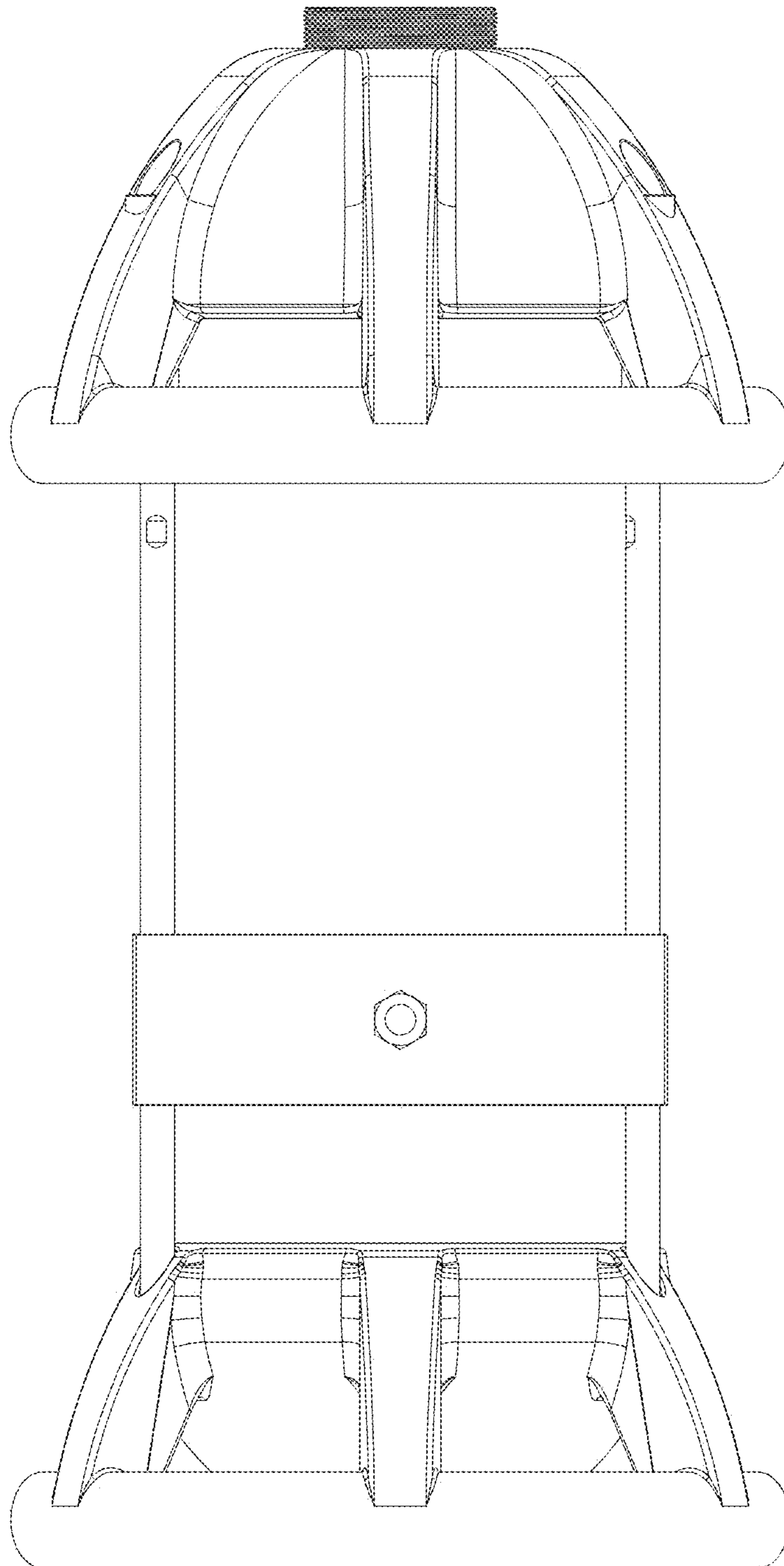


FIG.2

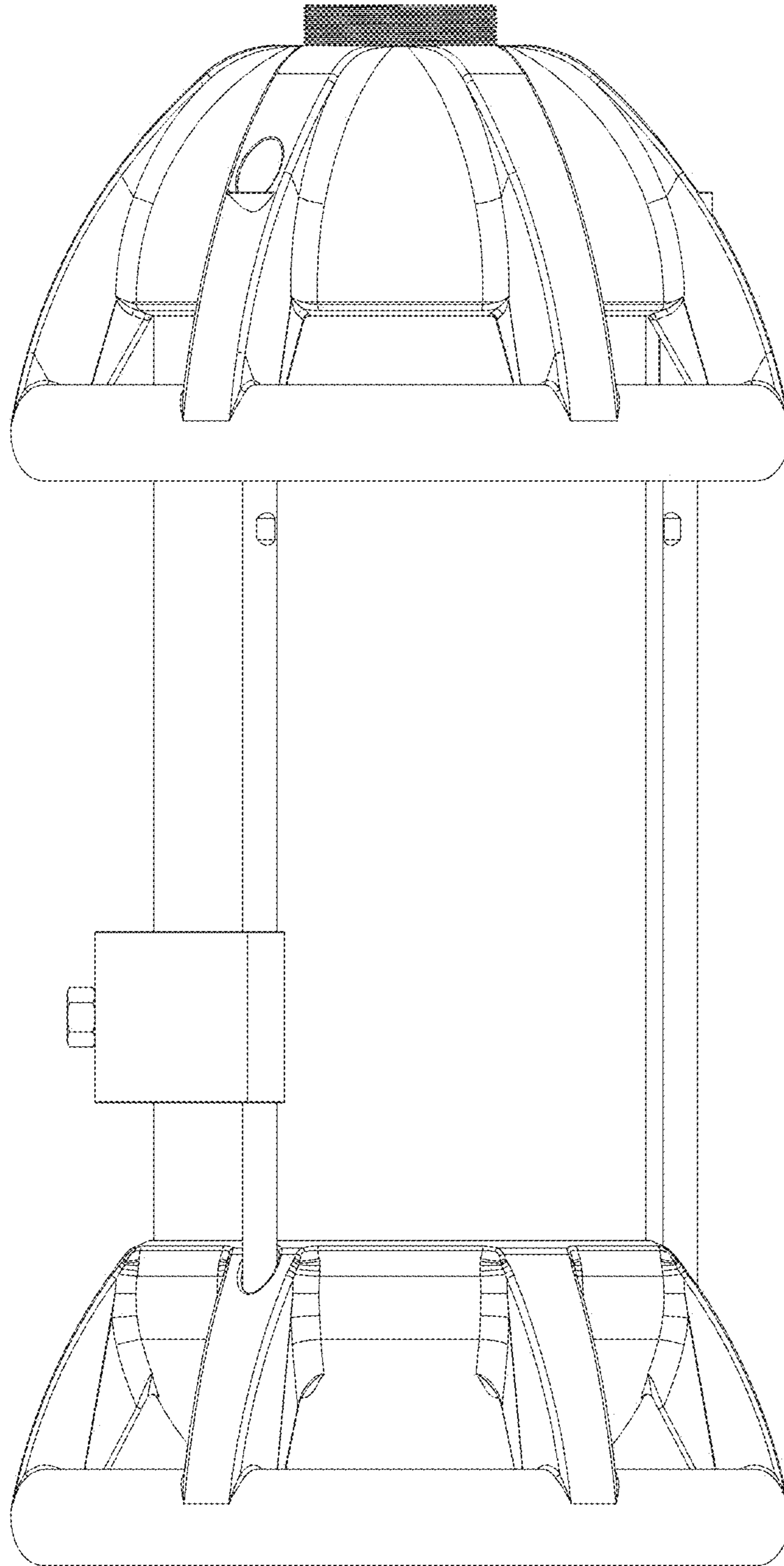


FIG.3

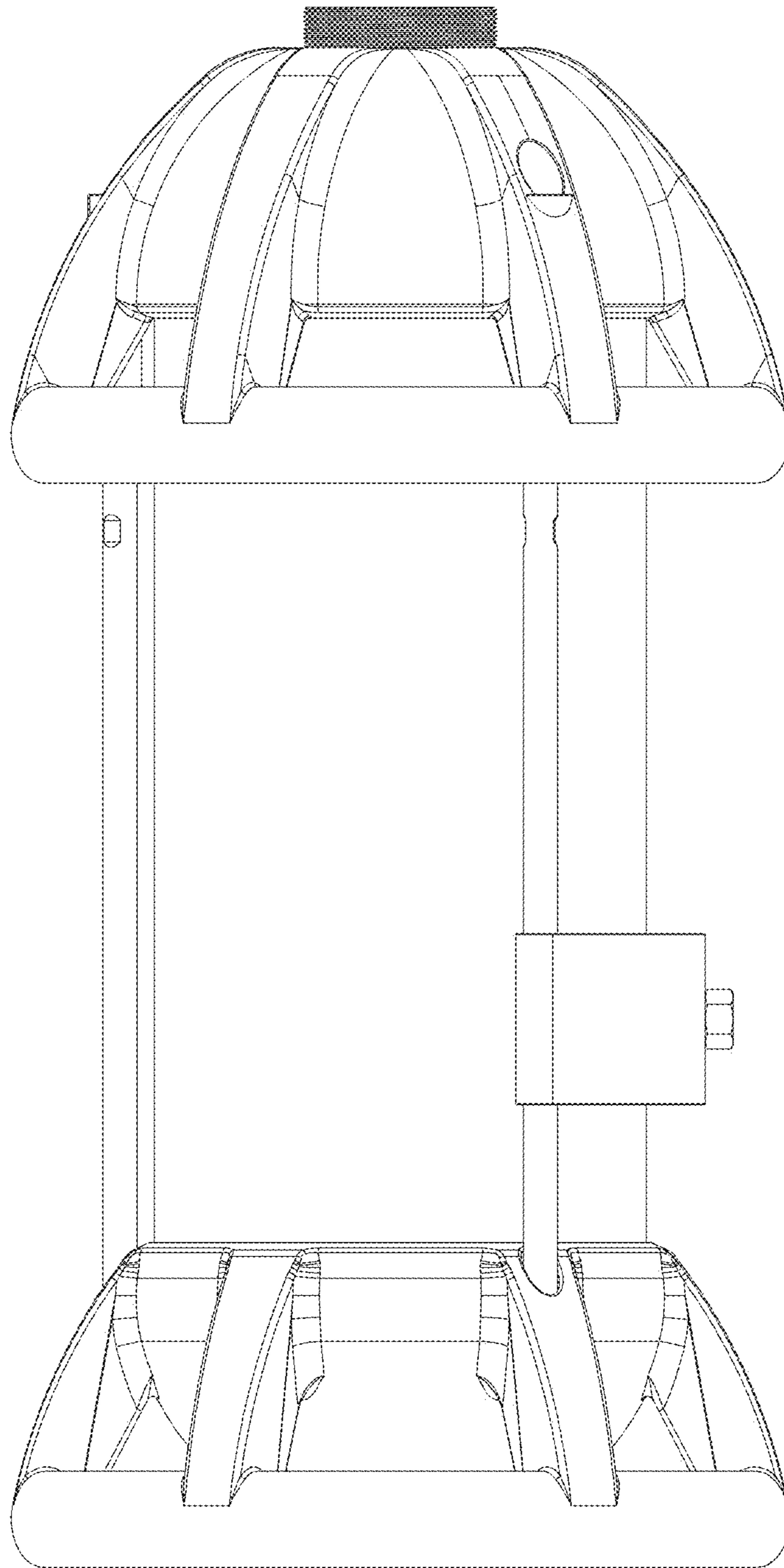


FIG.4

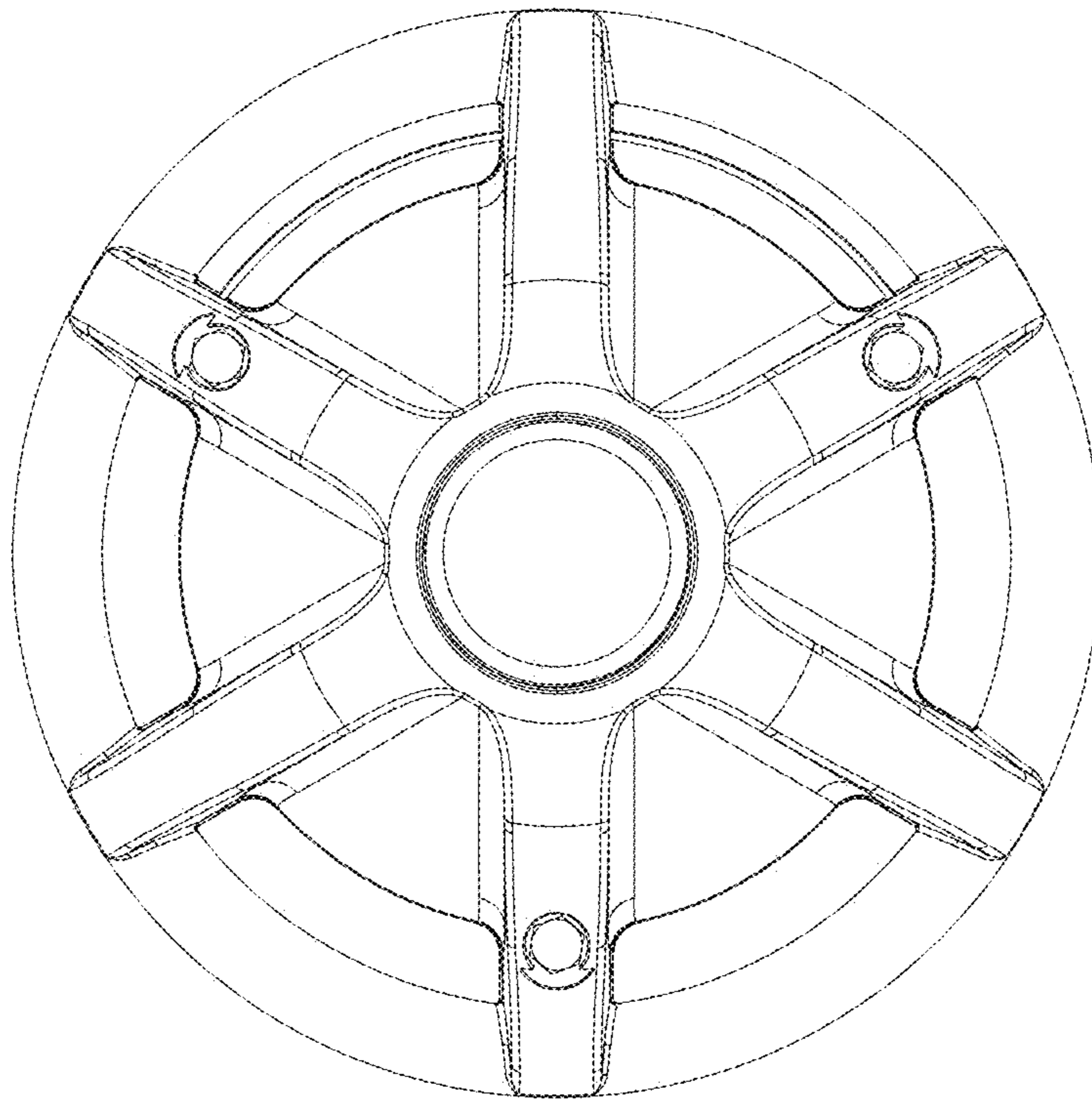


FIG. 5

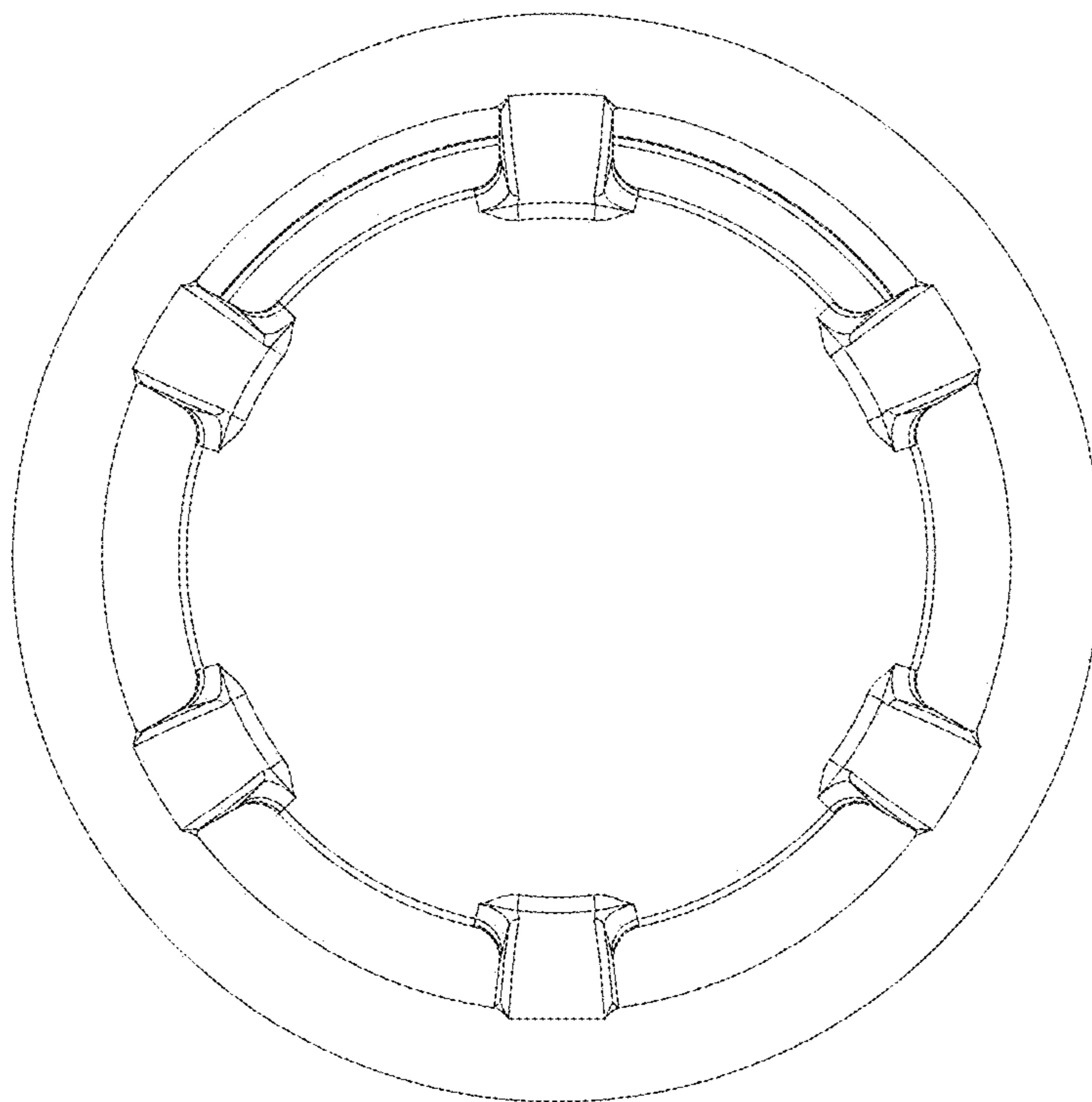


FIG. 6

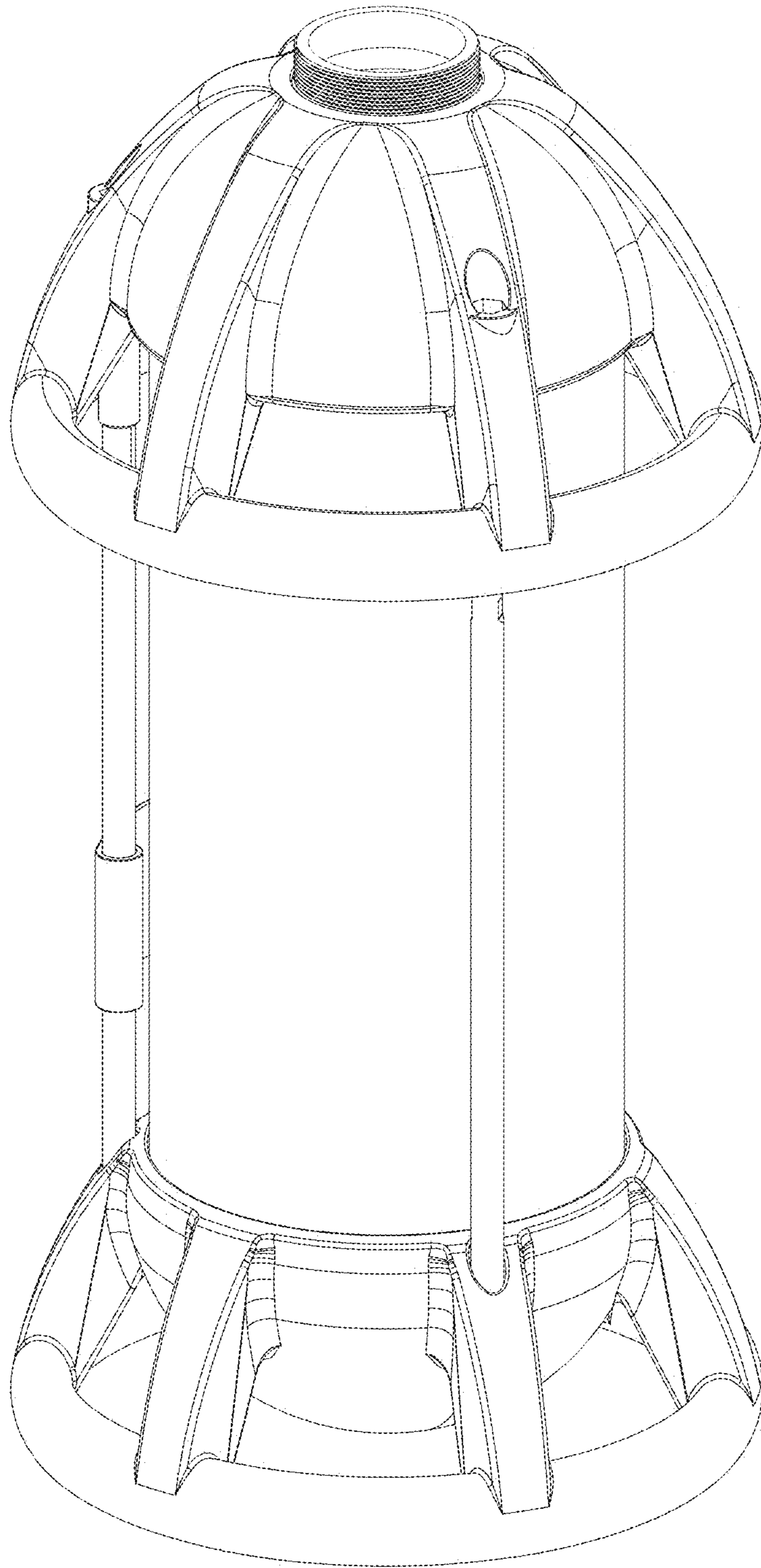


FIG.7

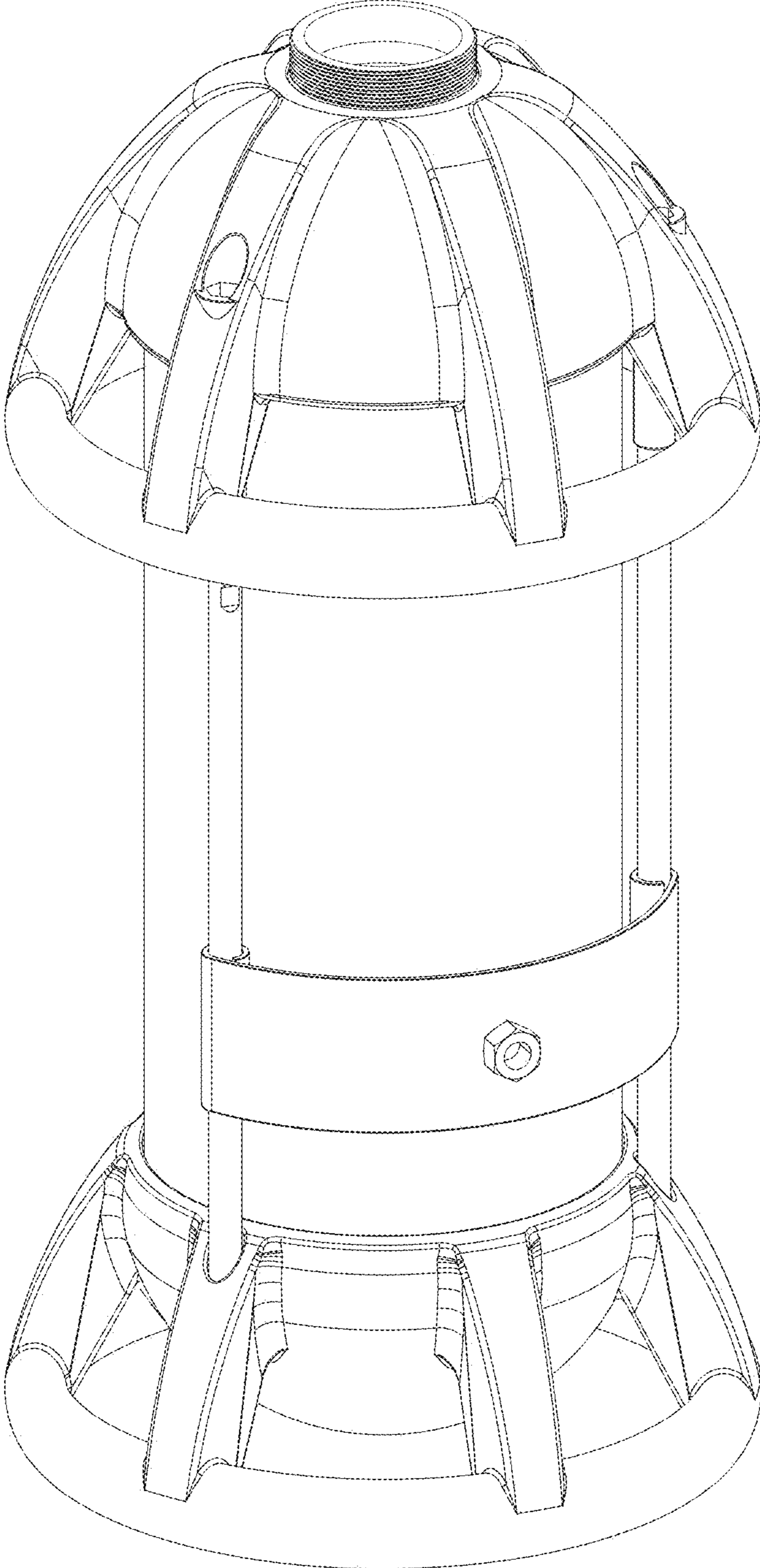


FIG. 8

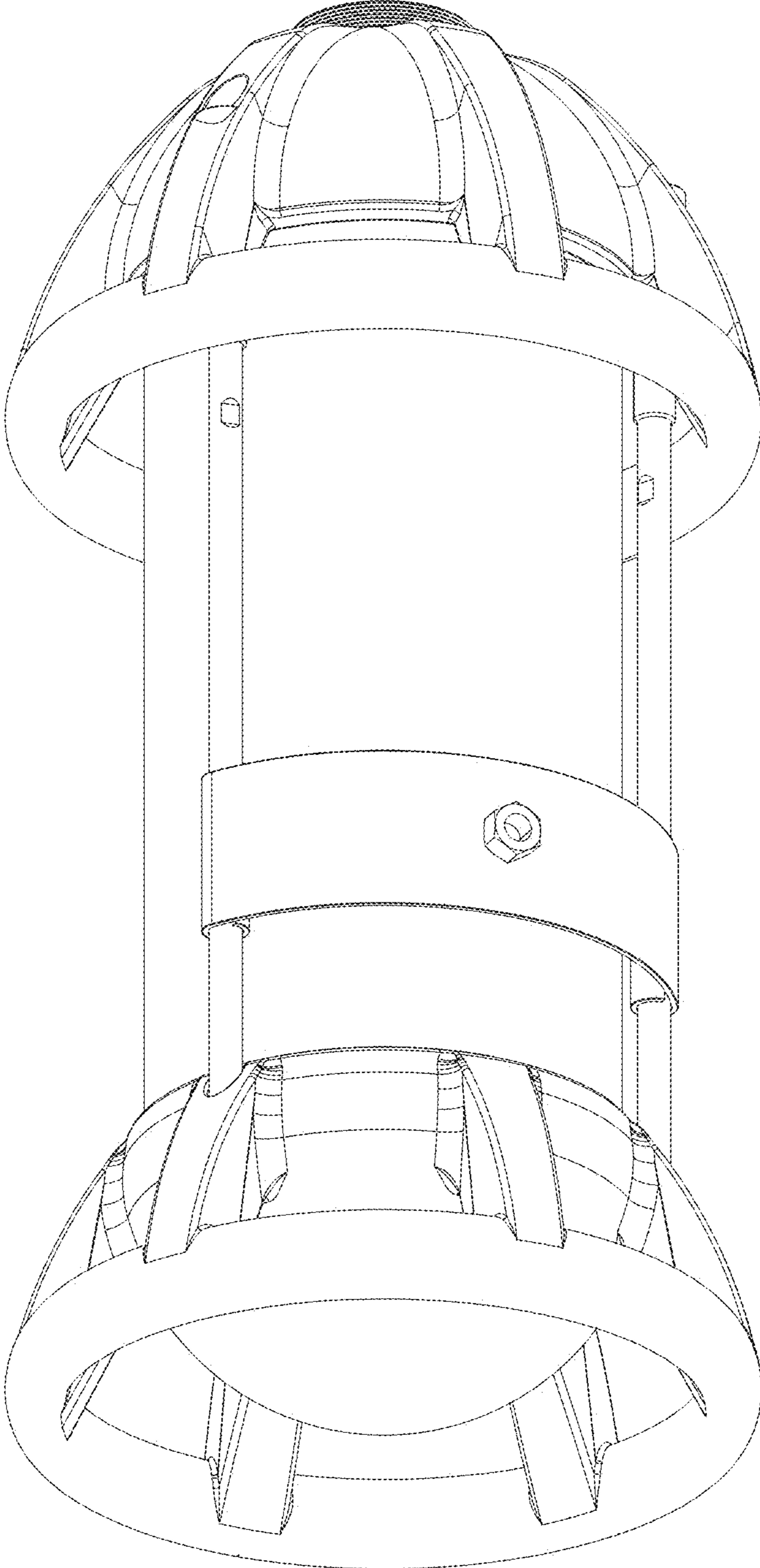


FIG.9