



US00D901089S

(12) **United States Design Patent**
Penno

(10) **Patent No.:** **US D901,089 S**
(45) **Date of Patent:** **** Nov. 3, 2020**

(54) **EXPLOSION SUPPRESSION SYSTEM WITH MOUNTING SUPPORT THEREFOR**

(71) Applicant: **Rembe GmbH Safety + Control**,
Brilon (DE)

(72) Inventor: **Stefan Penno**, Brilon (DE)

(73) Assignee: **REMBE GMBH SAFETY + CONTROL**, Brilon (DE)

(**) Term: **15 Years**

(21) Appl. No.: **29/688,670**

(22) Filed: **Apr. 23, 2019**

(30) **Foreign Application Priority Data**

Oct. 23, 2018 (EM) 005805397-0012
Oct. 23, 2018 (EM) 005805397-0014

(51) **LOC (12) Cl.** **29-01**

(52) **U.S. Cl.**
USPC **D29/125**

(58) **Field of Classification Search**
USPC D9/682-694; D15/7-9.3; D29/125-130
CPC A62C 35/00-68
See application file for complete search history.

(56) **References Cited**

U.S. PATENT DOCUMENTS

277,127 A * 5/1883 Gyles A62C 37/10
169/55
1,925,228 A * 9/1933 Bronander A62C 35/605
169/26
D127,577 S * 6/1941 Bishop D29/126
D155,456 S * 10/1949 Seaberg A62C 35/605
D29/126
D171,531 S * 2/1954 Cramer A62C 37/10
D9/600

3,653,240 A * 4/1972 Huthsing, Jr. B21D 22/16
72/82
5,992,528 A * 11/1999 Parkinson A62C 13/22
169/26
D591,910 S * 5/2009 Rodriguez D29/125
D736,478 S * 8/2015 Piegari D29/125
D759,902 S * 6/2016 Kim D29/125

* cited by examiner

Primary Examiner — George D. Kirschbaum

Assistant Examiner — Joseph J Kukella

(74) *Attorney, Agent, or Firm* — Edell, Shapiro & Finnan, LLC

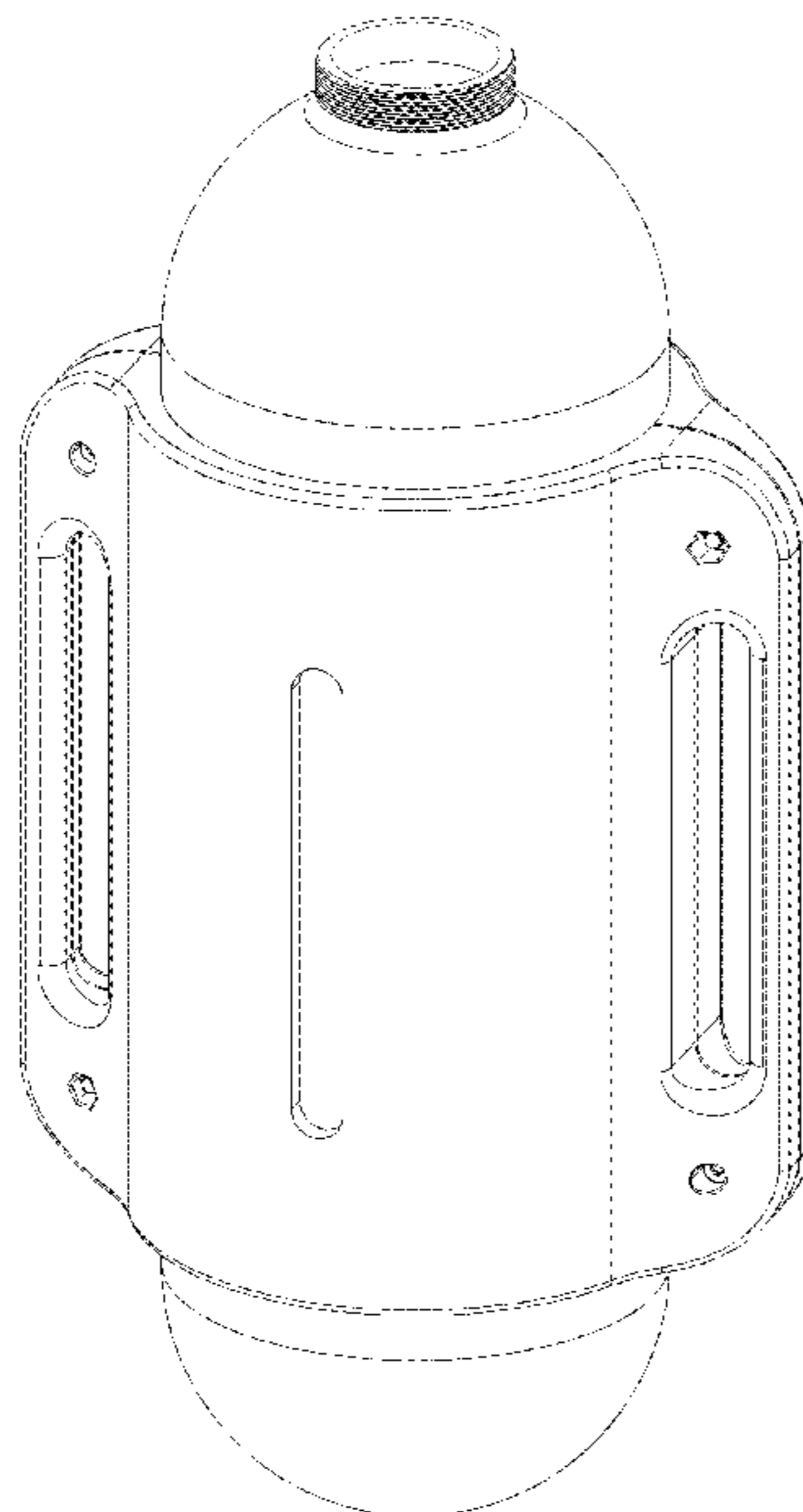
(57) **CLAIM**

The ornamental design for an explosion suppression system with mounting support therefor, as shown and described.

DESCRIPTION

FIG. 1 is a front elevation view of an explosion suppression system with mounting support therefor.
FIG. 2 is a rear elevation view of the explosion suppression system with mounting support therefor.
FIG. 3 is a left side elevation view of the explosion suppression system with mounting support therefor.
FIG. 4 is a right side elevation view of the explosion suppression system with mounting support therefor.
FIG. 5 is a top plan view of the explosion suppression system with mounting support therefor.
FIG. 6 is a bottom plan view of the explosion suppression system with mounting support therefor.
FIG. 7 is a front, right perspective view from above of the explosion suppression system with mounting support therefor of FIG. 1; and,
FIG. 8 is a rear, left perspective view from below of the explosion suppression system with mounting support therefor of FIG. 1.

1 Claim, 7 Drawing Sheets



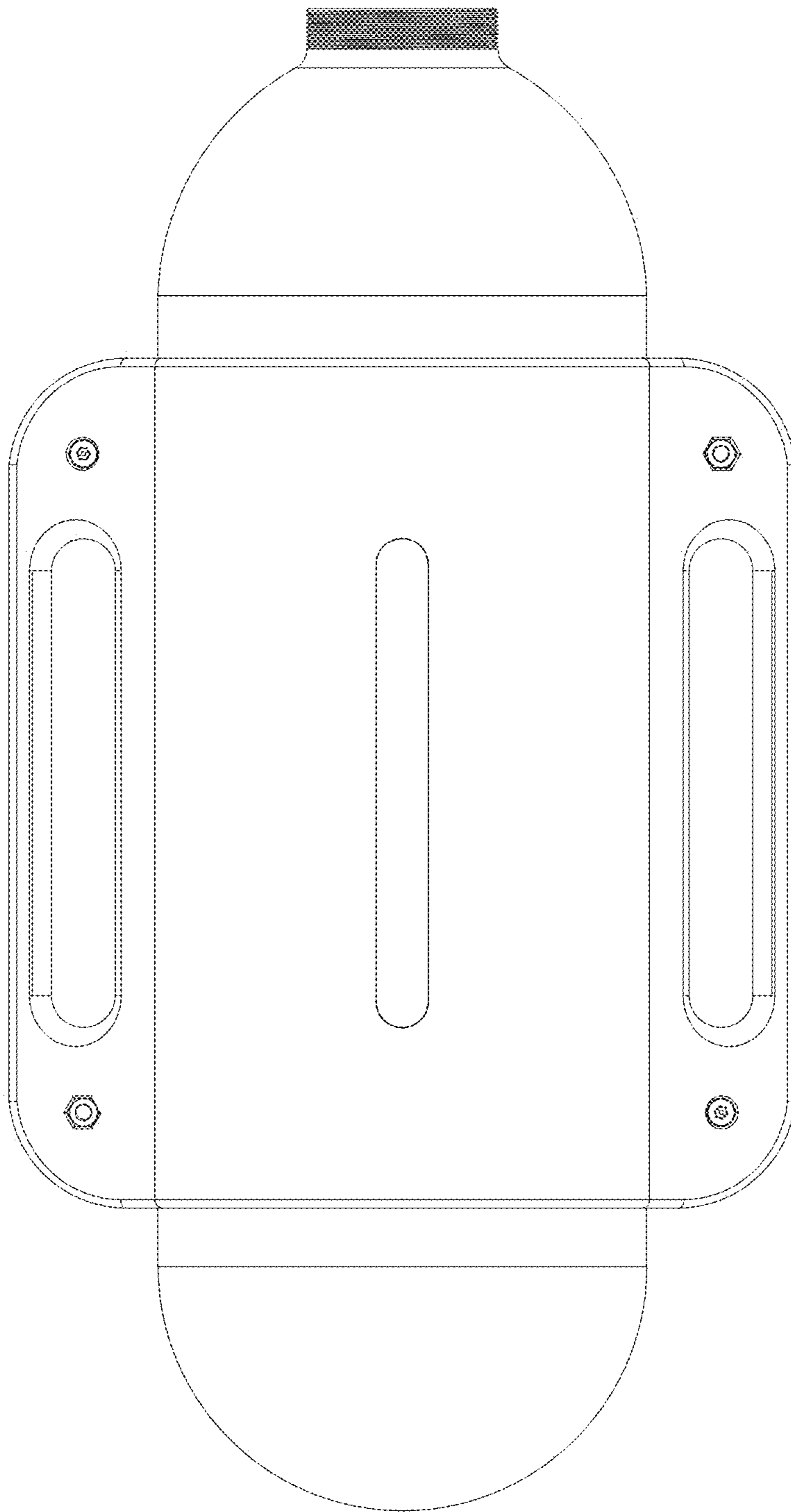


FIG. 1

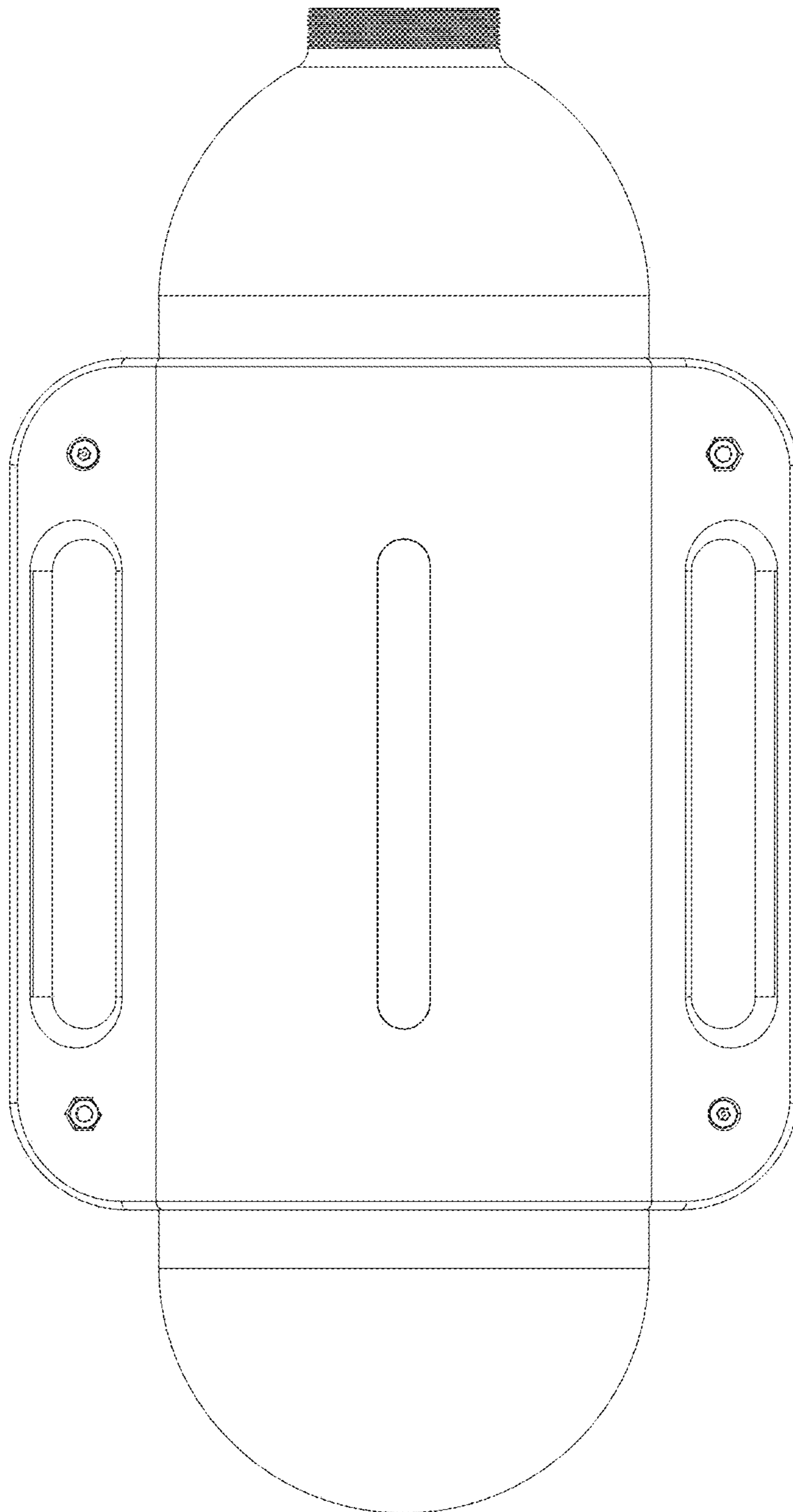


FIG. 2

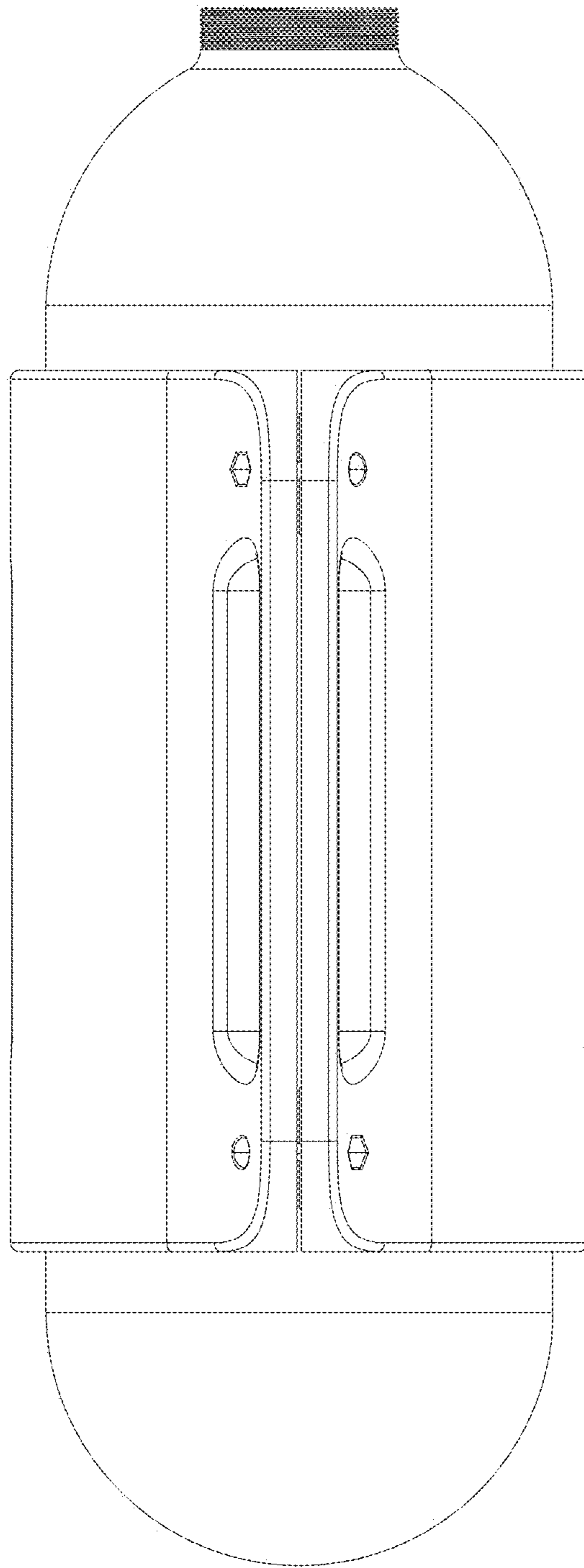


FIG.3

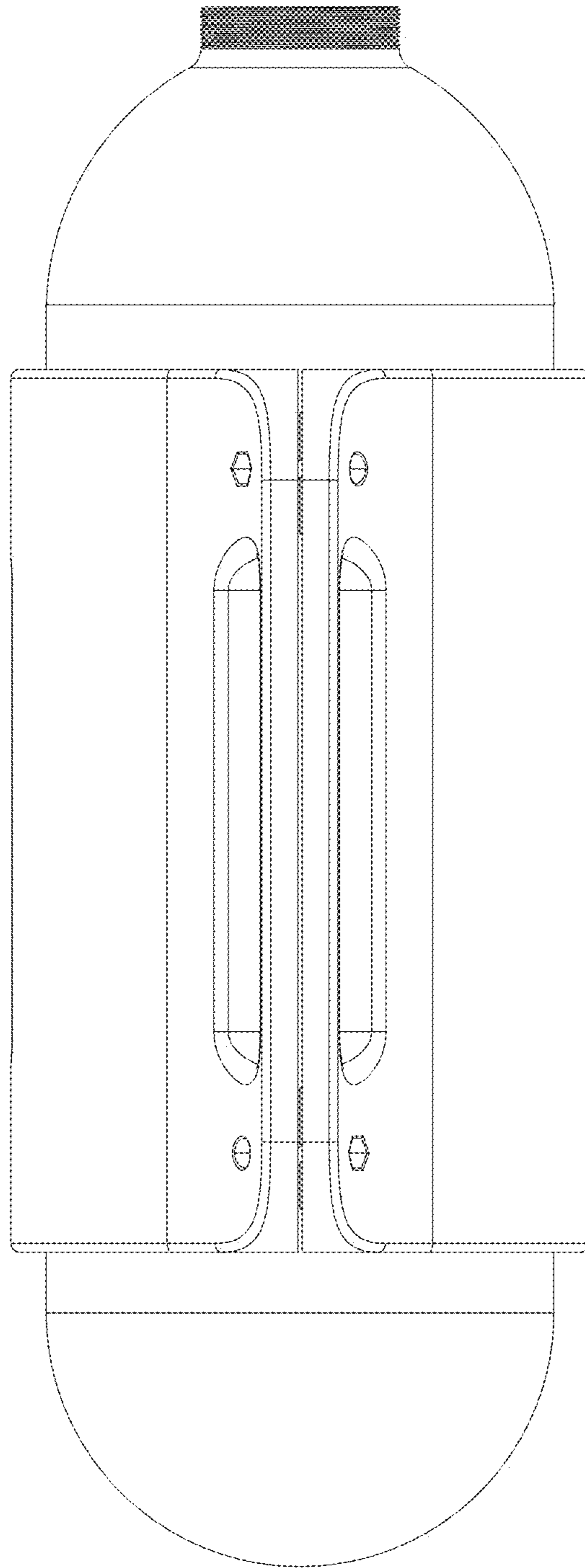


FIG. 4

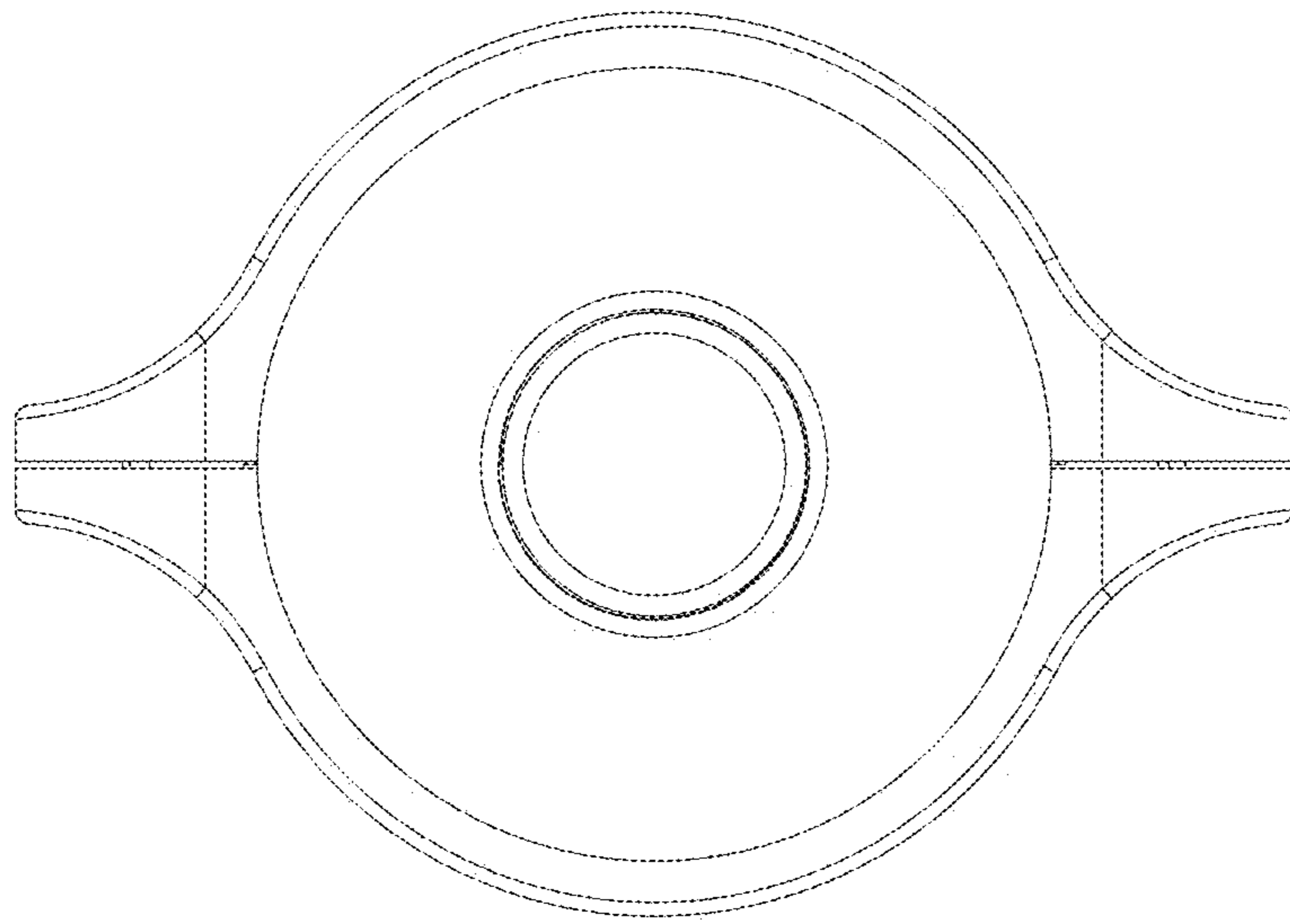


FIG.5

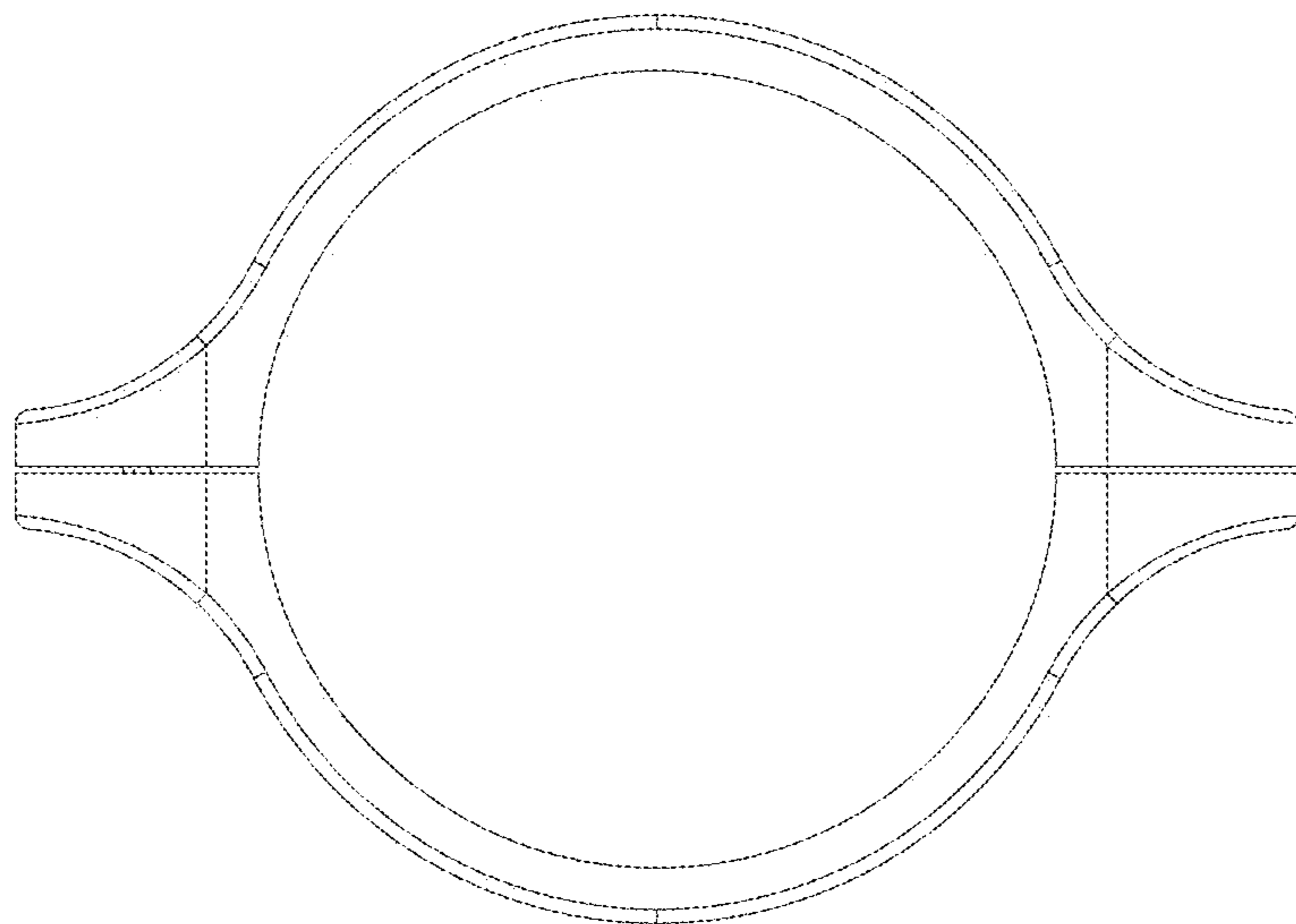


FIG.6

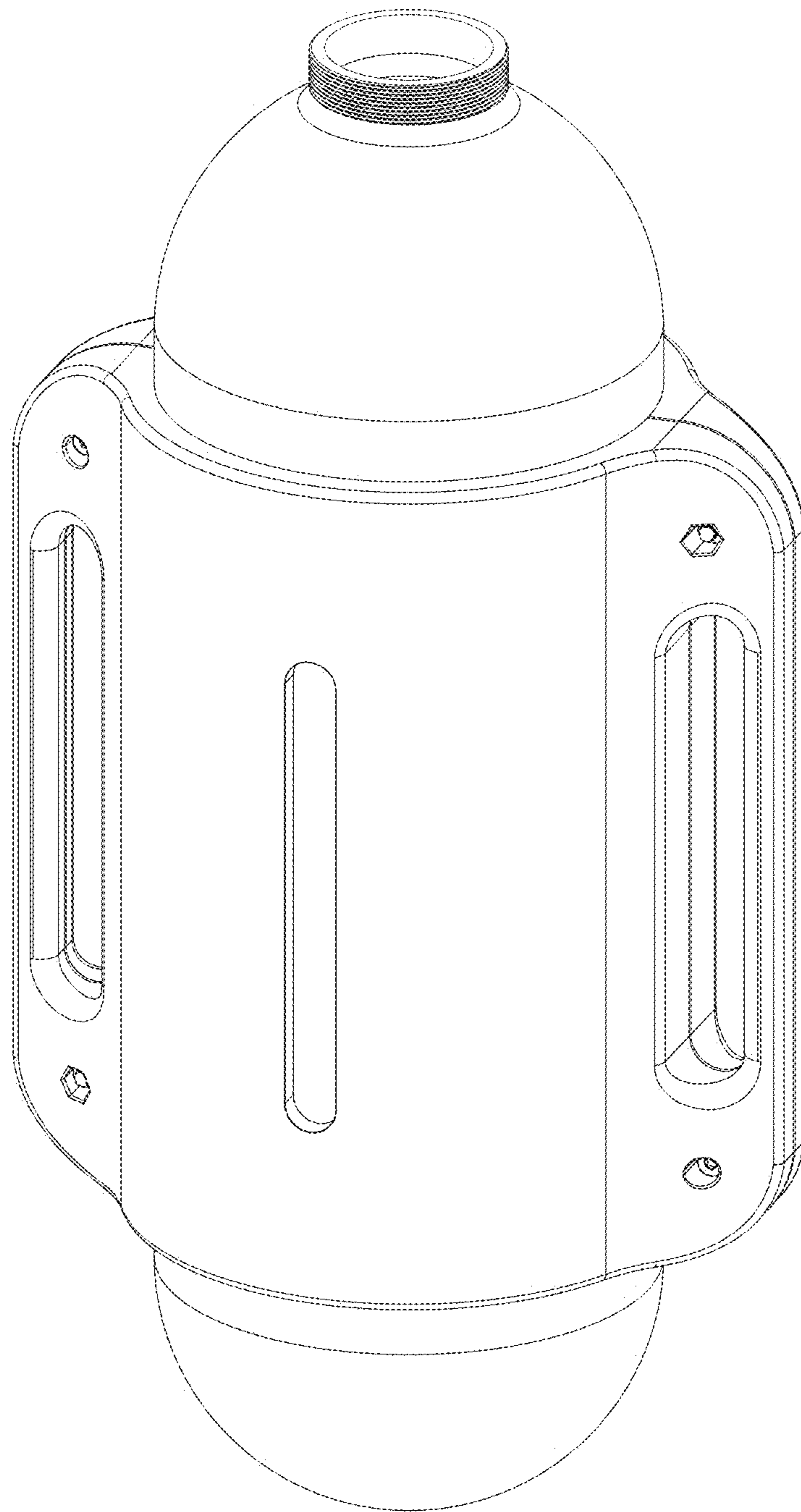


FIG.7

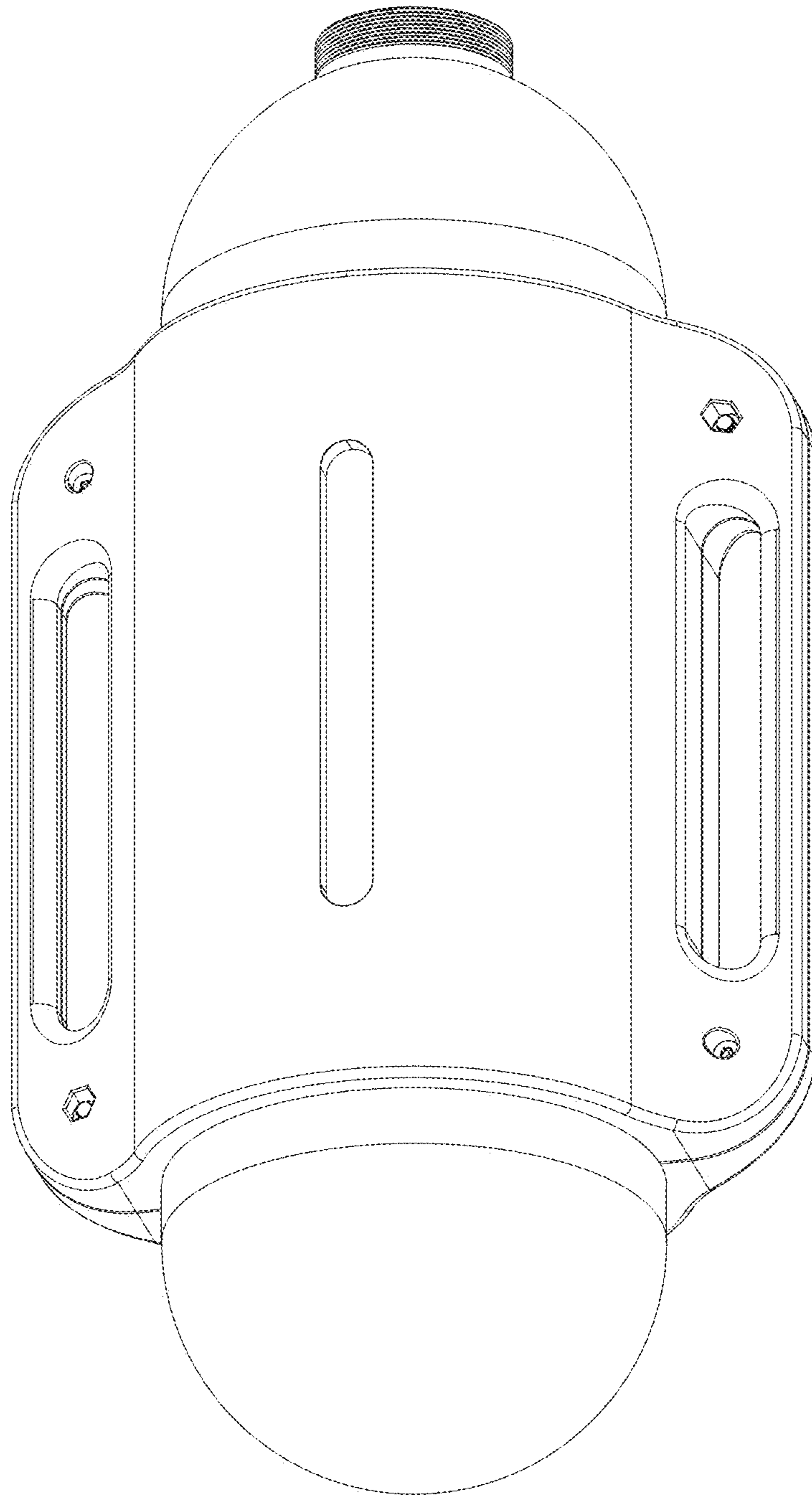


FIG.8