



US00D901087S

(12) **United States Design Patent** (10) **Patent No.:** **US D901,087 S**
Berggren et al. (45) **Date of Patent:** **** Nov. 3, 2020**

- (54) **OUTER SHIELD CONTOUR LINE**
- (71) Applicant: **3M INNOVATIVE PROPERTIES COMPANY**, St. Paul, MN (US)
- (72) Inventors: **Martin A. J. M. Berggren**, Tällberg (SE); **Oskar E. Juhlin**, Gustavsberg (SE)
- (73) Assignee: **3M Innovative Properties Company**, St. Paul, MN (US)
- (**) Term: **15 Years**
- (21) Appl. No.: **29/642,934**
- (22) Filed: **Apr. 3, 2018**

Related U.S. Application Data

- (63) Continuation of application No. 29/618,738, filed on Sep. 22, 2017, now abandoned.
- (51) **LOC (12) Cl.** **29-02**
- (52) **U.S. Cl.**
USPC **D29/122**
- (58) **Field of Classification Search**
USPC D29/102-107, 122; 2/5, 6.1, 6.3, 6.7, 2/41-412, 414, 422-425, 9, 10; D2/869, D2/870, 872, 882, 884, 891
CPC A42B 3/00; A42B 3/127; F41H 1/08
See application file for complete search history.

(56) **References Cited**

U.S. PATENT DOCUMENTS

D255,283 S	6/1980	Piche
4,825,878 A	5/1989	Kuntz et al.
D340,546 S	10/1993	Kamata
5,302,815 A	4/1994	Eggenschwiler
D360,058 S	7/1995	Reede
6,161,225 A	12/2000	Arai

6,185,739 B1	2/2001	Verkic et al.
D489,492 S	5/2004	Wu
D504,195 S	4/2005	Canavan et al.
D517,745 S	3/2006	Lee et al.
D527,846 S	9/2006	Isenbarger
D540,990 S	4/2007	Huh
D584,008 S	12/2008	Juhlin
7,520,630 B2	4/2009	Murphy
D592,811 S	5/2009	Juhlin
D597,709 S	8/2009	Juhlin
D604,911 S	11/2009	Juhlin
D659,911 S	5/2012	Zeppetzauser
D667,591 S	9/2012	Juhlin et al.
D668,001 S	9/2012	Juhlin et al.
D669,227 S	10/2012	Wang
D674,150 S	1/2013	Juhlin et al.
8,701,212 B2	4/2014	Daniels et al.
8,990,963 B2	3/2015	Matthews et al.
D751,767 S	3/2016	Shida
D775,427 S	12/2016	Zhou
9,596,902 B2	3/2017	Daniels et al.
D793,007 S	7/2017	Yang
D819,892 S	6/2018	Lee
2011/0101890 A1	5/2011	Robinson

FOREIGN PATENT DOCUMENTS

CN 106859847 6/2017

Primary Examiner — Michael A. Pratt

(74) *Attorney, Agent, or Firm* — Johannes P. M. Kusters

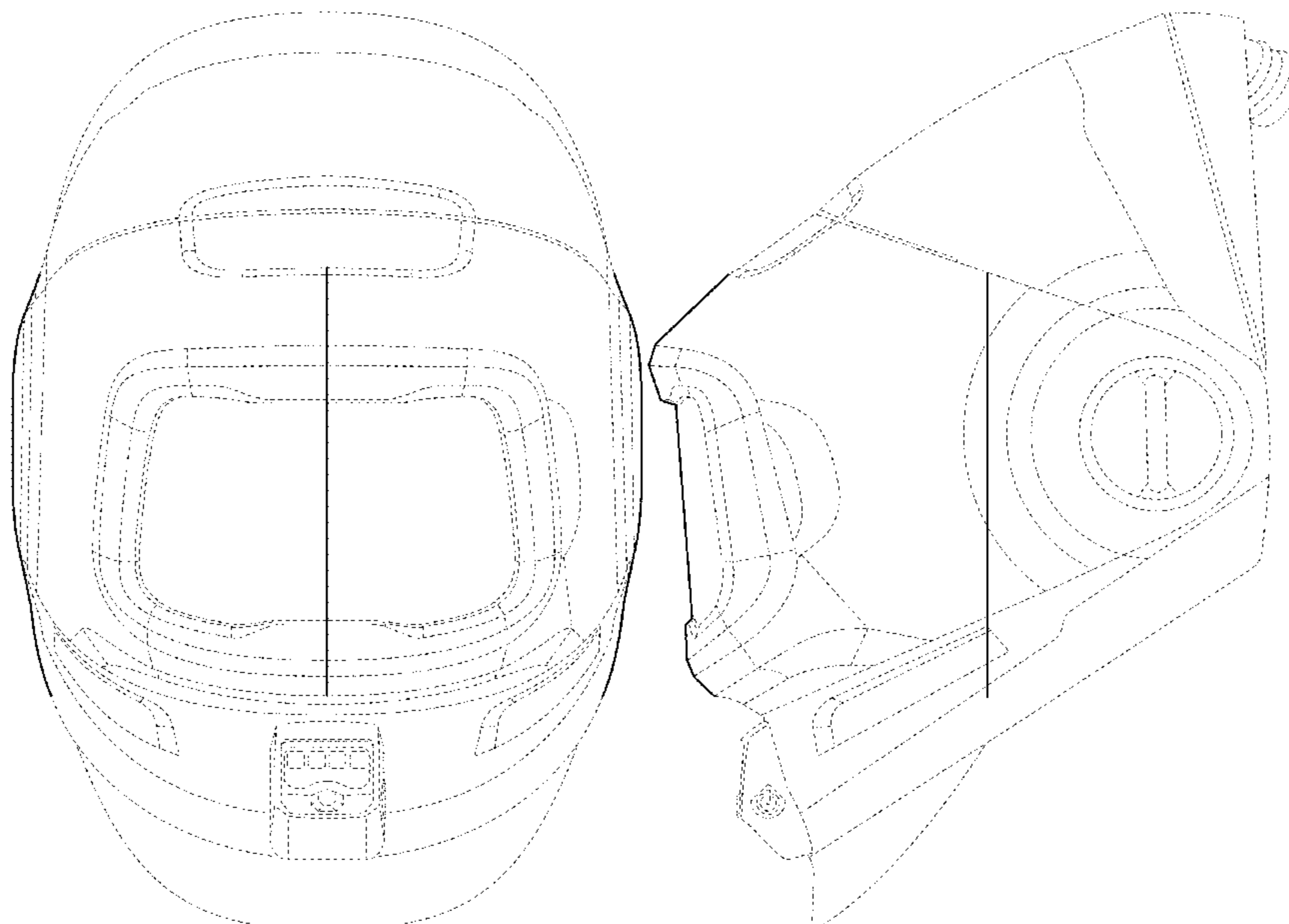
(57) **CLAIM**

The ornamental design for an outer shield contour line, as shown and described.

DESCRIPTION

FIG. 1 is a front view showing the new design for an outer shield contour line for a welding helmet; and, FIG. 2 is a back view thereof. The broken line showing forms no part of the claimed design.

1 Claim, 4 Drawing Sheets



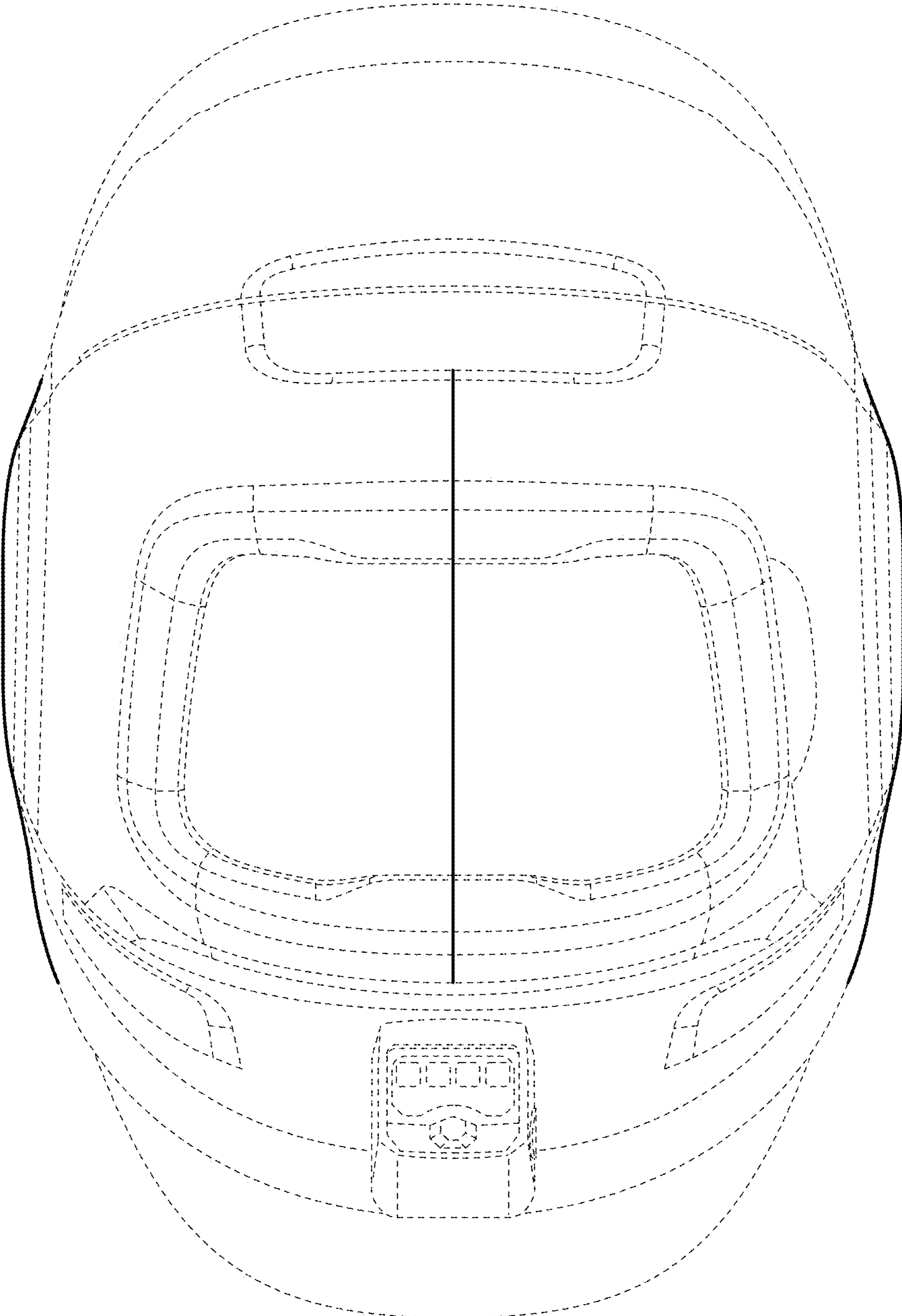


FIG. 1

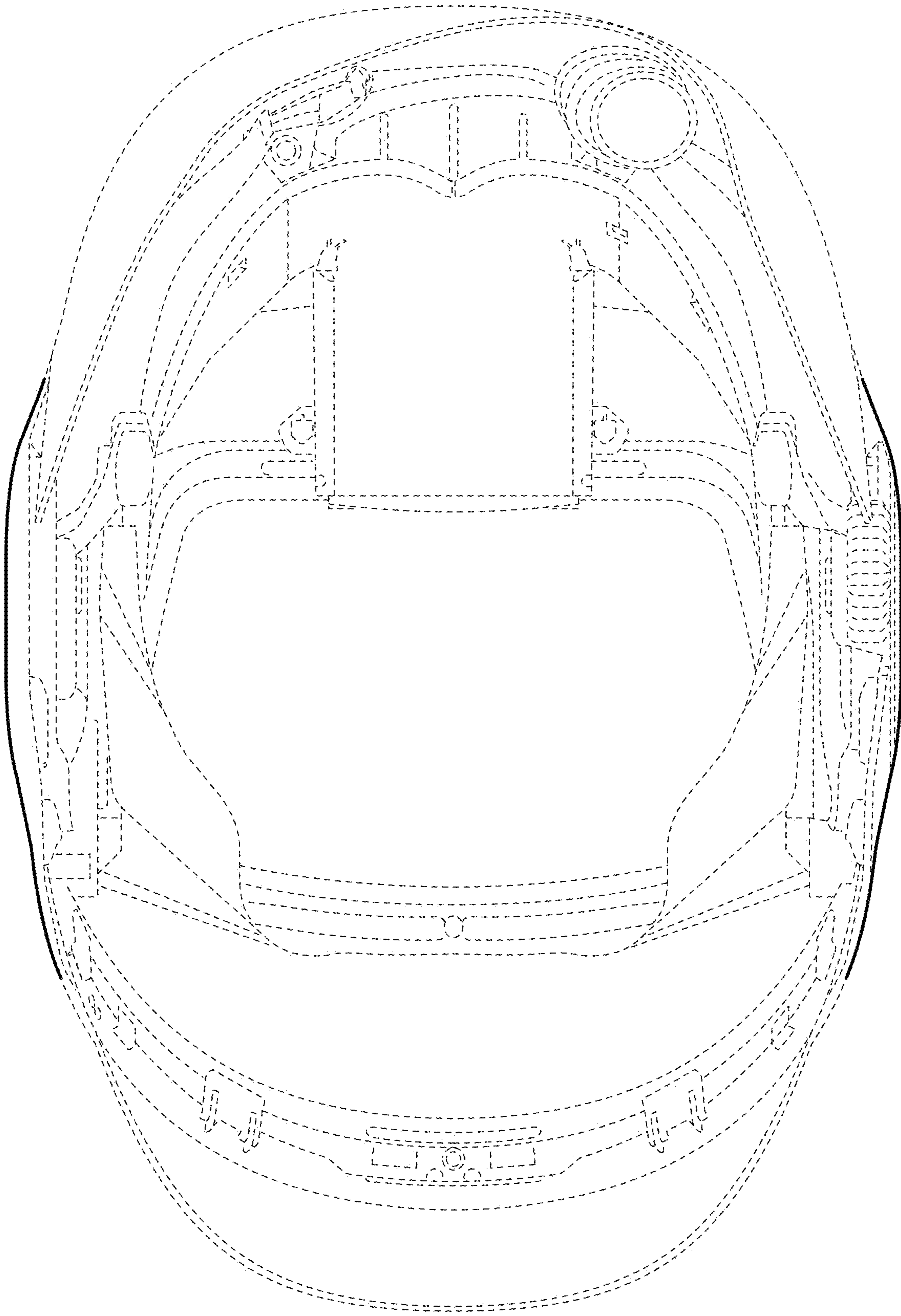


FIG. 2

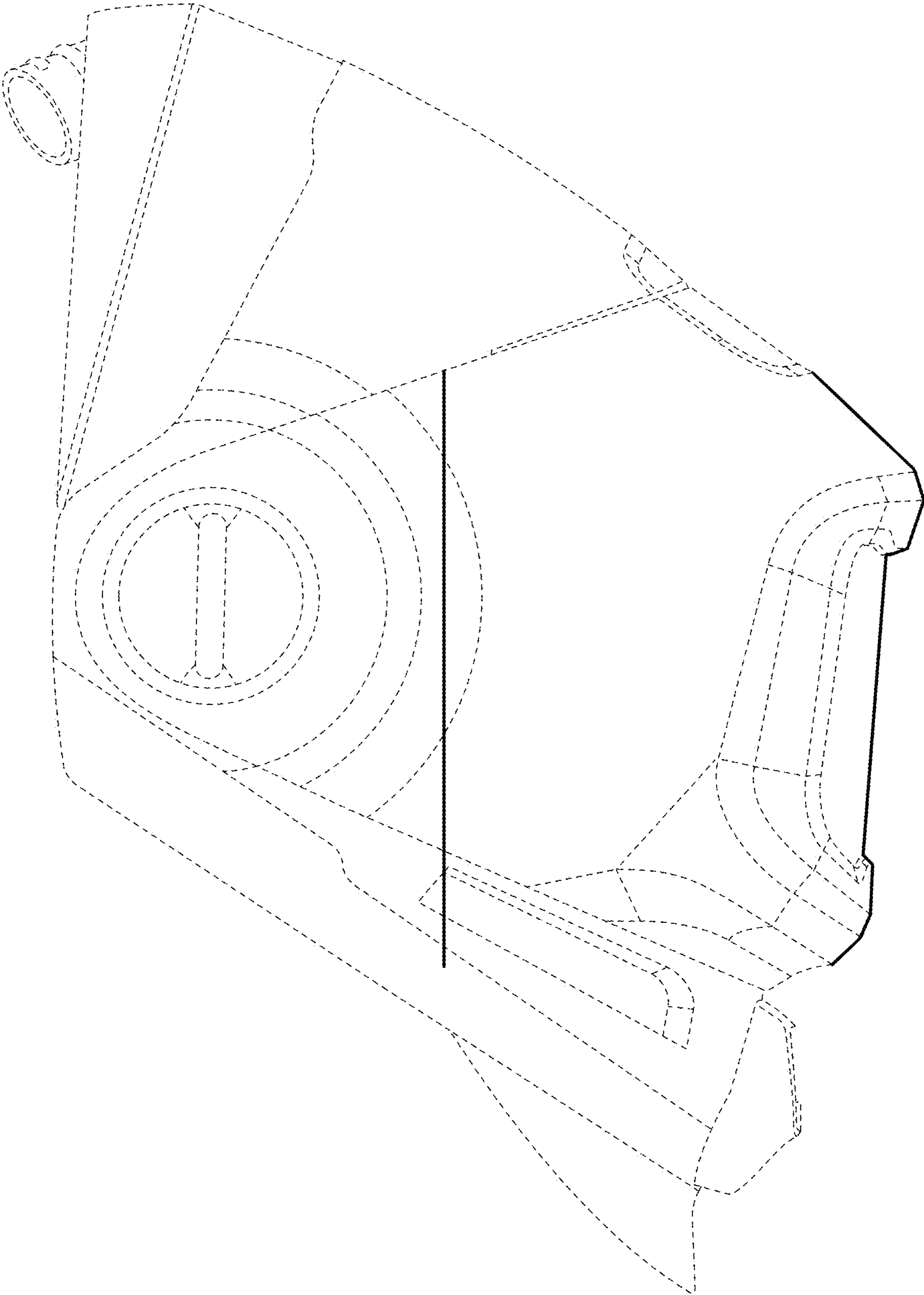


FIG. 3

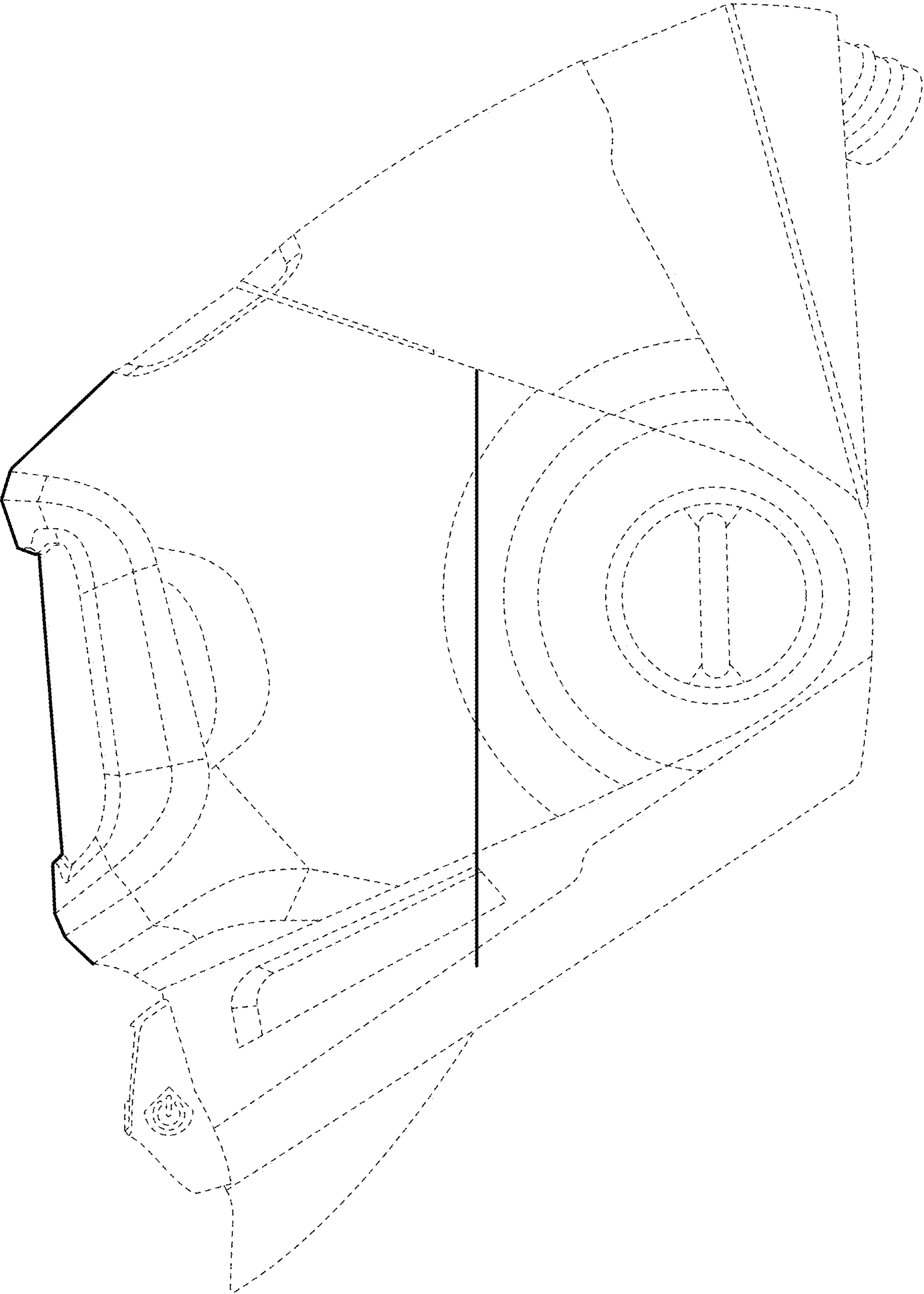


FIG. 4

UNITED STATES PATENT AND TRADEMARK OFFICE
CERTIFICATE OF CORRECTION

PATENT NO. : D901,087 S
APPLICATION NO. : 29/642934
DATED : November 3, 2020
INVENTOR(S) : Martin Berggren

Page 1 of 1

It is certified that error appears in the above-identified patent and that said Letters Patent is hereby corrected as shown below:

On the Title Page

Item (57), Column 2 (Description):

Line 2, delete "helmet; and," and insert -- helmet; -- therefor.

Line 3, delete "thereof." and insert -- thereof; -- therefor.

Line 3, insert the following below "thereof." -- FIG. 3 is a right side view thereof; and, FIG. 4 is a left side view thereof. --.

Signed and Sealed this
Sixteenth Day of February, 2021



Drew Hirshfeld
*Performing the Functions and Duties of the
Under Secretary of Commerce for Intellectual Property and
Director of the United States Patent and Trademark Office*