



US00D901081S

(12) **United States Design Patent** (10) **Patent No.:** **US D901,081 S**
Tang (45) **Date of Patent:** **** Nov. 3, 2020**

(54) **FOOT GRINDER** D820,522 S * 6/2018 Colin D28/58
D824,596 S * 7/2018 Gobber A45D 29/00
D28/58
(71) Applicant: **PROTV DEVELOPMENT INC.,** 10,045,795 B2 * 8/2018 Yiu A45D 29/05
Taipei (TW) D850,724 S * 6/2019 Luo D28/58
D865,293 S * 10/2019 Adams D28/58
(72) Inventor: **Jack Tang,** New Taipei (TW) 2014/0025091 A1 * 1/2014 Yiu A45D 44/00
606/131
(73) Assignee: **PROTV DEVELOPMENT INC.,** 2015/0374409 A1 * 12/2015 Chopdat A61H 7/005
Taipei (TW) 606/131
2017/0209175 A1 * 7/2017 Khubani A61B 17/54
2018/0055540 A1 * 3/2018 Yiu A45D 29/05
(**) Term: **15 Years** 2019/0269432 A1 * 9/2019 Locke A61B 17/3205

(21) Appl. No.: **29/686,929**

OTHER PUBLICATIONS

(22) Filed: **Apr. 9, 2019**

Electric Callus Remover, www.amazon.com, 1 page, reviewed as early as Feb. 2020 <https://www.amazon.com/Electric-Remover-Powerful-Pedicure-Rechargeable/dp/B081PPQQWH> (Year: 2020).*

(30) **Foreign Application Priority Data**

Feb. 26, 2019 (TW) 108301091

* cited by examiner

(51) **LOC (12) Cl.** **28-03**

Primary Examiner — Jennifer Rivard

(52) **U.S. Cl.**

(74) *Attorney, Agent, or Firm* — Muncy, Geissler, Olds & Lowe, P.C.

USPC **D28/58**; D28/59

(58) **Field of Classification Search**

USPC D28/58–59; D24/146, 212–213

CPC A61B 17/54; A61B 2017/320004; A45D

29/00; A45D 29/05; A45D 29/14; A45D

2200/1054

(57) **CLAIM**

The ornamental design for a foot grinder, as shown.

See application file for complete search history.

DESCRIPTION

(56) **References Cited**

FIG. 1 is a perspective view of a foot grinder, showing the new design;

FIG. 2 is a front elevational view thereof;

FIG. 3 is a rear elevational view thereof;

FIG. 4 is a left side elevational view thereof;

FIG. 5 is a right side elevational view thereof;

FIG. 6 is a top plan view thereof; and,

FIG. 7 is a bottom plan view thereof.

U.S. PATENT DOCUMENTS

D676,200 S * 2/2013 Yiu D28/58

D706,487 S * 6/2014 Yiu D28/62

D759,311 S * 6/2016 Khubani D28/58

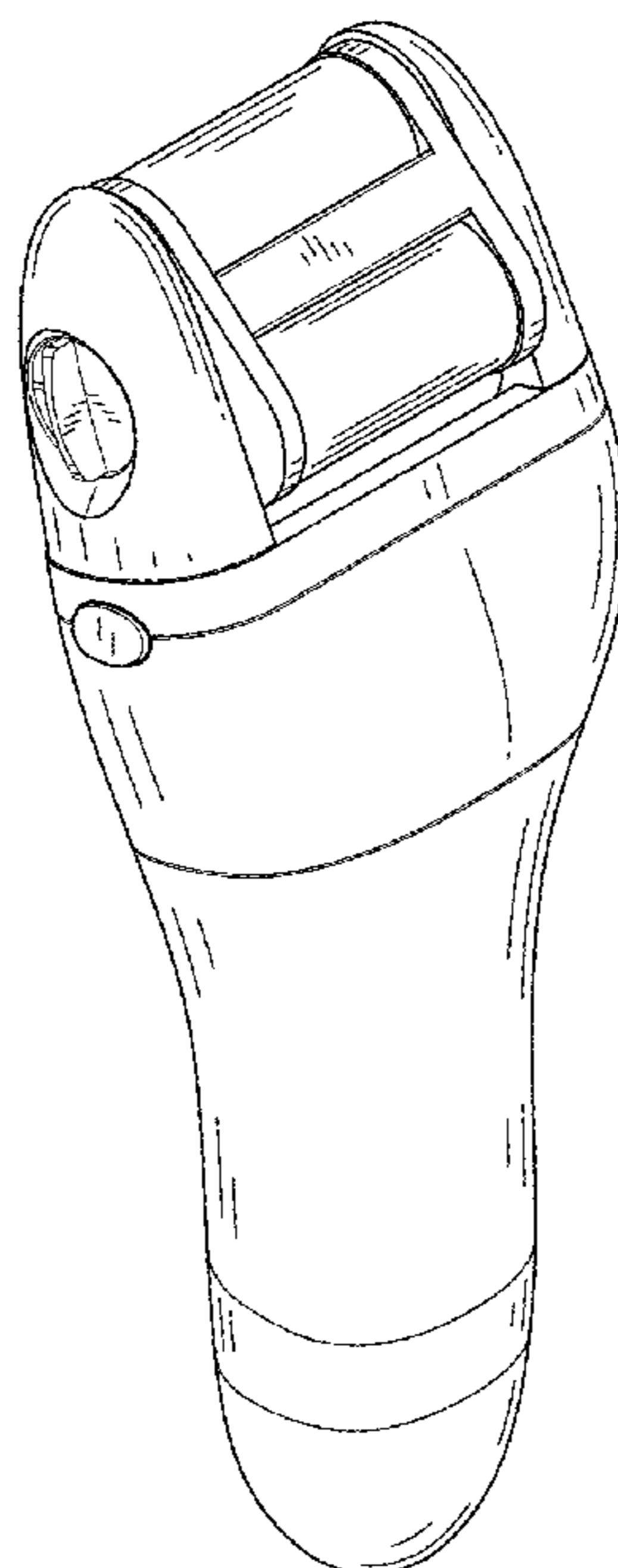
D761,490 S * 7/2016 Hollinger D28/58

9,579,251 B1 * 2/2017 Hollinger A61B 17/54

D781,498 S * 3/2017 Pel D28/58

D795,498 S * 8/2017 Hollinger D28/58

1 Claim, 5 Drawing Sheets



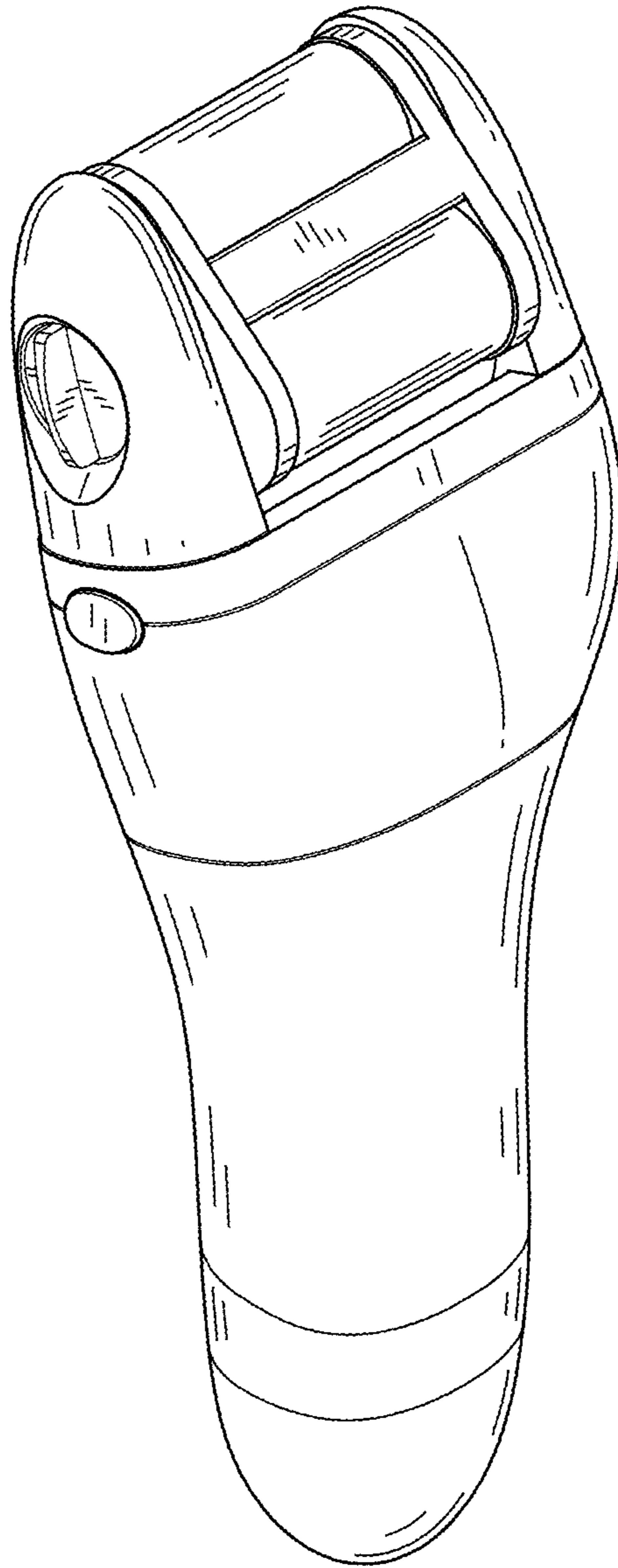


FIG. 1

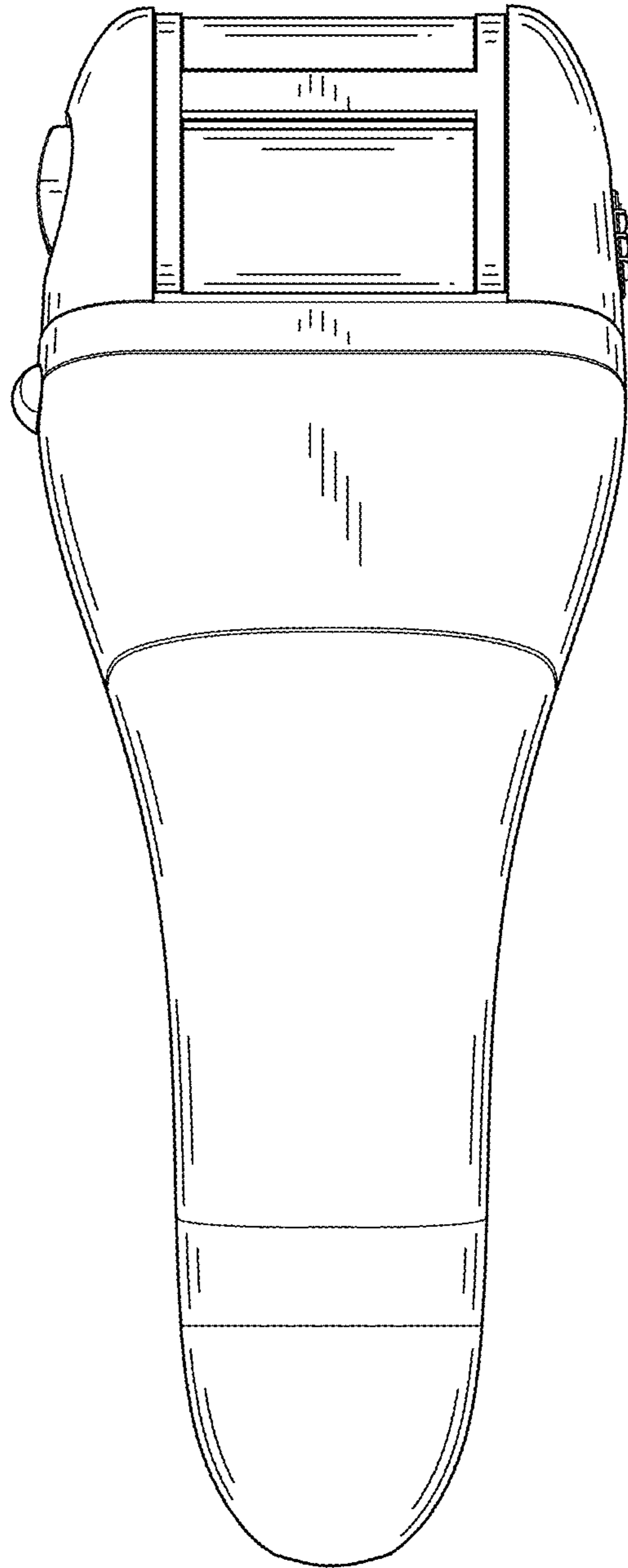


FIG. 2

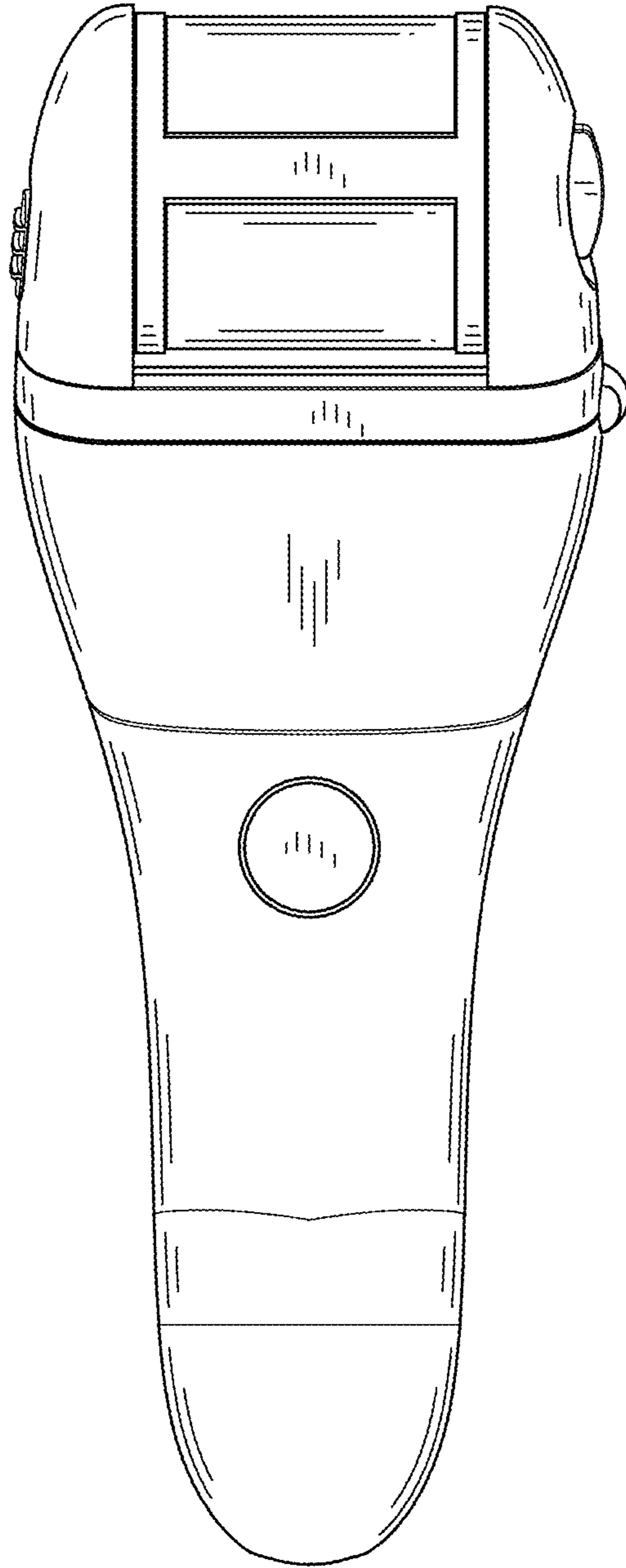


FIG. 3

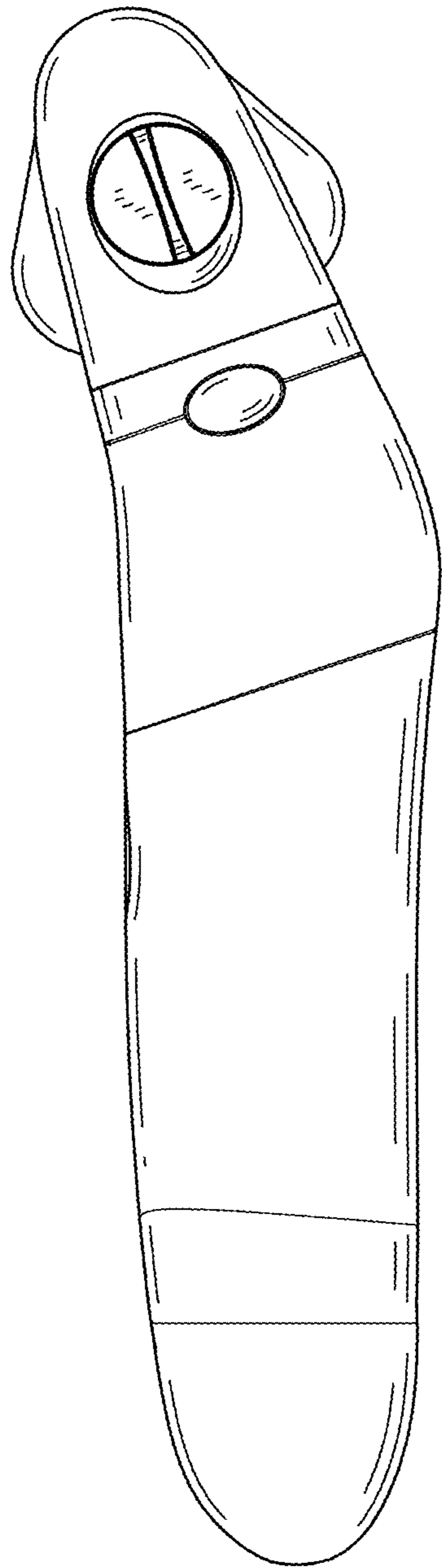


FIG. 4

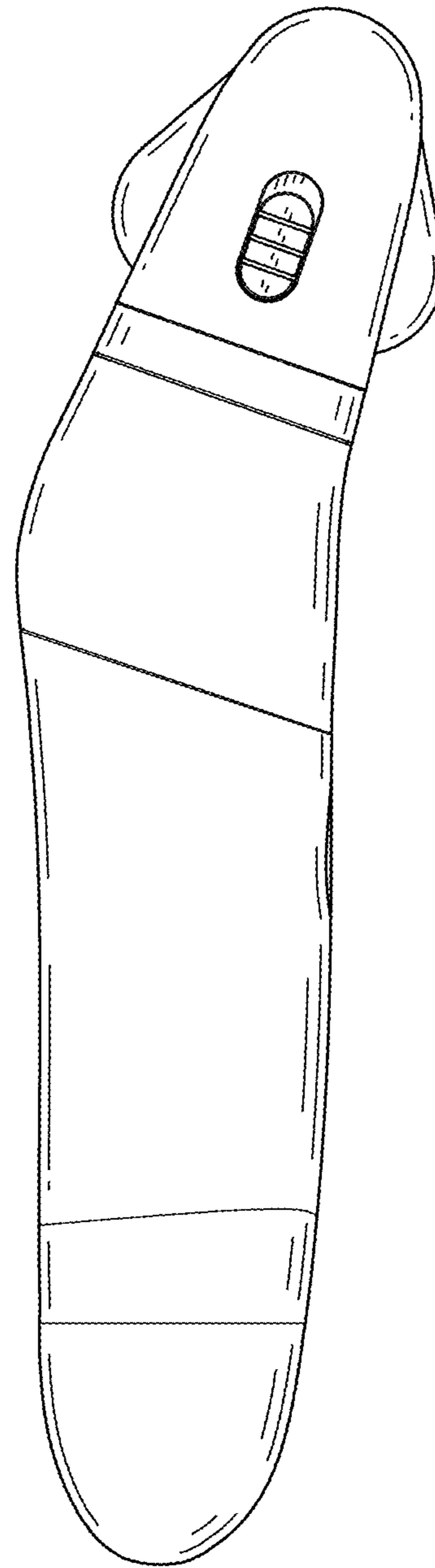


FIG. 5

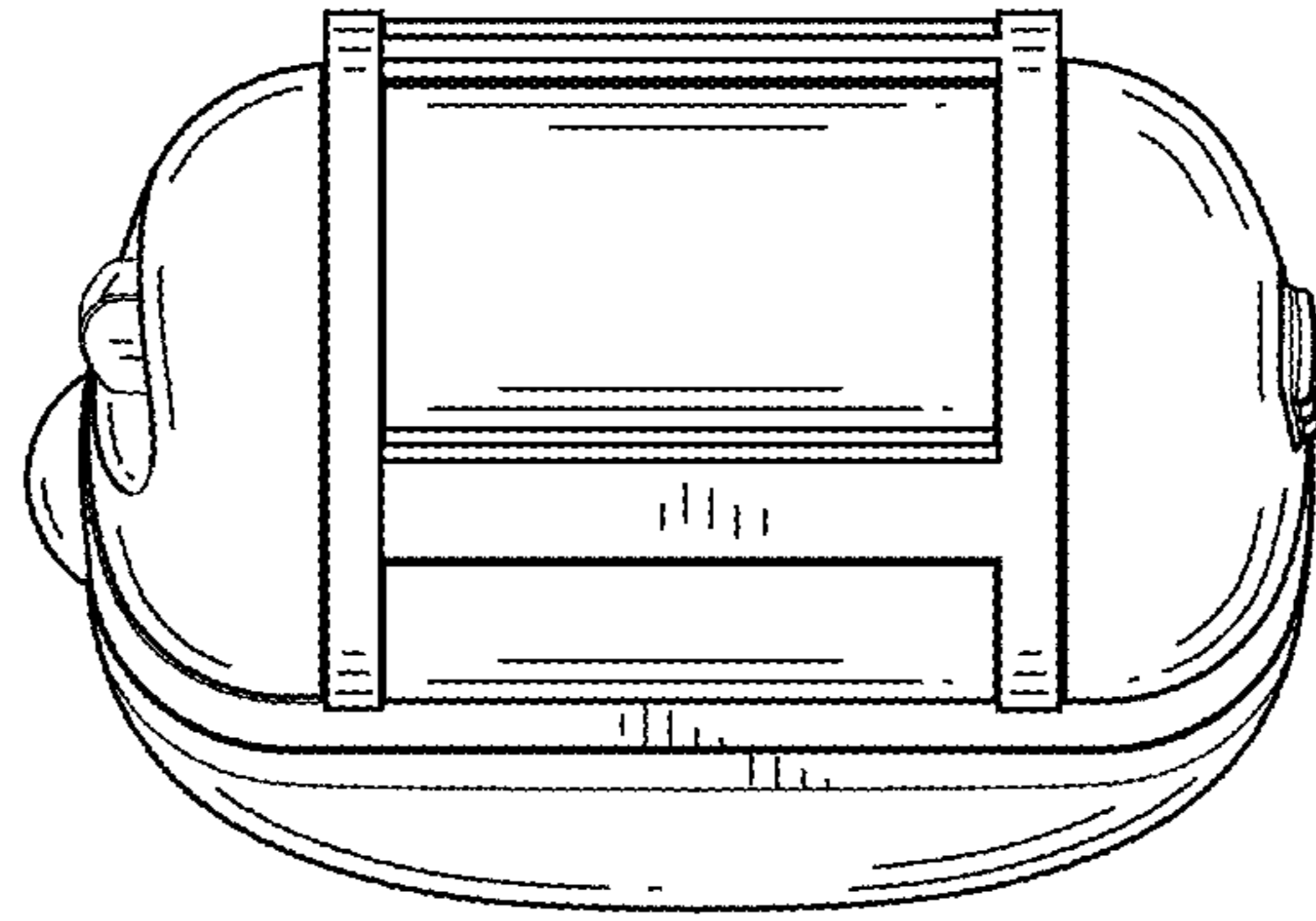


FIG. 6

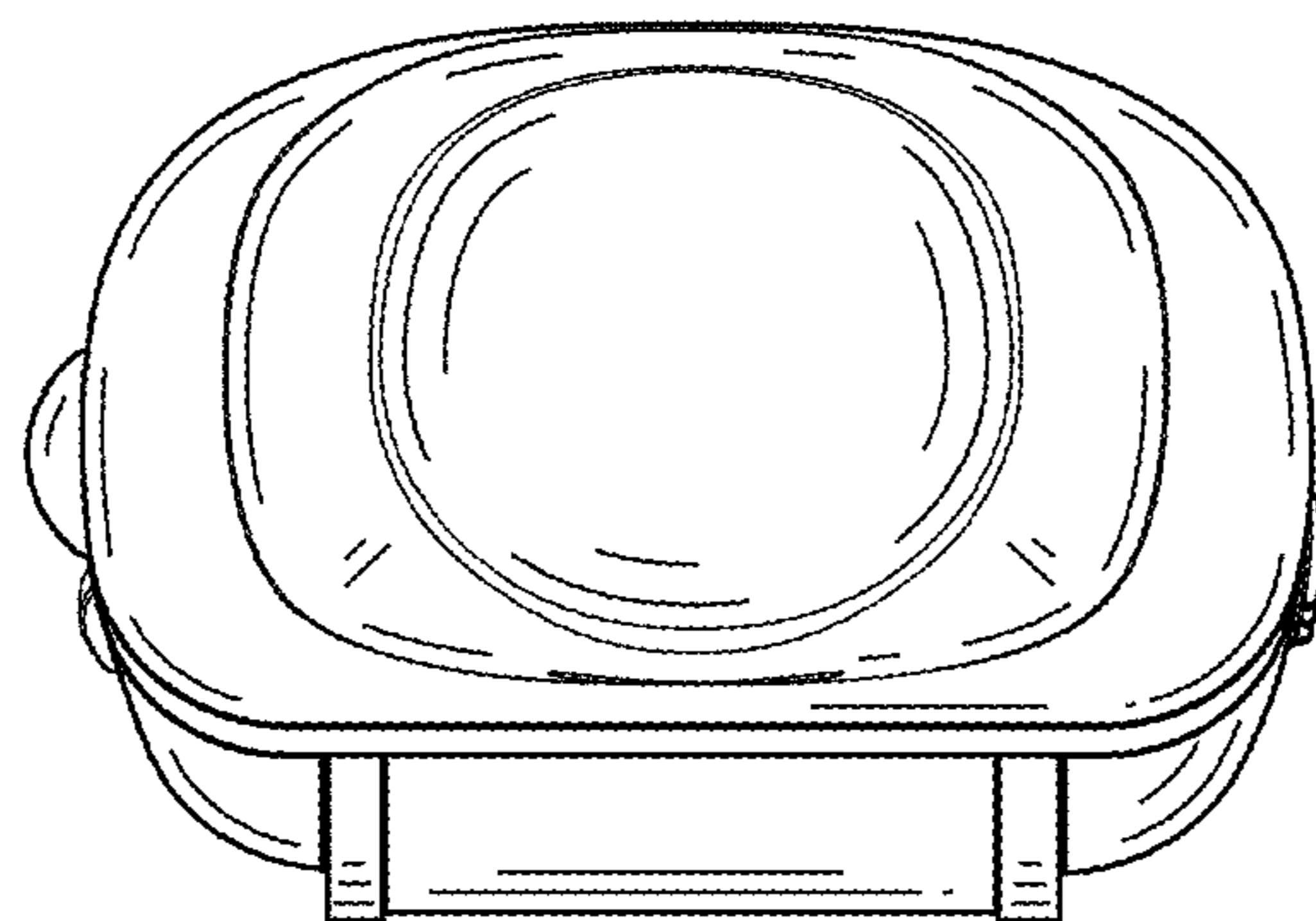


FIG. 7