



US00D901080S

(12) **United States Design Patent**
Hsu

(10) **Patent No.:** **US D901,080 S**

(45) **Date of Patent:** **** Nov. 3, 2020**

(54) **HAIR CLIP**

D590,102 S * 4/2009 Hsu D28/39
D669,217 S * 10/2012 Hsu D28/39

(71) Applicant: **Kuo-Yang Hsu**, Tainan (TW)

* cited by examiner

(72) Inventor: **Kuo-Yang Hsu**, Tainan (TW)

Primary Examiner — Zenia I Bennett

(**) Term: **15 Years**

(74) *Attorney, Agent, or Firm* — Alan D. Kamrath; Mayer & Williams PC

(21) Appl. No.: **29/704,675**

(22) Filed: **Sep. 6, 2019**

(51) **LOC (12) Cl.** **28-03**

(52) **U.S. Cl.**
USPC **D28/40**

(58) **Field of Classification Search**
USPC D28/39, 40, 42, 43
CPC ... A45D 8/00; A45D 8/24; A45D 8/28; A45D
8/30; A45D 8/32; A45D 8/34
See application file for complete search history.

(56) **References Cited**

U.S. PATENT DOCUMENTS

D200,086 S * 1/1965 Duerr D28/40
D505,226 S * 5/2005 Larprom D28/39

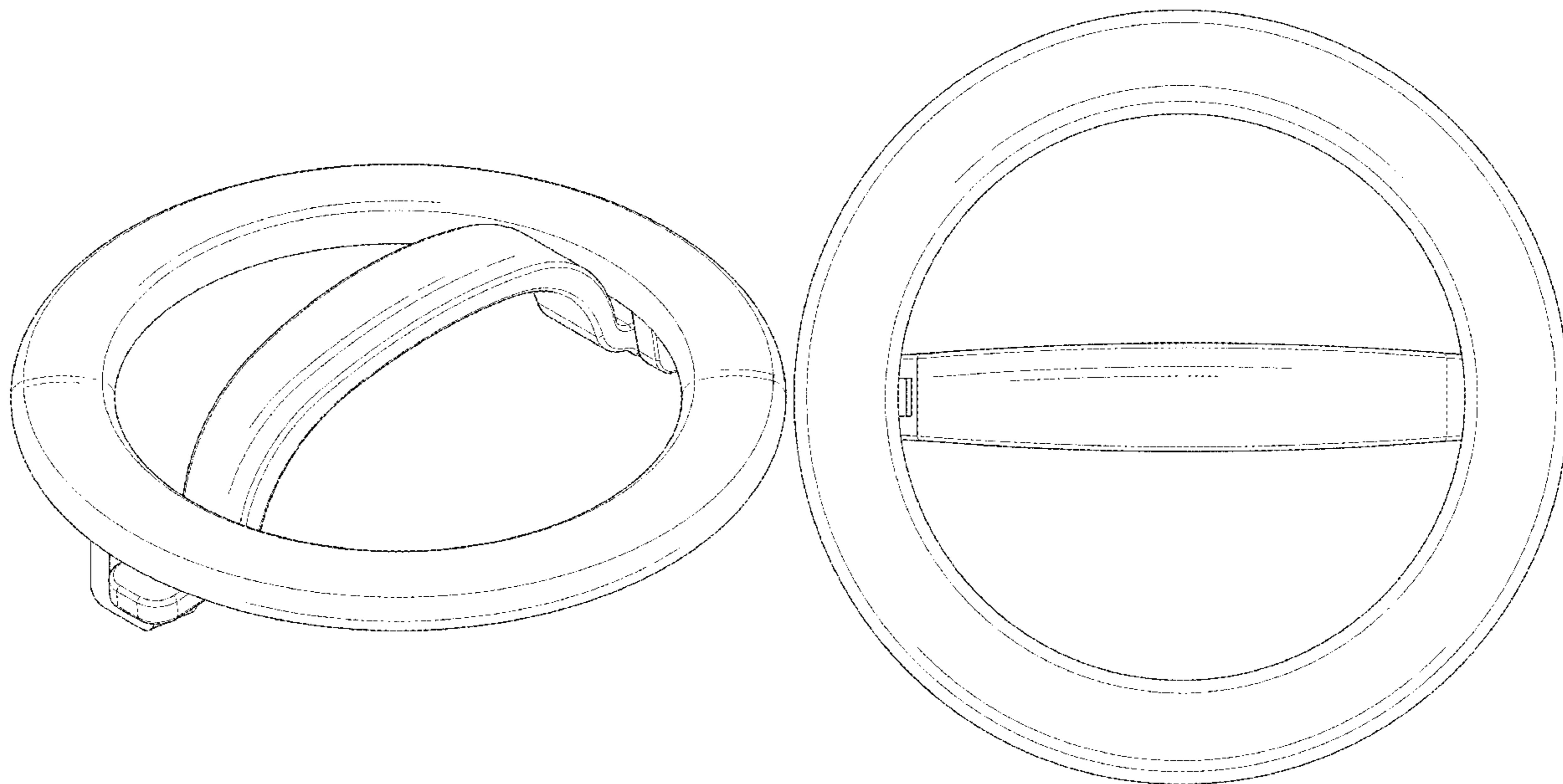
(57) **CLAIM**

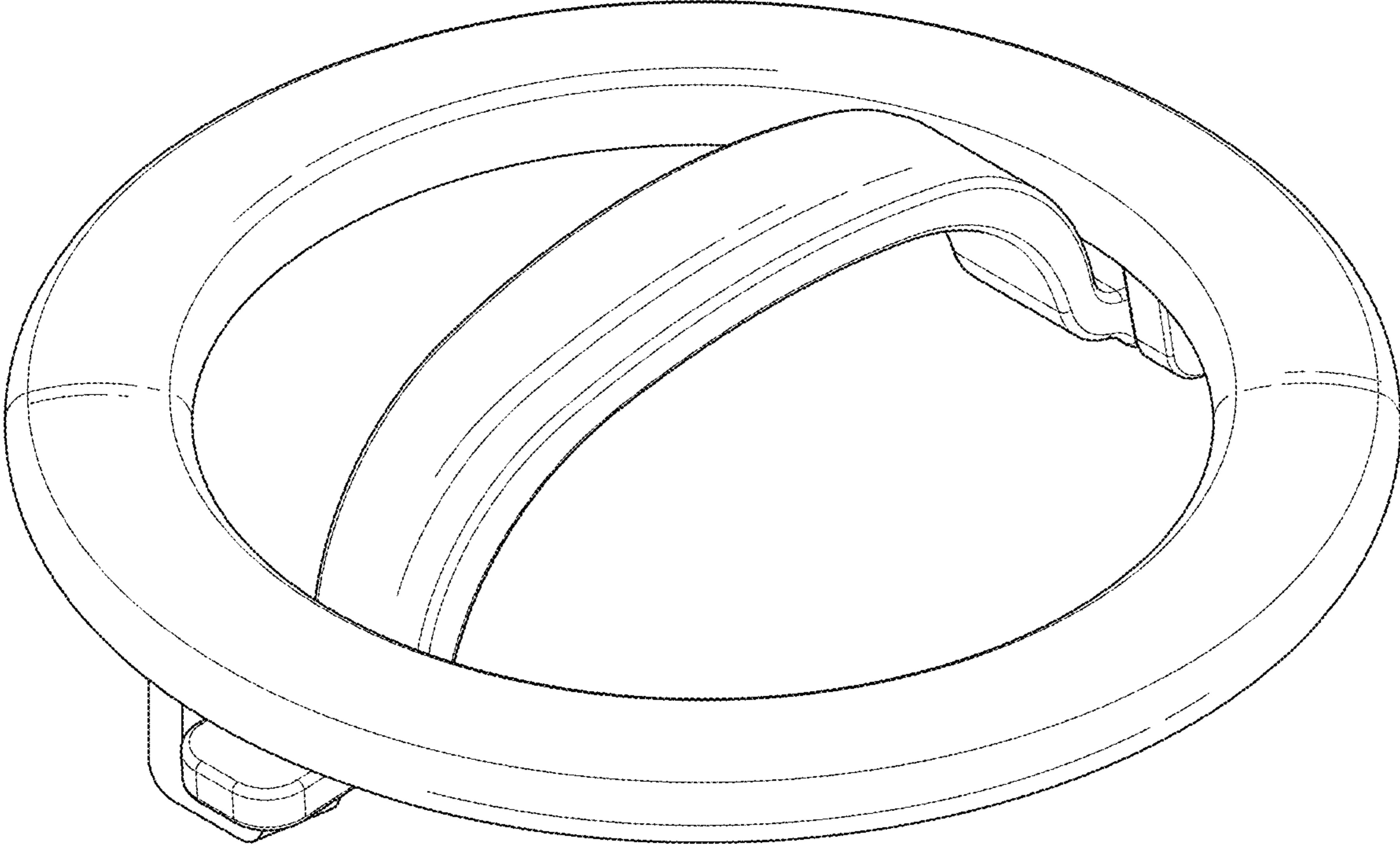
The ornamental design for the hair clip, as shown and described.

DESCRIPTION

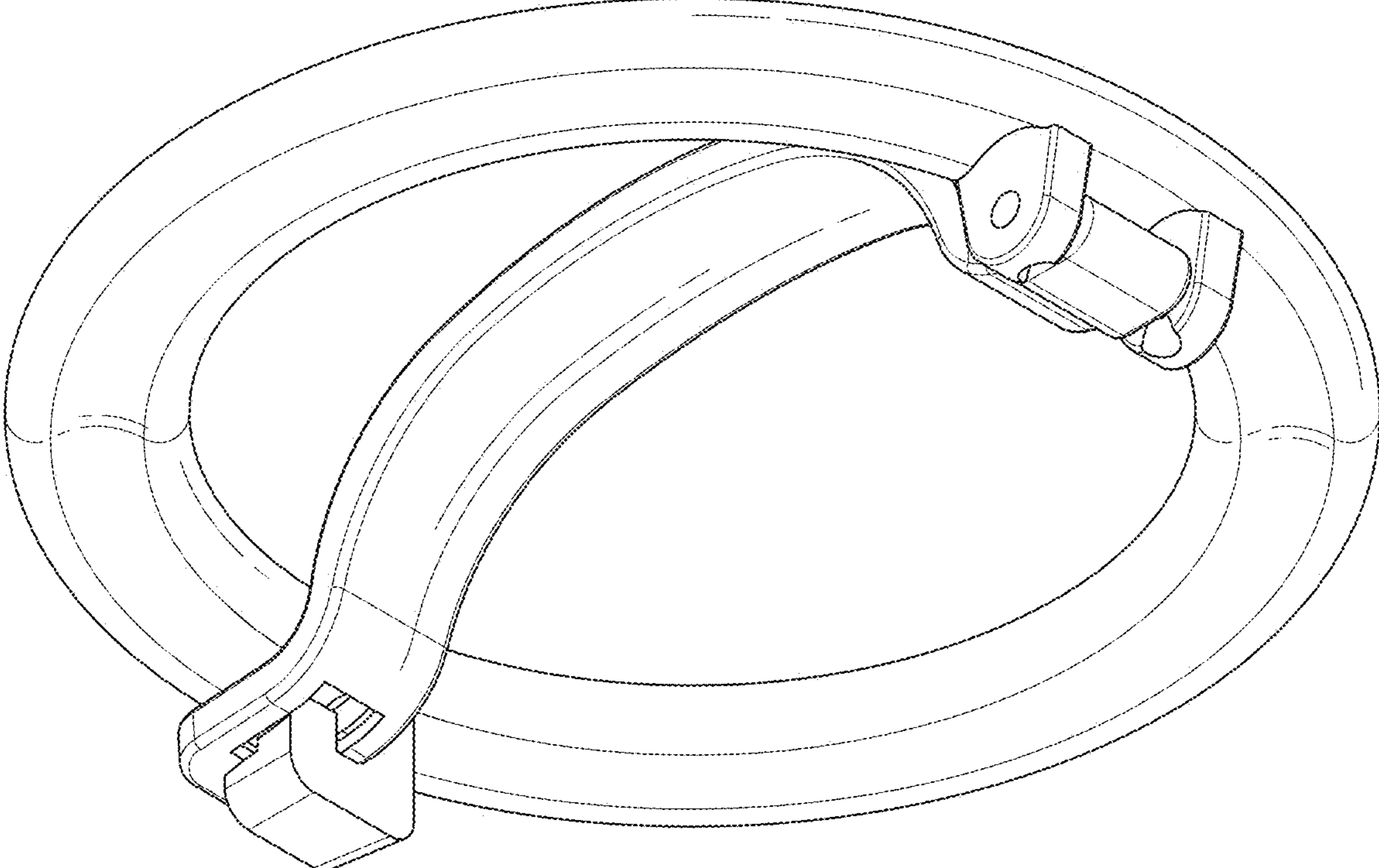
FIG. 1 is a perspective view of the hair clip showing my new design;
FIG. 2 is an another perspective view thereof;
FIG. 3 is a front elevation view thereof;
FIG. 4 is a rear elevation view thereof;
FIG. 5 is a left side elevation view thereof;
FIG. 6 is a right side elevation view thereof;
FIG. 7 is a top plan view thereof; and,
FIG. 8 is a bottom plan view thereof.

1 Claim, 8 Drawing Sheets





F I G . 1



F I G . 2

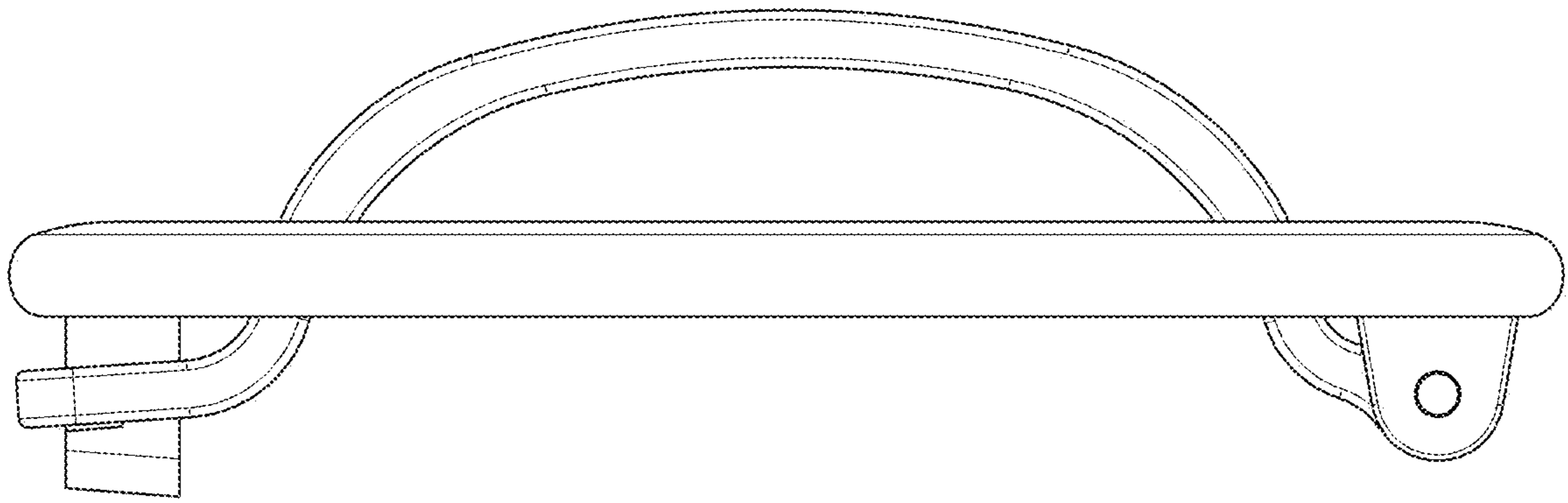
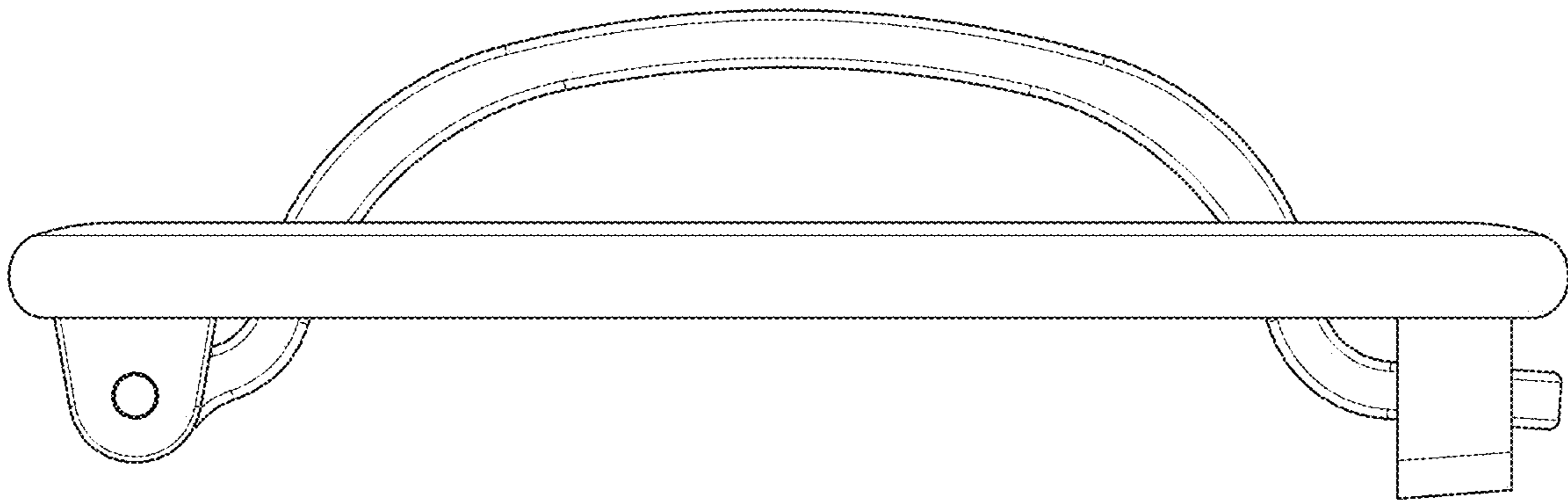


FIG. 3



F I G . 4

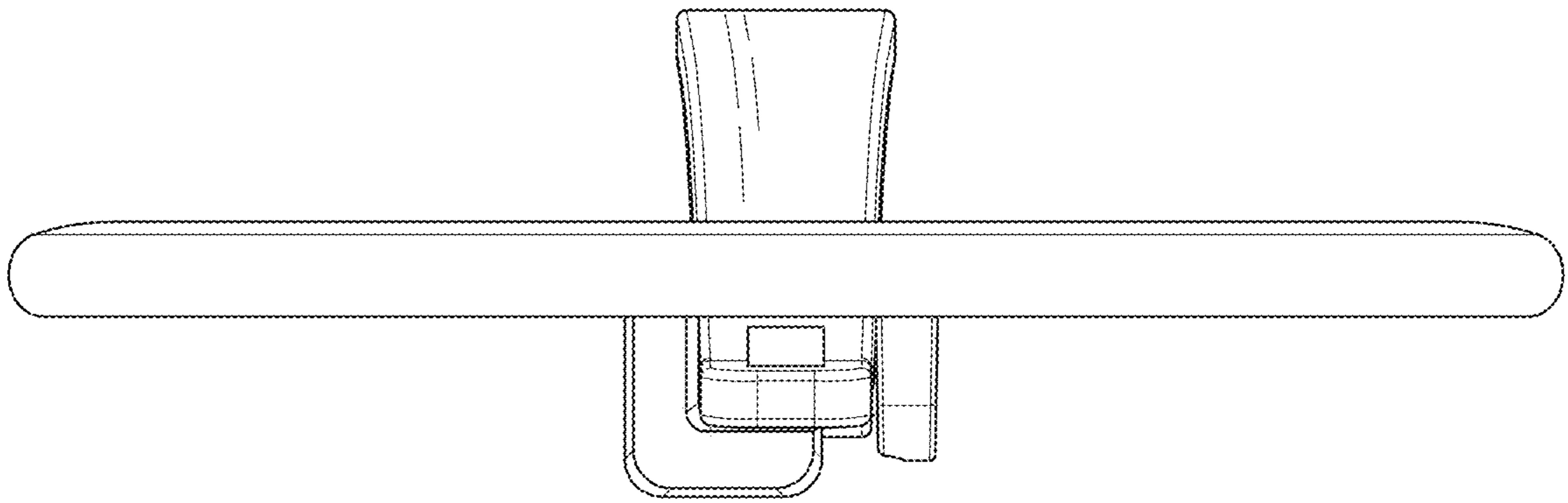
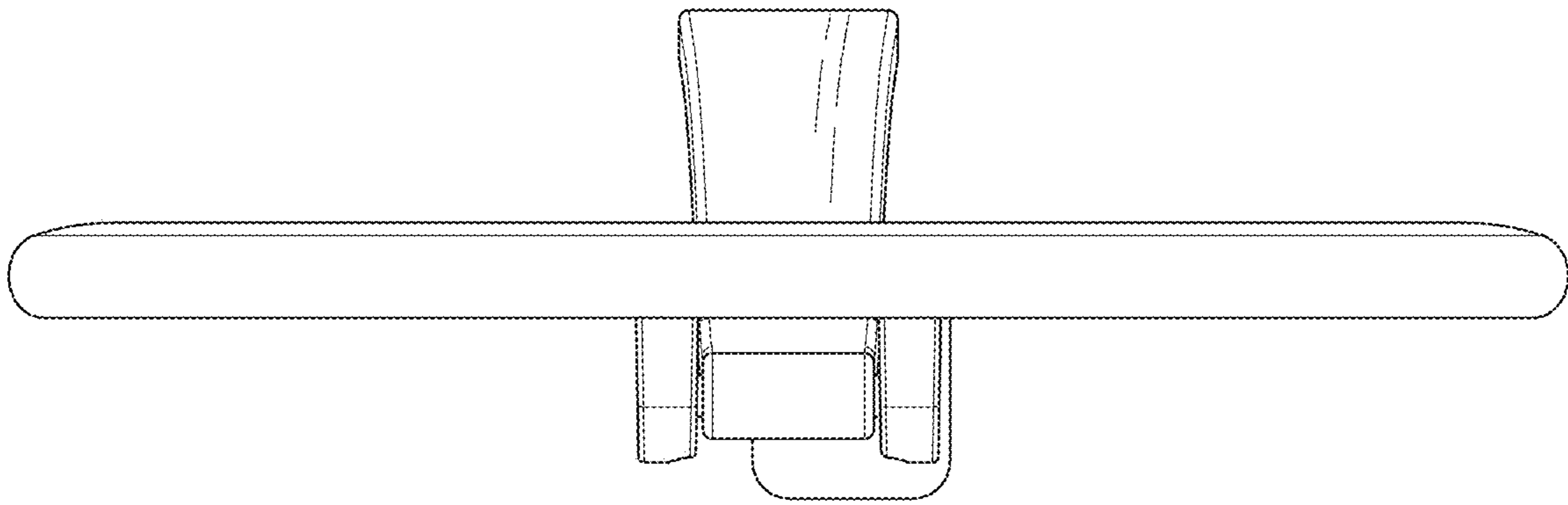


FIG. 5



F I G . 6

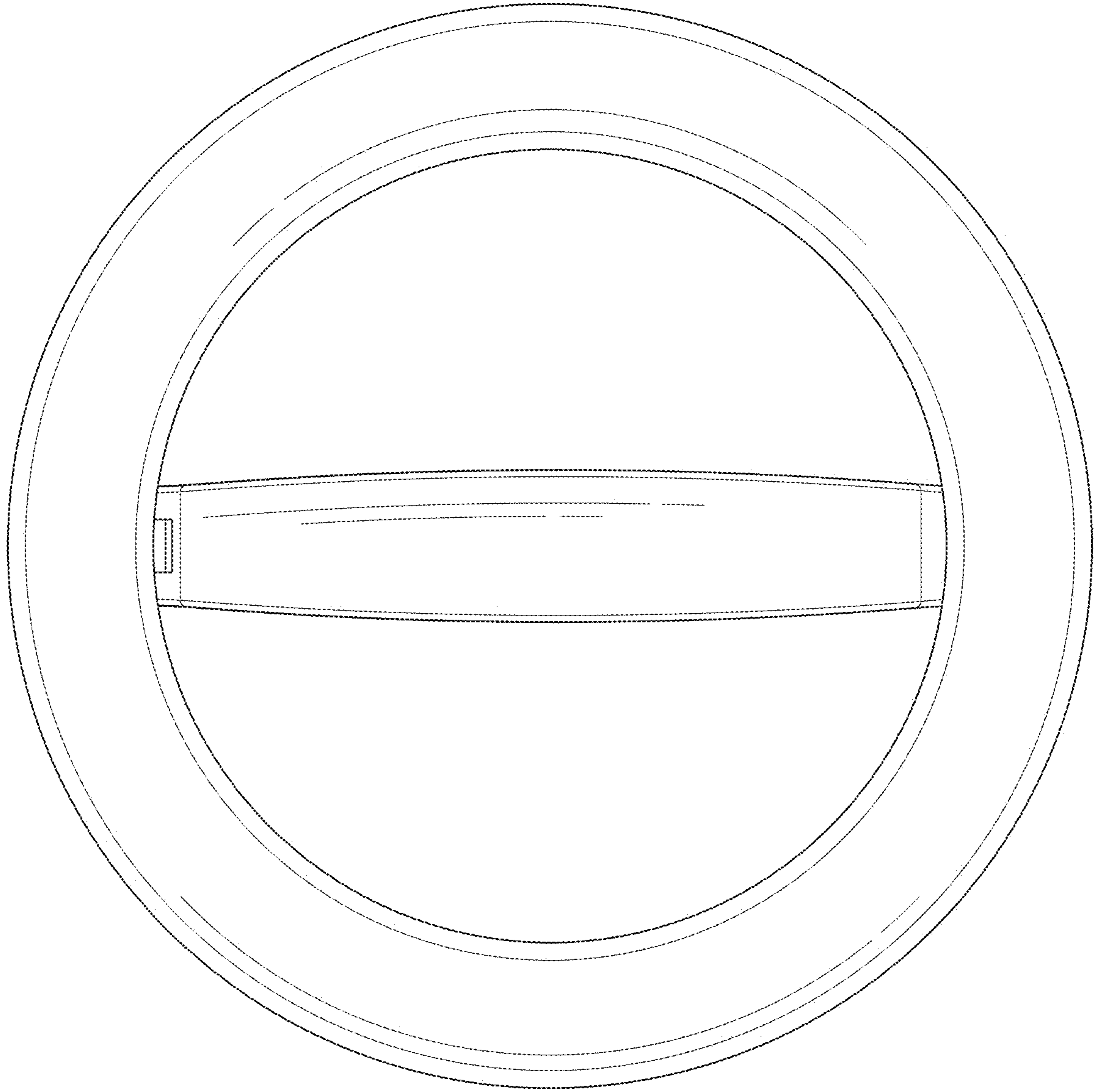


FIG. 7

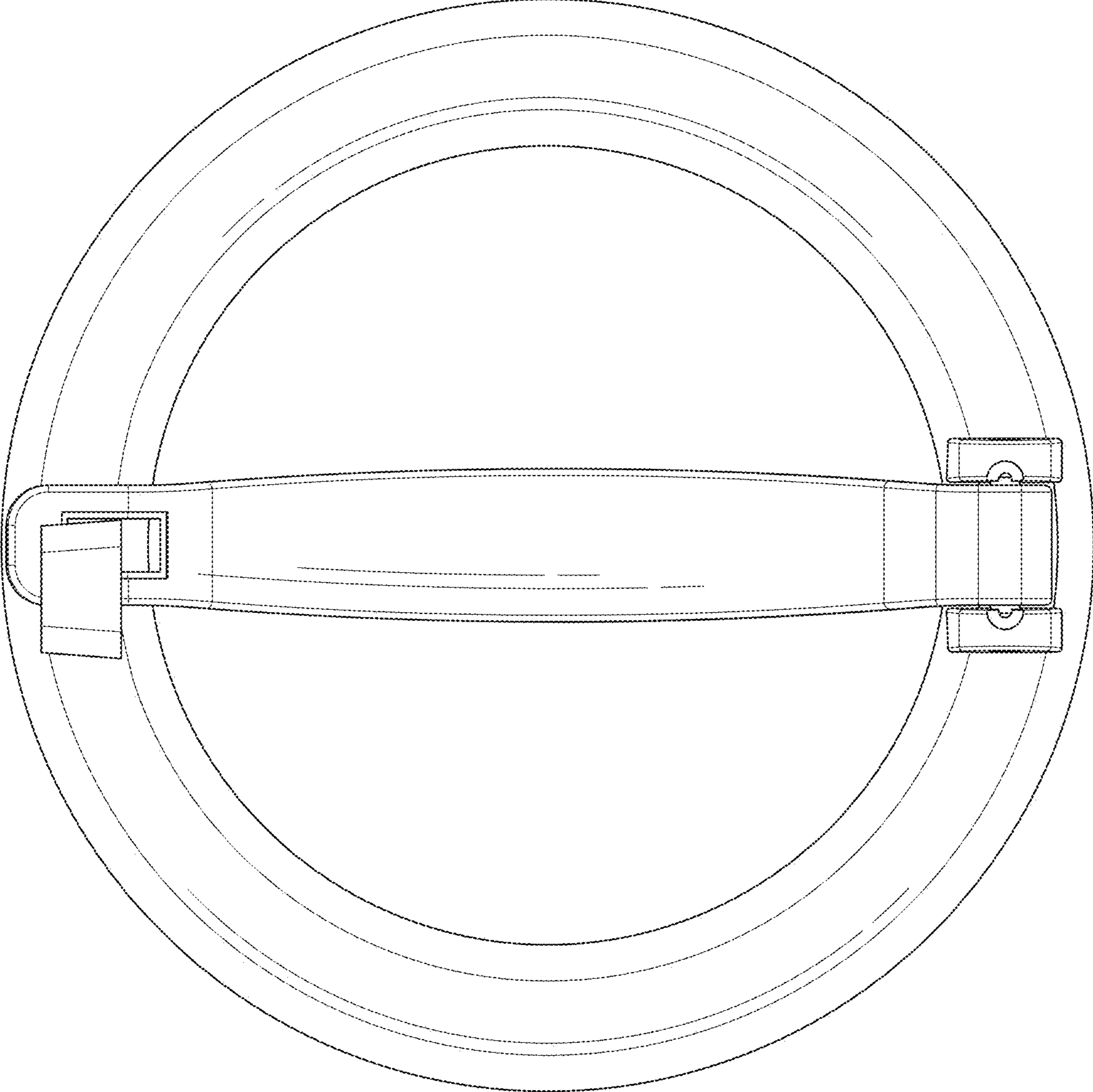


FIG. 8