

US00D901079S

(12) **United States Design Patent**  
**Hsu**

(10) **Patent No.:** **US D901,079 S**  
(45) **Date of Patent:** **\*\* Nov. 3, 2020**

- (54) **HAIR CLIP**
- (71) Applicant: **Shih-Ling Hsu**, Tainan (TW)
- (72) Inventor: **Shih-Ling Hsu**, Tainan (TW)
- (\*\*) Term: **15 Years**
- (21) Appl. No.: **29/698,904**
- (22) Filed: **Jul. 22, 2019**
- (51) **LOC (12) Cl.** ..... **28-03**
- (52) **U.S. Cl.**  
USPC ..... **D28/40**
- (58) **Field of Classification Search**  
USPC ..... D28/39, 40, 42, 43  
CPC ... A45D 8/00; A45D 8/24; A45D 8/28; A45D  
8/30; A45D 8/32; A45D 8/34  
See application file for complete search history.

- D627,099 S \* 11/2010 Tu ..... D28/40
- D719,297 S \* 12/2014 Hsu ..... A45D 8/24
- D769,525 S \* 10/2016 Coral ..... D28/40

\* cited by examiner

*Primary Examiner* — Zenia I Bennett

(74) *Attorney, Agent, or Firm* — Alan D. Kamrath; Karin L. Williams; Mayer & Williams PC

(57) **CLAIM**

The ornamental design for the hair clip, as shown and described.

**DESCRIPTION**

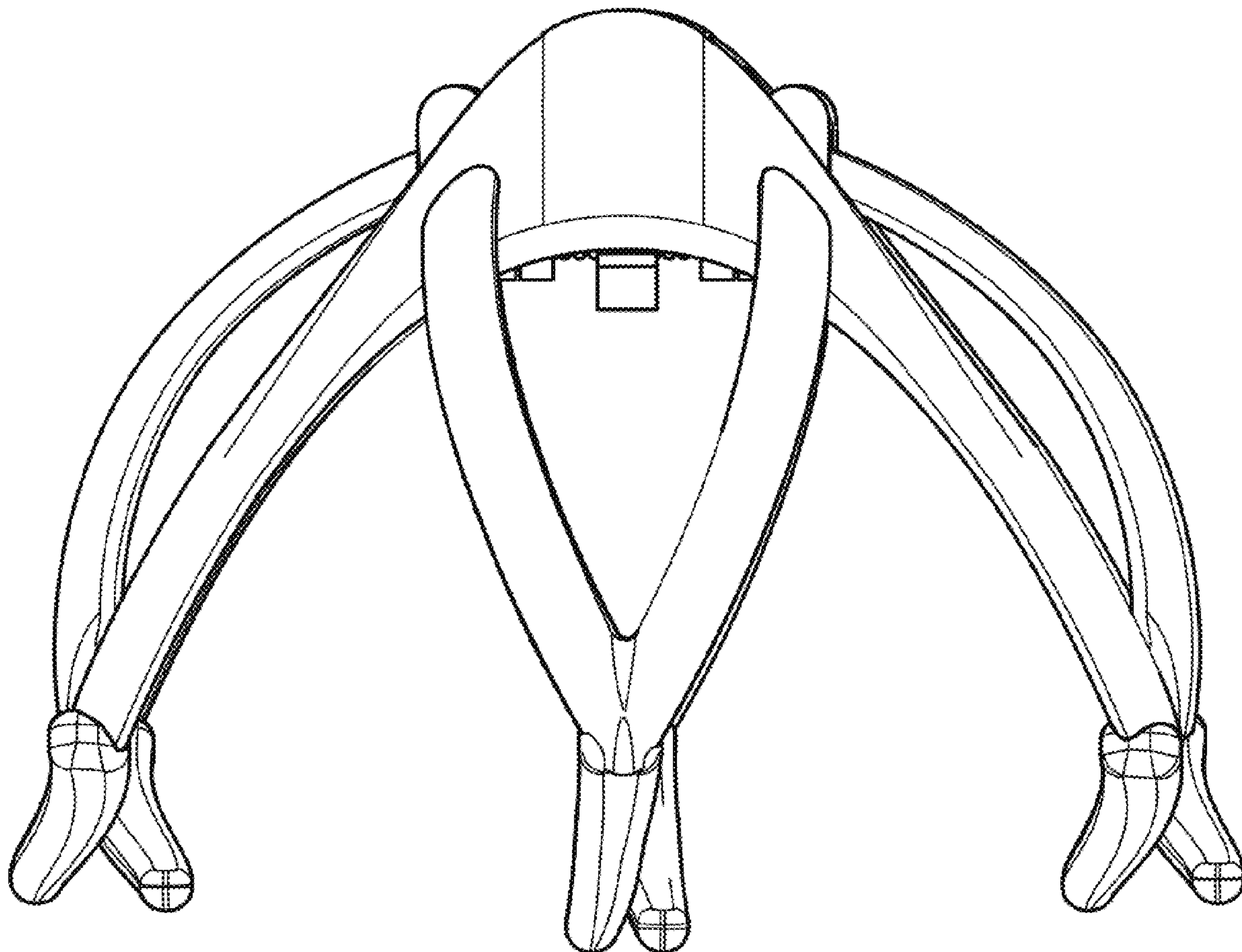
FIG. 1 is a perspective view of the hair clip showing my new design;  
 FIG. 2 is an another perspective view thereof;  
 FIG. 3 is a front elevation view thereof;  
 FIG. 4 is a rear elevation view thereof;  
 FIG. 5 is a left side elevation view thereof;  
 FIG. 6 is a right side elevation view thereof;  
 FIG. 7 is a top plan view thereof; and,  
 FIG. 8 is a bottom plan view thereof.

(56) **References Cited**

**U.S. PATENT DOCUMENTS**

- D536,132 S \* 1/2007 Vergona ..... D28/40
- D615,702 S \* 5/2010 Hsu ..... D28/40

**1 Claim, 8 Drawing Sheets**



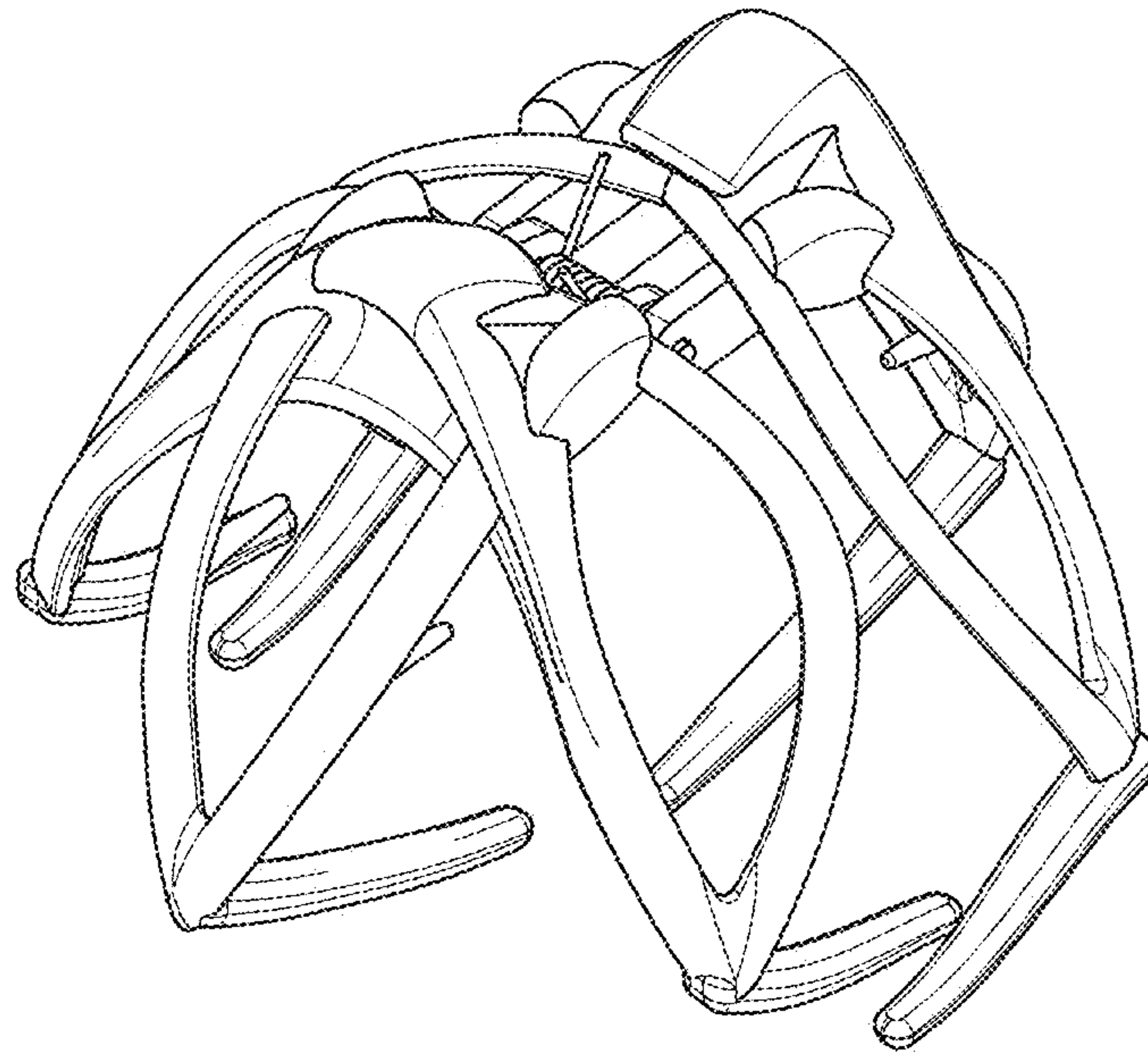
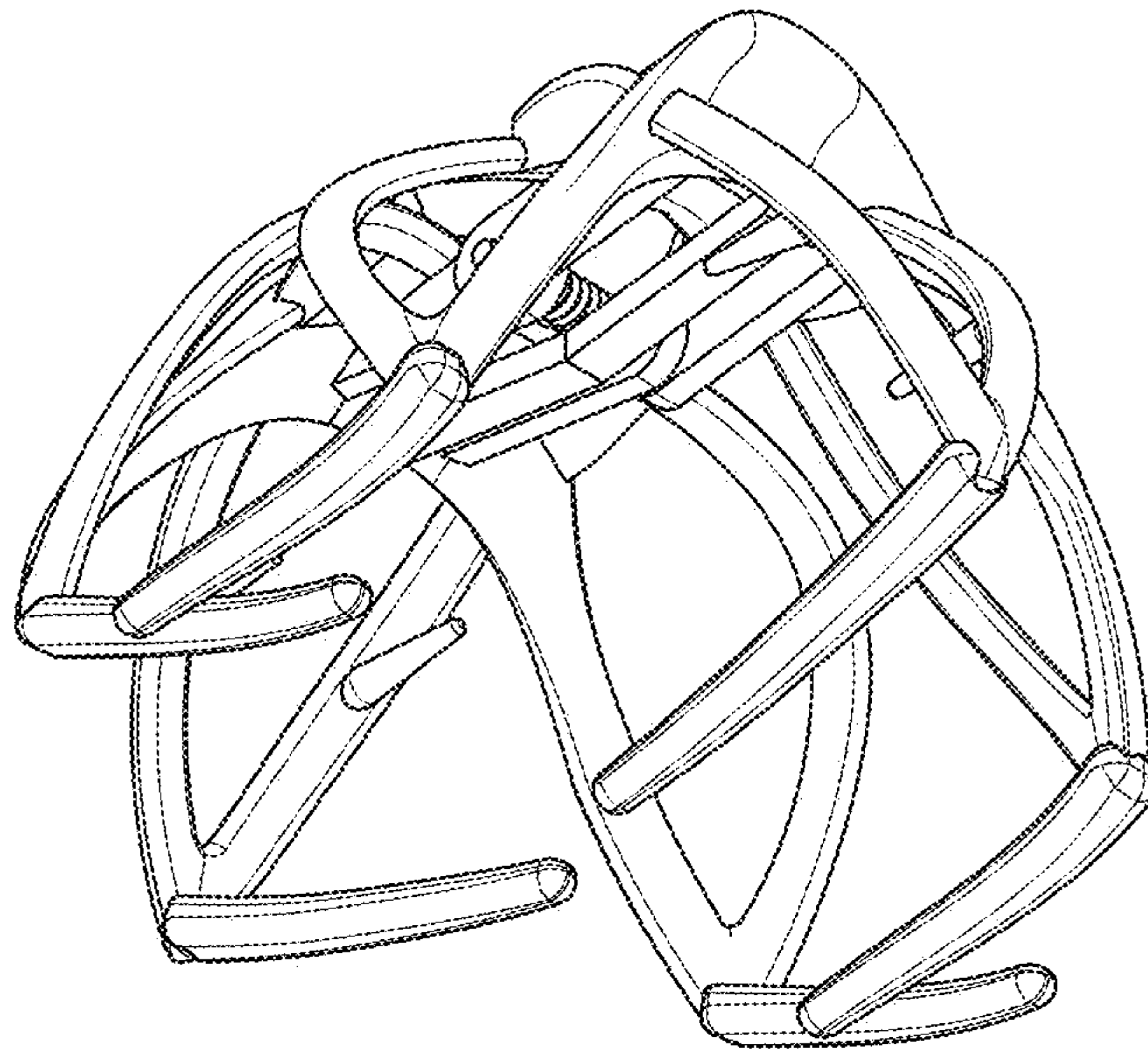
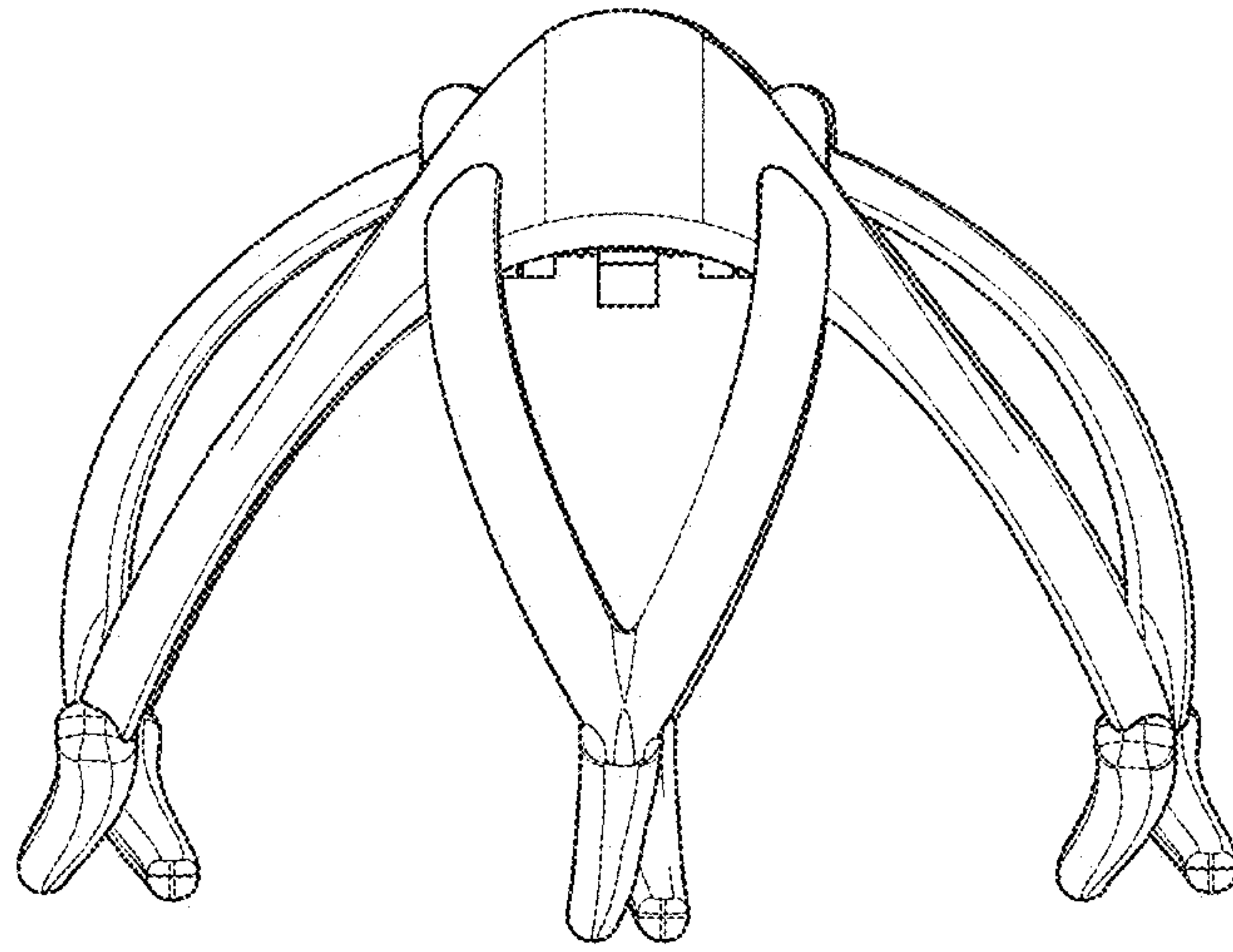


FIG. 1



F I G . 2



F I G . 3

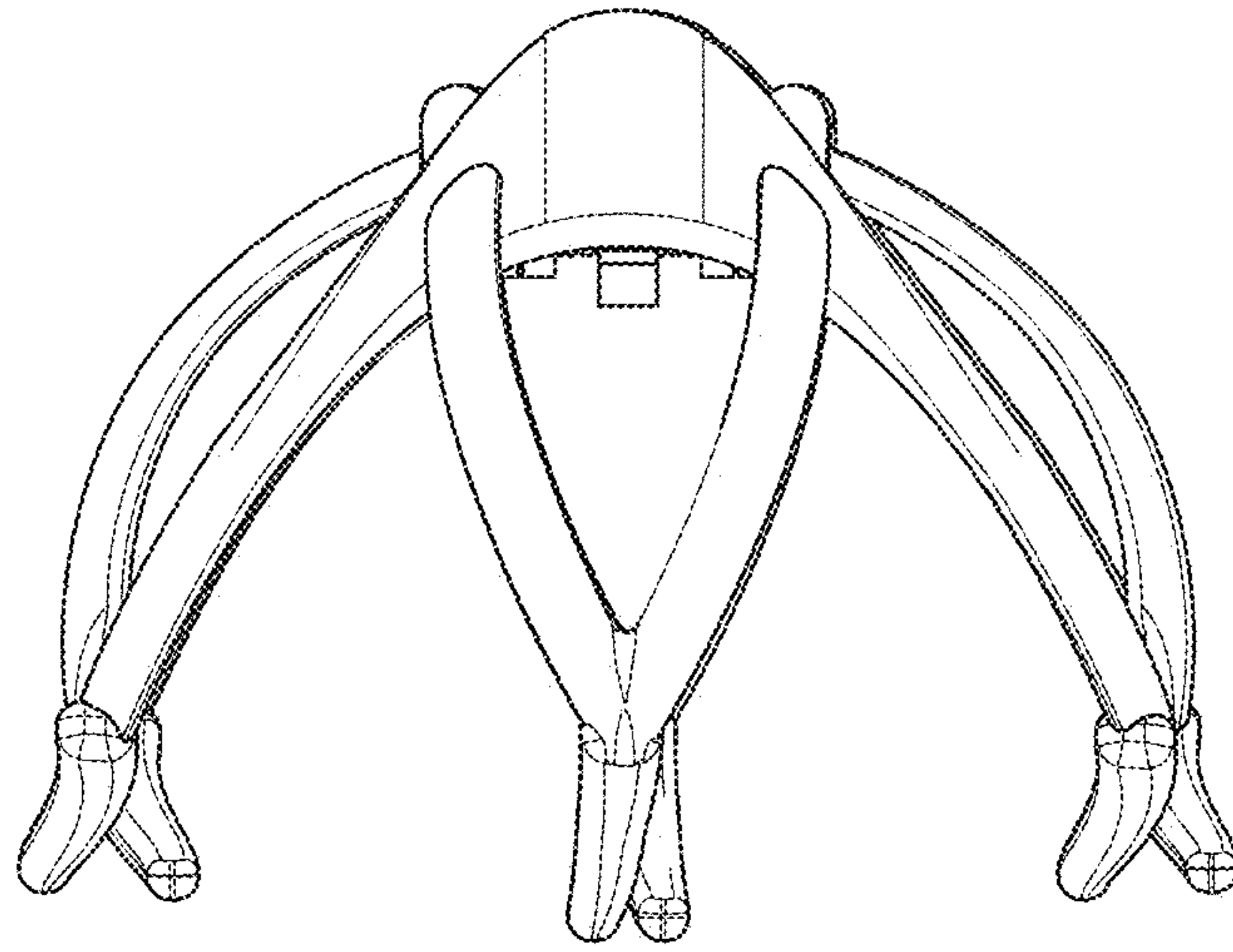


FIG. 4



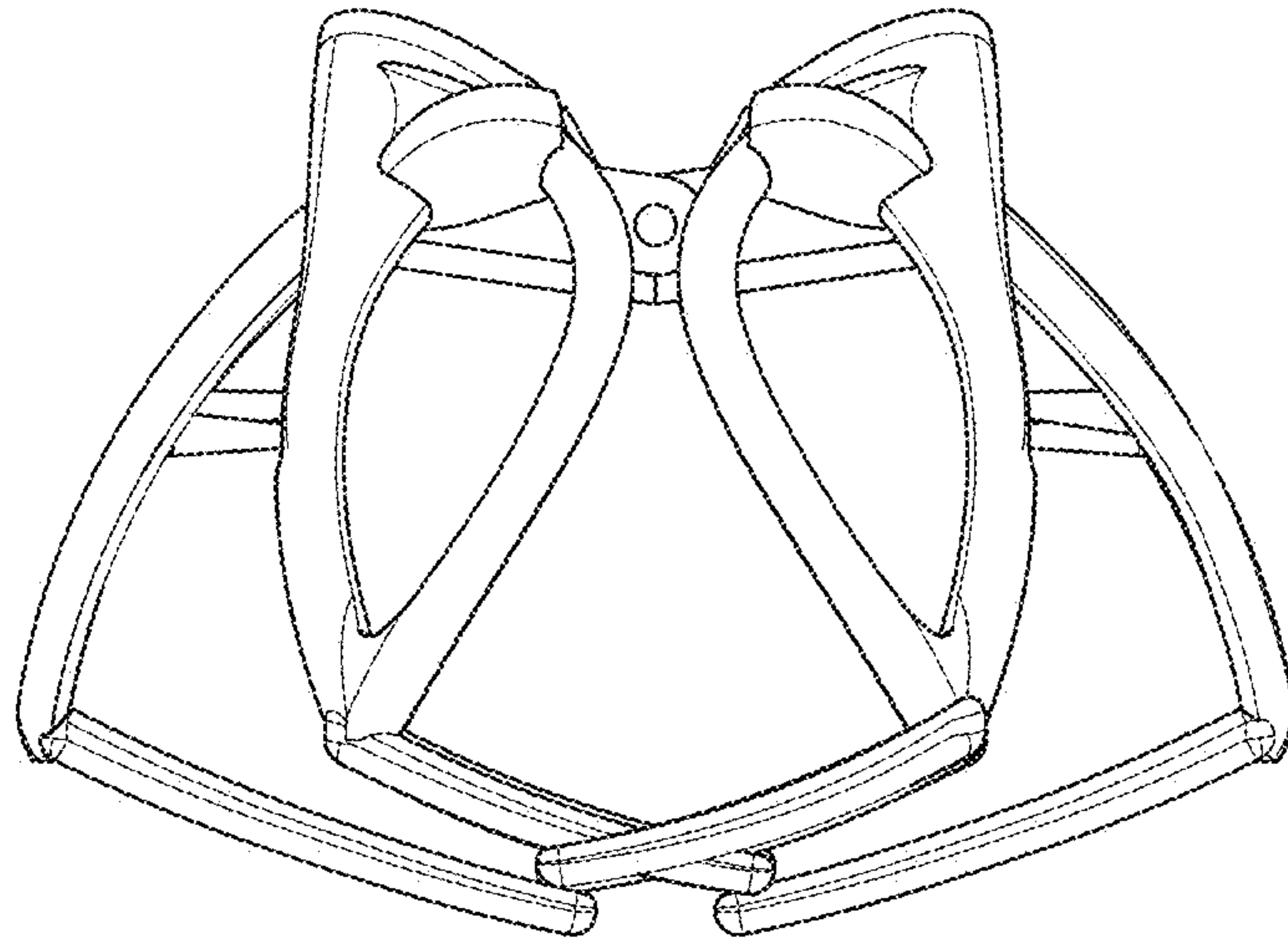
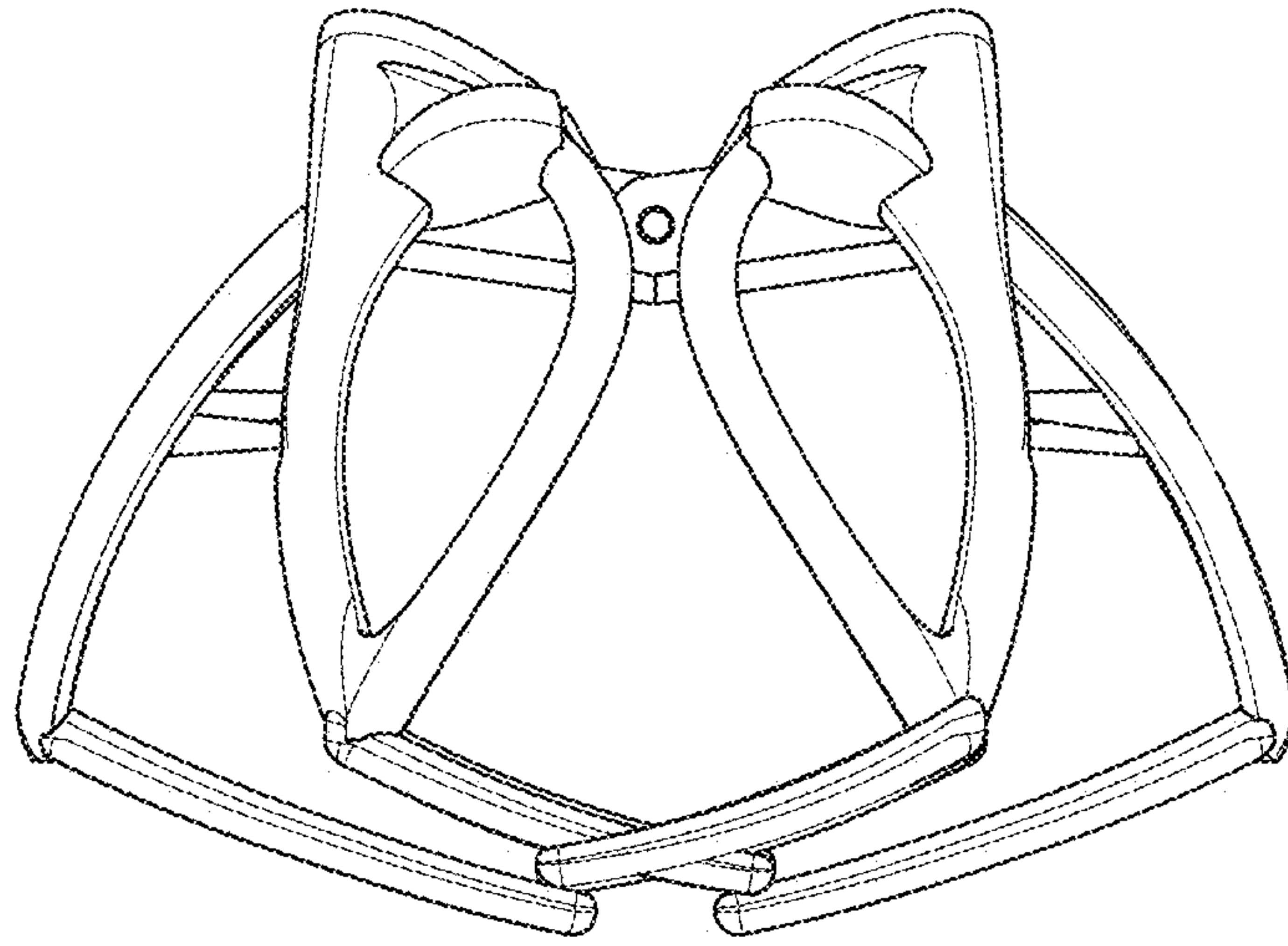
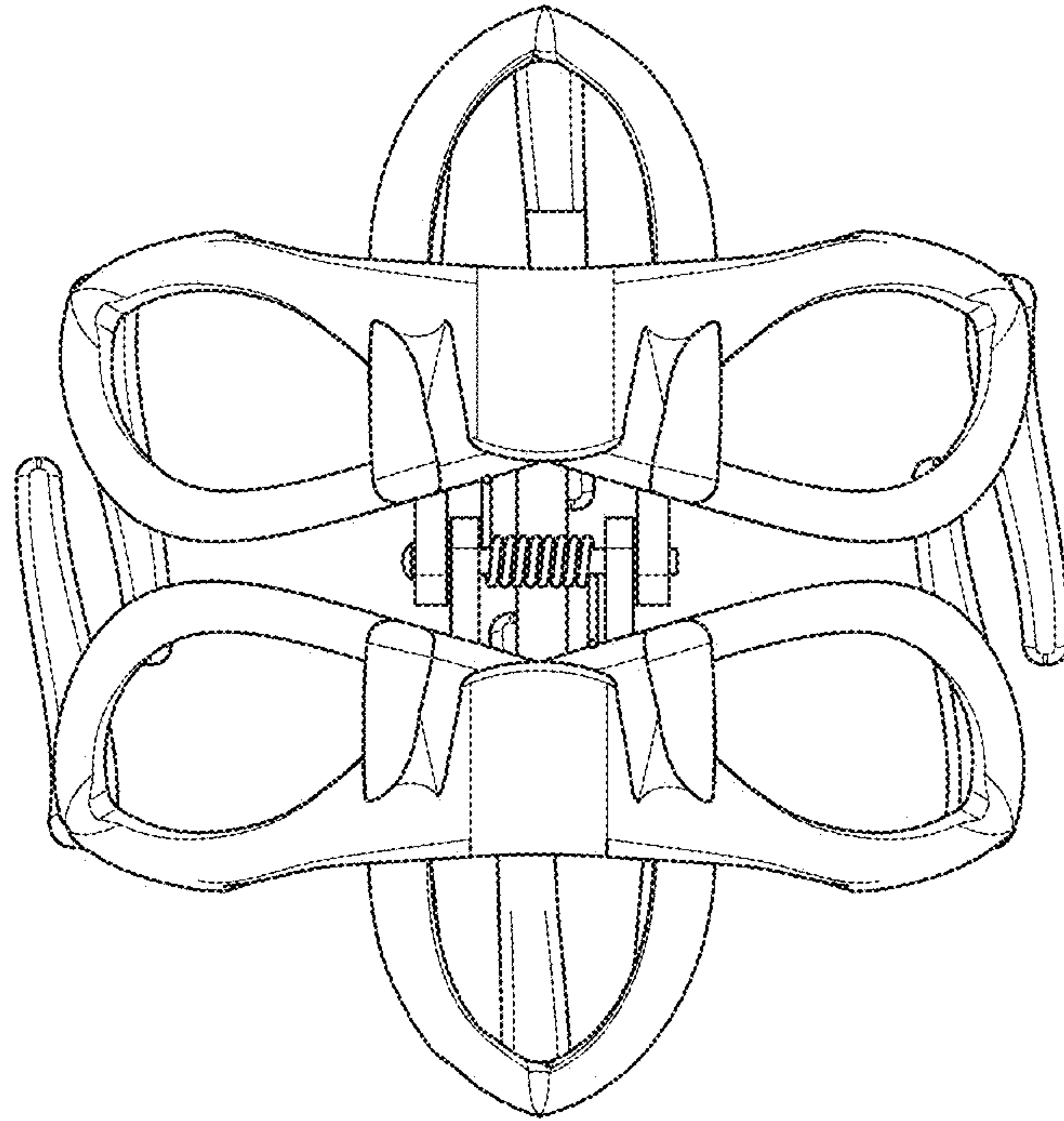


FIG. 5



F I G . 6



F I G . 7



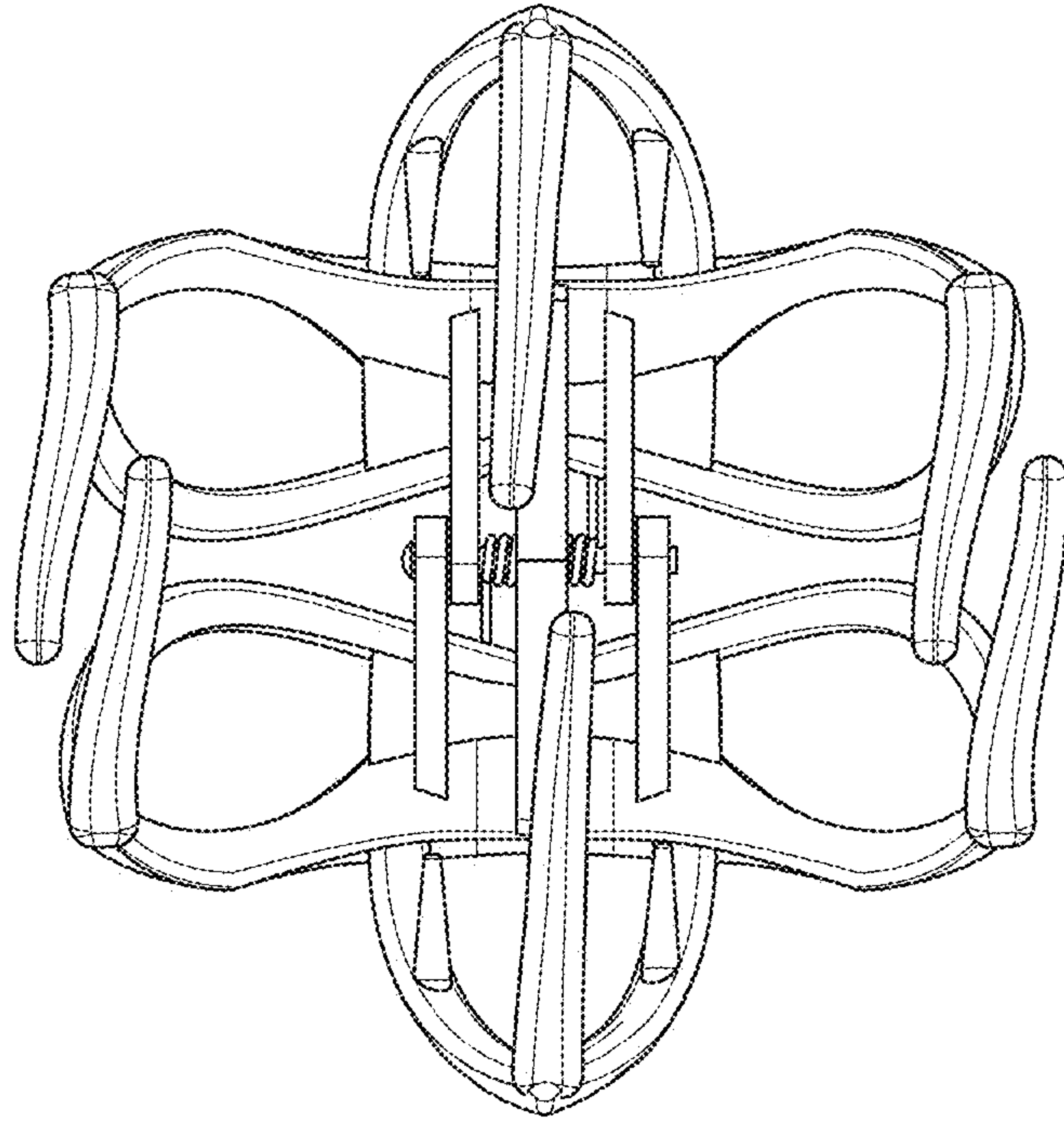


FIG. 8