



US00D901078S

(12) **United States Design Patent** (10) **Patent No.:** **US D901,078 S**  
**Kim et al.** (45) **Date of Patent:** **\*\* Nov. 3, 2020**

(54) **HAIR STRAIGHTENER WITH FLAT SIDES**

(71) Applicant: **Lexmark International, Inc.**,  
Lexington, KY (US)

(72) Inventors: **Hyeob Kim**, Independence, KY (US);  
**Brant Dennis Nystrom**, Lexington, KY  
(US); **Thomas Eugene Pangburn**,  
Winchester, KY (US); **Samuel Leo  
Rhodus**, Lexington, KY (US)

(73) Assignee: **LEXMARK INTERNATIONAL,  
INC.**, Lexington, KY (US)

(\*\*) Term: **15 Years**

(21) Appl. No.: **29/711,388**

(22) Filed: **Oct. 30, 2019**

(51) **LOC (12) Cl.** ..... **28-03**

(52) **U.S. Cl.**  
USPC ..... **D28/35**

(58) **Field of Classification Search**  
USPC ..... D28/35, 37-38  
CPC ..... A45D 2/001; A45D 2/002; A45D 1/06;  
A45D 1/08; A45D 1/10; A45D 1/12;  
A45D 1/14; A45D 1/18  
See application file for complete search history.

(56) **References Cited**

U.S. PATENT DOCUMENTS

D629,156 S \* 12/2010 Kim ..... D28/35  
D682,467 S \* 5/2013 Kim ..... D28/35

D780,374 S \* 2/2017 Yu ..... D28/35  
D832,511 S \* 10/2018 Chandra ..... D28/35  
D833,070 S \* 11/2018 Chandra ..... D28/35  
D838,907 S \* 1/2019 Bates ..... D28/35  
D850,002 S \* 5/2019 Bates ..... D28/35  
D865,287 S \* 10/2019 Feng ..... D28/35  
D870,968 S \* 12/2019 Peng ..... D28/35  
D875,311 S \* 2/2020 Yang ..... D28/35  
D877,413 S \* 3/2020 Lin ..... D28/35  
D884,272 S \* 5/2020 Liao ..... D28/35  
2018/0042352 A1\* 2/2018 deGrood ..... A45D 1/04

\* cited by examiner

*Primary Examiner* — Jennifer Rivard

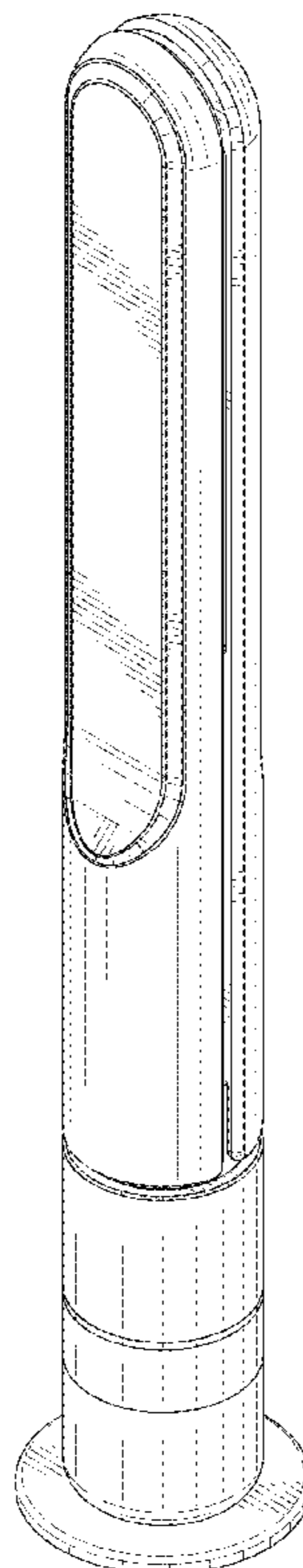
(57) **CLAIM**

The ornamental design for a hair straightener with flat sides, as shown and described.

**DESCRIPTION**

FIG. 1 is a front, top, and right side perspective view of a hair straightener with flat sides showing our new design; FIG. 2 is a rear, bottom, and left side perspective thereof; FIG. 3 is a front elevation view thereof; FIG. 4 is a right side elevation thereof; FIG. 5 is a rear elevation thereof; FIG. 6 is a left side elevation thereof; FIG. 7 is a top plan view thereof; and, FIG. 8 is a bottom plan view thereof.

**1 Claim, 4 Drawing Sheets**



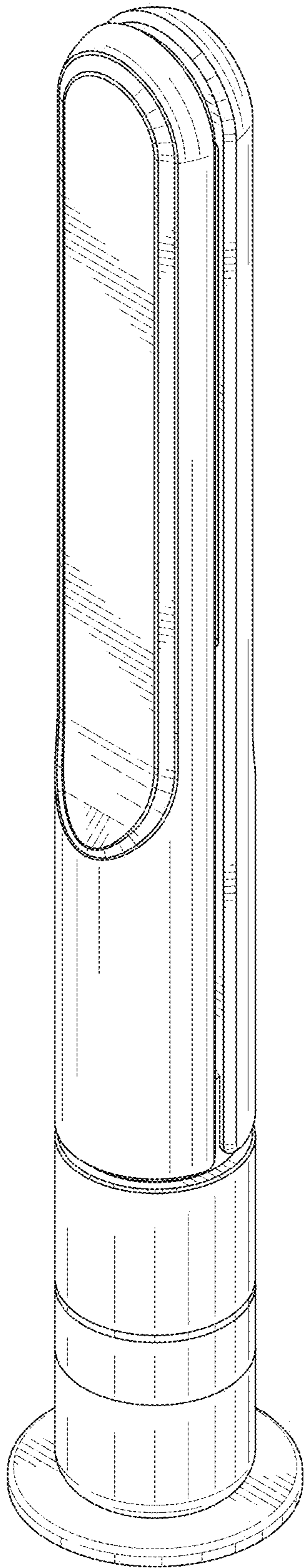


FIG. 1

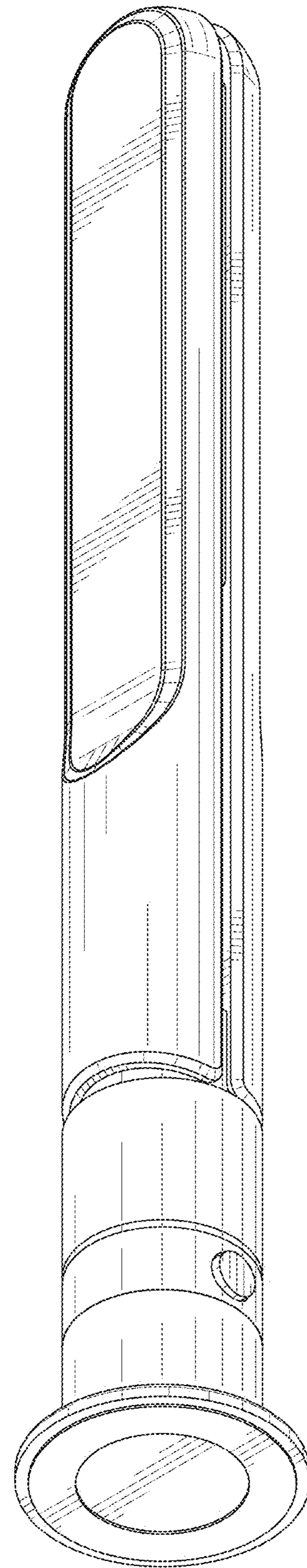


FIG. 2

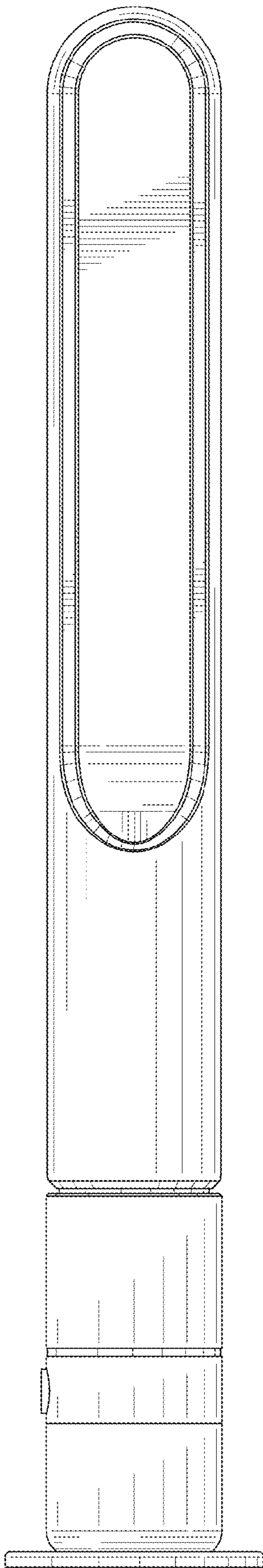


FIG. 3

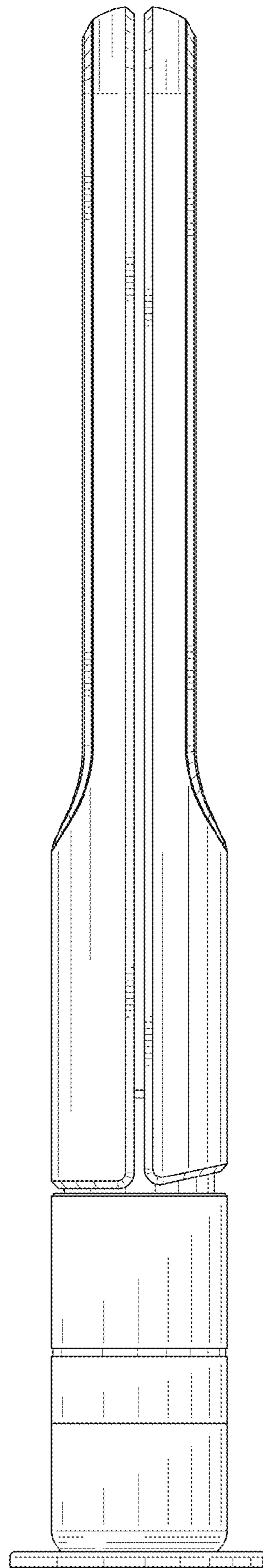


FIG. 4

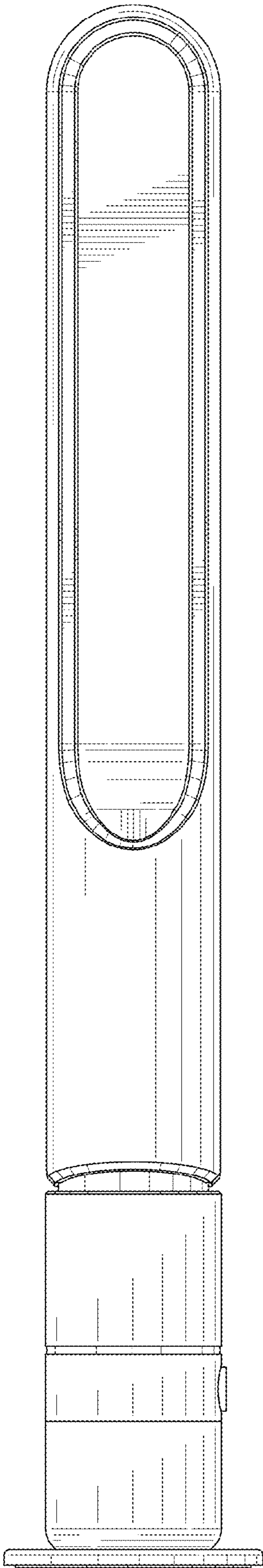


FIG. 5

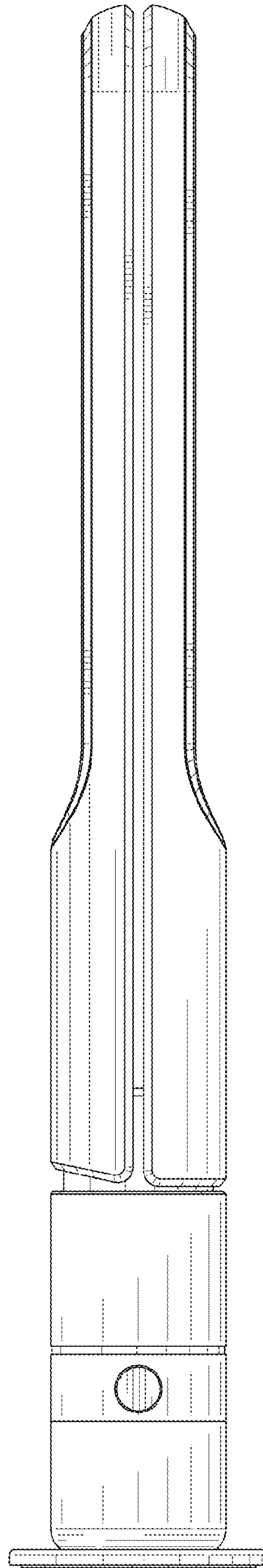


FIG. 6

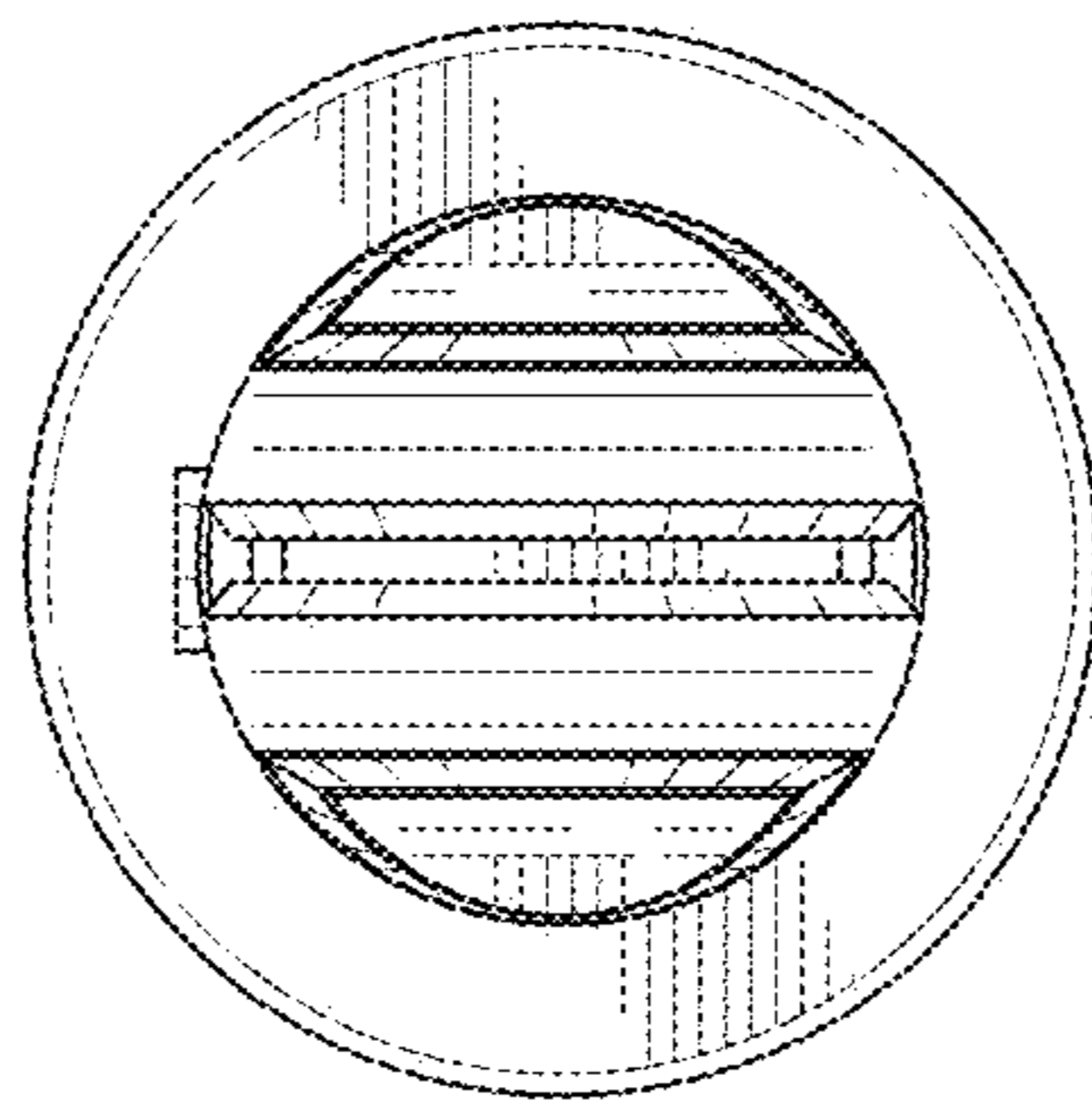


FIG. 7

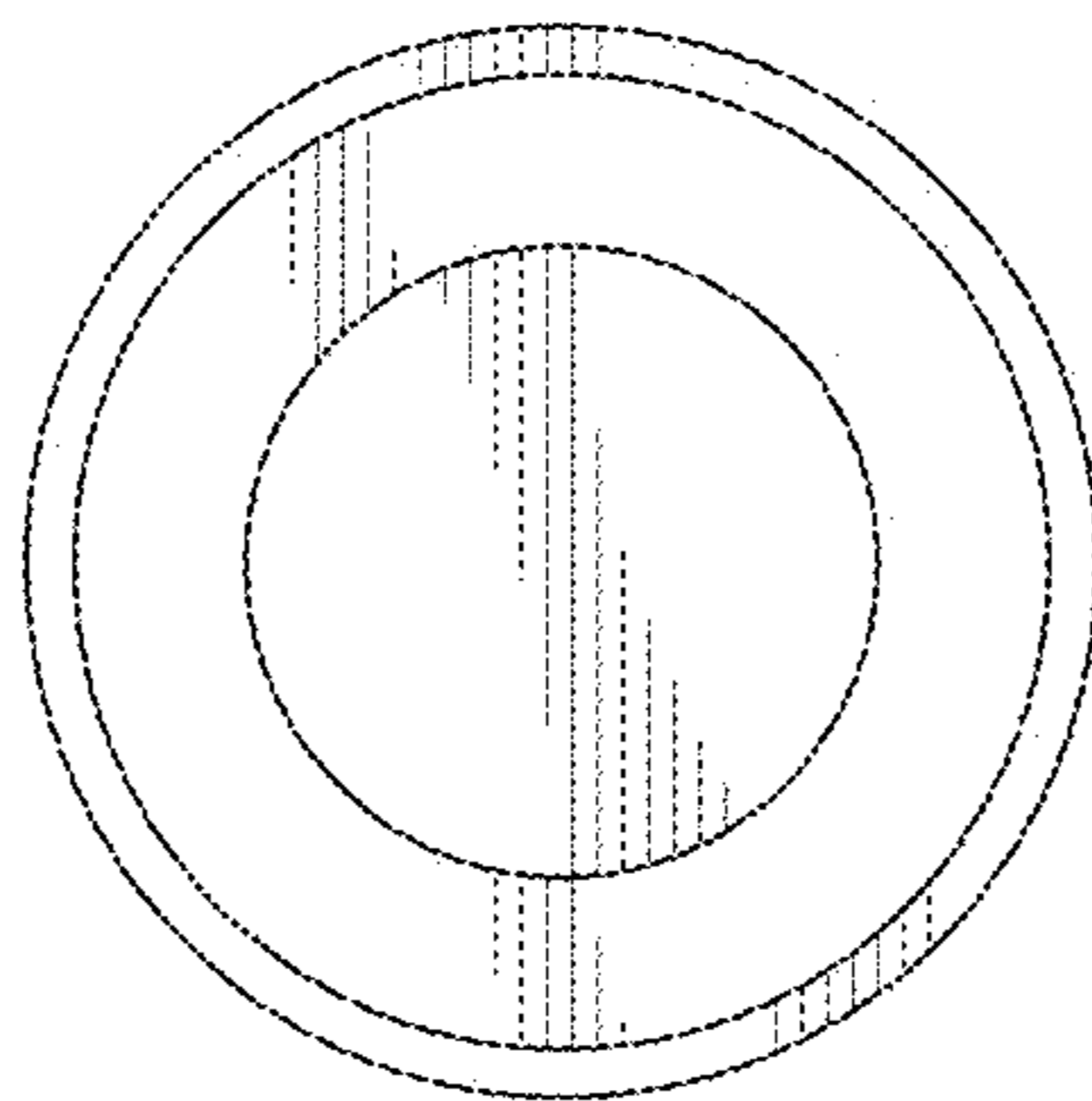


FIG. 8