



US00D901076S

(12) **United States Design Patent**
Kim

(10) **Patent No.:** **US D901,076 S**

(45) **Date of Patent:** **** Nov. 3, 2020**

(54) **CYLINDRICAL HAIR STRAIGHTENER**

(71) Applicant: **Lexmark International, Inc.,**
Lexington, KY (US)

(72) Inventor: **Hyeob Kim,** Independence, KY (US)

(73) Assignee: **LEXMARK INTERNATIONAL,**
INC., Lexington, KY (US)

(**) Term: **15 Years**

(21) Appl. No.: **29/711,381**

(22) Filed: **Oct. 30, 2019**

(51) **LOC (12) Cl.** **28-03**

(52) **U.S. Cl.**
USPC **D28/35**

(58) **Field of Classification Search**
USPC D28/35, 37-38
CPC A45D 2/001; A45D 2/002; A45D 1/06;
A45D 1/08; A45D 1/10; A45D 1/12;
A45D 1/14; A45D 1/18
See application file for complete search history.

(56) **References Cited**

U.S. PATENT DOCUMENTS

D609,401 S * 2/2010 Yang D28/35
D627,925 S * 11/2010 Nenadich D28/35

D645,614 S * 9/2011 Kim D28/35
D726,964 S * 4/2015 Smith D28/35
D776,871 S * 1/2017 Smith D28/35
D816,902 S * 5/2018 Delassus D28/35
D829,989 S * 10/2018 Feng D28/35
D838,039 S * 1/2019 Zhou D28/35
D874,724 S * 2/2020 Deffrennes D28/35
D876,721 S * 2/2020 Lin D28/35

* cited by examiner

Primary Examiner — Jennifer Rivard

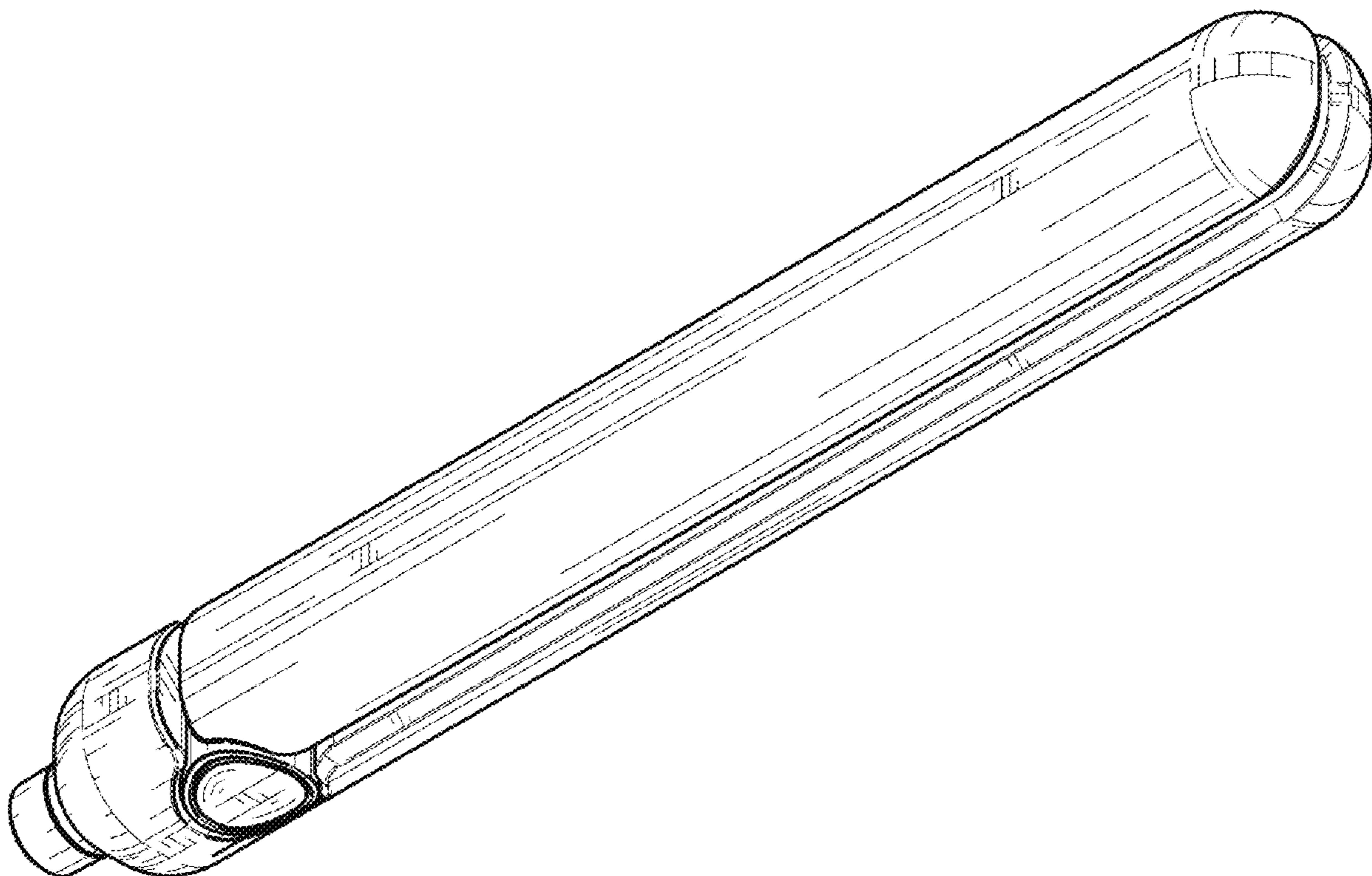
(57) **CLAIM**

The ornamental design for a cylindrical hair straightener, as shown and described.

DESCRIPTION

FIG. 1 is a front, top, and right side perspective view of a cylindrical hair straightener showing our new design; FIG. 2 is a rear, bottom, and left side perspective thereof; FIG. 3 is a front elevation view thereof; FIG. 4 is a right side elevation thereof; FIG. 5 is a rear elevation thereof; FIG. 6 is a left side elevation thereof; FIG. 7 is a top plan view thereof; and, FIG. 8 is a bottom plan view thereof.

1 Claim, 2 Drawing Sheets



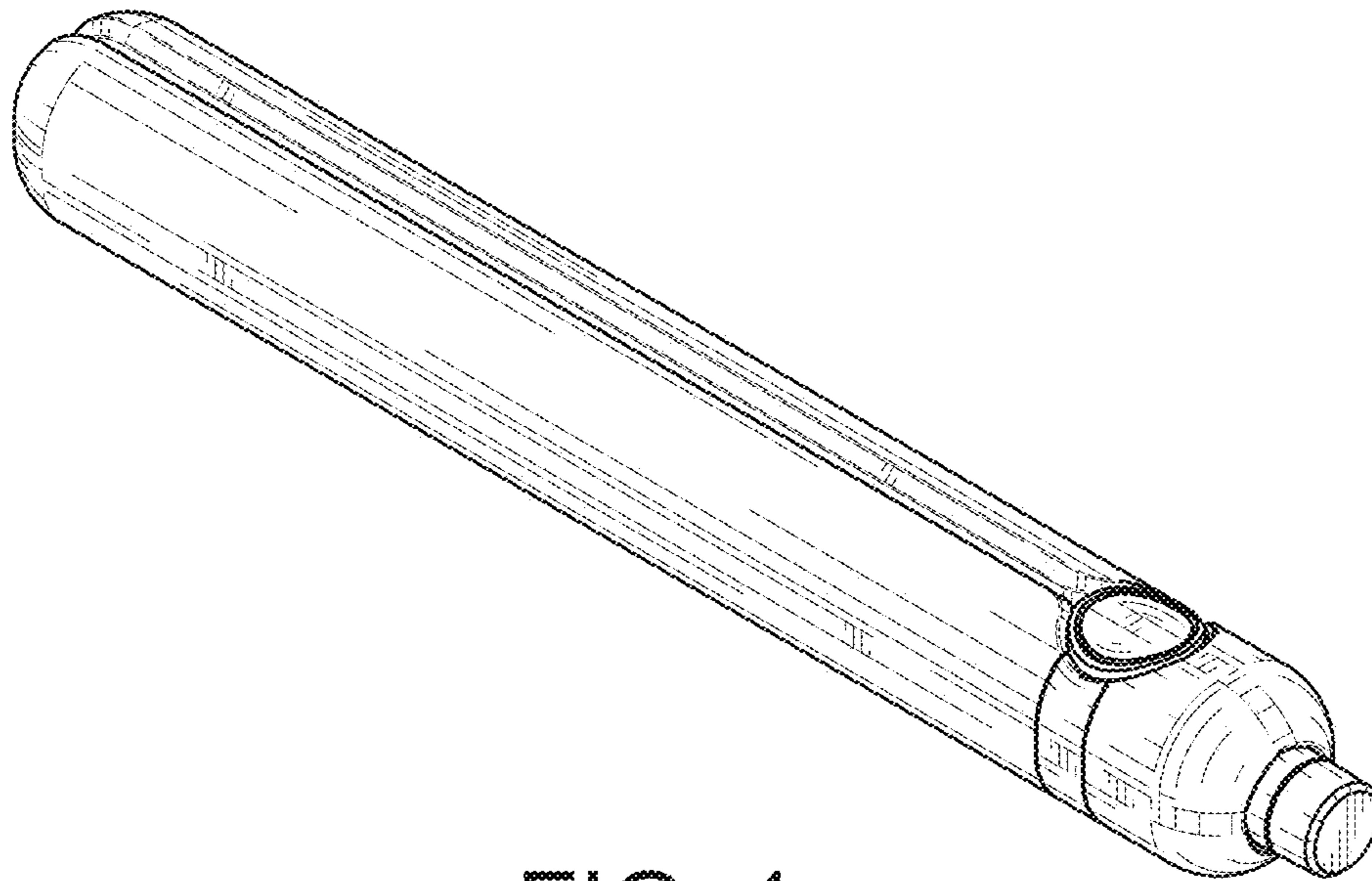


FIG. 1

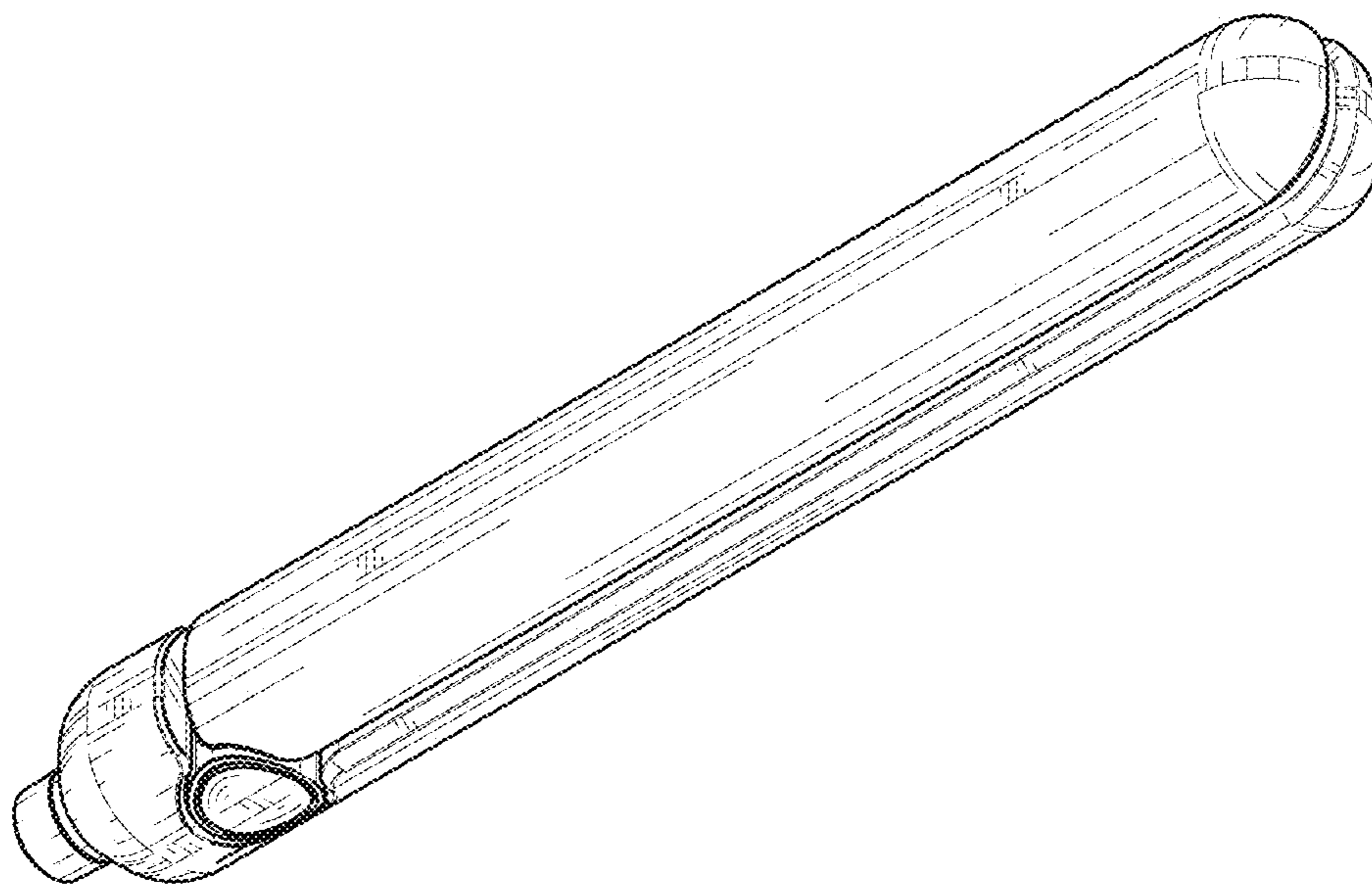


FIG. 2

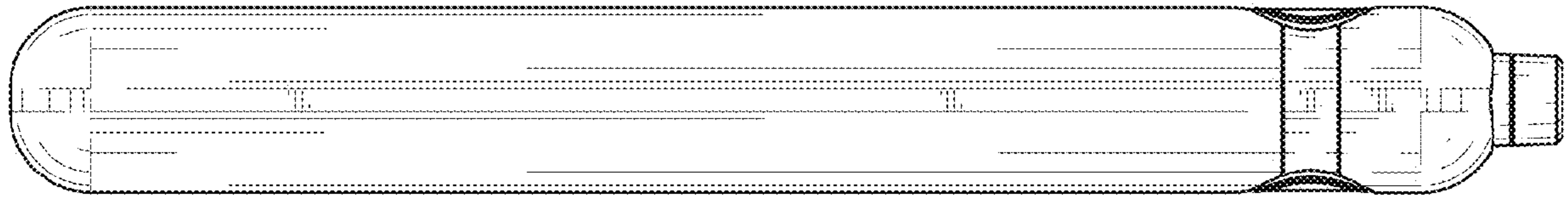


FIG. 3

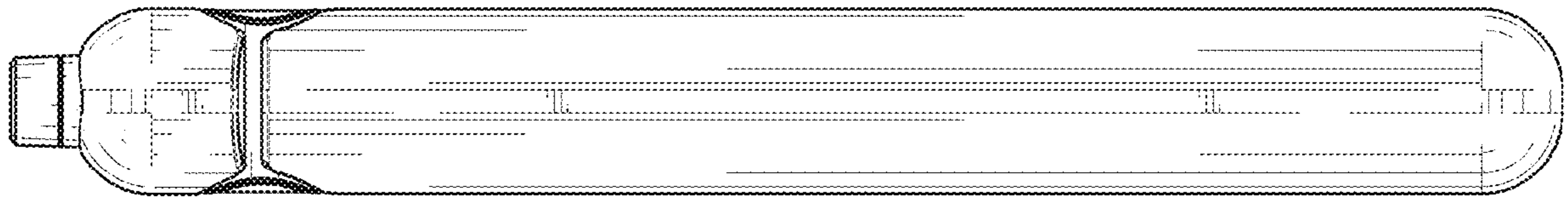


FIG. 5

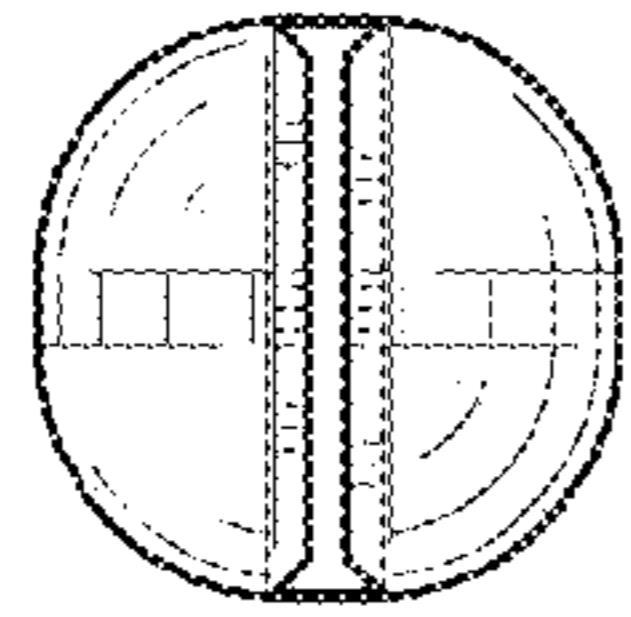


FIG. 6

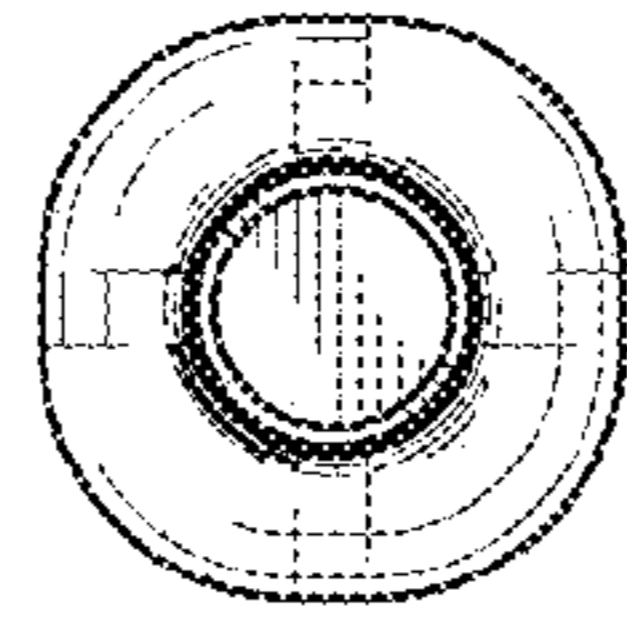


FIG. 4

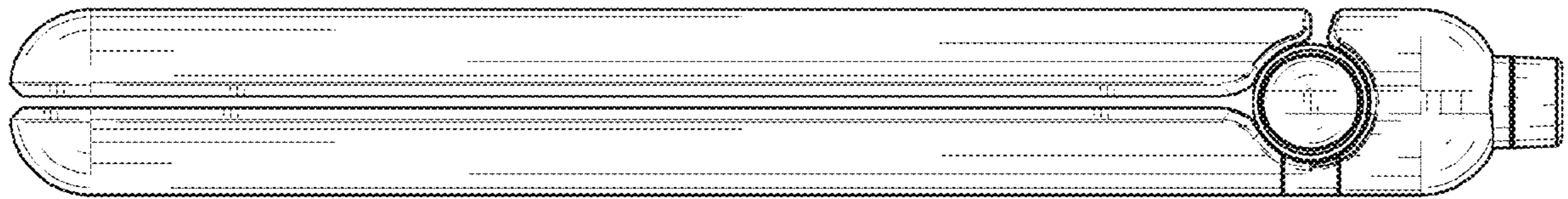


FIG. 7

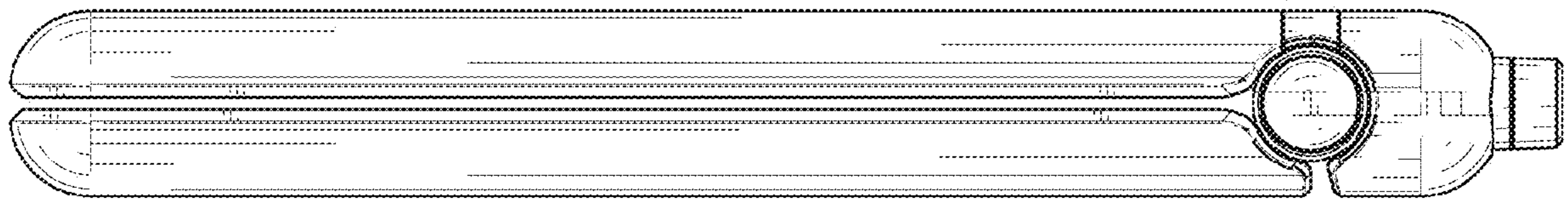


FIG. 8