



US00D901075S

(12) **United States Design Patent**
Advani et al.

(10) **Patent No.:** **US D901,075 S**

(45) **Date of Patent:** **** Nov. 3, 2020**

- (54) **HAIR DRYER BASE COMBINATION**
- (71) Applicant: **Tele Marketers, Inc.**, Hoboken, NJ (US)
- (72) Inventors: **Vinay Advani**, Hoboken, NJ (US);
Kunal Advani, Hong Kong (HK)
- (73) Assignee: **Tele Marketers, Inc.**, Hoboken, NJ (US)
- (**) Term: **15 Years**
- (21) Appl. No.: **29/687,600**
- (22) Filed: **Apr. 14, 2019**
- (51) **LOC (12) Cl.** **28-03**
- (52) **U.S. Cl.**
USPC **D28/13**
- (58) **Field of Classification Search**
USPC D28/12-19
CPC A45D 20/00; A45D 20/10; A45D 20/12;
A45D 20/18
See application file for complete search history.

- D386,815 S * 11/1997 Muller D28/13
- D415,854 S * 10/1999 Marcus D28/18
- 6,769,554 B1 * 8/2004 Udofiah A45D 44/06
211/26.2
- 7,152,610 B2 * 12/2006 Csavas A45D 2/002
132/271
- D726,370 S * 4/2015 Han D28/18
- D749,783 S * 2/2016 Norwid D28/18
- D833,069 S * 11/2018 Broides D28/18

* cited by examiner

Primary Examiner — Zenia I Bennett

(74) *Attorney, Agent, or Firm* — Hill Wallack LLP; Jason DeFrancesco

(57) **CLAIM**

The ornamental design for a hair dryer base combination, as shown and described.

DESCRIPTION

FIG. 1 is an isometric view of the hair dryer base combination in accordance with the new design in an assembled state;

FIG. 2 is a rear elevational view thereof;

FIG. 3 is a front elevational view thereof;

FIG. 4 is a top plan view thereof;

FIG. 5 is a bottom plan view thereof;

FIG. 6 is a left side view thereof;

FIG. 7 is a right side view thereof; and,

FIG. 8 is a prospective view of the hair dryer base combination as shown in FIG. 1, in an exploded and disassembled state.

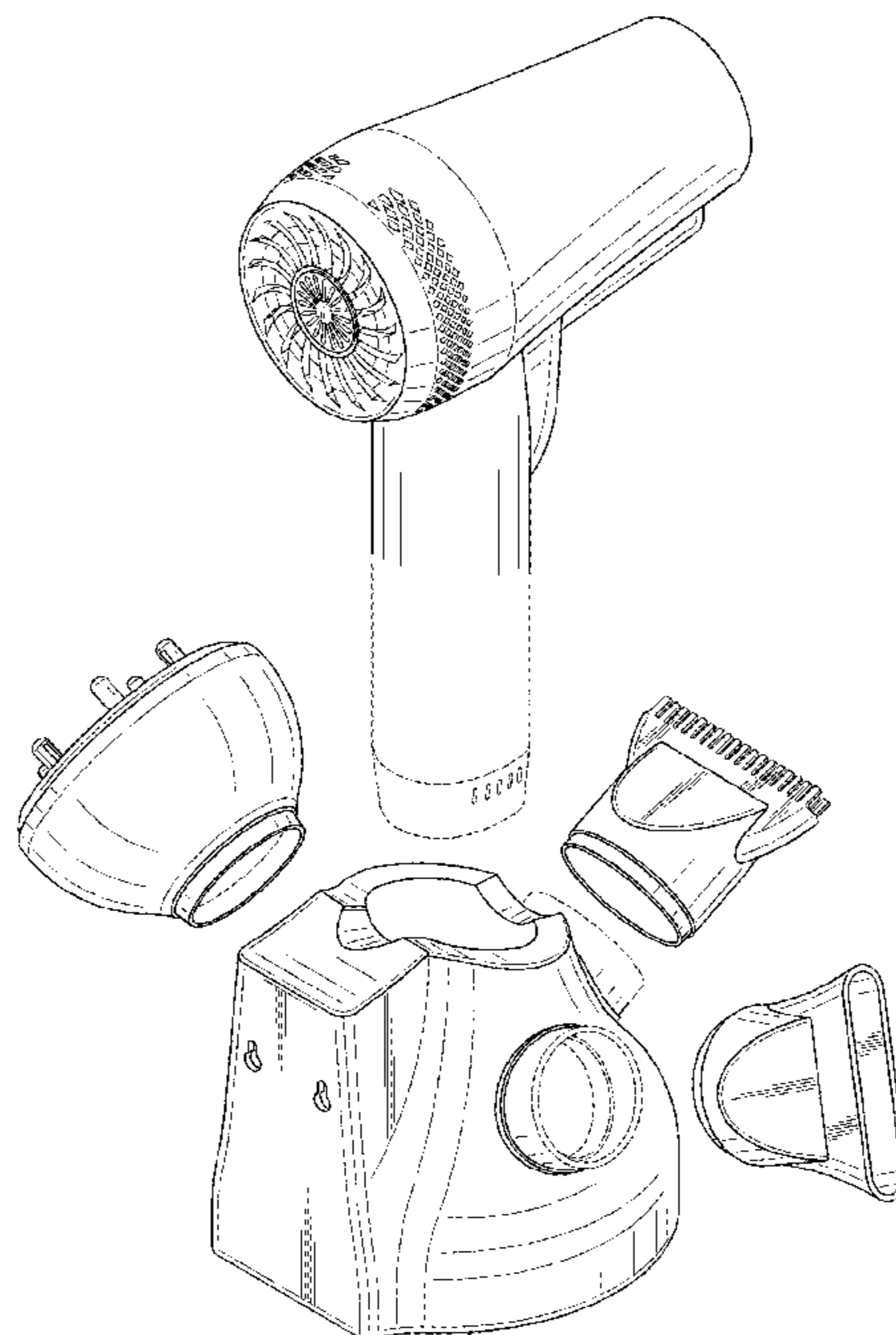
The broken lines of FIG. 8 illustrate elements not viewable in FIGS. 1-8 which show the claimed design in assembled state. The broken lines of FIG. 8 are for illustrative purposes only and form no part of the claimed design.

(56) **References Cited**

U.S. PATENT DOCUMENTS

- D248,410 S * 7/1978 Tomaro D28/13
- D256,846 S * 9/1980 Haase D28/13
- D286,209 S * 10/1986 Camens D28/13
- 5,124,532 A * 6/1992 Hafey A45D 1/00
132/229
- D345,042 S * 3/1994 Montagnino D28/13
- D350,414 S * 9/1994 Rizzuto, Jr. D28/13
- 5,547,393 A * 8/1996 Jansen A45D 20/12
132/233
- 5,590,475 A * 1/1997 Andis A45D 20/12
34/90

1 Claim, 5 Drawing Sheets



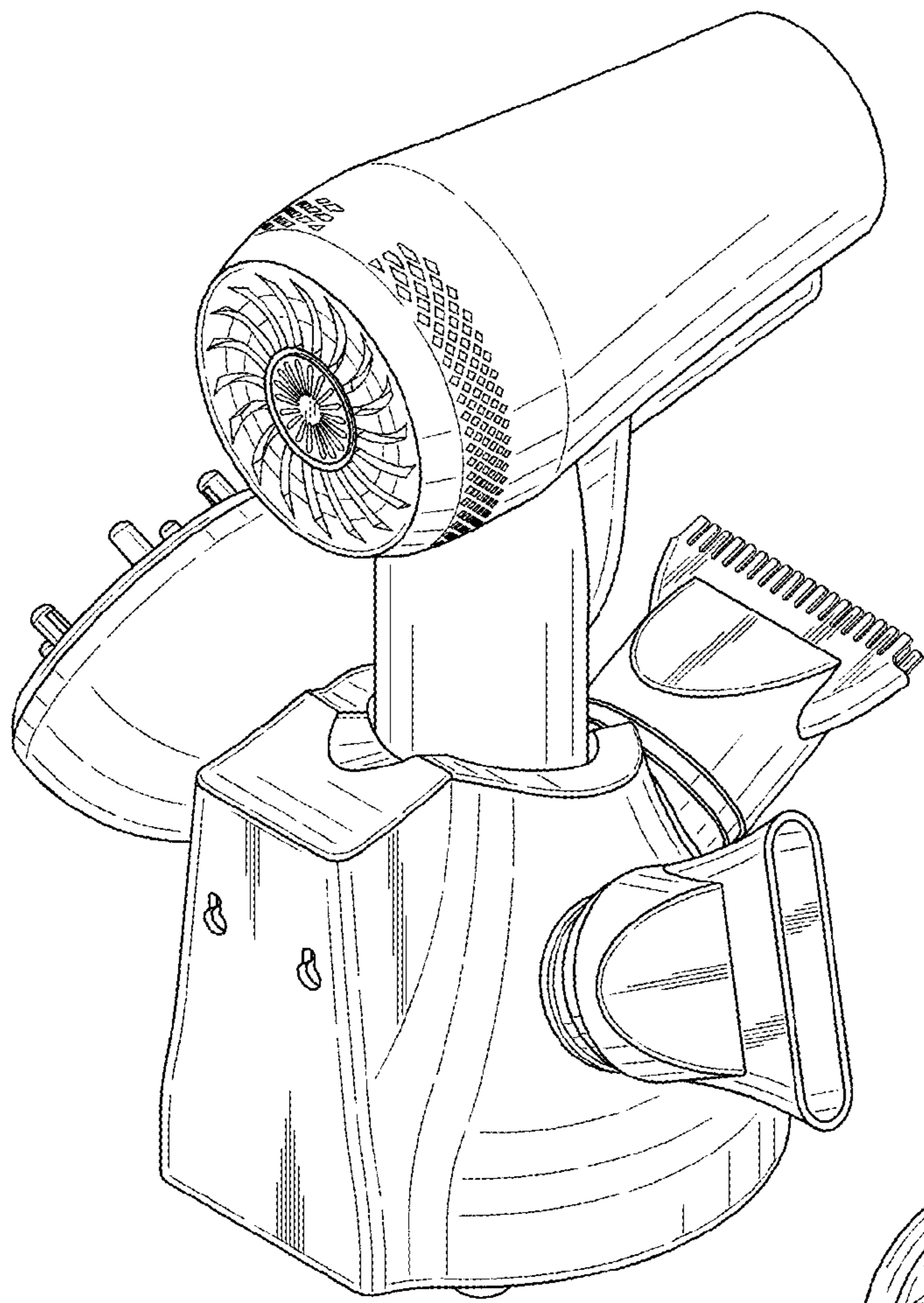


FIG. 1

FIG. 2

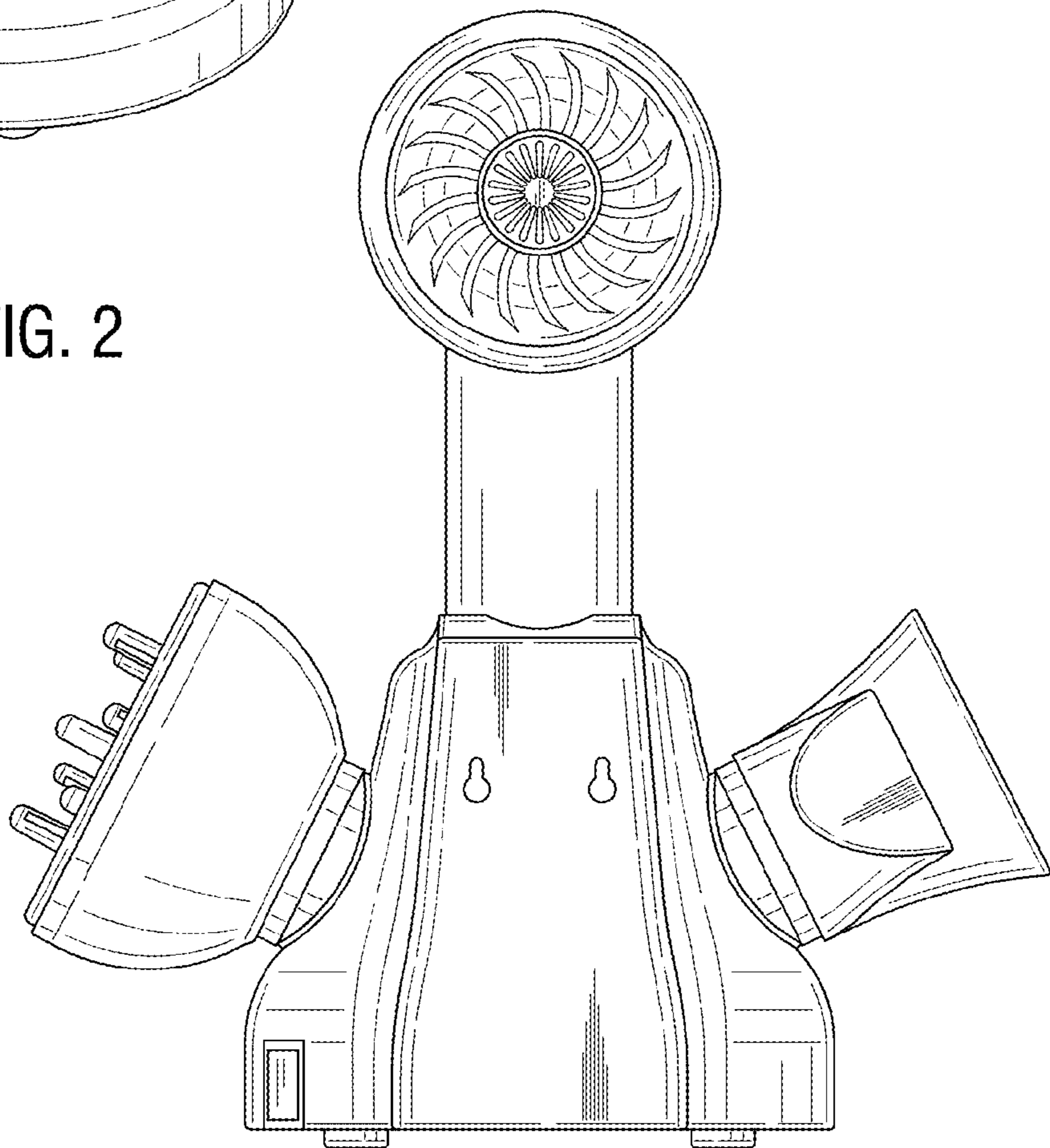


FIG 3

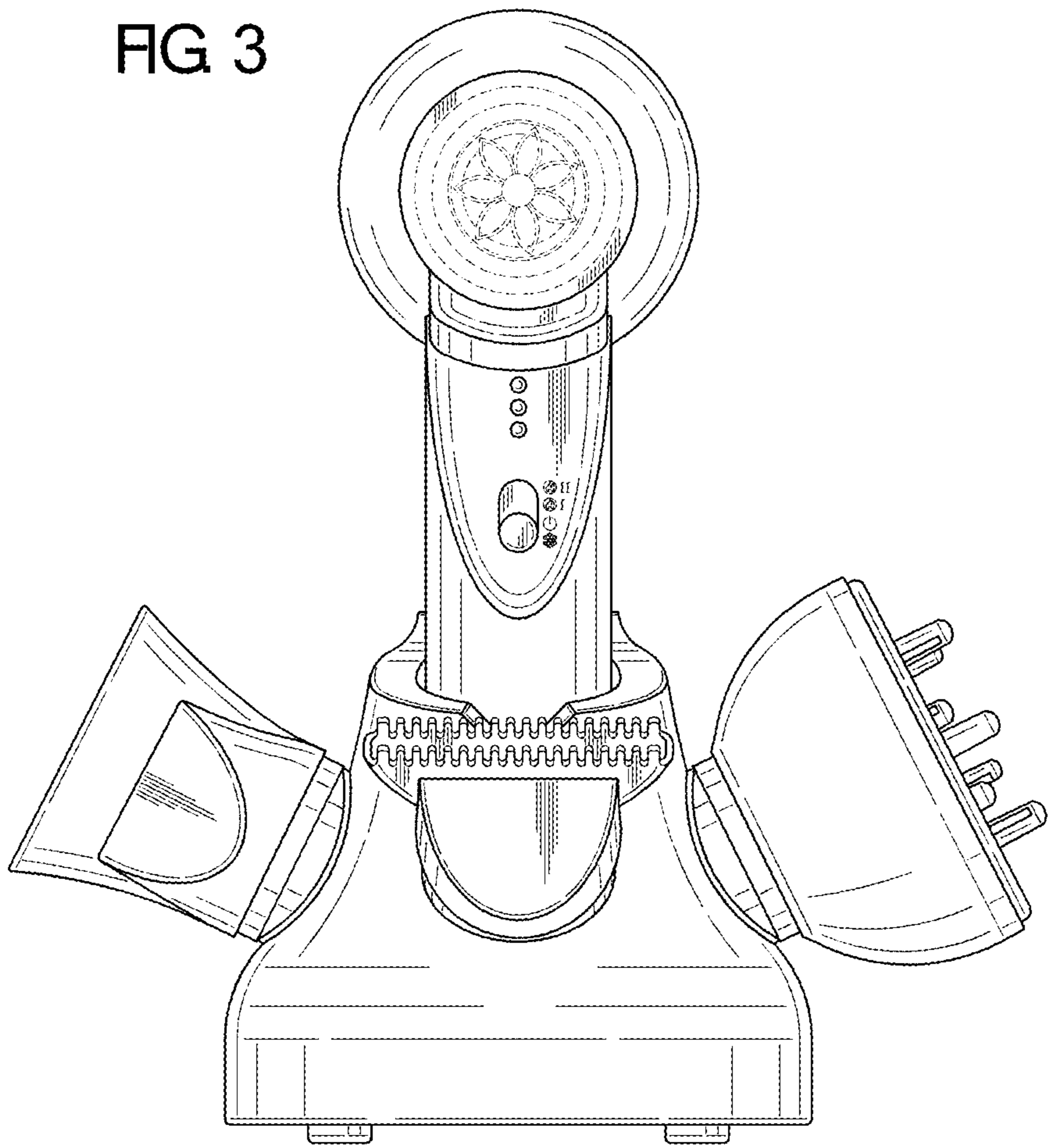


FIG 4

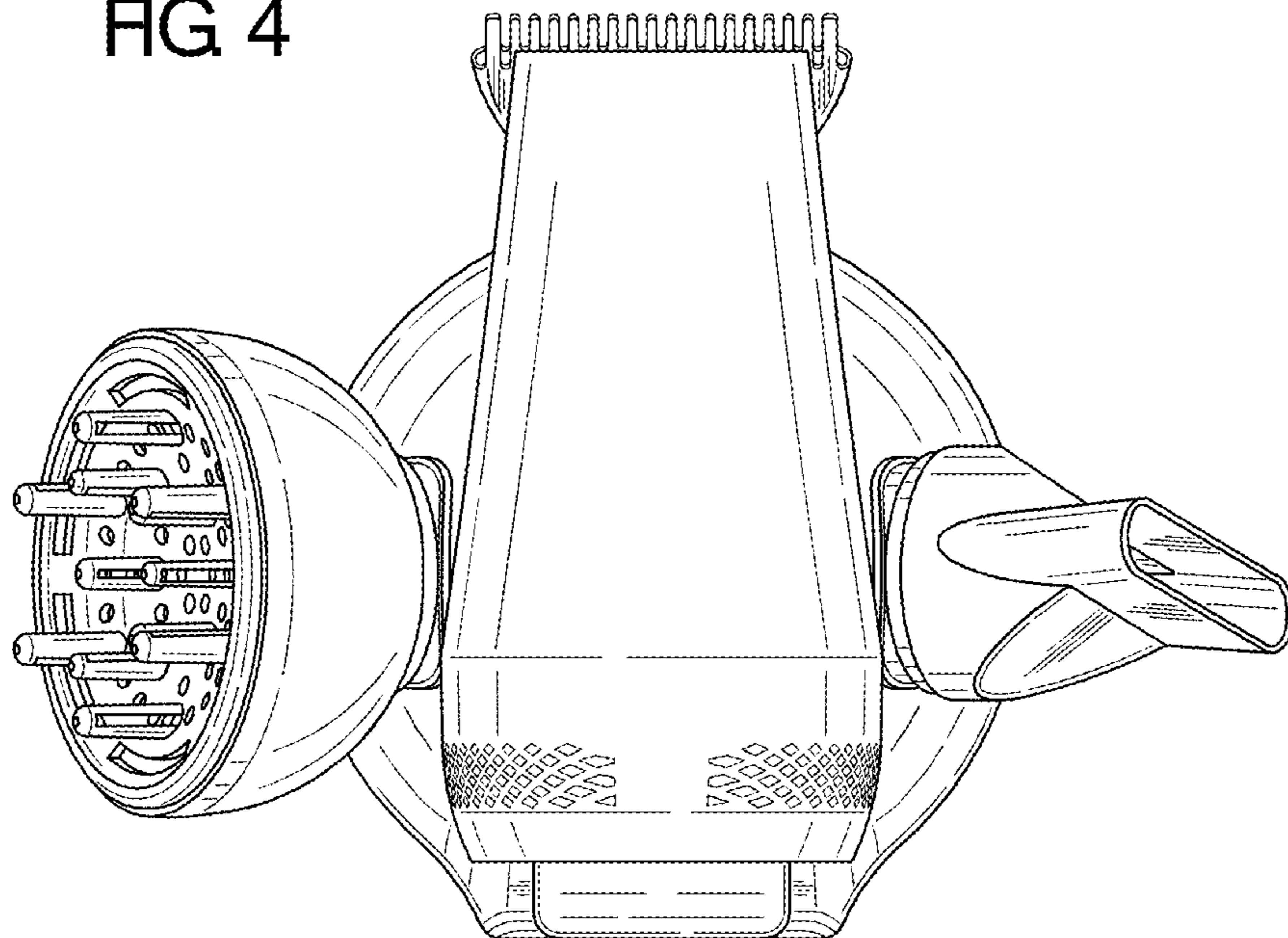


FIG. 5

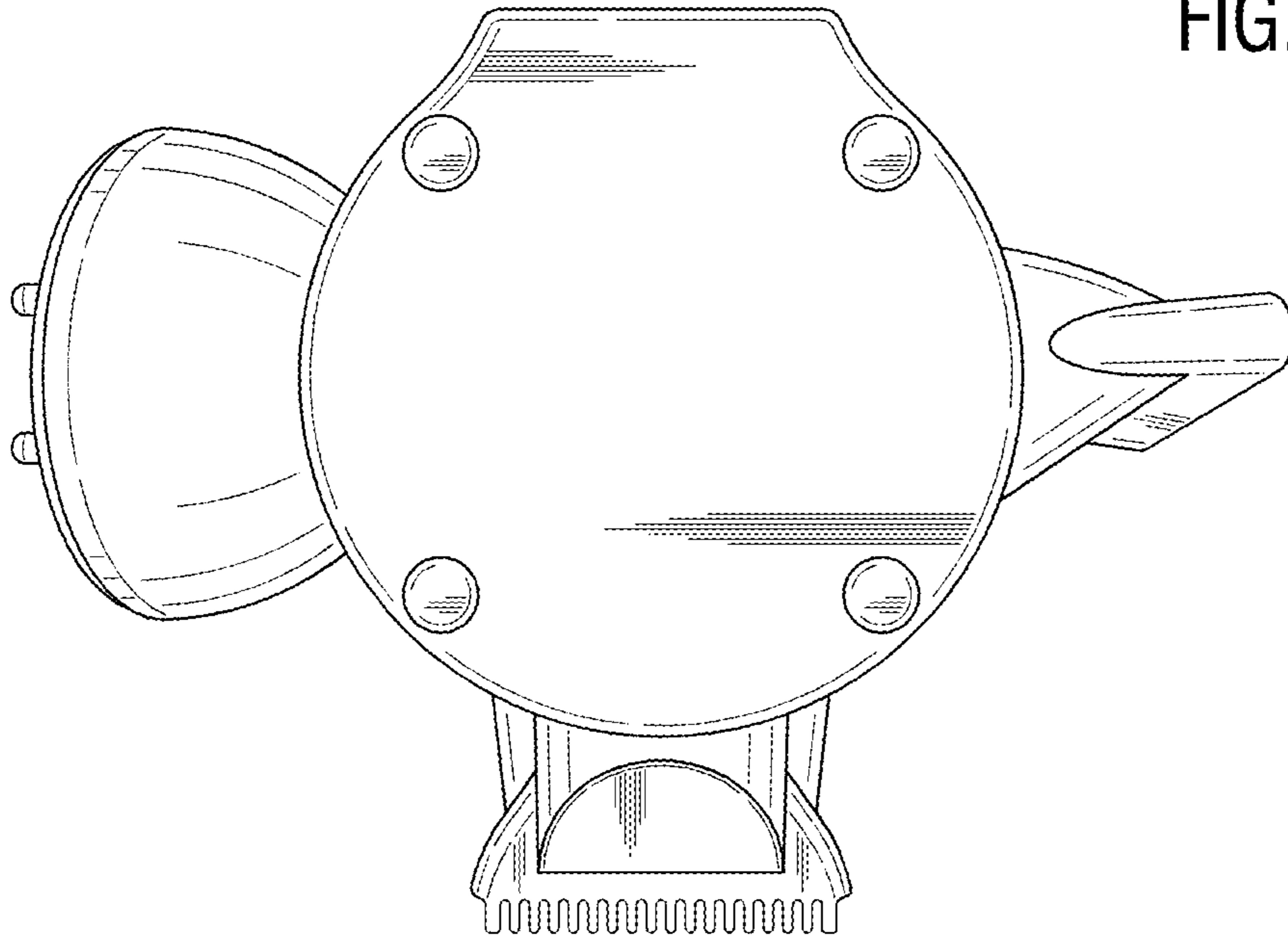


FIG. 6

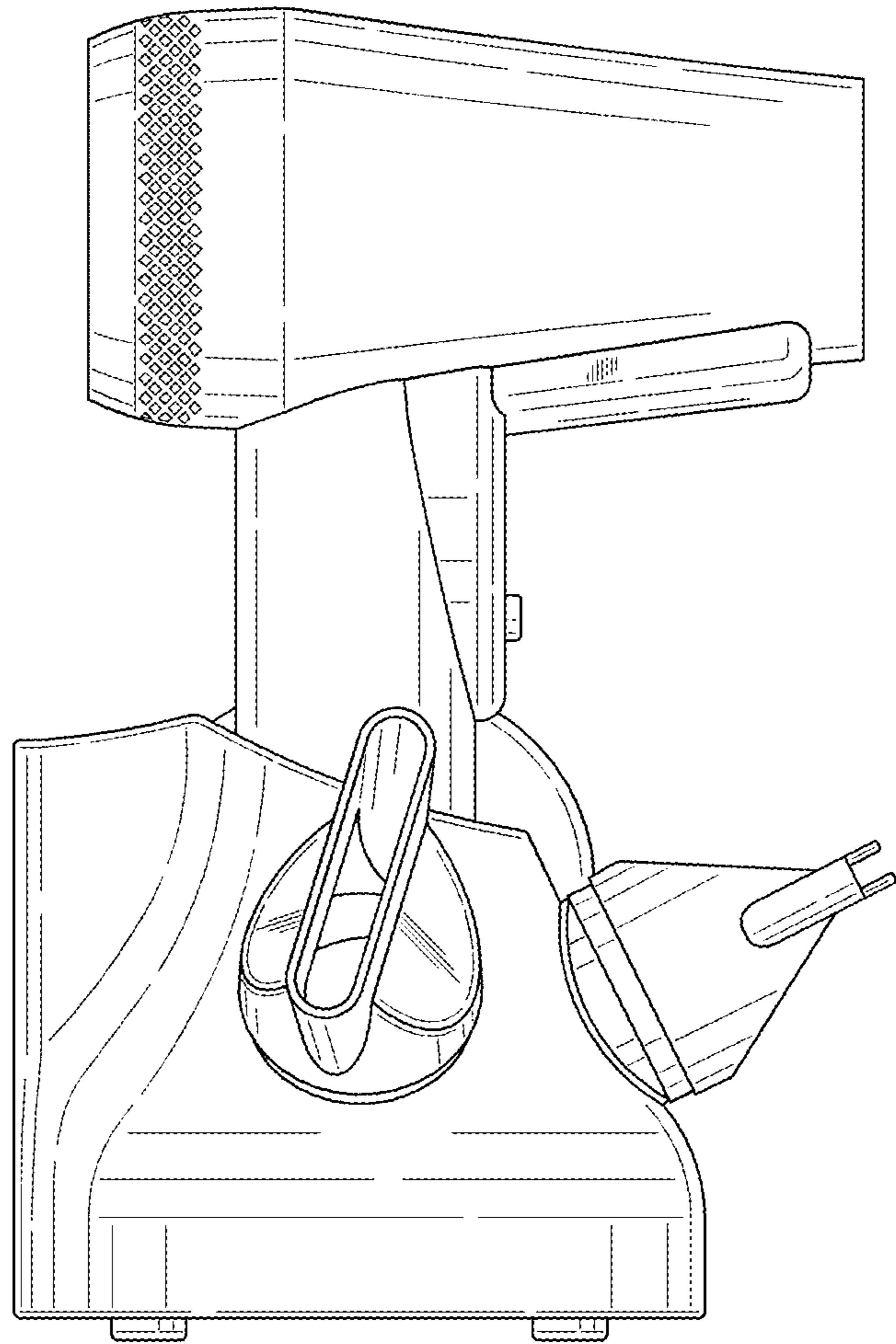


FIG. 7

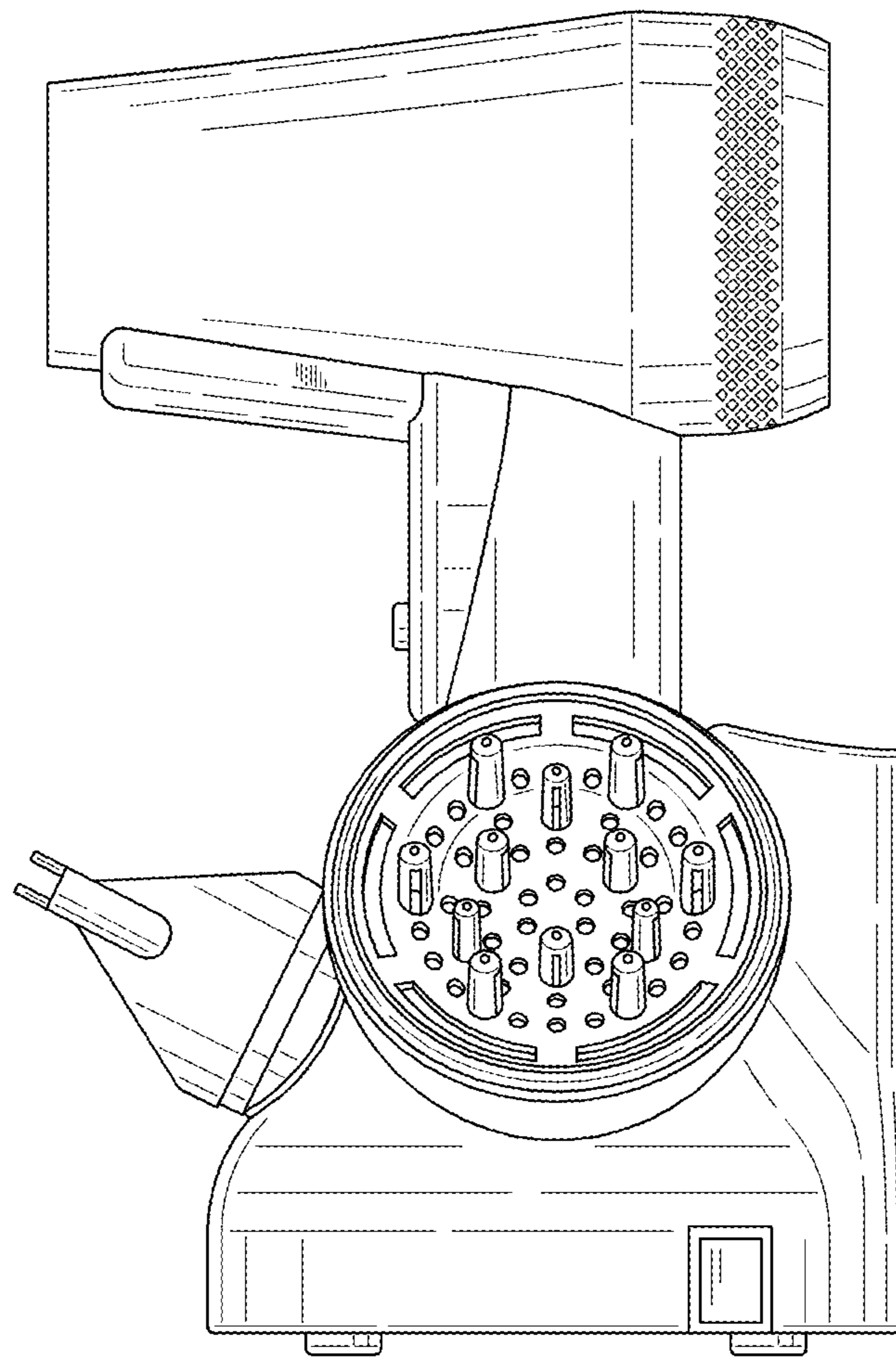


FIG. 8

