



US00D901074S

(12) **United States Design Patent**
Advani et al.

(10) **Patent No.:** **US D901,074 S**

(45) **Date of Patent:** **** Nov. 3, 2020**

(54) **HAIR DRYER**

(71) Applicant: **Tele Marketers, Inc.**, Hoboken, NJ
(US)

(72) Inventors: **Vinay Advani**, Hoboken, NJ (US);
Kunal Advani, Hong Kong (HK)

(73) Assignee: **Tele Marketers, Inc.**, Hoboken, NJ
(US)

(**) Term: **15 Years**

(21) Appl. No.: **29/687,599**

(22) Filed: **Apr. 14, 2019**

(51) **LOC (12) Cl.** **28-03**

(52) **U.S. Cl.**
USPC **D28/13**

(58) **Field of Classification Search**
USPC D28/12-19
CPC A45D 20/00; A45D 20/10; A45D 20/12;
A45D 20/18

See application file for complete search history.

(56) **References Cited**

U.S. PATENT DOCUMENTS

D268,290 S *	3/1983	McBrien	D28/13
D278,085 S *	3/1985	Rittenhouse	D28/13
D281,360 S *	11/1985	Wistrand	D28/13
D286,209 S *	10/1986	Camens	D28/13
D345,042 S *	3/1994	Montagnino	D28/13
D350,414 S *	9/1994	Rizzuto, Jr.	D28/13
D386,815 S *	11/1997	Muller	D28/13

D398,074 S *	9/1998	Nosenchuck	D28/13
D586,037 S *	2/2009	Smith	D28/13
D651,341 S *	12/2011	Schmitz	D28/13
D717,490 S *	11/2014	Sayers	A45D 20/12
				D28/13
D782,733 S *	3/2017	Smith	D28/13

* cited by examiner

Primary Examiner — Zenia I Bennett

(74) *Attorney, Agent, or Firm* — Hill Wallack LLP; Jason DeFrancesco

(57) **CLAIM**

The ornamental design for a hair dryer, as shown and described.

DESCRIPTION

FIG. 1 is an isometric view of the hair dryer in accordance with the new design, whereby the dryer is seated in a base that is shown in broken lines;

FIG. 2 is the isometric view of FIG. 1 without said base;

FIG. 3 is a rear elevational view of the hair dryer in accordance with the new design;

FIG. 4 is a front elevational view thereof;

FIG. 5 is a top plan view thereof;

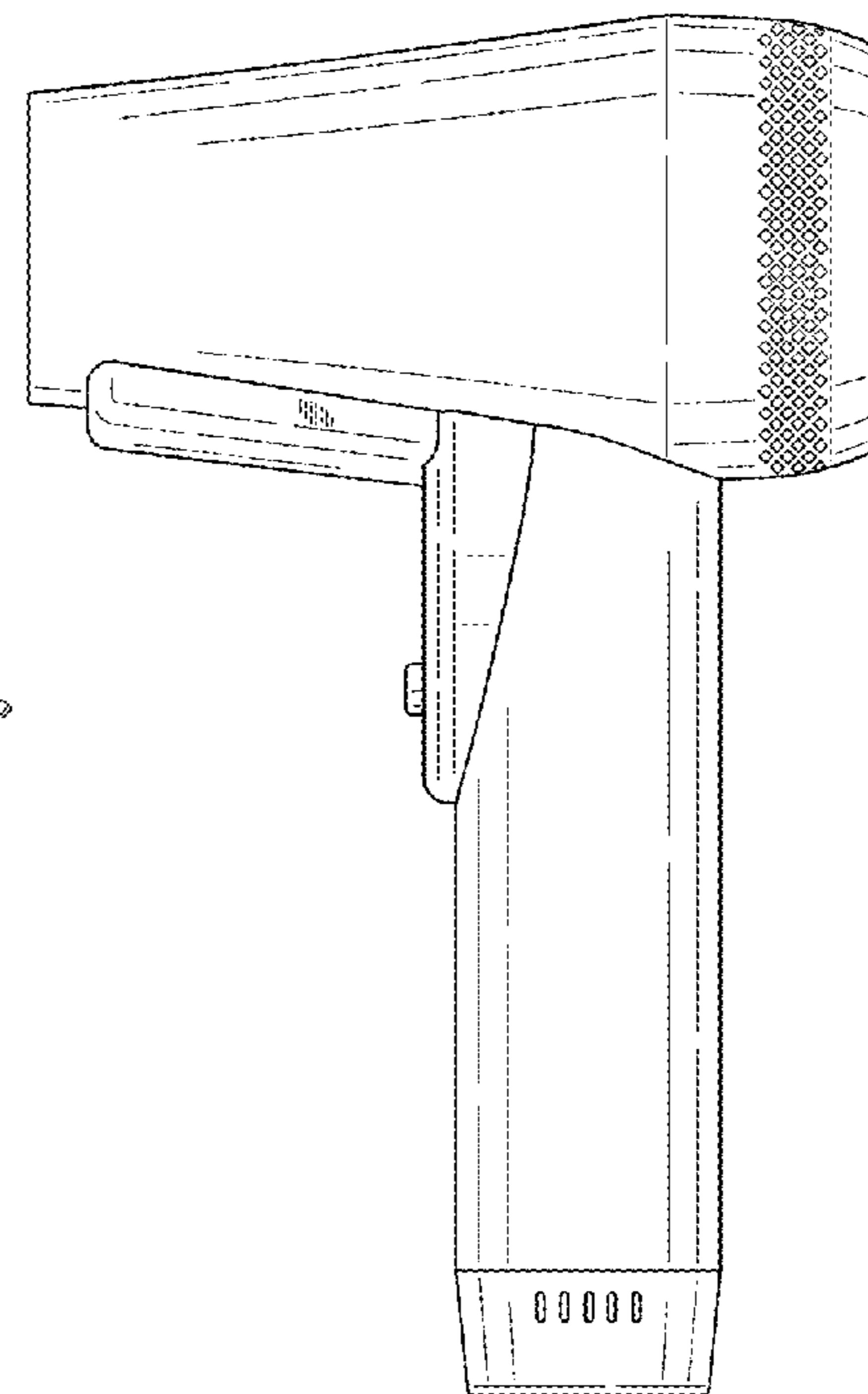
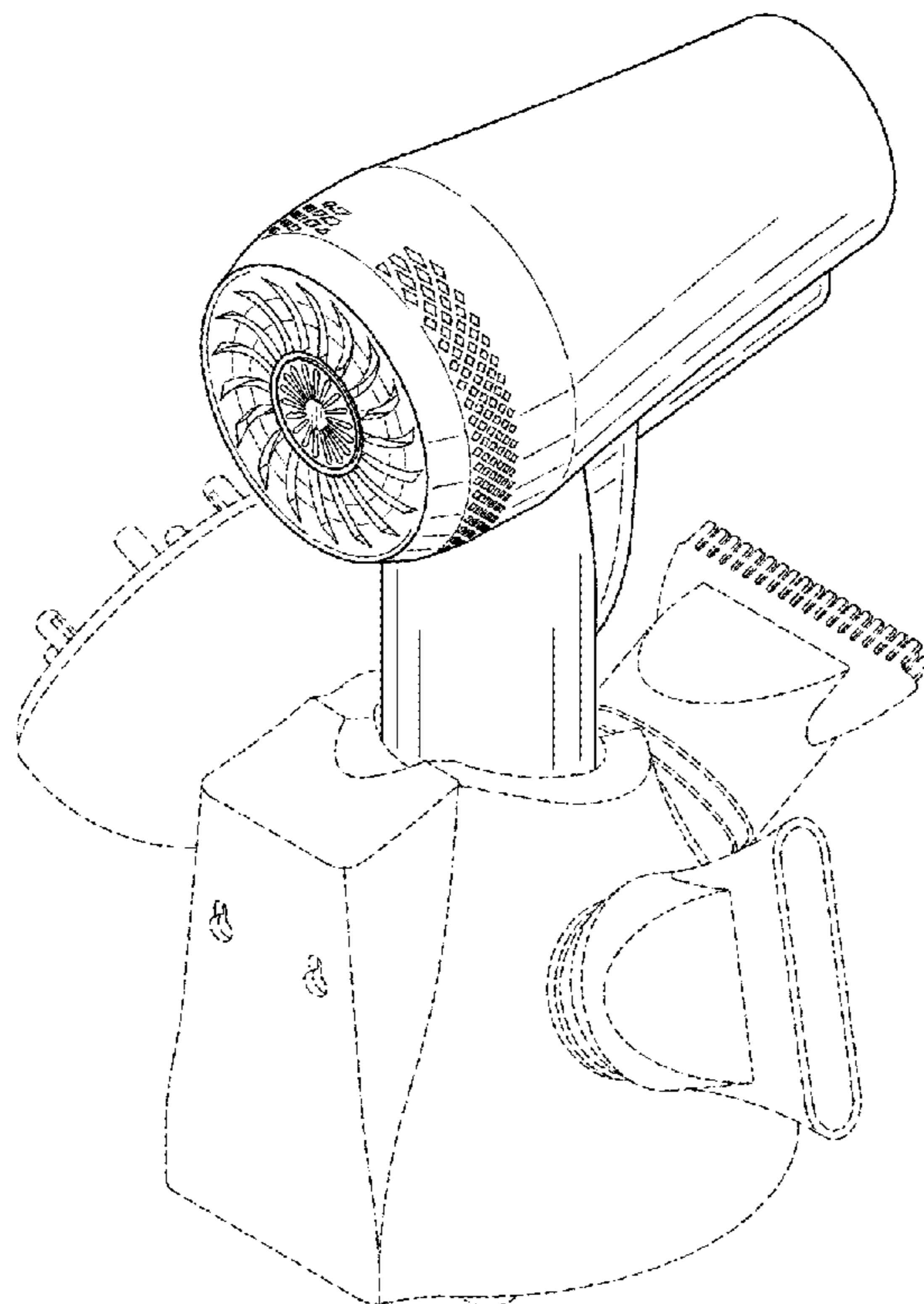
FIG. 6 is bottom plan view thereof;

FIG. 7 is a left side view thereof; and,

FIG. 8 is a right side view thereof.

Broken lines in FIG. 1 are for illustrative purposes only and form no part of the design.

1 Claim, 3 Drawing Sheets



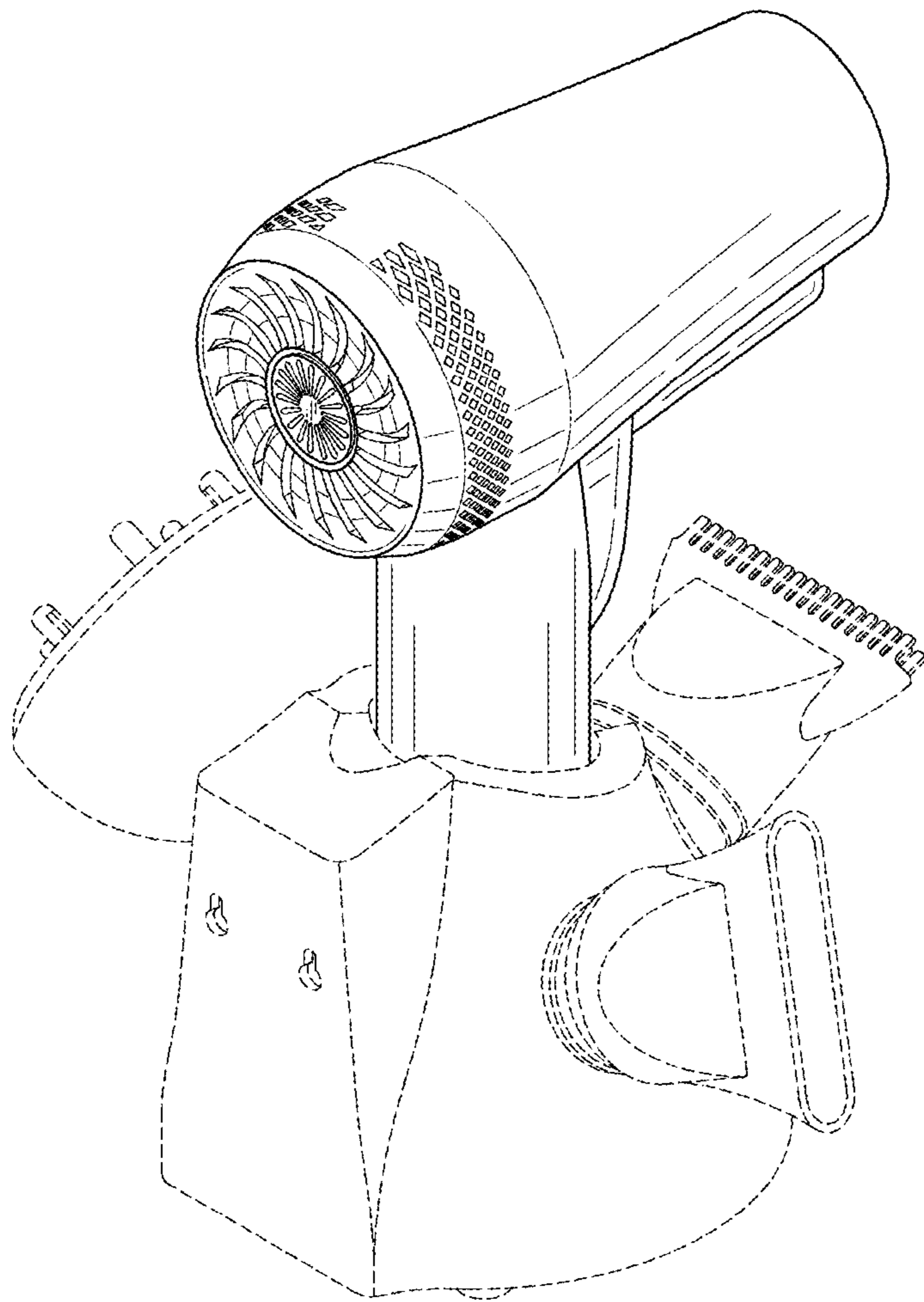


FIG. 1

FIG. 2

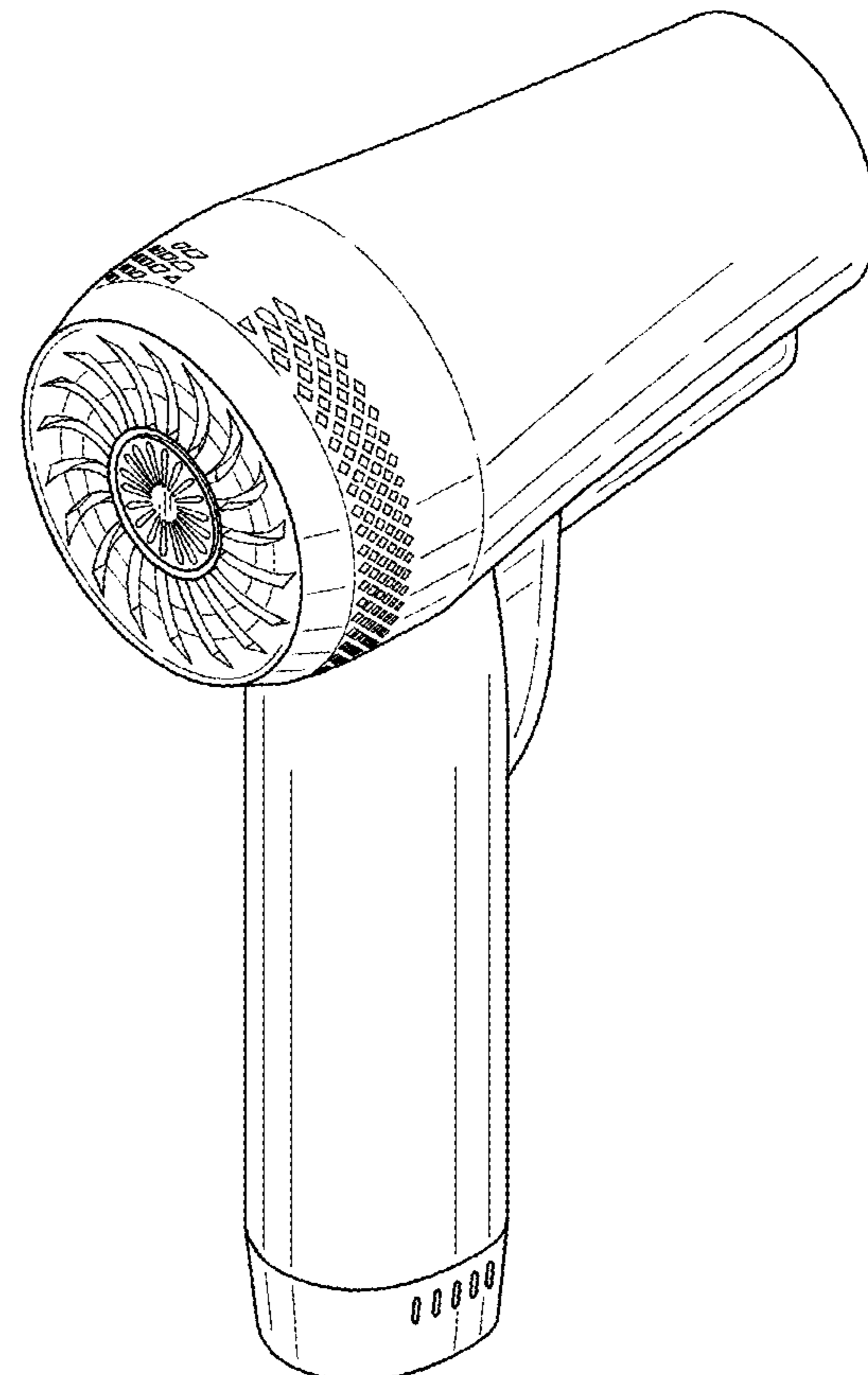


FIG 3

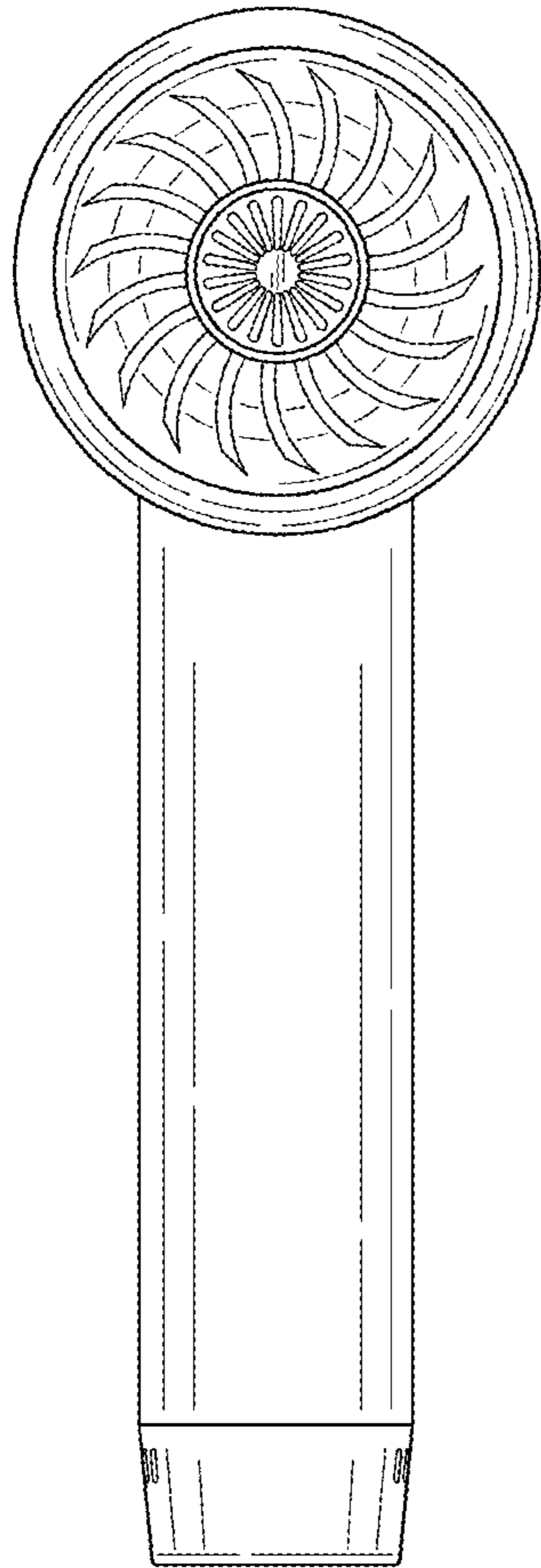


FIG 4

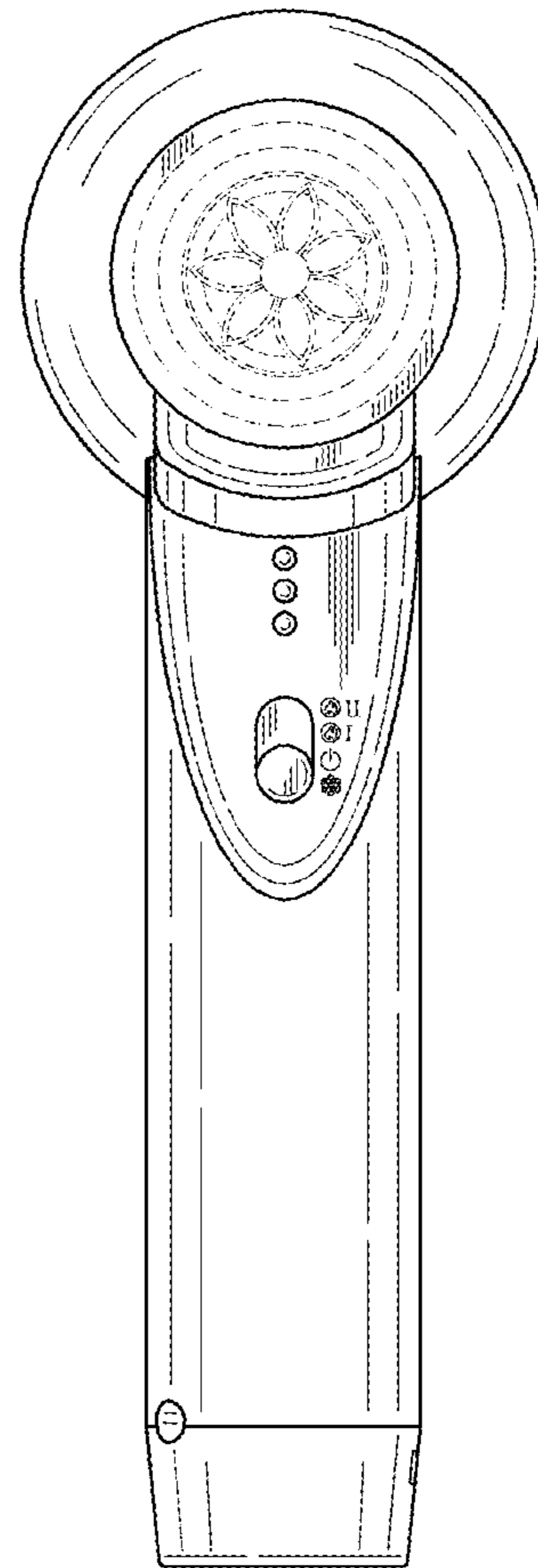


FIG 5

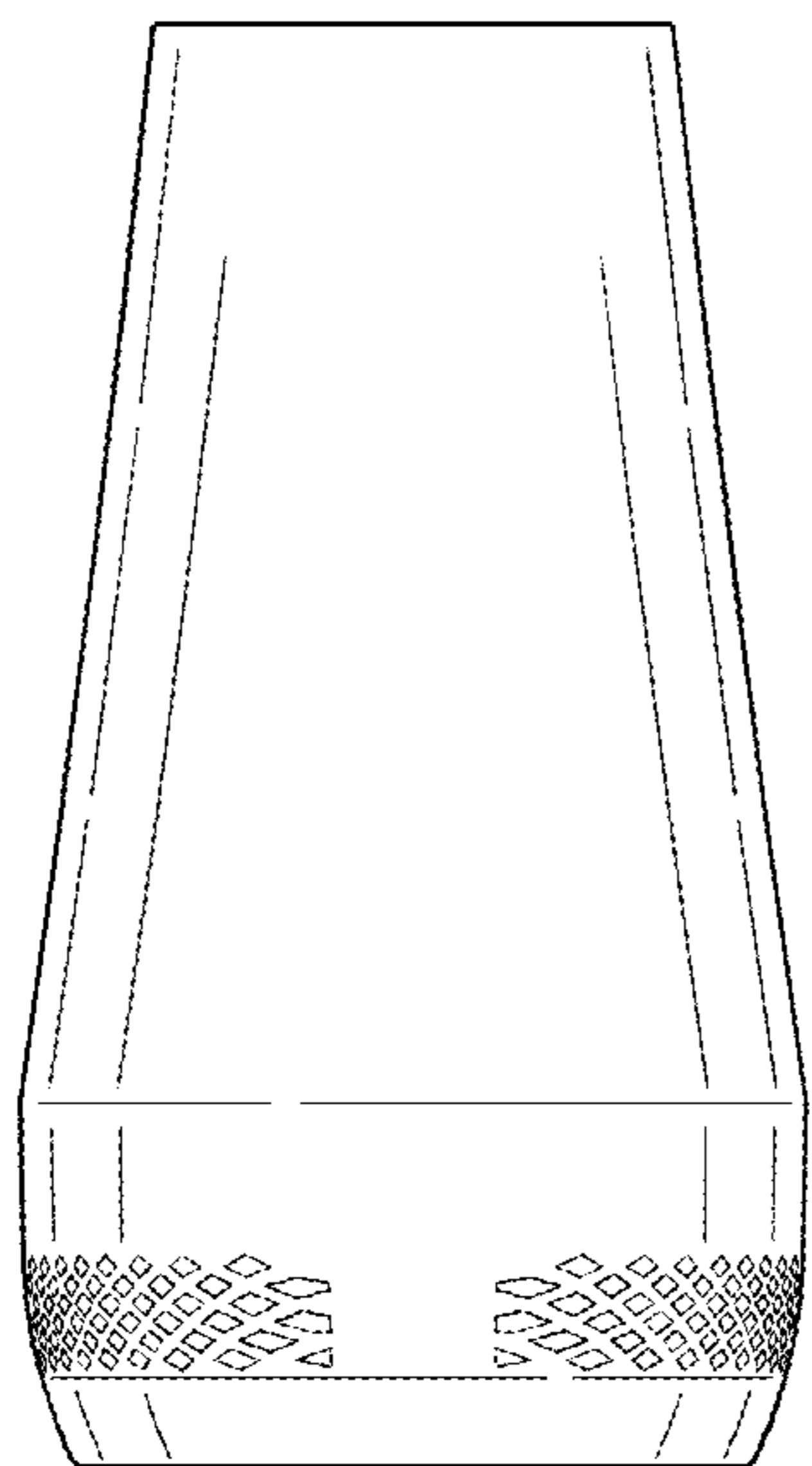


FIG 6

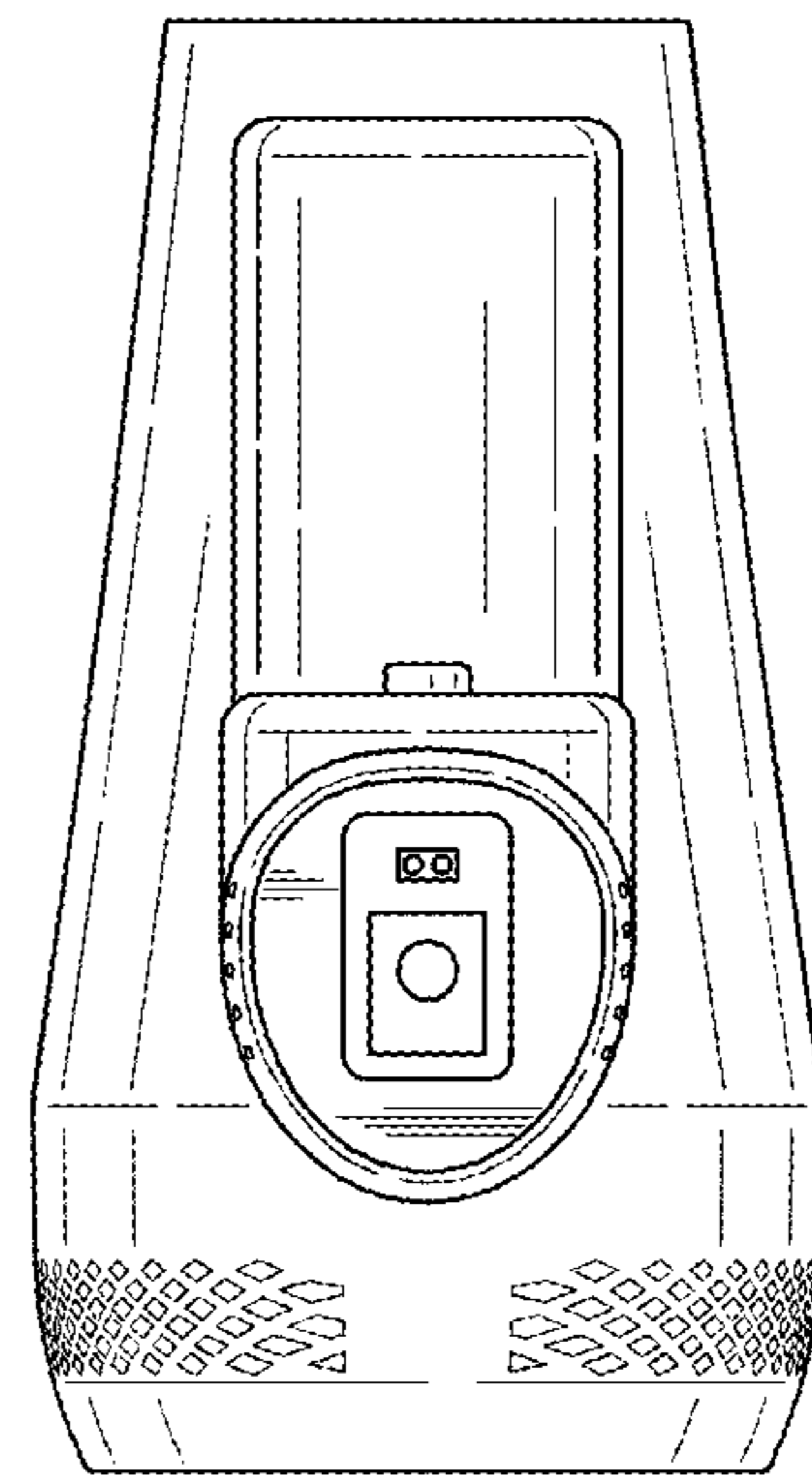


FIG. 7

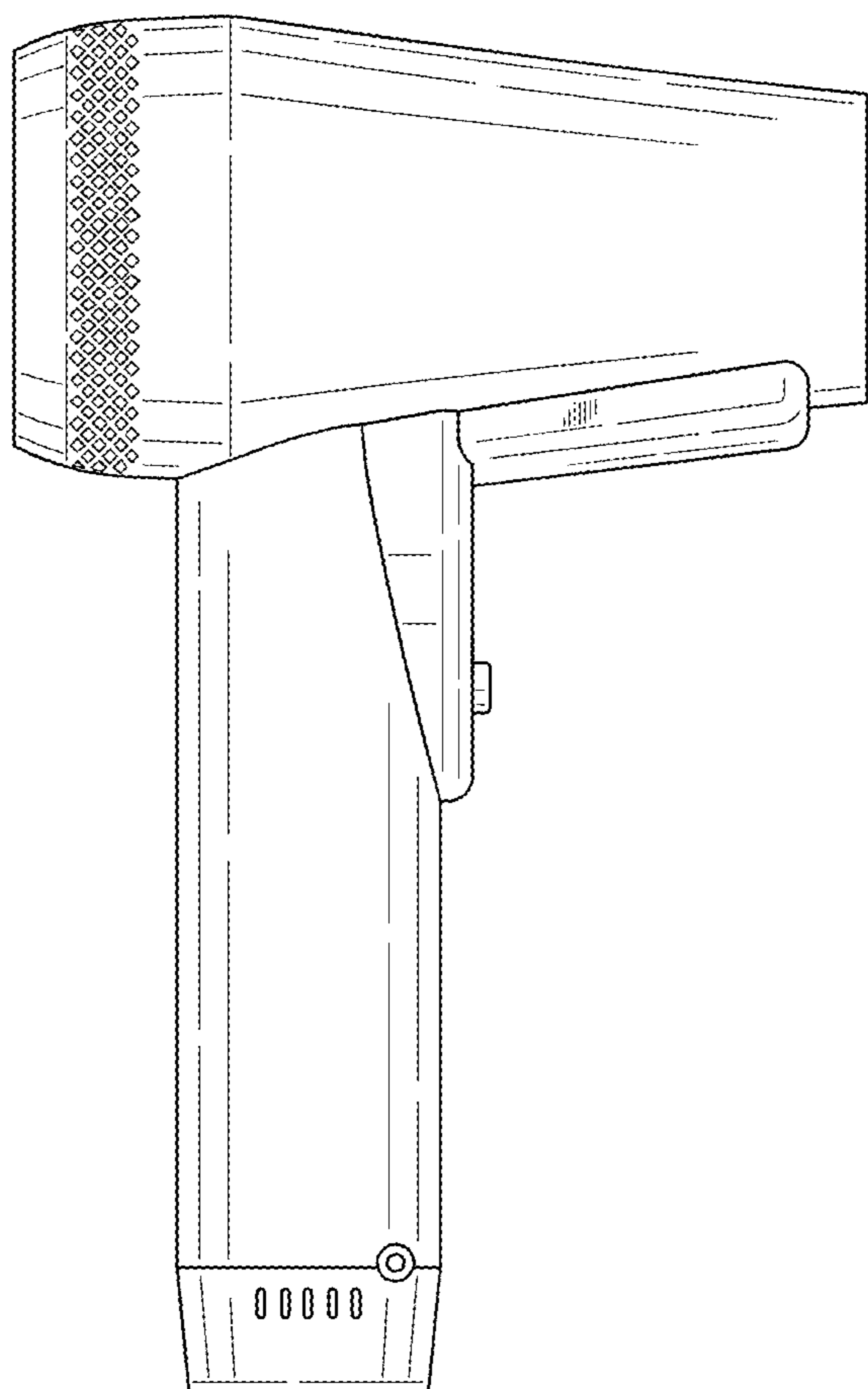


FIG. 8

