



US00D901070S

(12) **United States Design Patent** (10) **Patent No.:** **US D901,070 S**
Spektor (45) **Date of Patent:** **** Nov. 3, 2020**

(54) **HOLDER FOR CIGARS AND CIGARETTES**

OTHER PUBLICATIONS

(71) Applicant: **Yefim Spektor**, Mason, OH (US)

<https://web.archive.org/web/20110510024200/https://www.tclipgolf.com/>, showing device publicly disclosed as early as May 10, 2011. Accessed on Jun. 10, 2019.

(72) Inventor: **Yefim Spektor**, Mason, OH (US)

(**) Term: **15 Years**

* cited by examiner

(21) Appl. No.: **29/656,686**

Primary Examiner — Marissa J Cash

Assistant Examiner — Rebecca Tsehaye

(22) Filed: **Jul. 16, 2018**

(74) *Attorney, Agent, or Firm* — Frost Brown Todd LLC

(51) **LOC (12) Cl.** **27-06**

(57) **CLAIM**

(52) **U.S. Cl.**
USPC **D27/183**

The ornamental design for a holder for cigars and cigarettes, as shown and described.

(58) **Field of Classification Search**

DESCRIPTION

USPC D27/183, 192, 172, 194, 138; D21/793, D21/796; D8/395, 396; 131/187, 260, 131/257, 259; 206/242
CPC A24F 13/02; A24F 13/08; A24F 13/12; A24F 13/00
See application file for complete search history.

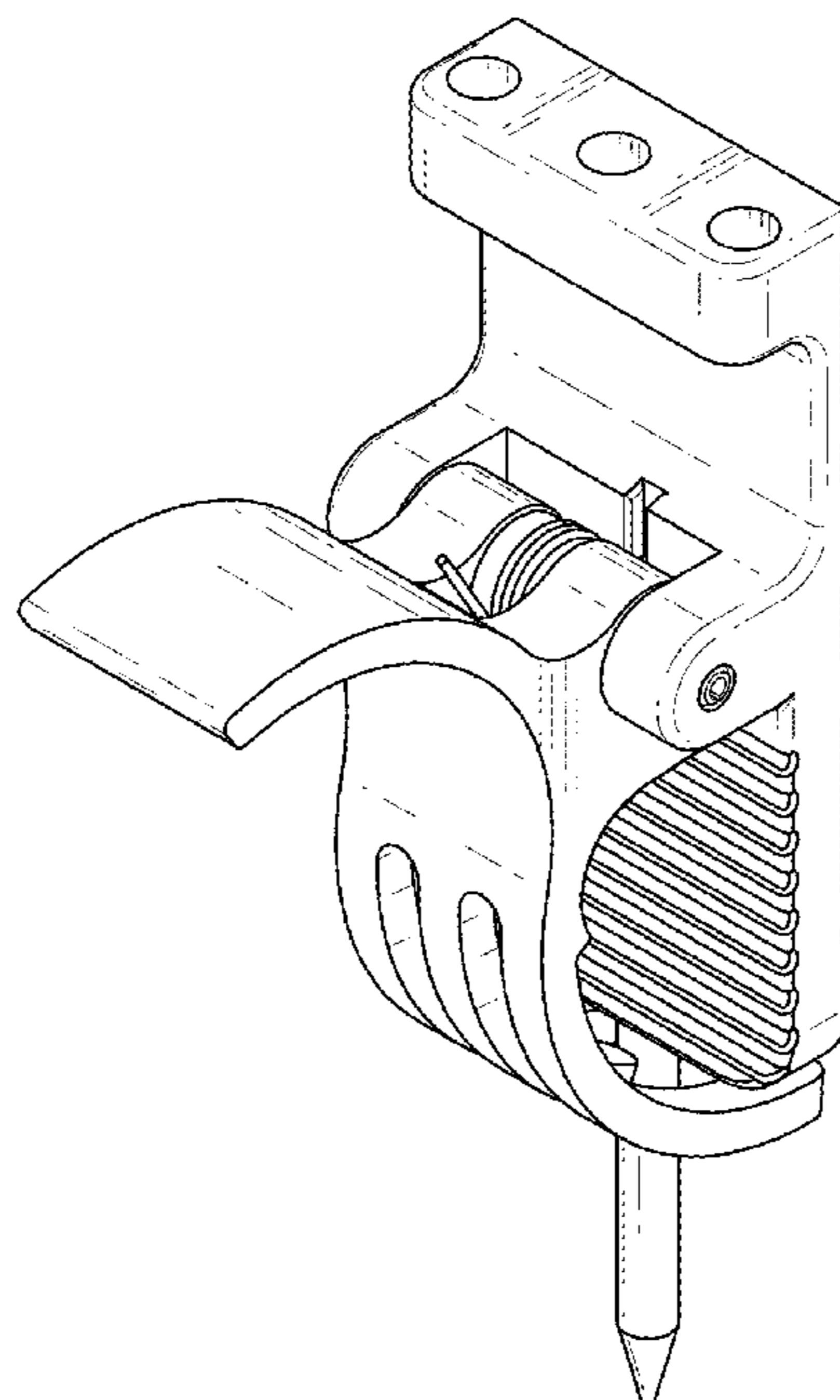
FIG. 1 is a front upper perspective view of a holder for cigars and cigarettes, showing my new design;
FIG. 2 is a front elevational view of the holder for cigars and cigarettes of FIG. 1;
FIG. 3 is a rear elevational view of the holder for cigars and cigarettes of FIG. 1;
FIG. 4 is a right elevational view of the holder for cigars and cigarettes of FIG. 1;
FIG. 5 is a left elevational view of the holder for cigars and cigarettes of FIG. 1, which is a mirror image of the right elevational view of FIG. 4;
FIG. 6 is top plan view of the holder for cigars and cigarettes of FIG. 1;
FIG. 7 is a bottom plan view of the holder for cigars and cigarettes of FIG. 1;
FIG. 8 is a front lower perspective view of the holder for cigars and cigarettes of FIG. 1; and,
FIG. 9 is a rear upper perspective view of the holder for cigars and cigarettes of FIG. 1.

(56) **References Cited**

U.S. PATENT DOCUMENTS

D375,815 S *	11/1996	Kagasoff	D21/793
D379,551 S *	5/1997	Hubbard	D27/183
D385,059 S *	10/1997	Jenkins	D27/183
D392,410 S *	3/1998	Lukach	D27/183
D417,838 S *	12/1999	Kim	D8/382
D485,393 S *	1/2004	Cervantes	D27/183
D508,295 S *	8/2005	Tadych	D27/161
D829,090 S *	9/2018	Toll	D8/396
D844,238 S *	3/2019	Nellestein	D27/183
D844,239 S *	3/2019	Nellestein	D27/183
D857,986 S *	8/2019	Nellestein	D27/183
2020/0015517 A1 *	1/2020	Spektor	A63B 57/203

1 Claim, 6 Drawing Sheets



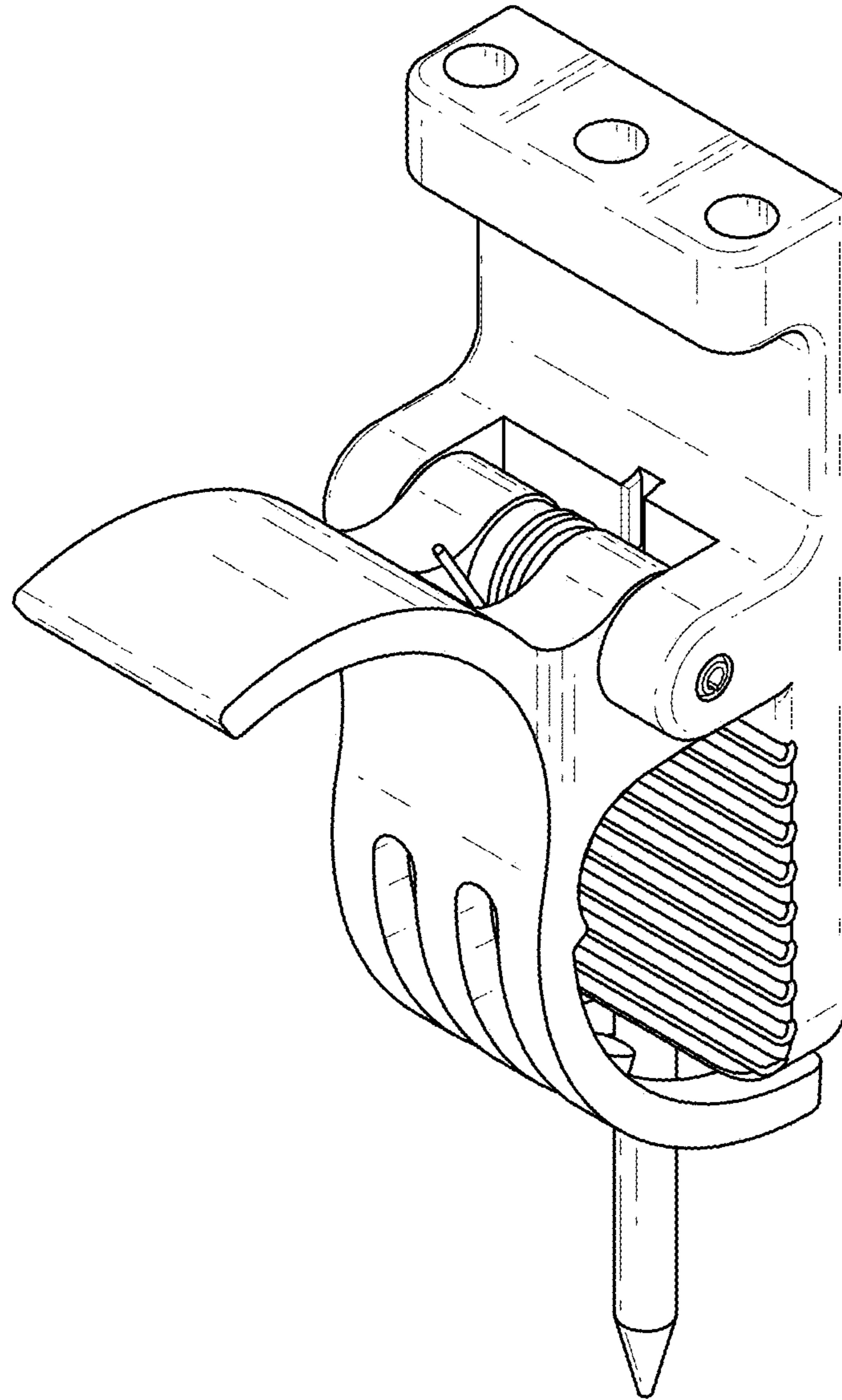


FIG. 1

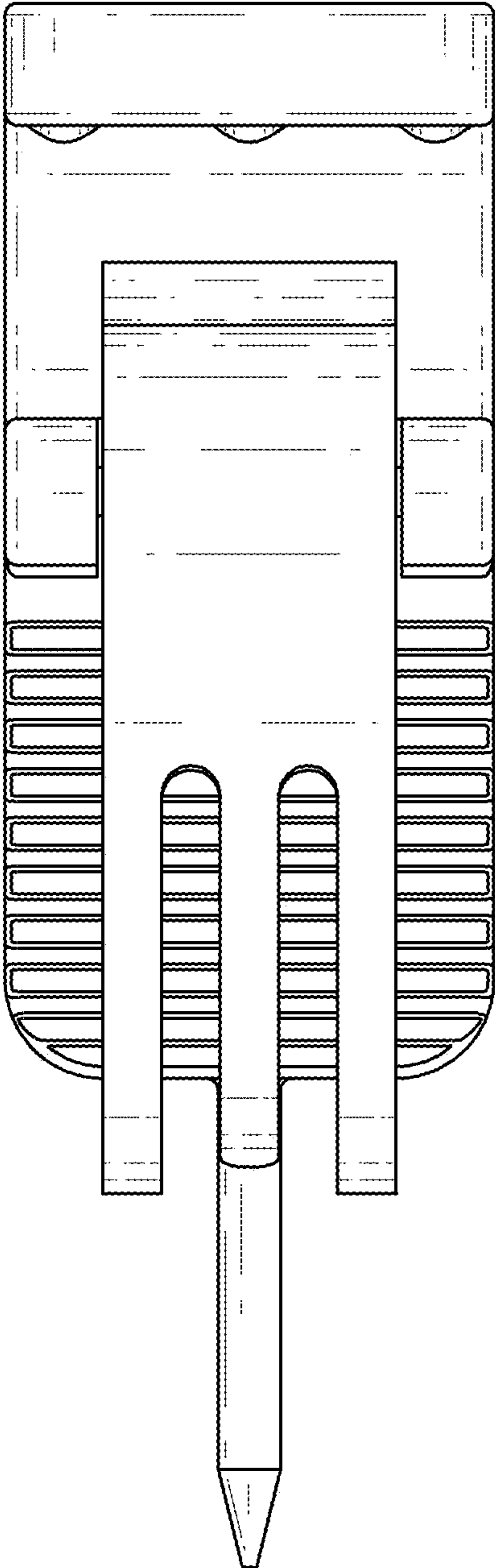


FIG. 2

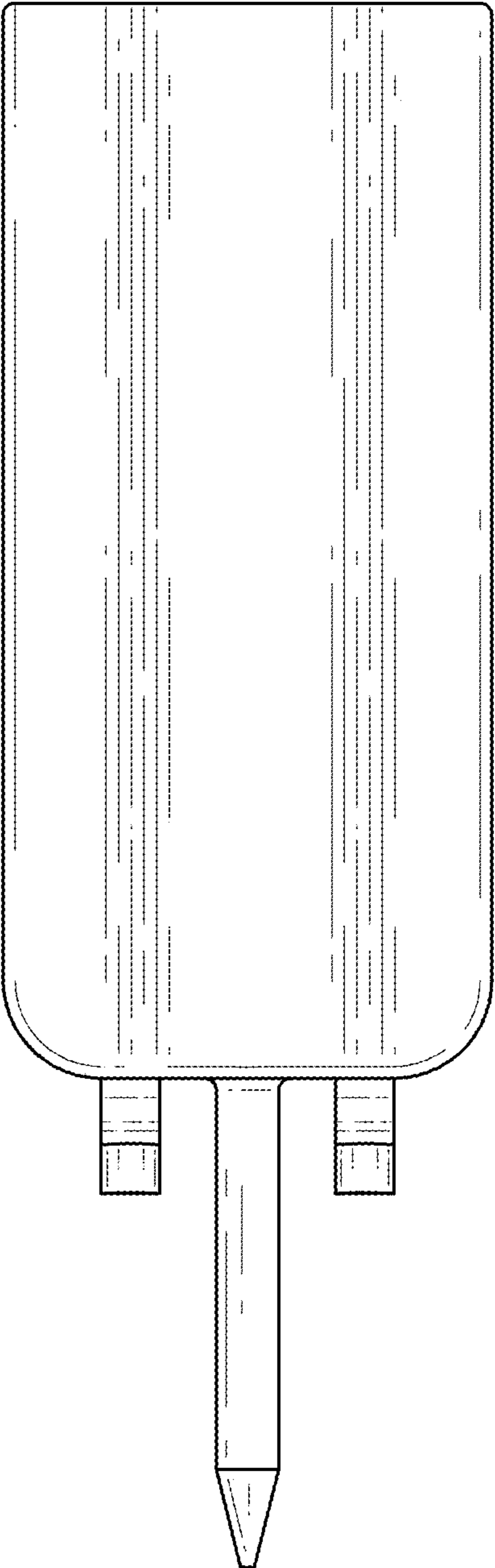


FIG. 3

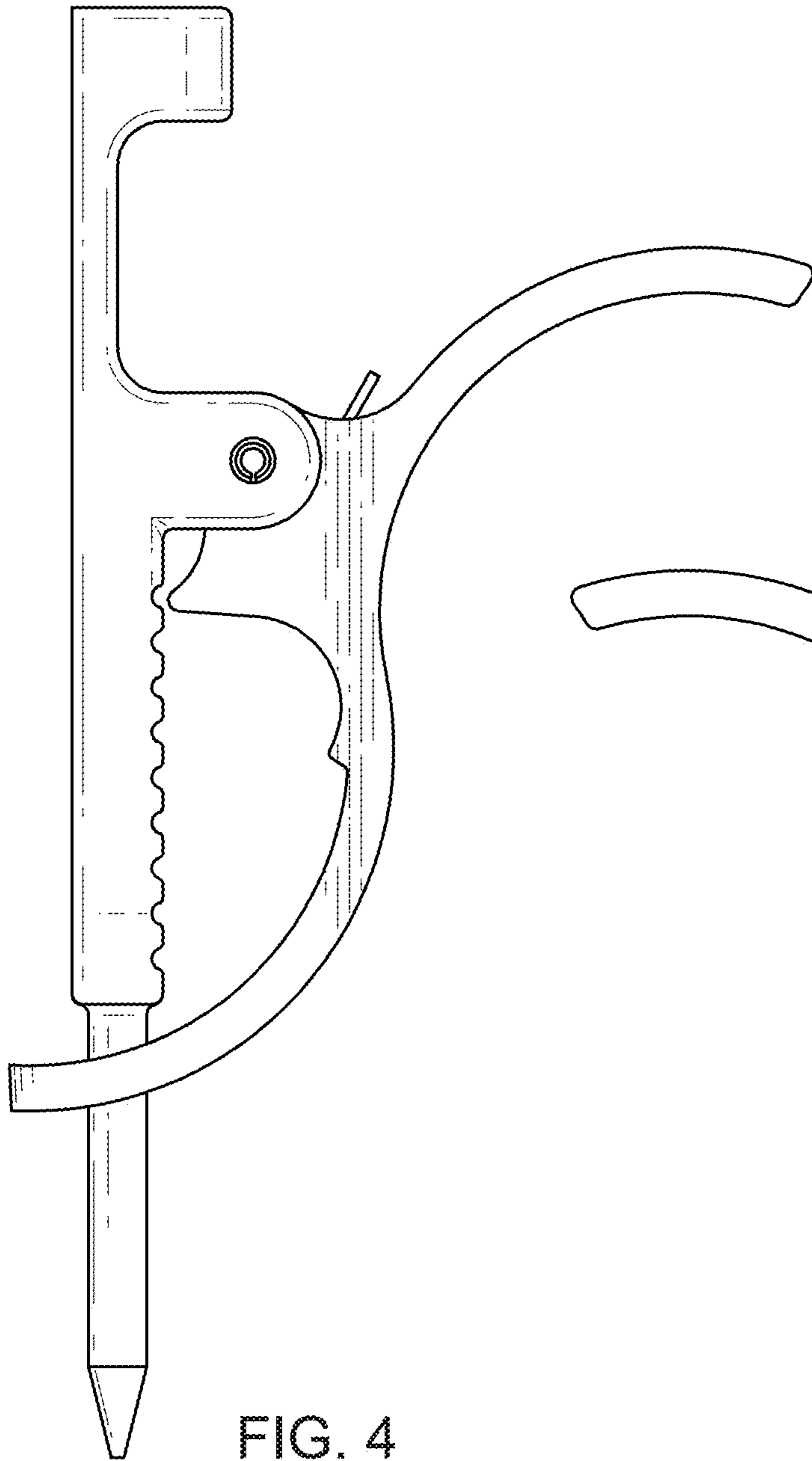


FIG. 4

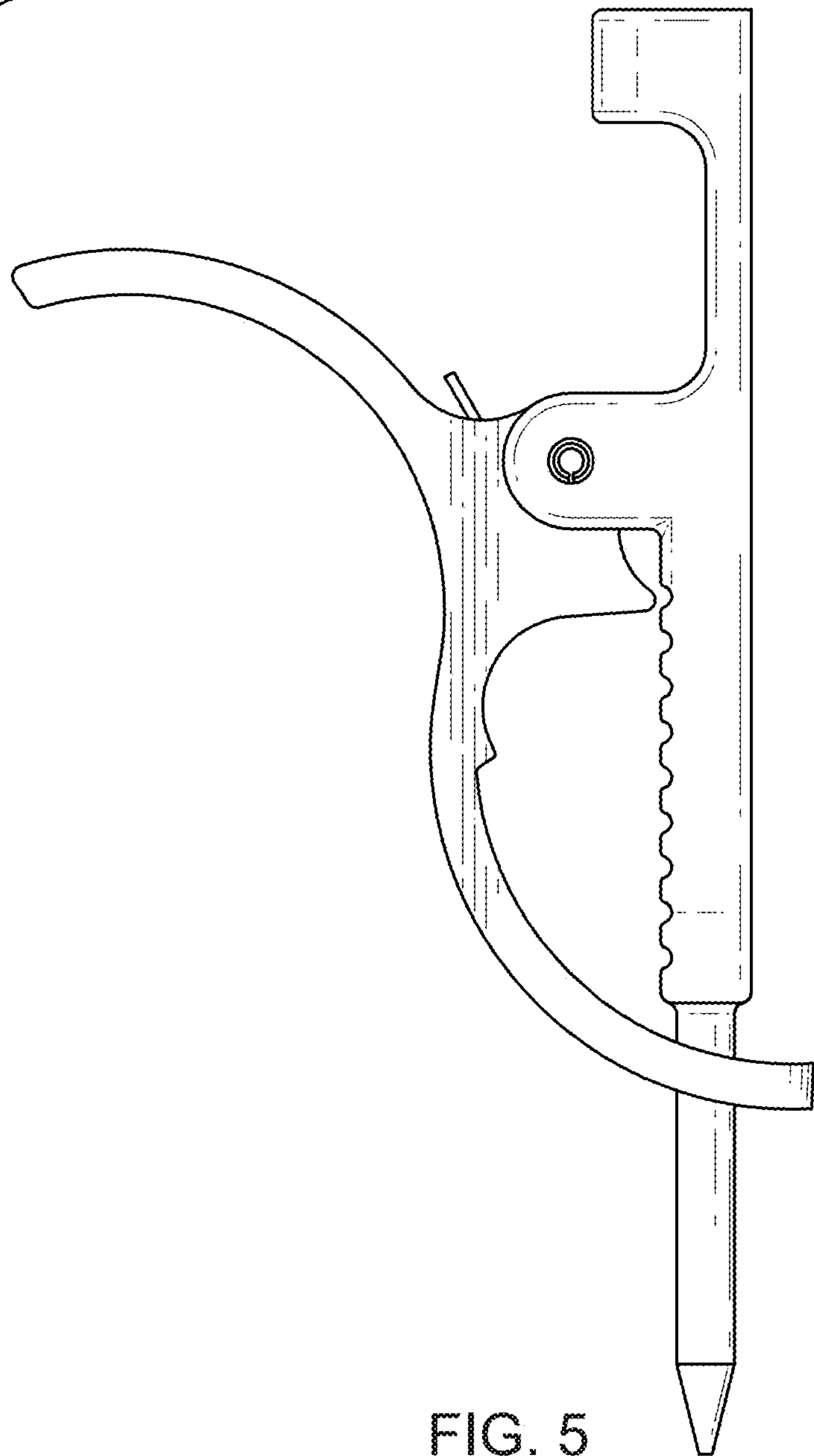


FIG. 5

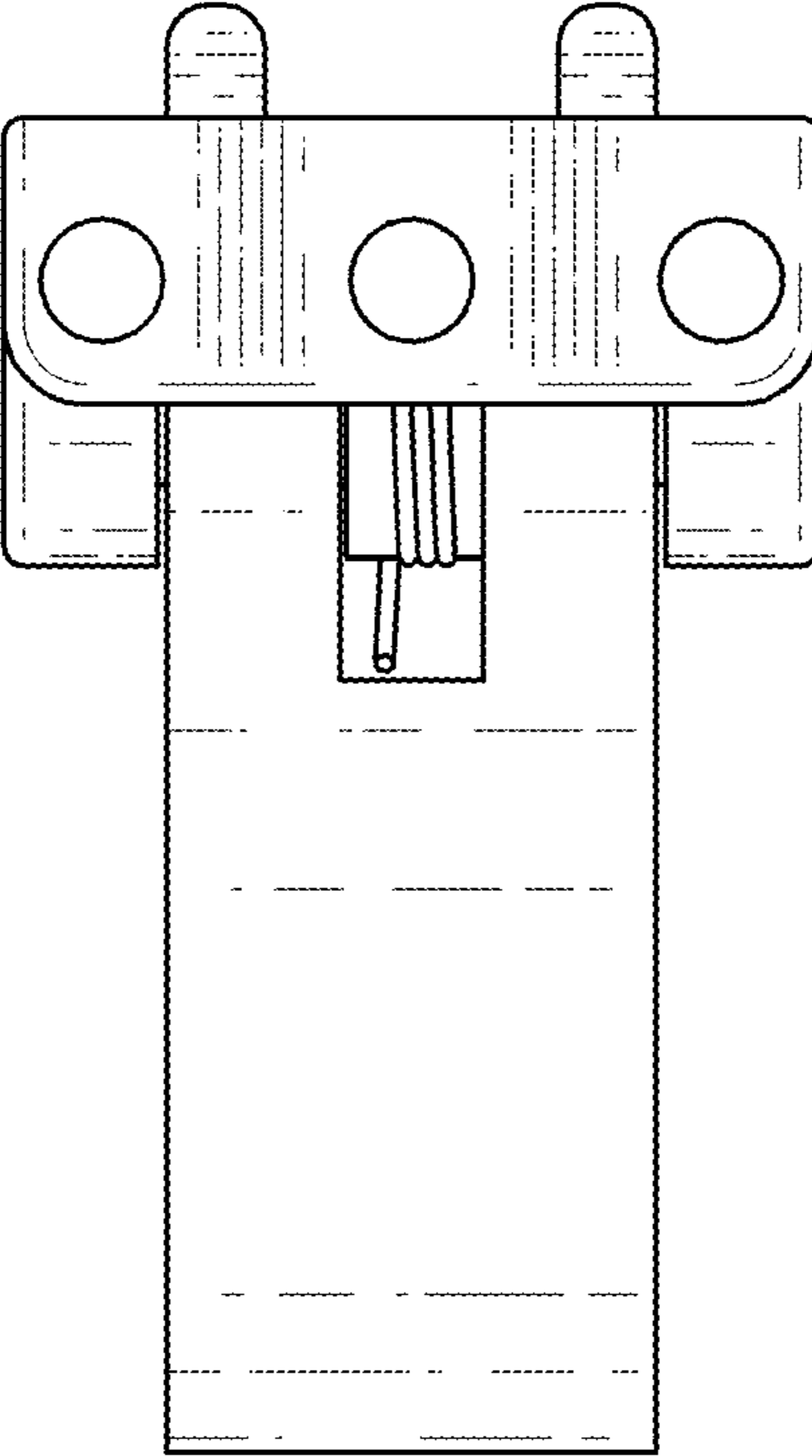


FIG. 6

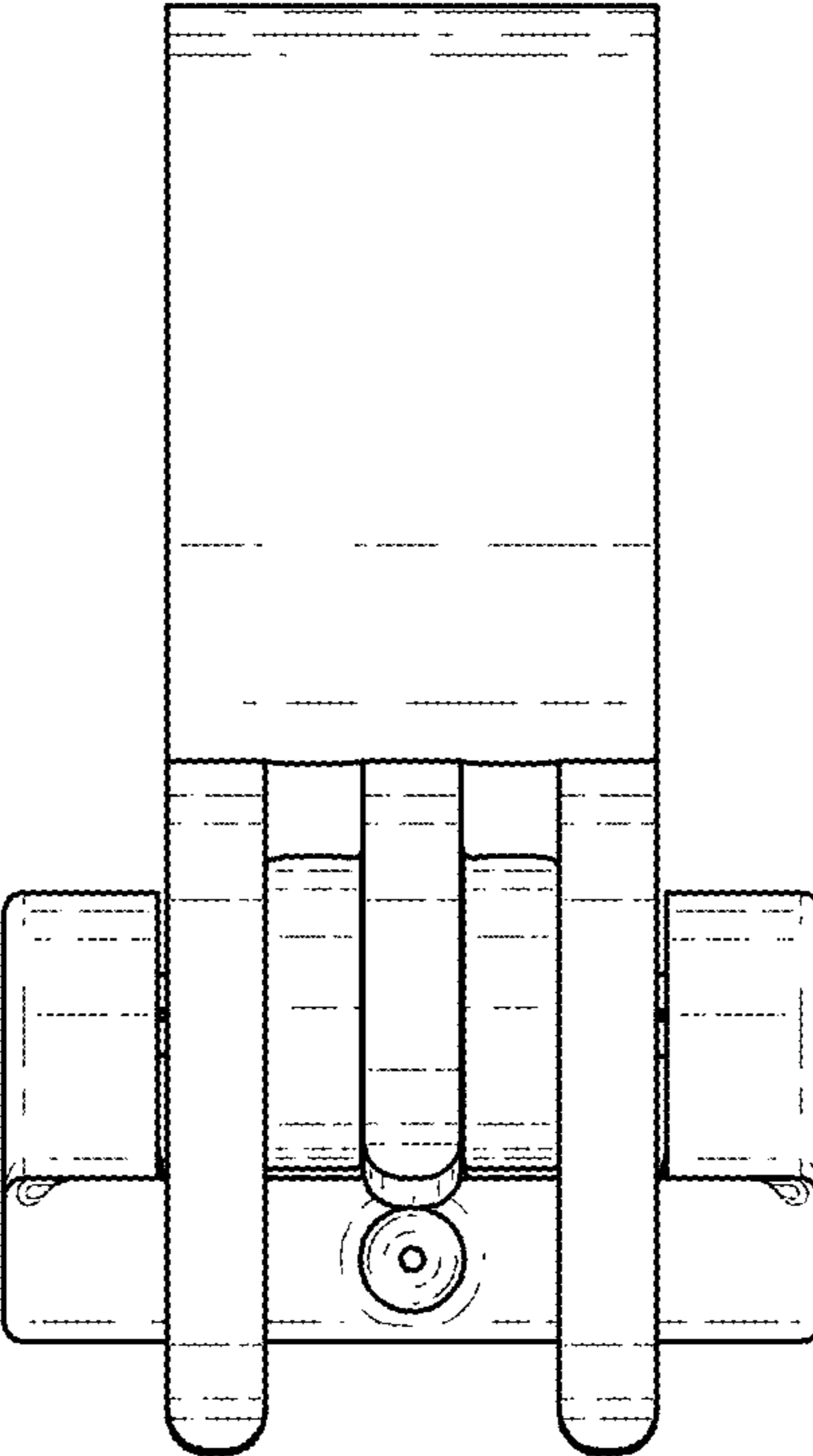


FIG. 7

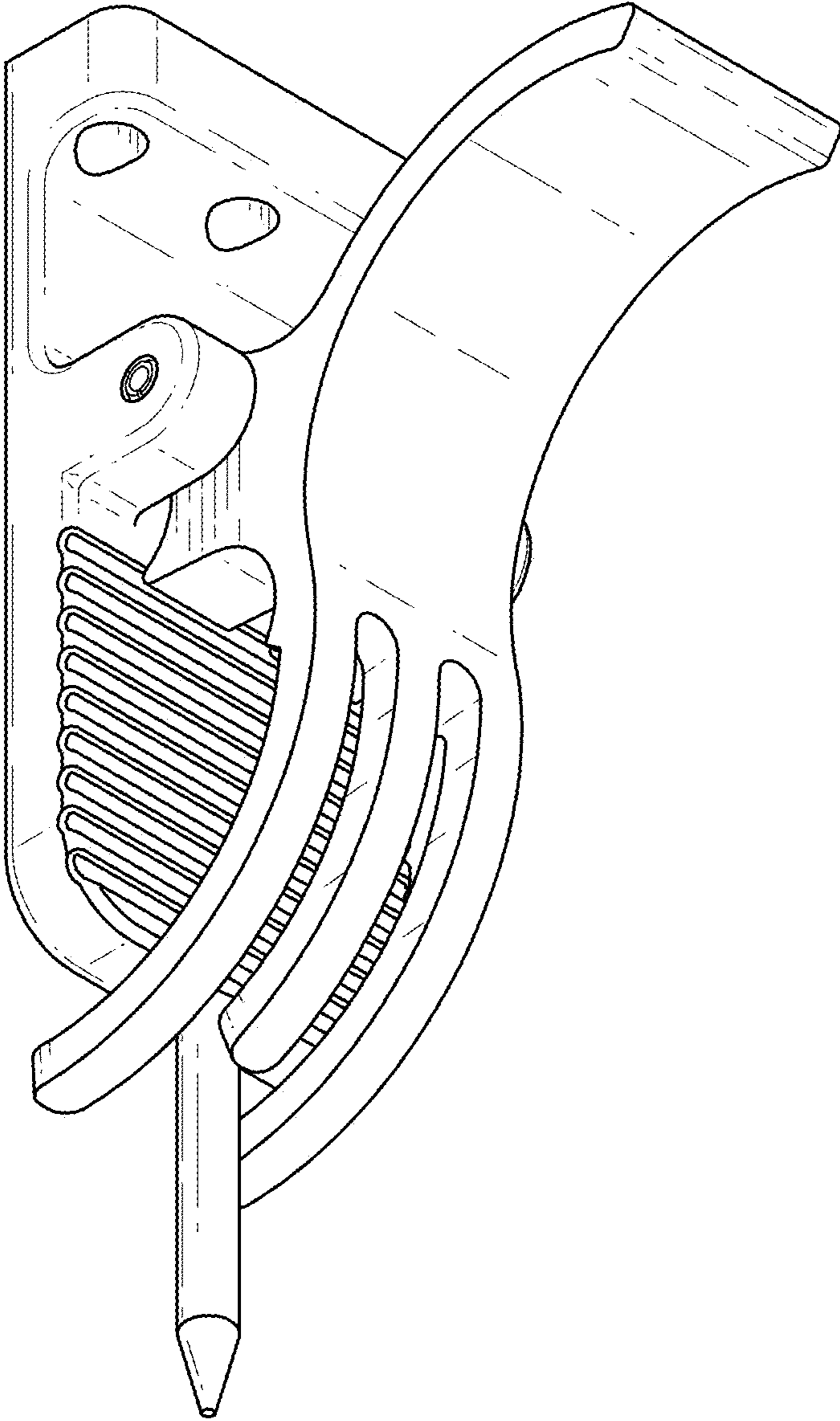


FIG. 8

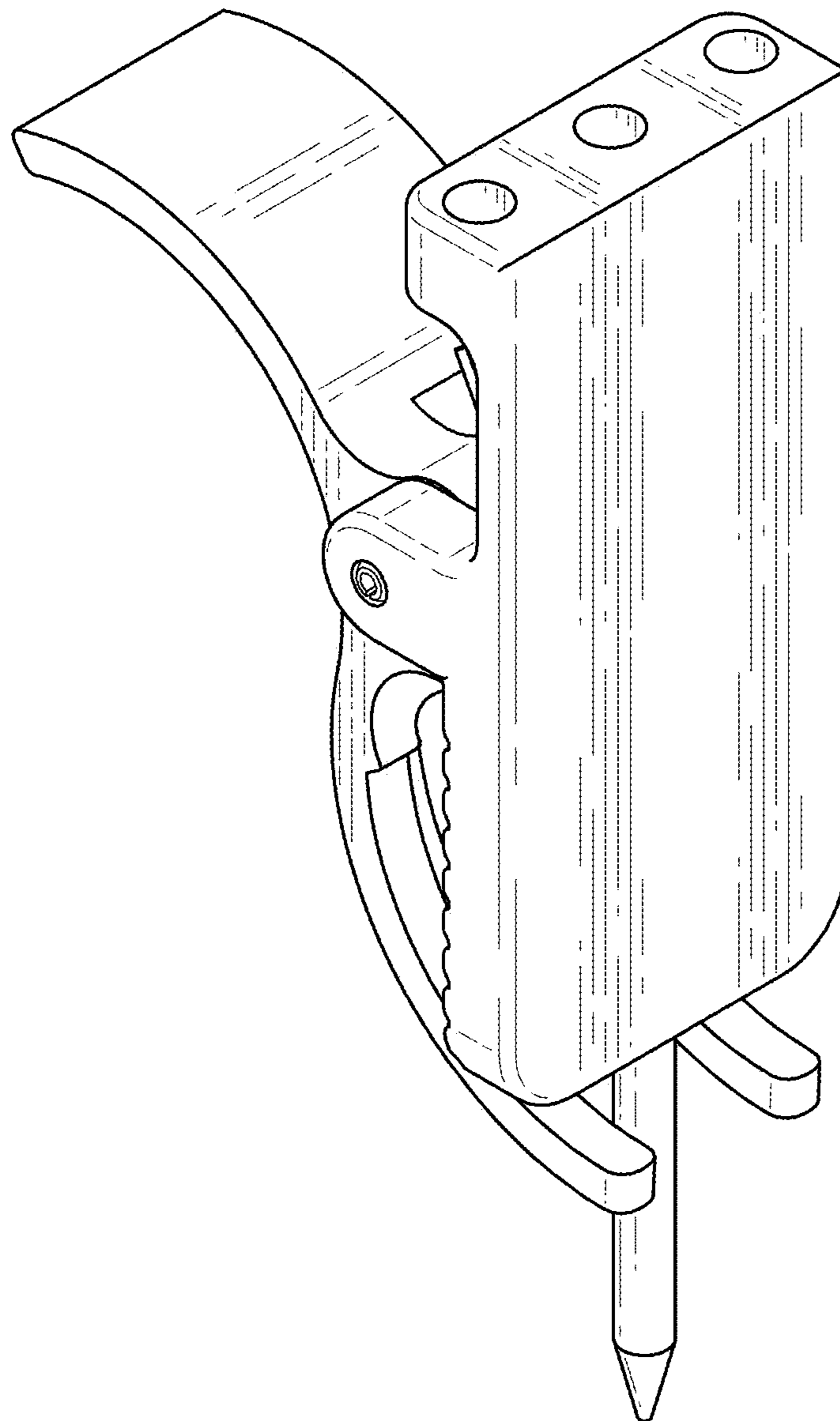


FIG. 9