



US00D901069S

(12) **United States Design Patent** (10) **Patent No.:** **US D901,069 S**
Stone (45) **Date of Patent:** **** Nov. 3, 2020**

- (54) **ELECTRONIC CIGARETTE**
- (71) Applicant: **Altria Client Services LLC**,
Richmond, VA (US)
- (72) Inventor: **Mitchell Stone**, Staffordshire (GB)
- (73) Assignee: **Altria Client Services LLC**,
Richmond, VA (US)
- (**) Term: **15 Years**
- (21) Appl. No.: **29/710,972**
- (22) Filed: **Oct. 28, 2019**

Related U.S. Application Data

- (62) Division of application No. 29/662,845, filed on Sep. 10, 2018, now Pat. No. Des. 878,671, which is a division of application No. 29/592,191, filed on Jan. 27, 2017, now Pat. No. Des. 829,369.

Foreign Application Priority Data

- (30) Jul. 31, 2016 (EM) 003325349-0001
- Jul. 31, 2016 (EM) 003325349-0002
- Jul. 31, 2016 (EM) 003325349-0003
- Jul. 31, 2016 (EM) 003325349-0004
- Jul. 31, 2016 (EM) 003325349-0005
- Jul. 31, 2016 (EM) 003325349-0006
- Jul. 31, 2016 (EM) 003325349-0007
- Jul. 31, 2016 (EM) 003325349-0008
- (51) **LOC (12) Cl.** **12-01**
- (52) **U.S. Cl.**
USPC **D27/101**
- (58) **Field of Classification Search**
USPC D27/100, 101, 162-196; D8/499;
D23/366
CPC A24F 47/008; A24F 47/002; A24F 15/14;
A24F 40/20; A24F 47/00
See application file for complete search history.

(56) **References Cited**

U.S. PATENT DOCUMENTS

- D142,842 S 11/1945 Daze
- D167,230 S 7/1952 Rehfeld
- D223,879 S 6/1972 Chernack
- (Continued)

FOREIGN PATENT DOCUMENTS

- CN 303162041 S 4/2015
- CN 303482767 S 12/2015
- (Continued)

OTHER PUBLICATIONS

Notice of Allowance dated Nov. 19, 2019, issued in corresponding U.S. Appl. No. 29/662,845.

(Continued)

Primary Examiner — Marissa J Cash

(74) *Attorney, Agent, or Firm* — Harness, Dickey & Pierce, P.L.C.

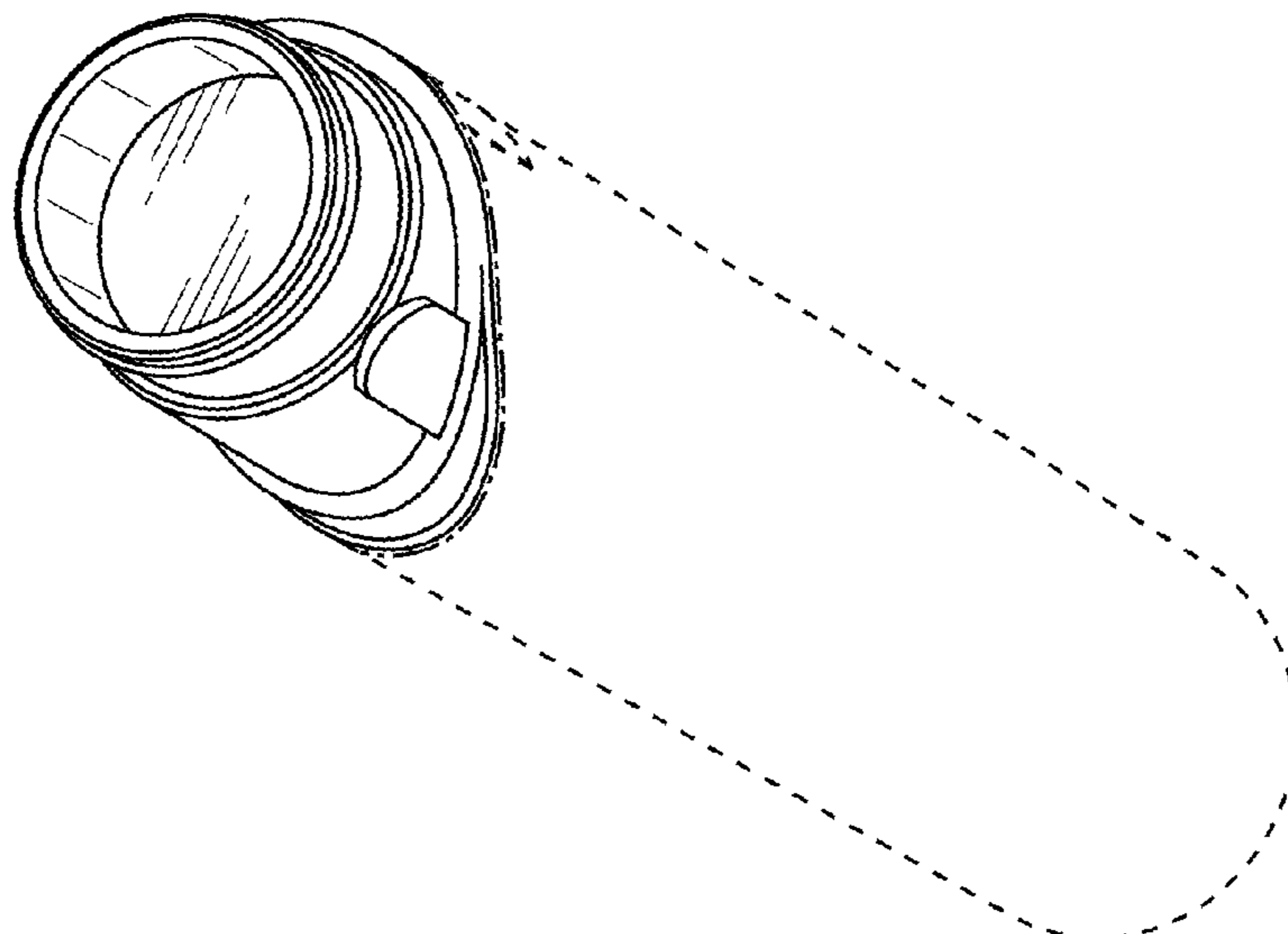
(57) **CLAIM**

The ornamental design for an electronic cigarette, as shown and described.

DESCRIPTION

FIG. 1 is a perspective view of an electronic cigarette; FIG. 2 is a front view of the electronic cigarette; FIG. 3 is a rear view of the electronic cigarette; FIG. 4 is a left side view of the electronic cigarette; FIG. 5 is a right side view of the electronic cigarette; FIG. 6 is a top view of the electronic cigarette; and, FIG. 7 is a bottom view of the electronic cigarette. The evenly spaced broken lines in the drawings depict portions of the electronic cigarette that form no part of the claimed design; the dash-dot-dash line represents a boundary of the claimed design.

1 Claim, 7 Drawing Sheets



(56)

References Cited

U.S. PATENT DOCUMENTS

D224,760 S	9/1972	Chernack	D780,993 S	3/2017	Bramley et al.
D272,184 S	1/1984	Karpowicz	D782,108 S	3/2017	Jordan et al.
D281,011 S	10/1985	Helfer	D782,728 S	3/2017	Pinder
D436,225 S	1/2001	Garofano et al.	D786,497 S	5/2017	Sudlow et al.
6,357,448 B1	3/2002	Sinclair, Jr.	D787,114 S *	5/2017	Scott D27/194
D532,927 S	11/2006	Sann	D790,123 S	6/2017	Beer et al.
D590,991 S	4/2009	Hon	D790,124 S	6/2017	Beer et al.
D632,014 S	2/2011	Lee	D790,125 S	6/2017	Beer et al.
D655,038 S	2/2012	Zhou	D790,680 S	6/2017	Afridi
D666,355 S	8/2012	Alelov	9,675,107 B2 *	6/2017	Levitz A24F 47/008
D683,897 S	6/2013	Liu	D792,021 S	7/2017	Beer et al.
D684,311 S	6/2013	Liu	D792,643 S	7/2017	Wong et al.
D685,522 S	7/2013	Potter et al.	D795,495 S	8/2017	Li et al.
D691,766 S	10/2013	Tucker et al.	D795,496 S	8/2017	Beer et al.
D718,492 S	11/2014	Albanese	D797,369 S	9/2017	Yamada et al.
D720,499 S	12/2014	Alima	D797,990 S	9/2017	Hawes et al.
D720,882 S	1/2015	Albanese	D799,108 S	10/2017	Meyer et al.
D721,202 S	1/2015	Liu	D799,110 S	10/2017	Qiu
D722,196 S	2/2015	Tucker et al.	D799,112 S	10/2017	Qiu
D722,956 S	2/2015	Alima	D799,113 S	10/2017	Qiu
D723,732 S	3/2015	Alima	D799,741 S	10/2017	Liu
D724,262 S	3/2015	Hearn et al.	D799,744 S	10/2017	Qiu
D725,310 S	3/2015	Eksouzian	D799,745 S	10/2017	Qiu
D728,852 S	5/2015	Hearn et al.	D799,748 S	10/2017	Freese
D732,733 S	6/2015	Spagnolo et al.	D799,749 S	10/2017	Freese
D738,566 S	9/2015	Tucker et al.	D800,381 S	10/2017	Chen
D738,567 S	9/2015	Tucker et al.	D800,383 S	10/2017	Verleur et al.
D739,597 S *	9/2015	Lavanchy D27/100	D802,207 S	11/2017	Bramley et al.
D739,598 S	9/2015	Lavanchy et al.	D802,835 S	11/2017	Bagai
D739,599 S	9/2015	Liu	D802,839 S	11/2017	Scott
D742,065 S	10/2015	Leidel	D803,475 S *	11/2017	Scheiber D27/101
D743,097 S	11/2015	Tucker et al.	D804,090 S	11/2017	Verleur et al.
D743,622 S	11/2015	Alima	D804,091 S *	11/2017	Fornarelli D27/101
D747,545 S	1/2016	Liu	D805,248 S	12/2017	Chen et al.
D747,546 S	1/2016	Liu	D805,684 S	12/2017	Thuery
D747,547 S	1/2016	Liu	D806,942 S	1/2018	Qiu
D748,323 S	1/2016	Tucker et al.	D806,943 S	1/2018	Liu et al.
D748,853 S	2/2016	Seibel et al.	D807,574 S	1/2018	Hawes et al.
D750,834 S	3/2016	Wei	D808,580 S	1/2018	Kwitel et al.
D752,278 S	3/2016	Verleur et al.	9,894,931 B2	2/2018	Zhou
D752,281 S	3/2016	Alima	D812,807 S	3/2018	Thuery
D753,873 S	4/2016	Schuessler	D813,155 S *	3/2018	Yamada D13/103
D754,919 S	4/2016	Alarcon et al.	D813,445 S	3/2018	Scott
D755,440 S *	5/2016	Collen D27/163	D813,447 S	3/2018	Watson
D756,031 S	5/2016	Wu	D814,102 S	3/2018	Lehoux
D756,564 S	5/2016	Yerkic-Husejnovic et al.	D814,103 S *	3/2018	Levinson D27/101
D757,352 S	5/2016	Bagai	D815,340 S	4/2018	Bramley et al.
D757,353 S	5/2016	Nunnally et al.	D815,341 S	4/2018	Qiu
D757,996 S	5/2016	Hua	D816,266 S	4/2018	Thuery
D759,303 S	6/2016	Afridi	9,936,732 B2 *	4/2018	Liu A24F 47/008
D760,430 S	6/2016	Hanna	D817,540 S	5/2018	Yamada et al.
D760,948 S	7/2016	Eksouzian	D818,635 S	5/2018	Pinder et al.
D763,501 S	8/2016	McGarry et al.	D818,636 S	5/2018	Qiu
D763,503 S	8/2016	Bramley et al.	D818,638 S	5/2018	Wright et al.
D764,098 S	8/2016	Liu	D819,263 S	5/2018	Zhu
D764,702 S	8/2016	Di Bari	D819,881 S	6/2018	Qiu
D766,503 S	9/2016	Liu	D821,028 S	6/2018	Tucker et al.
D767,200 S	9/2016	Liu	9,999,246 B2 *	6/2018	Suzuki A24F 47/008
D767,820 S	9/2016	Jordan et al.	9,999,252 B2 *	6/2018	Liu A24F 47/008
D769,518 S	10/2016	Liu	9,999,253 B2	6/2018	Li et al.
D769,519 S	10/2016	Chen	D822,271 S	7/2018	Eksouzian
D770,087 S	10/2016	Di Bari	D822,592 S	7/2018	Cavalli, III et al.
9,480,286 B2 *	11/2016	Liu A24F 47/008	D822,896 S	7/2018	Durand
9,497,999 B2 *	11/2016	Lord A24F 47/008	D823,537 S *	7/2018	Beaver D27/191
D773,727 S	12/2016	Eksouzian	D823,689 S *	7/2018	Durand D9/503
D773,729 S	12/2016	Jordan et al.	D824,100 S	7/2018	Scott et al.
D774,693 S	12/2016	Liu	10,015,991 B1 *	7/2018	Tucker H05B 1/0244
D776,337 S	1/2017	Levin et al.	D825,099 S	8/2018	Wright et al.
D776,868 S	1/2017	Rado	D825,102 S	8/2018	Bowen et al.
D778,492 S	2/2017	Liu	D825,103 S	8/2018	Wright et al.
D778,493 S	2/2017	Scott	D825,834 S	8/2018	Chen
D779,719 S	2/2017	Qiu	D825,835 S	8/2018	Verleur et al.
D779,722 S	2/2017	Volodarsky	D825,837 S *	8/2018	Abroff D27/101
D779,725 S	2/2017	Bramley et al.	D825,838 S *	8/2018	Abroff D27/101
D780,991 S	3/2017	Liu	D825,844 S	8/2018	Verleur et al.
			D826,470 S *	8/2018	Huang D27/167
			D827,195 S	8/2018	Chen
			D827,922 S	9/2018	Hawes et al.
			D829,369 S *	9/2018	Stone D27/101

(56)

References Cited

U.S. PATENT DOCUMENTS

D829,370 S 9/2018 Stone
 D829,371 S 9/2018 Durand
 D829,373 S 9/2018 Huang et al.
 D829,974 S 10/2018 Stone
 D829,975 S 10/2018 Stone
 D829,976 S * 10/2018 Stone D27/101
 D829,977 S 10/2018 Stone
 D829,978 S 10/2018 Stone
 D829,980 S 10/2018 Qiu
 D830,625 S 10/2018 Stone
 D831,271 S 10/2018 Qiu
 D831,885 S 10/2018 Wang et al.
 D832,499 S 10/2018 Qiu
 D832,500 S * 10/2018 Qiu D27/162
 D832,503 S * 10/2018 Blanding D27/163
 D833,064 S 11/2018 Verleur et al.
 D834,246 S 11/2018 Qiu
 D834,702 S 11/2018 Evans et al.
 D834,743 S 11/2018 Tucker et al.
 D835,337 S 12/2018 Beer et al.
 D836,190 S 12/2018 Evans et al.
 D836,833 S 12/2018 Simon
 10,143,237 B2 12/2018 Watson
 10,159,285 B2 12/2018 Watson
 D838,900 S 1/2019 Freese
 D841,231 S 2/2019 Hawes et al.
 10,201,188 B2 2/2019 Lin
 D843,648 S * 3/2019 Santos D27/162
 D843,649 S 3/2019 Rasmussen et al.
 D843,650 S 3/2019 Verleur et al.
 D844,221 S 3/2019 Tucker et al.
 D844,222 S * 3/2019 Yamada D27/101
 D844,233 S 3/2019 Yamada et al.
 D849,318 S * 5/2019 Deng D27/162
 10,292,436 B2 5/2019 Cirillo et al.
 D855,251 S 7/2019 Qiu et al.
 D855,877 S 8/2019 Folkerts et al.
 D855,879 S * 8/2019 Sudlow D27/172
 D856,575 S 8/2019 Folkerts et al.
 D859,736 S * 9/2019 Sudlow D27/194
 D862,793 S 10/2019 Chang et al.
 D862,795 S * 10/2019 Caldas D27/194
 D863,670 S 10/2019 He et al.
 D863,674 S 10/2019 Chang et al.
 10,426,198 B2 10/2019 Dendy et al.
 10,433,585 B2 * 10/2019 Tucker H05B 1/0244
 10,440,993 B2 * 10/2019 Minskoff H05B 1/0244
 D868,360 S 11/2019 Stone
 D868,361 S 11/2019 Stone
 D868,362 S 11/2019 Stone
 D868,363 S 11/2019 Stone
 D868,364 S 11/2019 Stone
 D869,085 S 12/2019 Campbell et al.
 D869,747 S * 12/2019 Stone D27/101
 D869,753 S * 12/2019 Yang D27/163
 D870,369 S 12/2019 Greenbaum et al.
 D870,372 S 12/2019 Zhu
 D874,059 S 1/2020 Bailey et al.
 D877,976 S 3/2020 Ding et al.
 D878,671 S * 3/2020 Stone D27/101
 D880,055 S 3/2020 Luo
 10,602,774 B2 3/2020 Hawes et al.
 D881,457 S 4/2020 Ouyang
 10,609,958 B2 4/2020 Robinson et al.
 10,609,962 B2 4/2020 Zhu
 D883,566 S 5/2020 Filleul et al.
 2011/0290244 A1 12/2011 Schennum
 2013/0068239 A1 3/2013 Youn
 2013/0319438 A1 12/2013 Liu
 2014/0060524 A1 3/2014 Liu
 2014/0196716 A1 7/2014 Liu
 2015/0020827 A1 1/2015 Liu
 2015/0020828 A1 1/2015 Liu
 2015/0027467 A1 1/2015 Liu
 2015/0034104 A1 2/2015 Zhou

2015/0059784 A1 3/2015 Liu
 2015/0128973 A1 5/2015 Li et al.
 2015/0196056 A1 7/2015 Liu
 2015/0296889 A1 10/2015 Liu
 2015/0313288 A1 11/2015 Liu
 2015/0335072 A1 * 11/2015 Giller B01F 13/0028
 131/328
 2016/0073692 A1 * 3/2016 Alarcon A24F 47/008
 131/329
 2016/0073694 A1 3/2016 Liu
 2016/0113327 A1 4/2016 Wu
 2016/0120222 A1 * 5/2016 Bagai H05B 3/00
 131/329
 2016/0120226 A1 5/2016 Rado
 2016/0121058 A1 5/2016 Chen
 2016/0135502 A1 5/2016 Wang et al.
 2016/0150821 A1 * 6/2016 Liu A24F 47/008
 131/329
 2016/0183593 A1 6/2016 Liu
 2016/0183596 A1 6/2016 Rado
 2016/0270446 A1 9/2016 Shenkal et al.
 2016/0331912 A1 11/2016 Trzeciecki
 2016/0338405 A1 11/2016 Liu
 2016/0345626 A1 12/2016 Wong et al.
 2016/0353805 A1 12/2016 Hawes et al.
 2016/0374396 A1 * 12/2016 Jordan A24F 47/008
 392/386
 2016/0374397 A1 * 12/2016 Jordan G05B 15/02
 131/329
 2017/0127722 A1 * 5/2017 Davis H05B 6/108
 2017/0143040 A1 * 5/2017 Liu A24F 47/008
 2017/0202265 A1 7/2017 Hawes et al.
 2017/0215478 A1 8/2017 Harrison et al.
 2017/0294804 A1 10/2017 Sur
 2017/0295845 A1 10/2017 Bajpai et al.
 2018/0116281 A1 5/2018 Anderson, Jr.
 2018/0169355 A1 6/2018 Reevell
 2018/0177234 A1 6/2018 Lee
 2018/0213847 A1 8/2018 Reevell
 2018/0255835 A1 9/2018 Crowe et al.
 2018/0271149 A1 9/2018 Holtz et al.
 2018/0271151 A1 9/2018 Litten
 2018/0279674 A1 10/2018 Watson
 2018/0279682 A1 10/2018 Guo et al.
 2018/0310618 A1 11/2018 Watson
 2018/0339118 A1 11/2018 Ouyang et al.
 2019/0008207 A1 1/2019 Crowe
 2019/0090542 A1 3/2019 Harrison et al.
 2019/0090551 A1 3/2019 Hon

FOREIGN PATENT DOCUMENTS

CN 303657684 S 4/2016
 TW D148448 8/2012
 TW D155436 8/2013
 TW D155654 8/2013

OTHER PUBLICATIONS

Taiwanese Office Action dated Dec. 12, 2017 in Taiwanese Application No. 106300550.
 Taiwanese Office Action dated Dec. 12, 2017 in Taiwanese Application No. 106300548.
 Taiwanese Office Action dated Dec. 27, 2017 in Taiwanese Application No. 106300549.
 U.S. Notice of Allowance and Corrected Notice of Allowance dated Jan. 17, 2018 and Feb. 13, 2018 in related U.S. Appl. No. 29/592,199.
 U.S. Office Action dated Jan. 4, 2018 in related U.S. Appl. No. 29/592,185.
 U.S. Office Action dated Jan. 4, 2018 in related U.S. Appl. No. 29/592,202.
 U.S. Notice of Allowance and Corrected Notice of Allowance dated Jan. 17, 2018 and Feb. 13, 2018 in related U.S. Appl. No. 29/592,193.
 U.S. Office Action dated Jan. 5, 2018 in related U.S. Appl. No. 29/592,191.

(56)

References Cited

OTHER PUBLICATIONS

U.S. Office Action dated Jan. 4, 2018 in related U.S. Appl. No. 29/592,186.
U.S. Office Action dated Jan. 4, 2018 in related U.S. Appl. No. 29/592,200.
U.S. Office Action dated Jan. 5, 2018 in related U.S. Appl. No. 29/592,211.
U.S. Office Action dated May 14, 2019, in related U.S. Appl. No. 29/662,847.
U.S. Office Action dated May 14, 2019, in related U.S. Appl. No. 29/662,843.
U.S. Office Action dated May 23, 2019 in corresponding U.S. Appl. No. 29/662,871.
U.S. Office Action dated May 23, 2019 in corresponding U.S. Appl. No. 29/662,859.
U.S. Office Action dated May 23, 2019 in corresponding U.S. Appl. No. 29/662,845.
U.S. Office Action dated May 23, 2019 in corresponding U.S. Appl. No. 29/662,880.
U.S. Office Action dated May 23, 2019 in corresponding U.S. Appl. No. 29/662,888.
U.S. Office Action dated May 22, 2020 in corresponding U.S. Appl. No. 29/710,932.

Notice of Allowance dated Jun. 4, 2020, issued in corresponding U.S. Appl. No. 29/710,943.
Notice of Allowance dated Jun. 4, 2020, issued in corresponding U.S. Appl. No. 29/710,946.
Notice of Allowance dated Jun. 4, 2020, issued in corresponding U.S. Appl. No. 29/710,936.
U.S. Office Action dated Jun. 5, 2020 in corresponding U.S. Appl. No. 29/710,951.
U.S. Office Action dated Jun. 5, 2020 in corresponding U.S. Appl. No. 29/710,957.
Notice of Allowance dated Jul. 6, 2020, issued in corresponding U.S. Appl. No. 29/710,943.
Notice of Allowance dated Jul. 2, 2020, issued in corresponding U.S. Appl. No. 29/710,946.
Notice of Allowance dated Jul. 6, 2020, issued in corresponding U.S. Appl. No. 29/710,936.
Notice of Allowance dated Aug. 26, 2020, issued in corresponding U.S. Appl. No. 29/710,932.
Notice of Allowance dated Sep. 11, 2020, issued in corresponding U.S. Appl. No. 29/710,957.
Notice of Allowance dated Sep. 16, 2020, issued in corresponding U.S. Appl. No. 29/710,951.

* cited by examiner

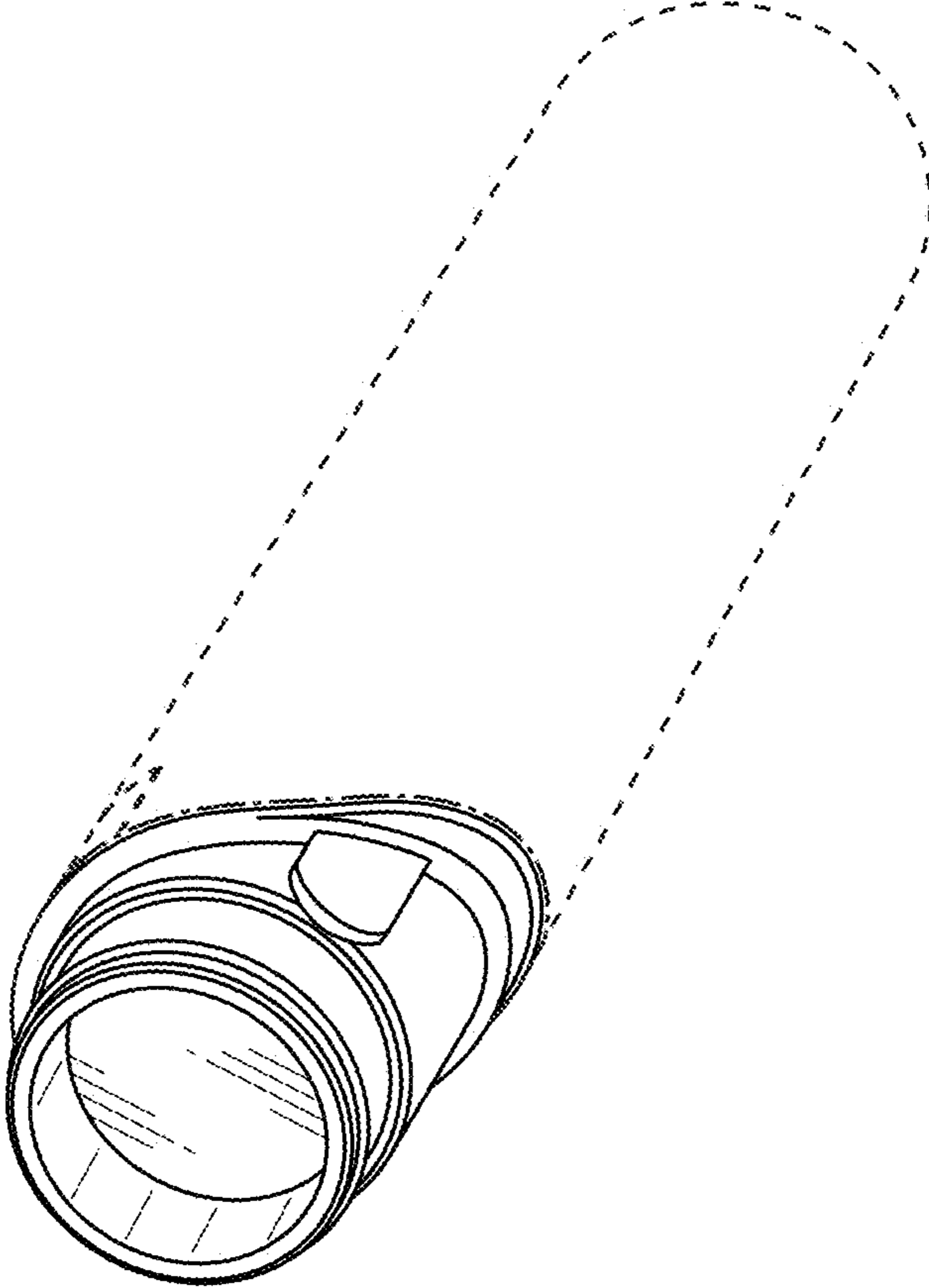


FIG. 1



FIG. 2

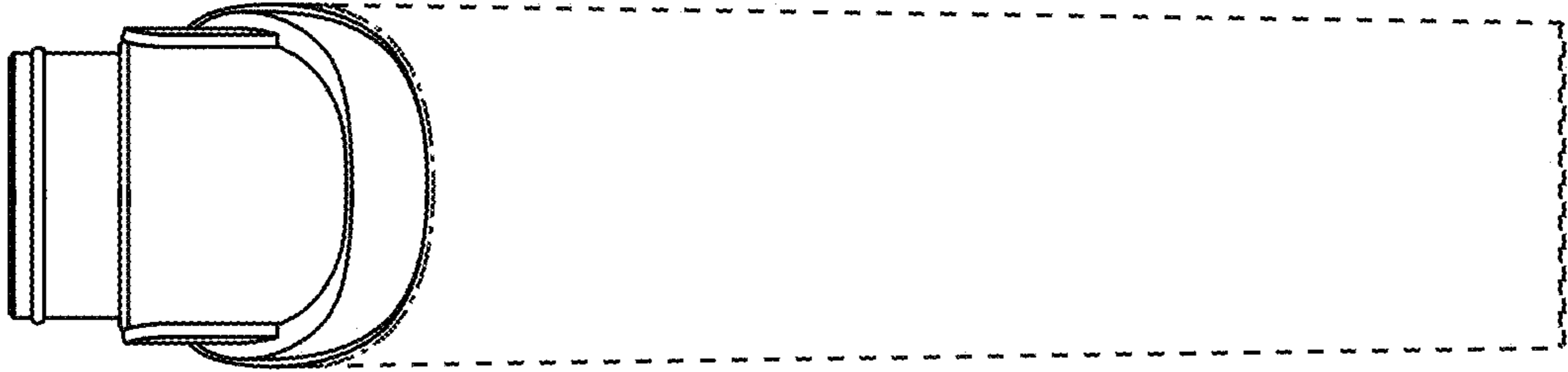


FIG. 3



FIG. 4

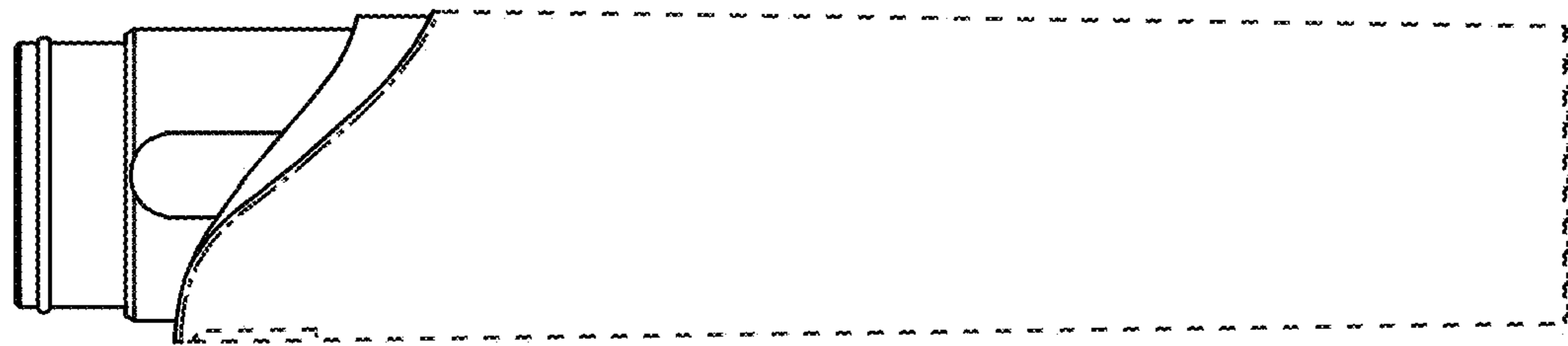


FIG. 5

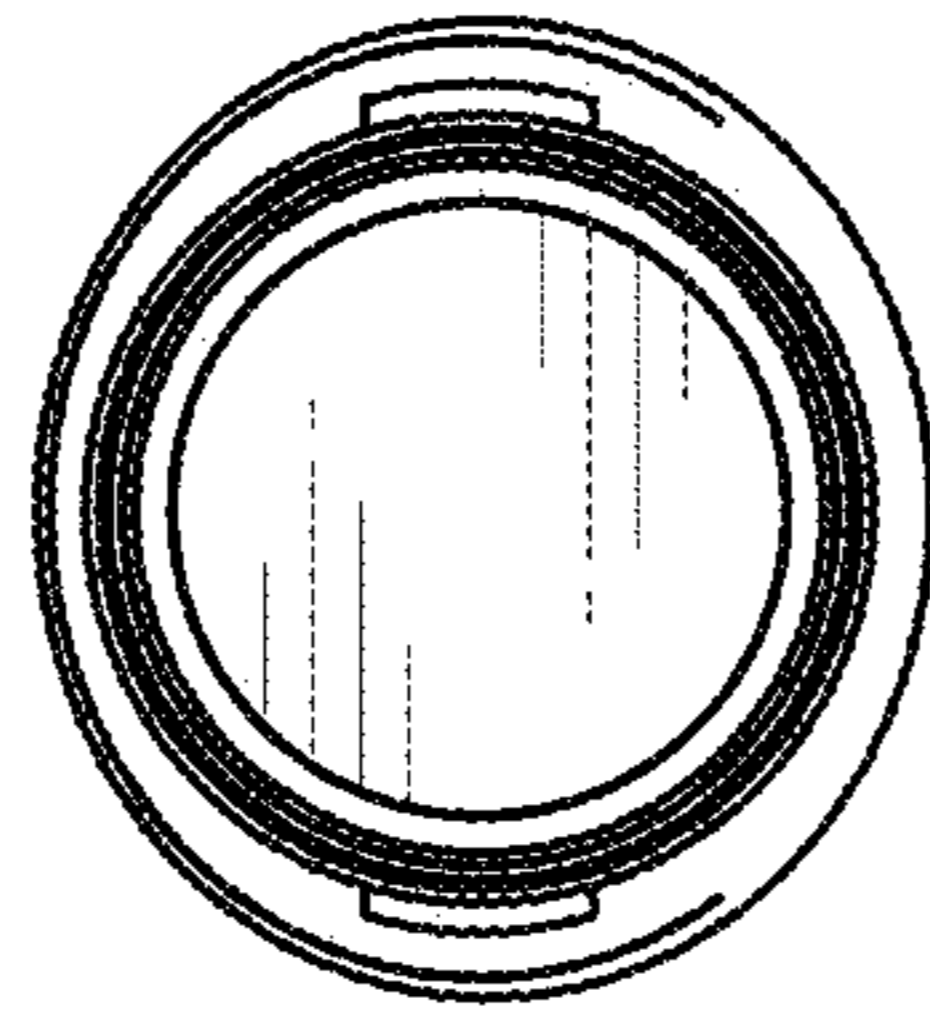


FIG. 6

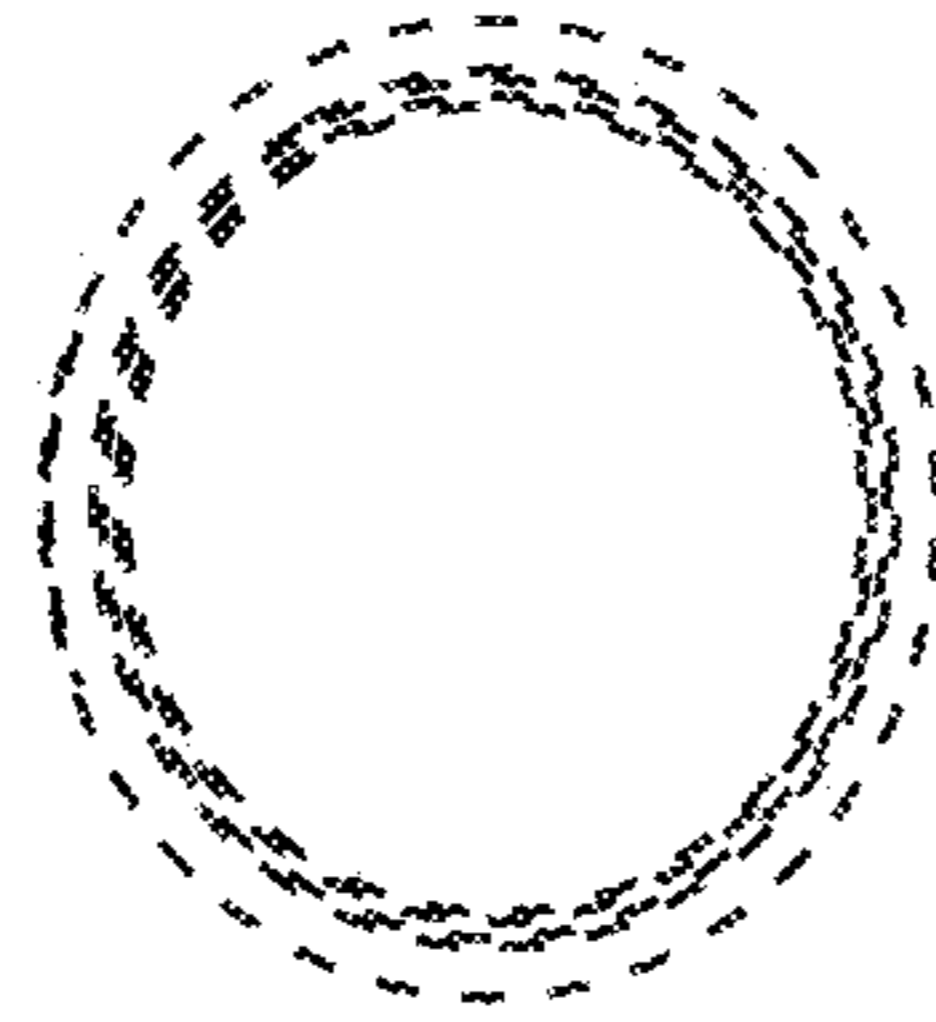


FIG. 7