



US00D901066S

(12) **United States Design Patent** (10) **Patent No.:** **US D901,066 S**
Trzeciński (45) **Date of Patent:** **** *Nov. 3, 2020**

(54) **HOUSING FOR A LED-BASED LIGHTING APPARATUS**

(71) Applicant: **LED LABS Sp. z o.o.**, Cracow (PL)
 (72) Inventor: **Grzegorz Trzeciński**, Kraków (PL)
 (73) Assignee: **LED Labs SP. Z O.O.**, Cracow (PL)
 (*) Notice: This patent is subject to a terminal disclaimer.
 (**) Term: **15 Years**

(21) Appl. No.: **29/605,606**
 (22) Filed: **May 26, 2017**
 (51) **LOC (12) Cl.** **26-06**
 (52) **U.S. Cl.**
 USPC **D26/138**
 (58) **Field of Classification Search**
 USPC D26/76, 78, 79, 80, 81, 82, 83, 85, 86,
 D26/88, 90, 93, 111, 113, 118, 119, 120,
 D26/121, 122, 138, 139, 140, 141, 142,
 D26/152
 CPC F21S 2/00; F21S 4/00; F21S 4/003; F21S
 4/005; F21S 4/006; F21S 4/007; F21S
 4/008; F21S 6/00; F21S 8/00; F21S
 8/024; F21S 8/026; F21S 8/031; F21S
 8/033; F21S 8/035–8/037; F21S 8/04;
 F21S 8/043; F21S 8/063

See application file for complete search history.

(56) **References Cited**

U.S. PATENT DOCUMENTS

D293,098 S *	12/1987	Layton	D13/155
D621,091 S *	8/2010	Klu	D26/138
D623,342 S *	9/2010	Klu	D26/138
D695,955 S *	12/2013	Klus	D26/138
D696,814 S *	12/2013	Matus, Jr.	D26/138
D705,984 S *	5/2014	Klus	D26/138
D724,259 S *	3/2015	Klus	D26/141
D731,704 S *	6/2015	Klus	D26/138
D775,374 S *	12/2016	Walker	D25/126
D796,111 S *	8/2017	Trzcielinski	D26/142
D799,720 S *	10/2017	Tress	D25/119
D807,572 S *	1/2018	Klus	D26/138

* cited by examiner

Primary Examiner — Natasha Vujcic
 (74) *Attorney, Agent, or Firm* — Andrew Malarz, Esq.

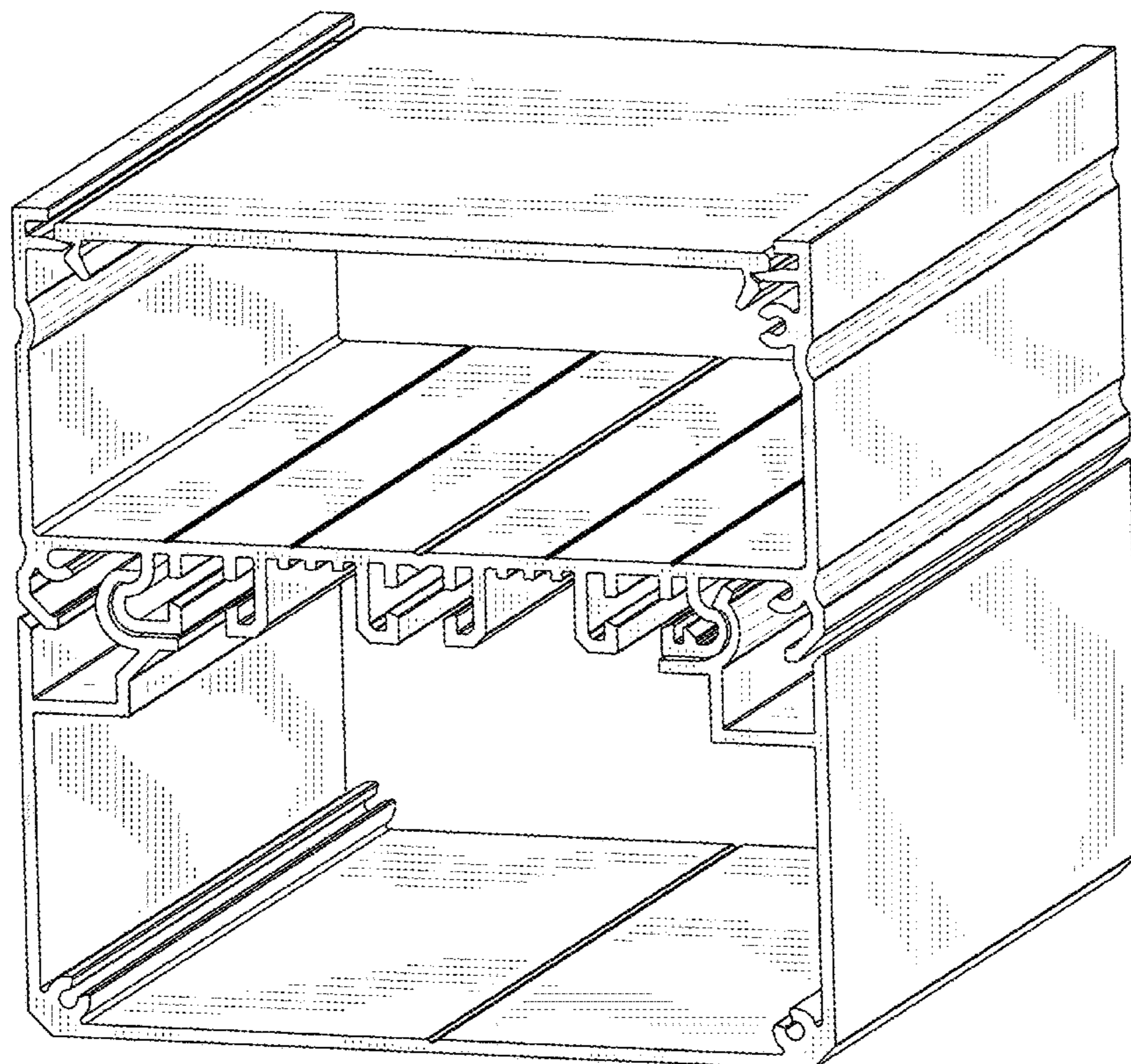
(57) **CLAIM**

An ornamental design for a housing for a LED-based lighting apparatus, as shown and described.

DESCRIPTION

FIG. 1 is a front isometric view of a housing for a LED based lighting apparatus;
 FIG. 2 is a front view of the housing shown in FIG. 1;
 FIG. 3 is an upper view of the housing shown in FIG. 1;
 FIG. 4 is a side view of the housing shown in FIG. 1; and,
 FIG. 5 is a bottom view of the housing shown in FIG. 1.

1 Claim, 5 Drawing Sheets



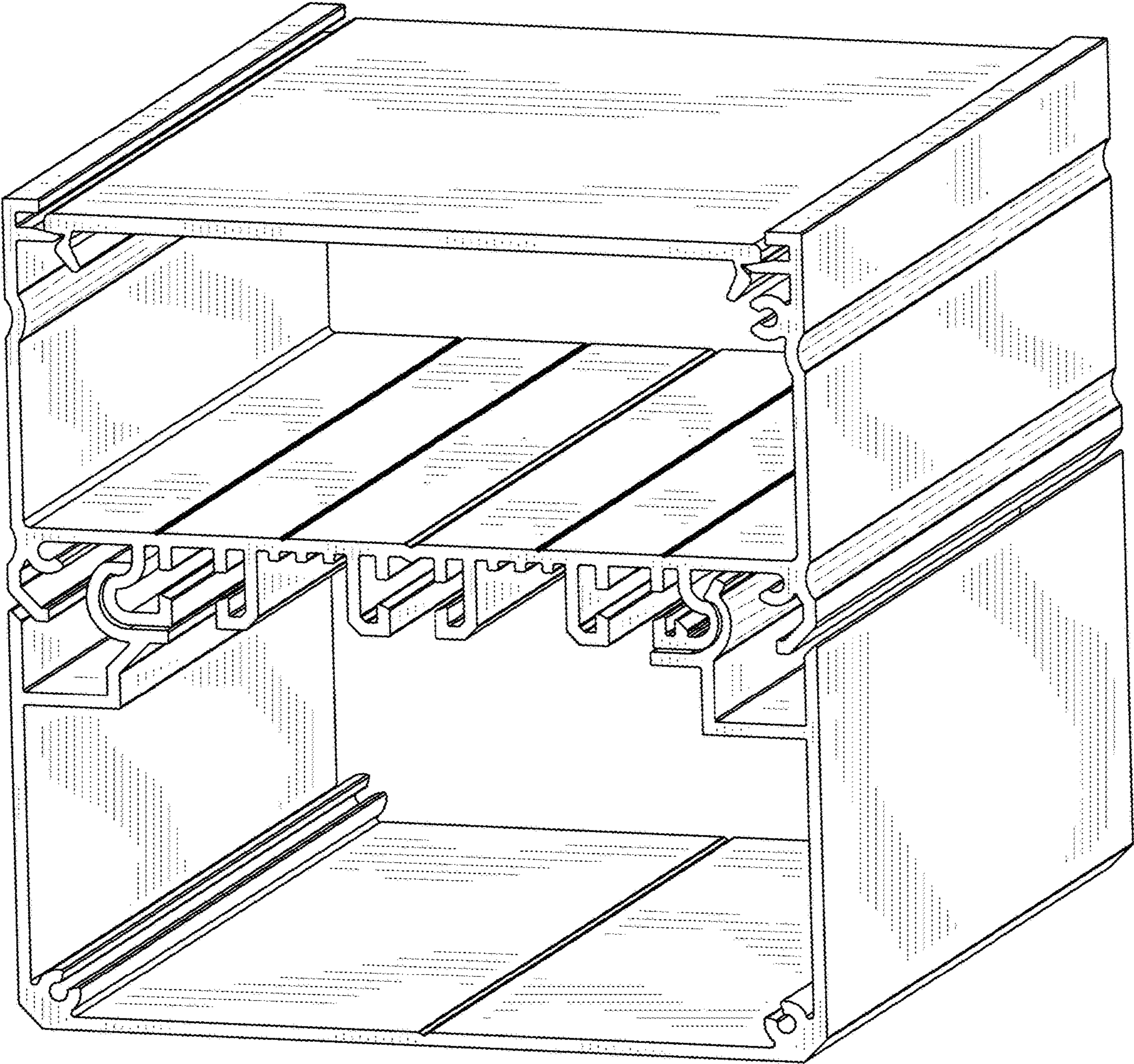


Fig. 1.

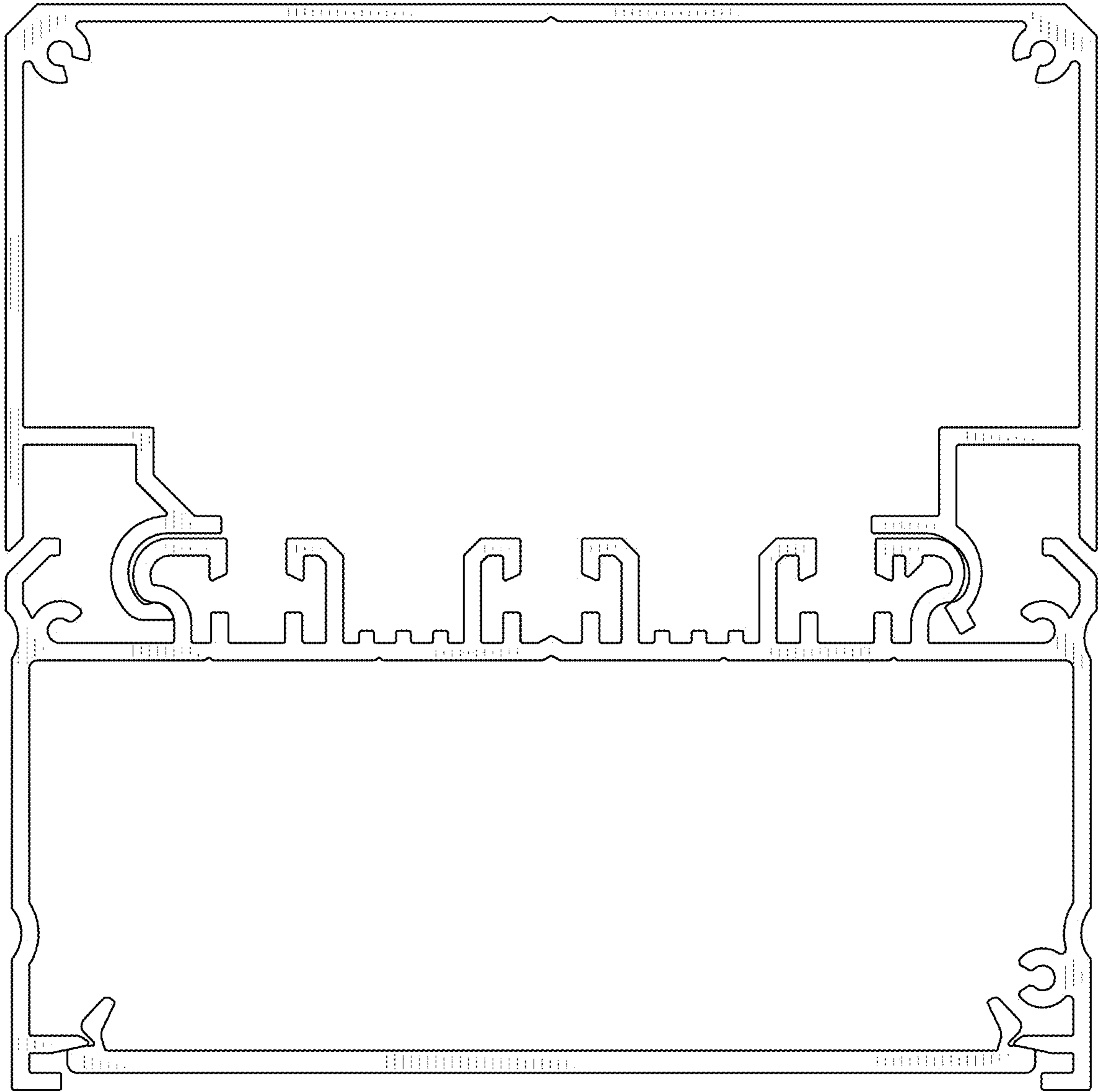


Fig. 2.

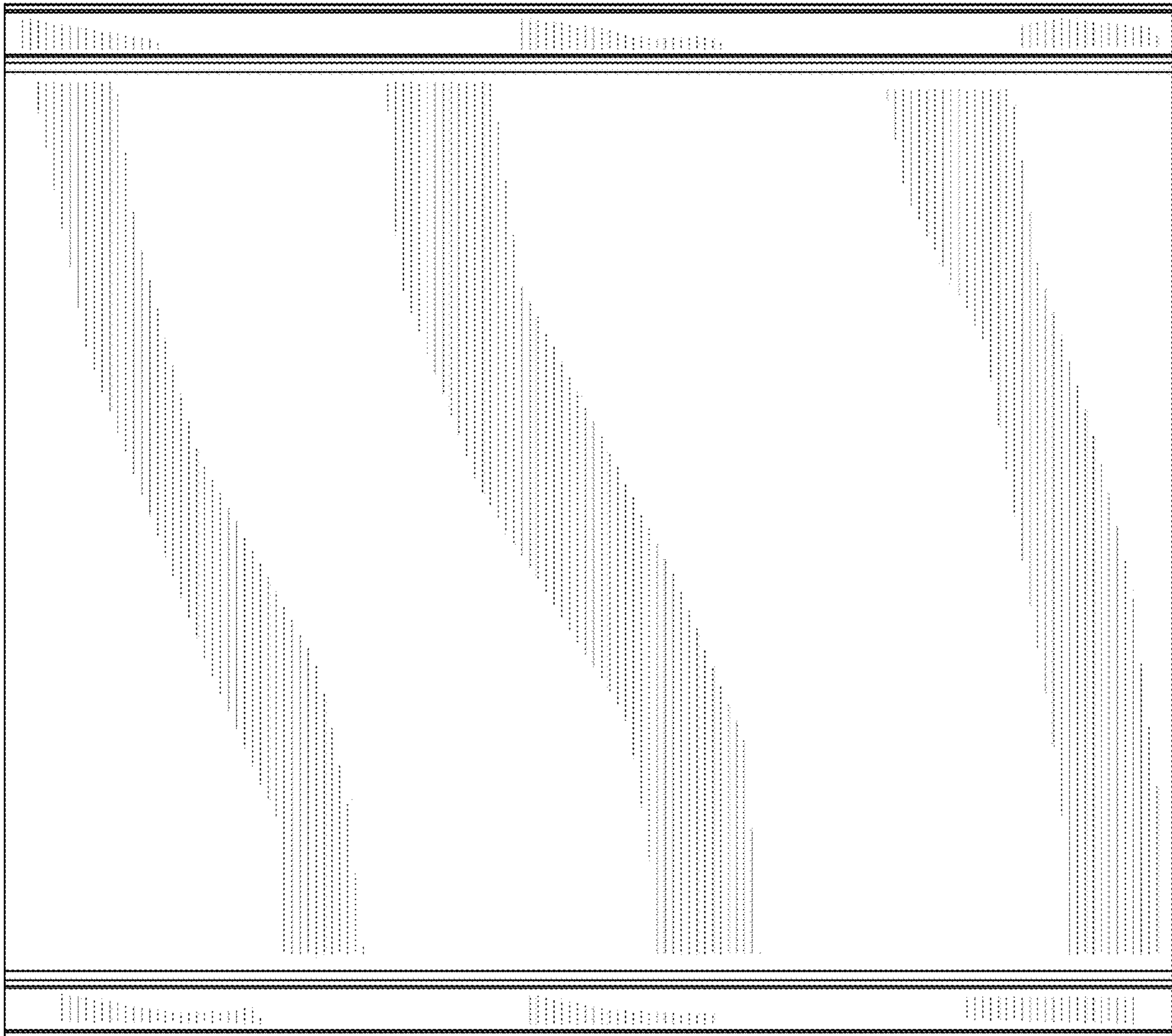


Fig. 3.

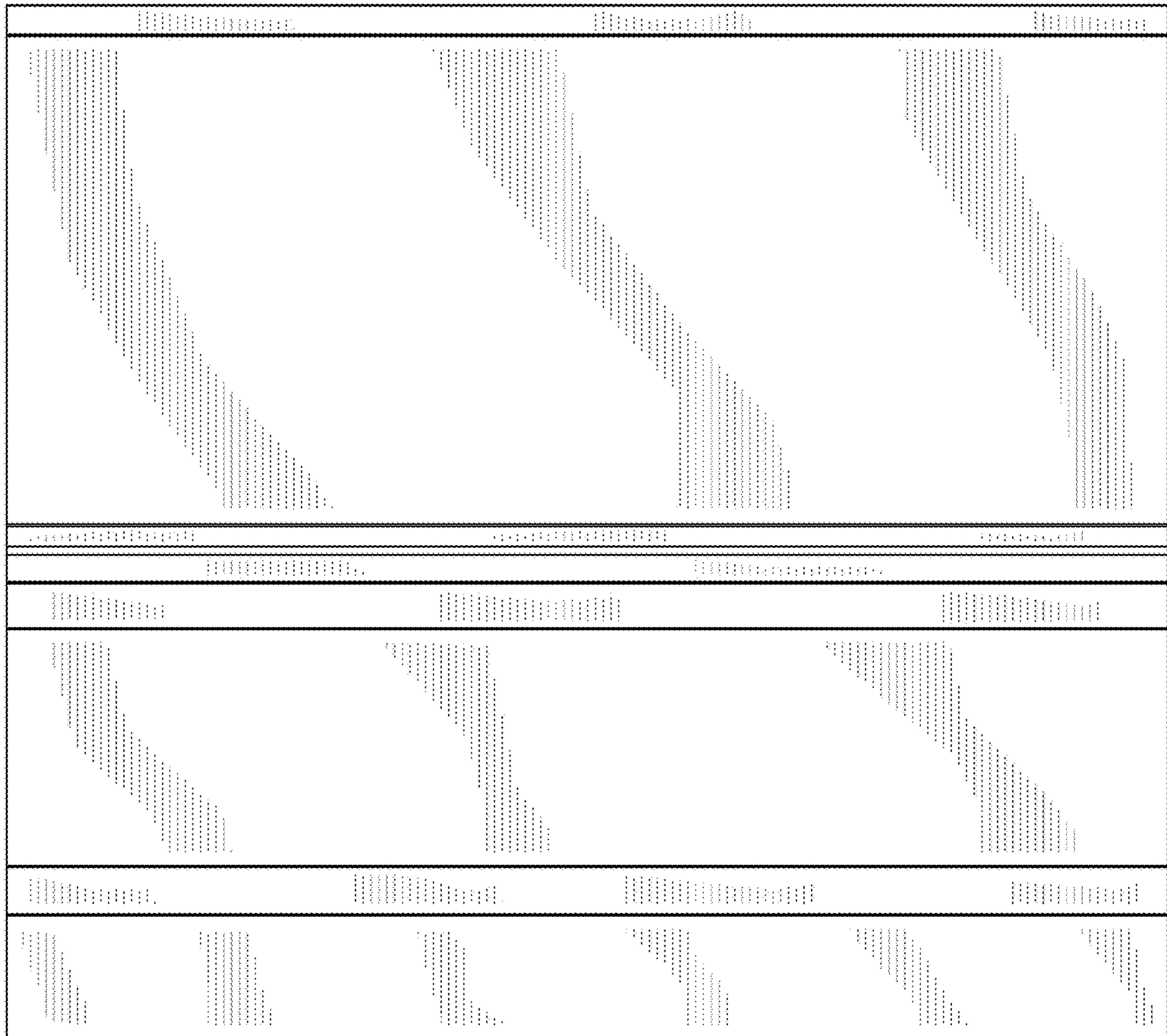


Fig. 4.

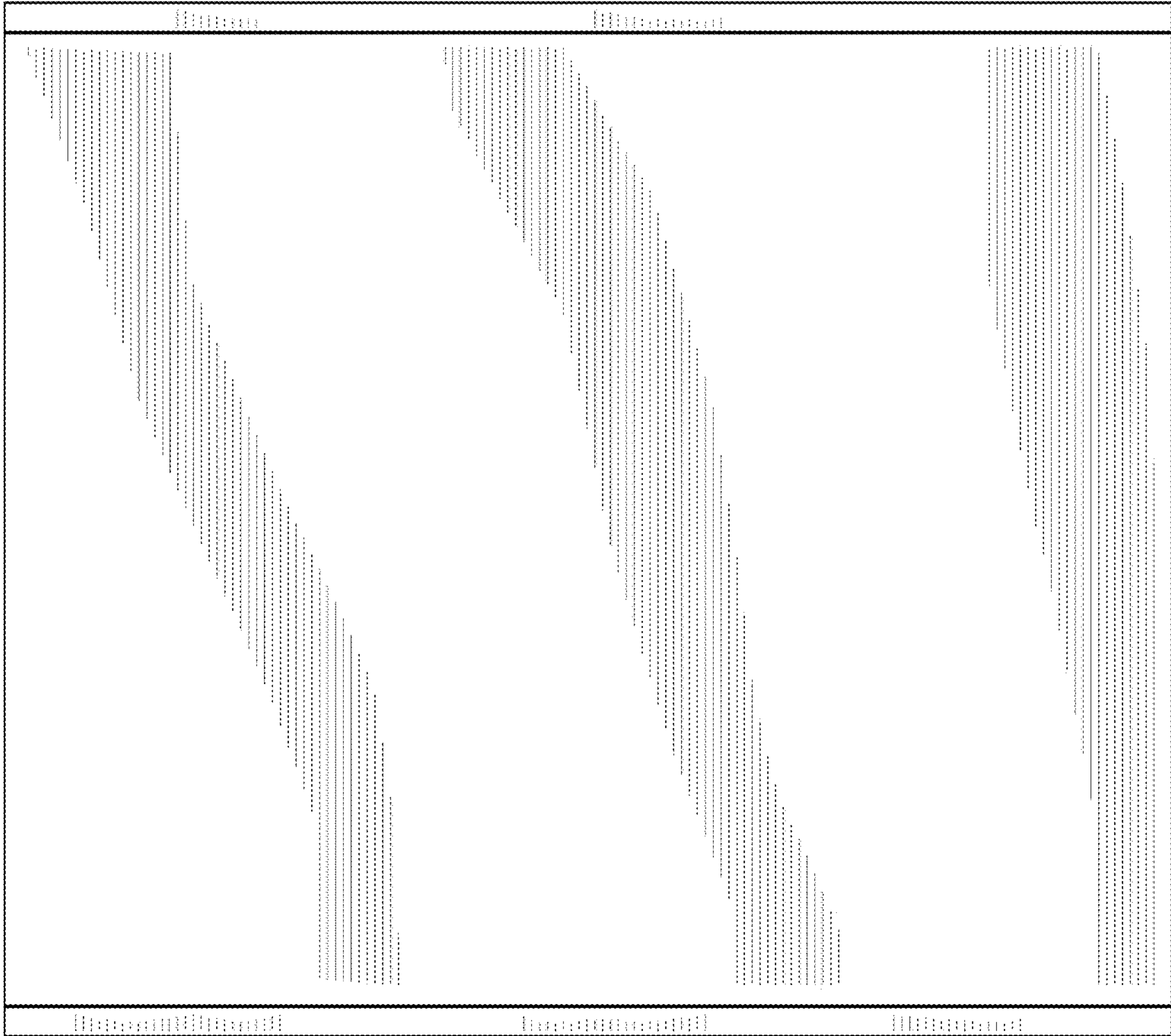


Fig. 5.