

US00D901065S

(12) **United States Design Patent** (10) **Patent No.:** **US D901,065 S**  
**Wang** (45) **Date of Patent:** **\*\* Nov. 3, 2020**

(54) **UFO PROJECTION LAMP**  
(71) Applicant: **Guangzhou Sunshine Electronic Technology Co.,Ltd.**, Guangzhou (CN)  
(72) Inventor: **DongNi Wang**, Guangzhou (CN)  
(73) Assignee: **Guangzhou Sunshine Electronic Technology Co., Ltd.**, Guangzhou (CN)

D815,335 S \* 4/2018 Lin ..... D26/110  
D829,961 S \* 10/2018 Lin ..... D26/104  
D848,051 S \* 5/2019 Huang ..... D26/104  
D861,966 S \* 10/2019 Wang ..... D26/110  
D861,967 S \* 10/2019 Lin ..... D26/110  
D884,955 S \* 5/2020 Yi ..... D26/104  
D885,643 S \* 5/2020 Chen ..... D26/106  
D889,012 S \* 6/2020 Lin ..... D26/51  
D889,730 S \* 7/2020 Lin ..... D26/110  
D891,682 S \* 7/2020 Wei ..... D26/93

(\*\*) Term: **15 Years**

\* cited by examiner

(21) Appl. No.: **29/704,125**

*Primary Examiner* — Wan Laymon

(22) Filed: **Sep. 2, 2019**

*Assistant Examiner* — Clint A Samuel

(51) **LOC (12) Cl.** ..... **26-05**

(74) *Attorney, Agent, or Firm* — Zhihua Han; Wen IP LLC

(52) **U.S. Cl.**

USPC ..... **D26/104; D26/24**

(58) **Field of Classification Search**

USPC ..... D26/1, 24, 26, 36, 93, 104, 118, 137;  
D10/111, 114.1, 114.2, 114.5, 114.6,  
D10/114.8

CPC ..... F21V 1/00; F21V 1/10; F21V 3/00; F21V  
3/02; F21V 3/023; F21V 7/04; F21V  
7/043; F21V 7/045; F21V 37/0095; F21V  
21/02; F21V 21/30; F21V 33/0004; F21V  
33/0012; F21V 33/0024; F21V 15/00;  
F21L 4/00; F21S 6/00; F21S 6/002

See application file for complete search history.

(57) **CLAIM**

The ornamental design for a UFO projection lamp, as shown and described.

**DESCRIPTION**

FIG. 1 is a front view of the UFO projection lamp showing my new design;

FIG. 2 is a rear elevational view thereof;

FIG. 3 is a left side elevational view thereof;

FIG. 4 is a right side elevational view thereof;

FIG. 5 is a top plan view thereof;

FIG. 6 is a bottom plan view thereof; and,

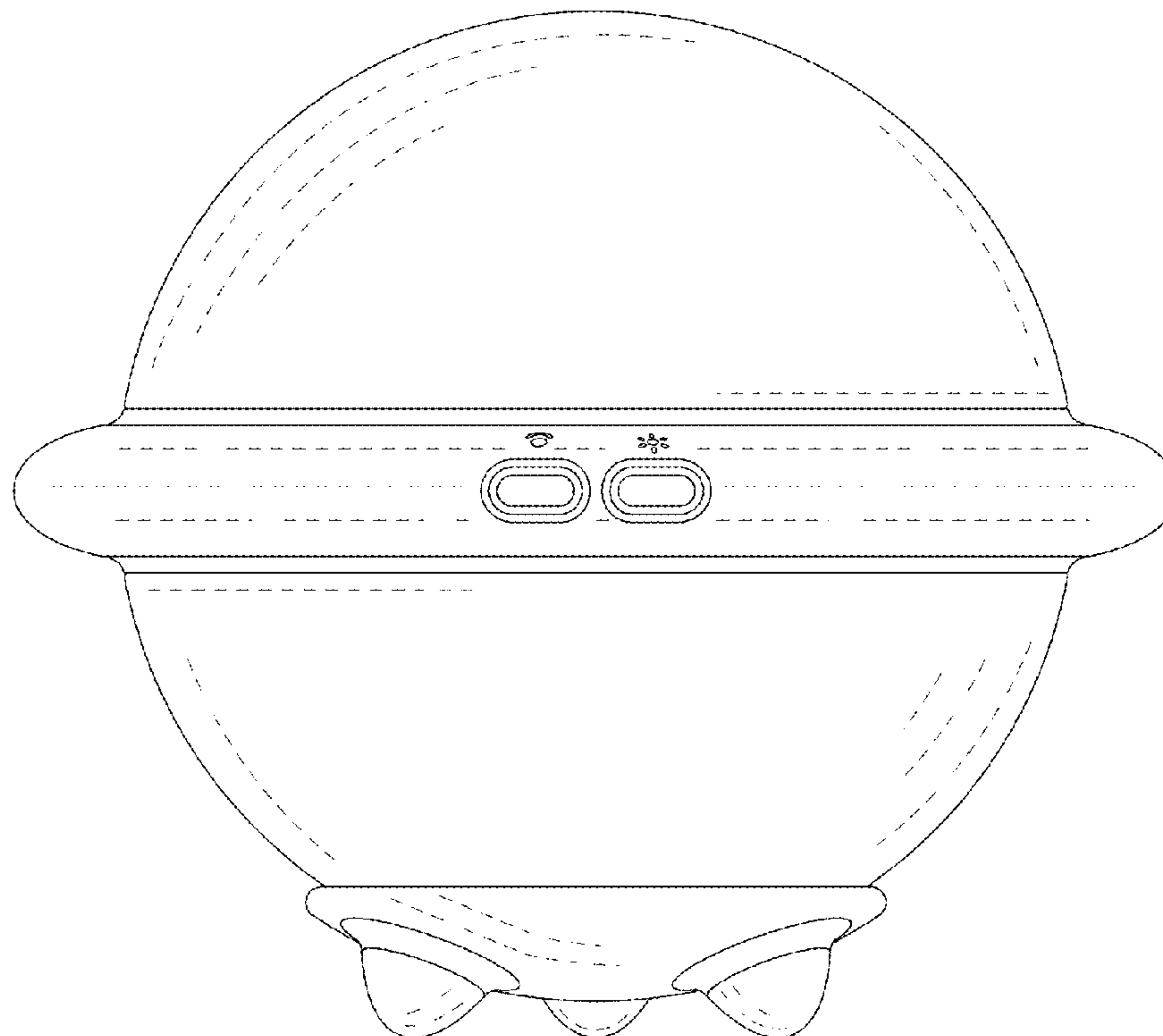
FIG. 7 is a prospective view thereof.

(56) **References Cited**

**U.S. PATENT DOCUMENTS**

D469,207 S \* 1/2003 Chang ..... D26/104  
D762,913 S \* 8/2016 Anderson ..... D26/106

**1 Claim, 7 Drawing Sheets**



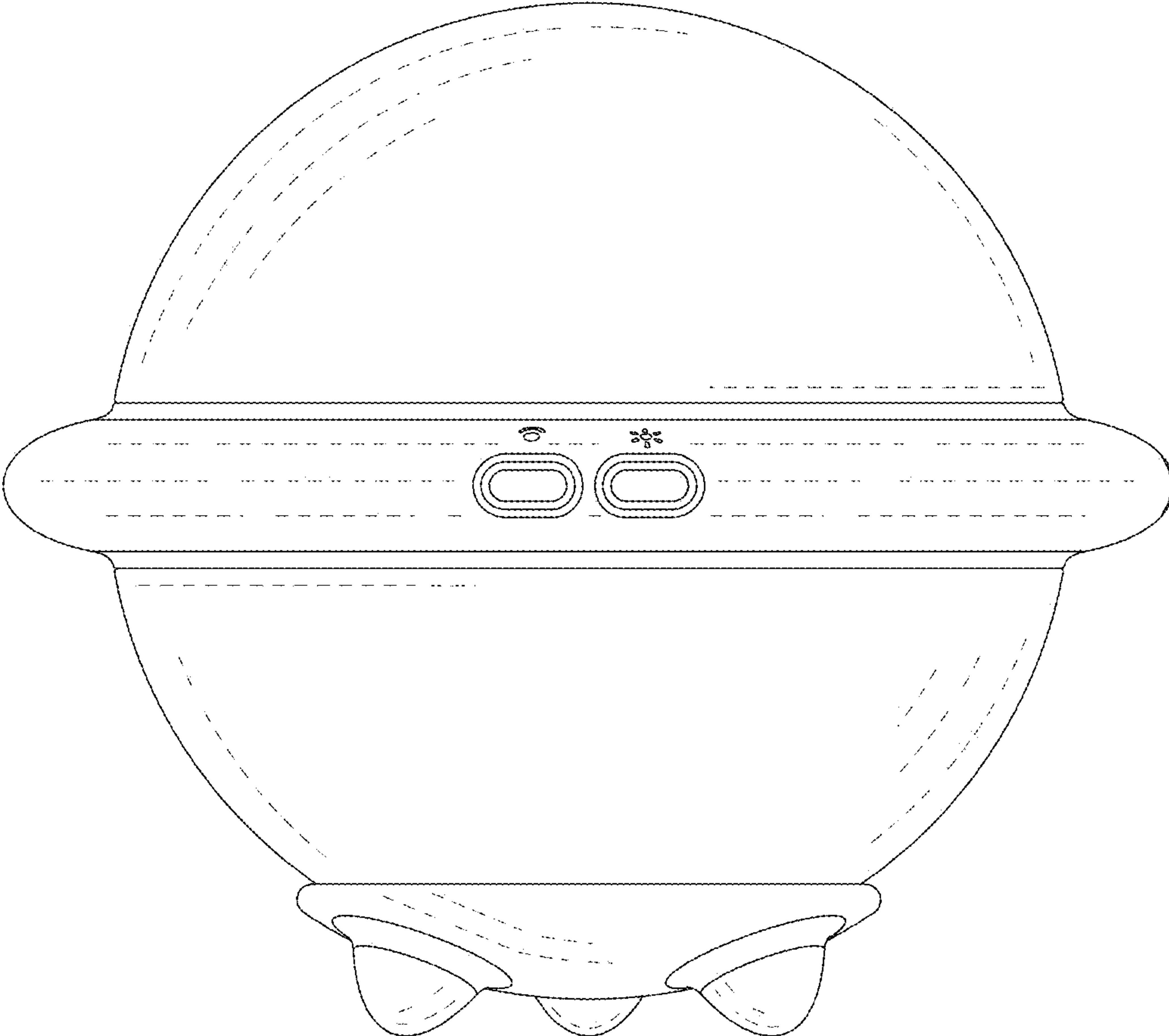


FIG. 1

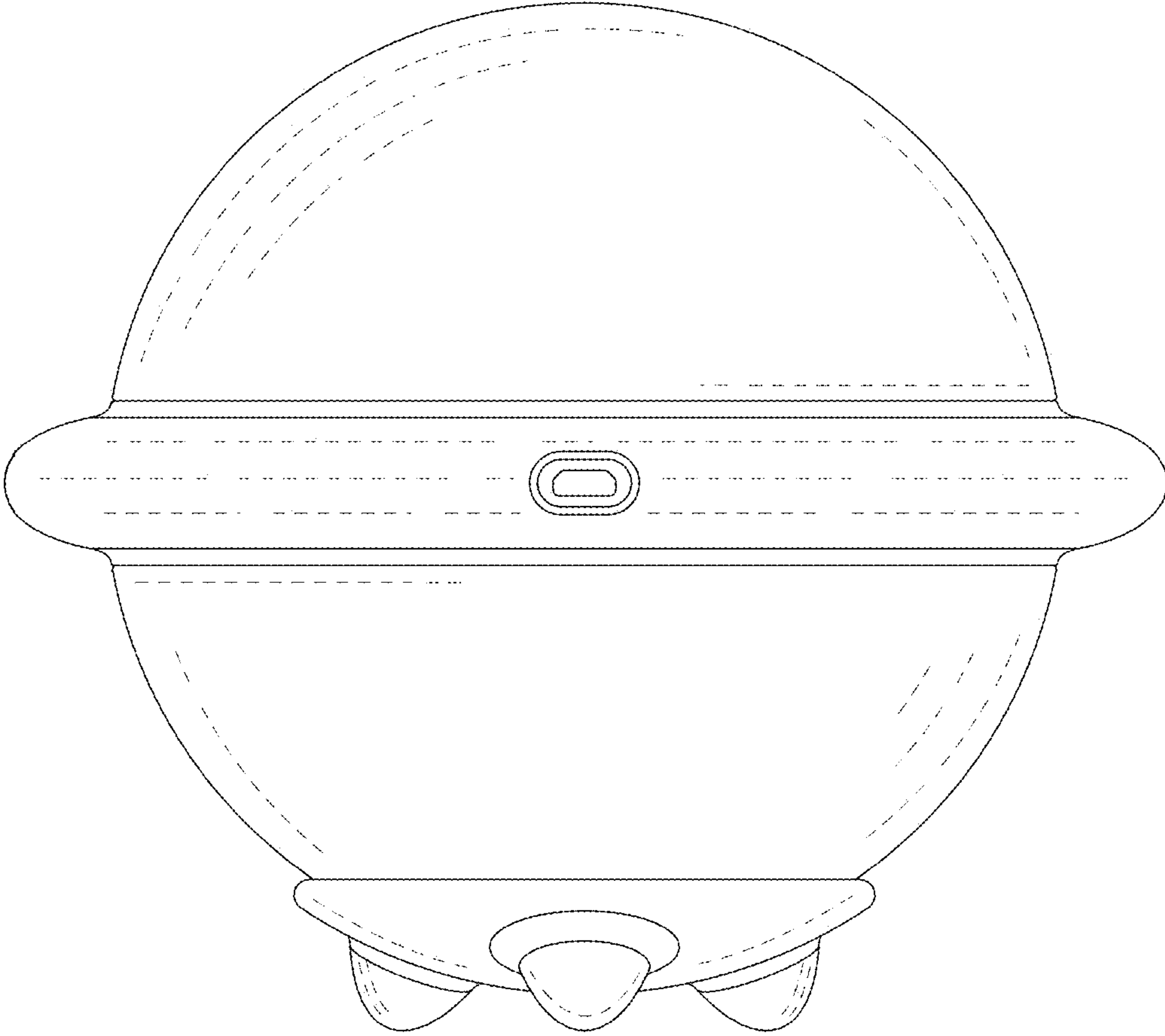


FIG. 2

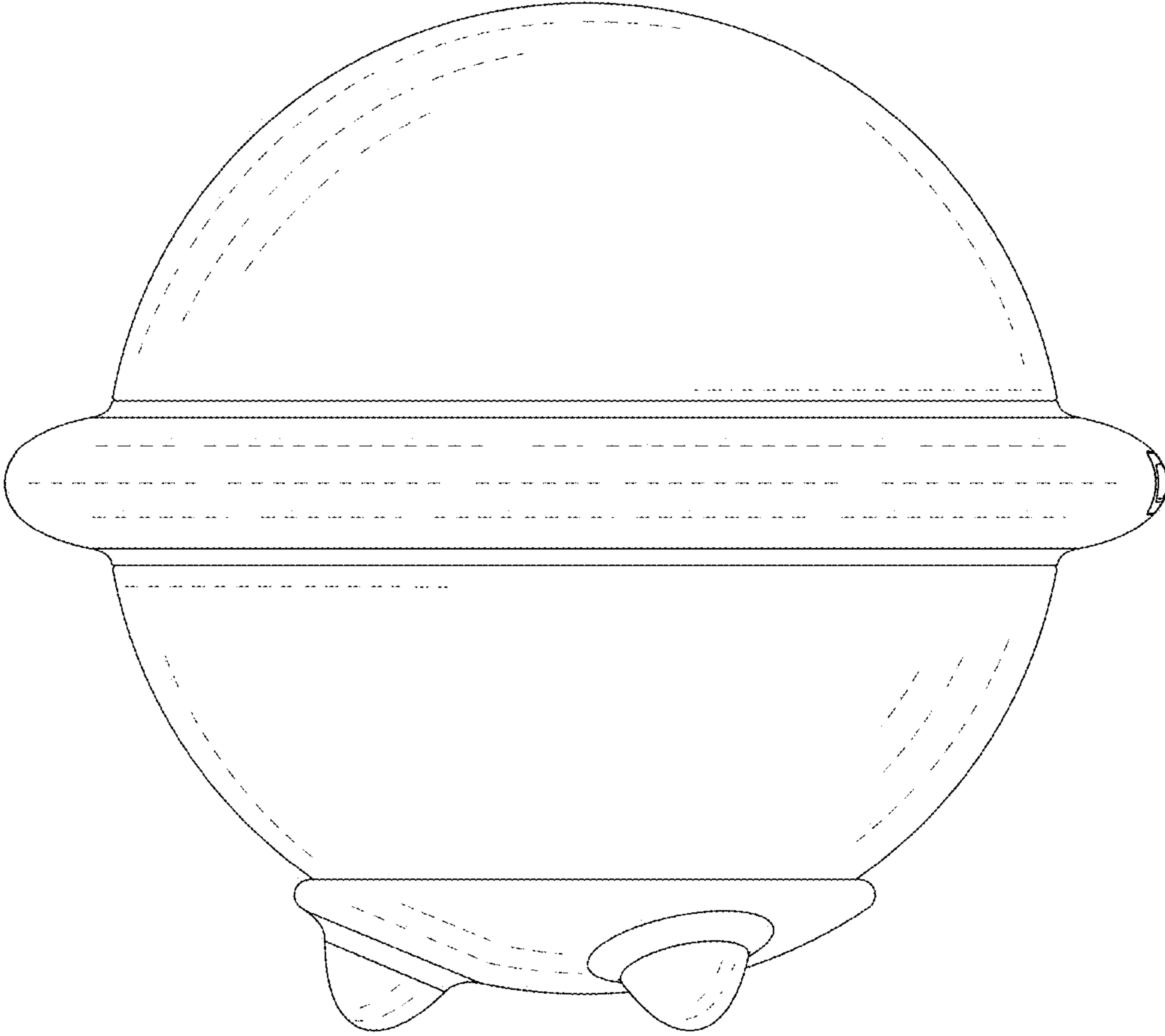


FIG. 3

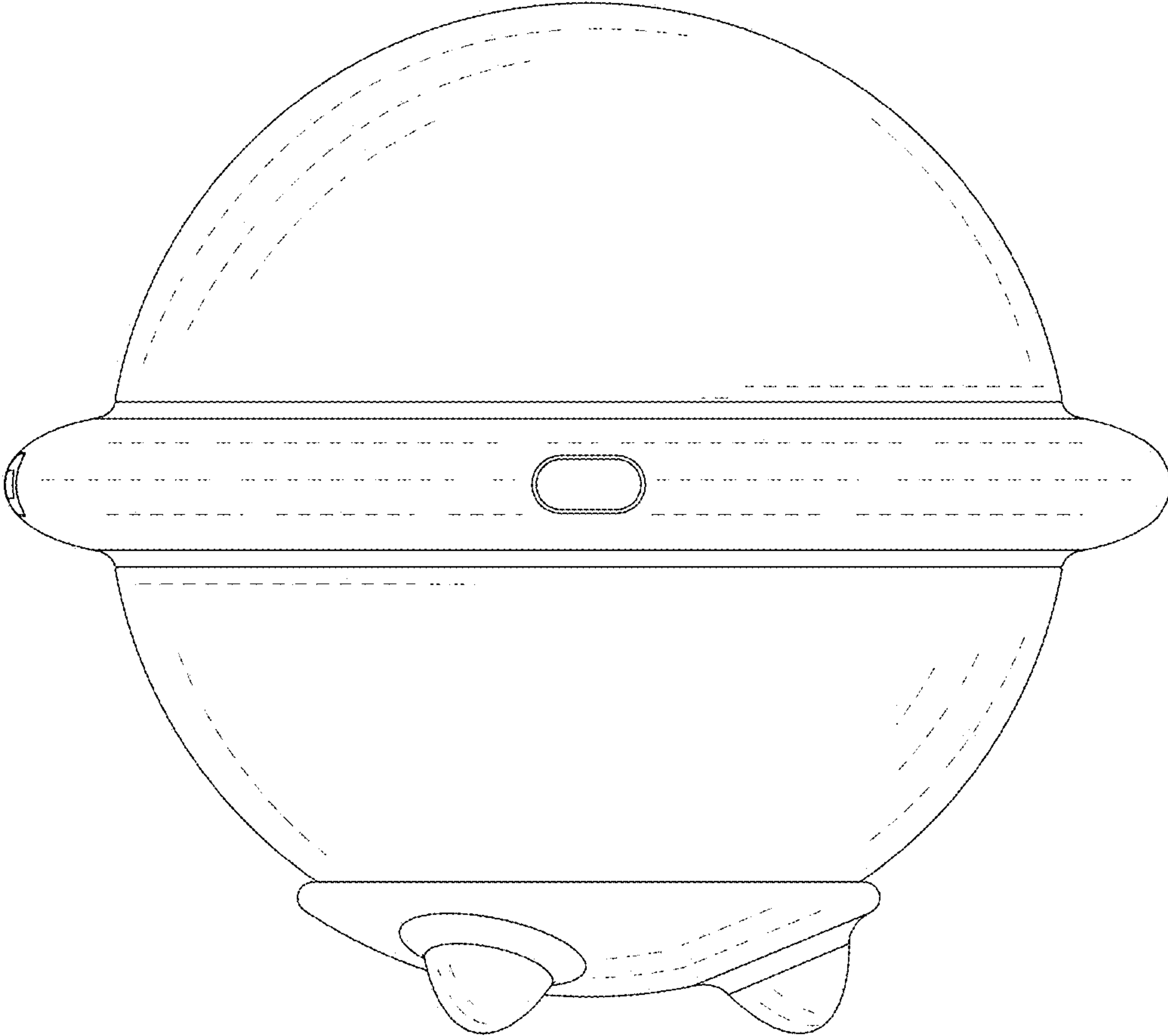


FIG. 4

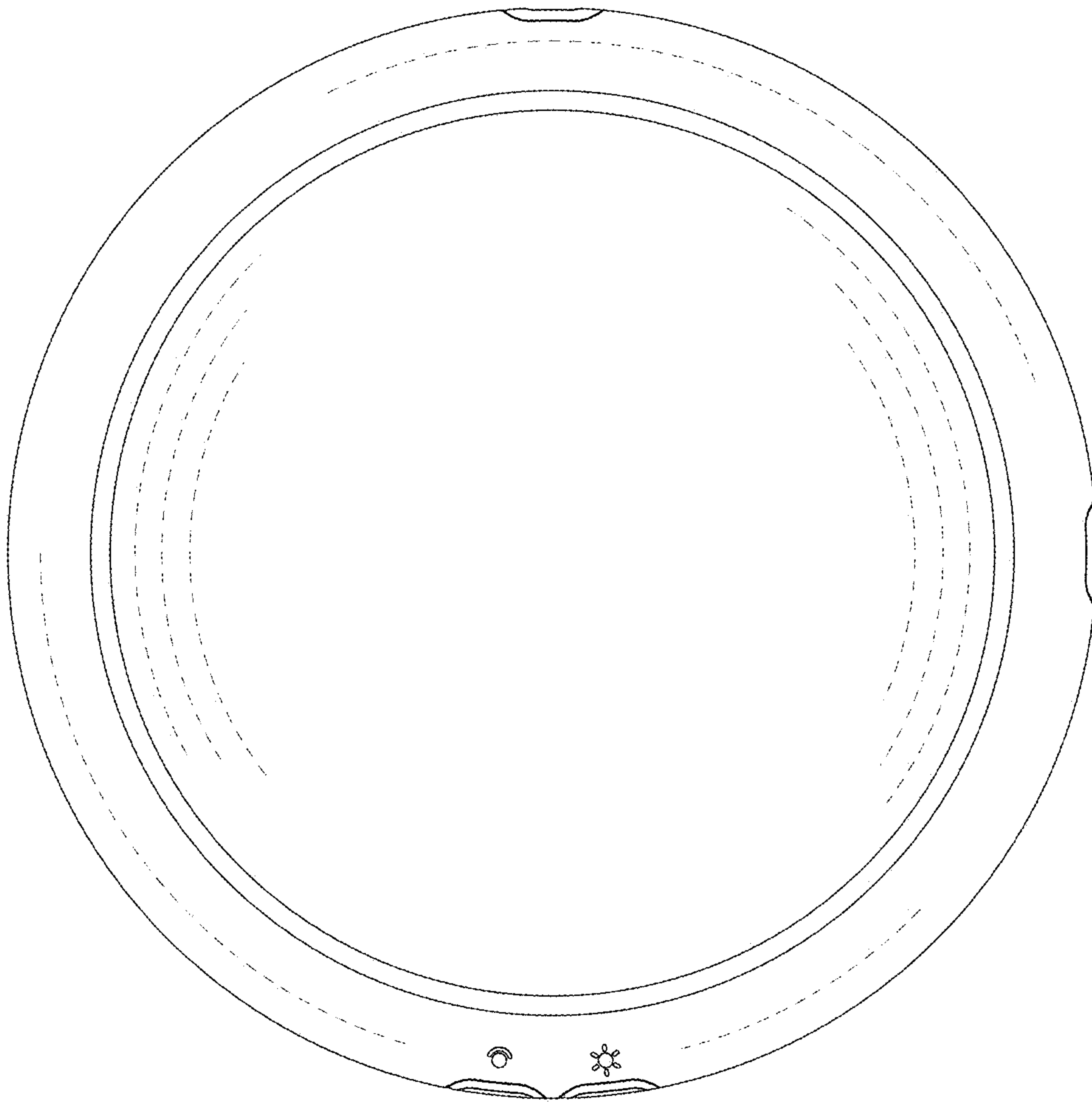


FIG. 5

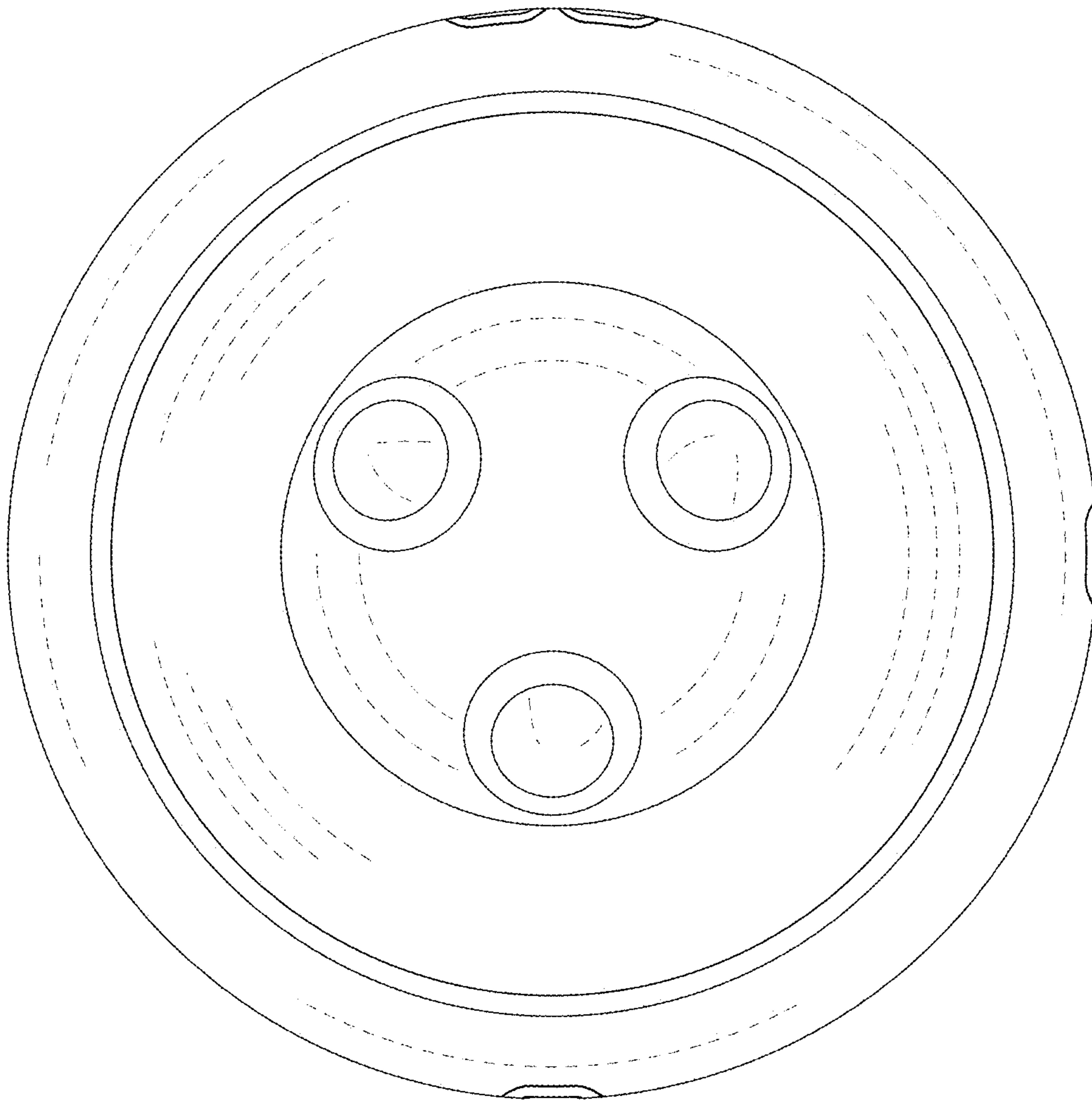


FIG. 6



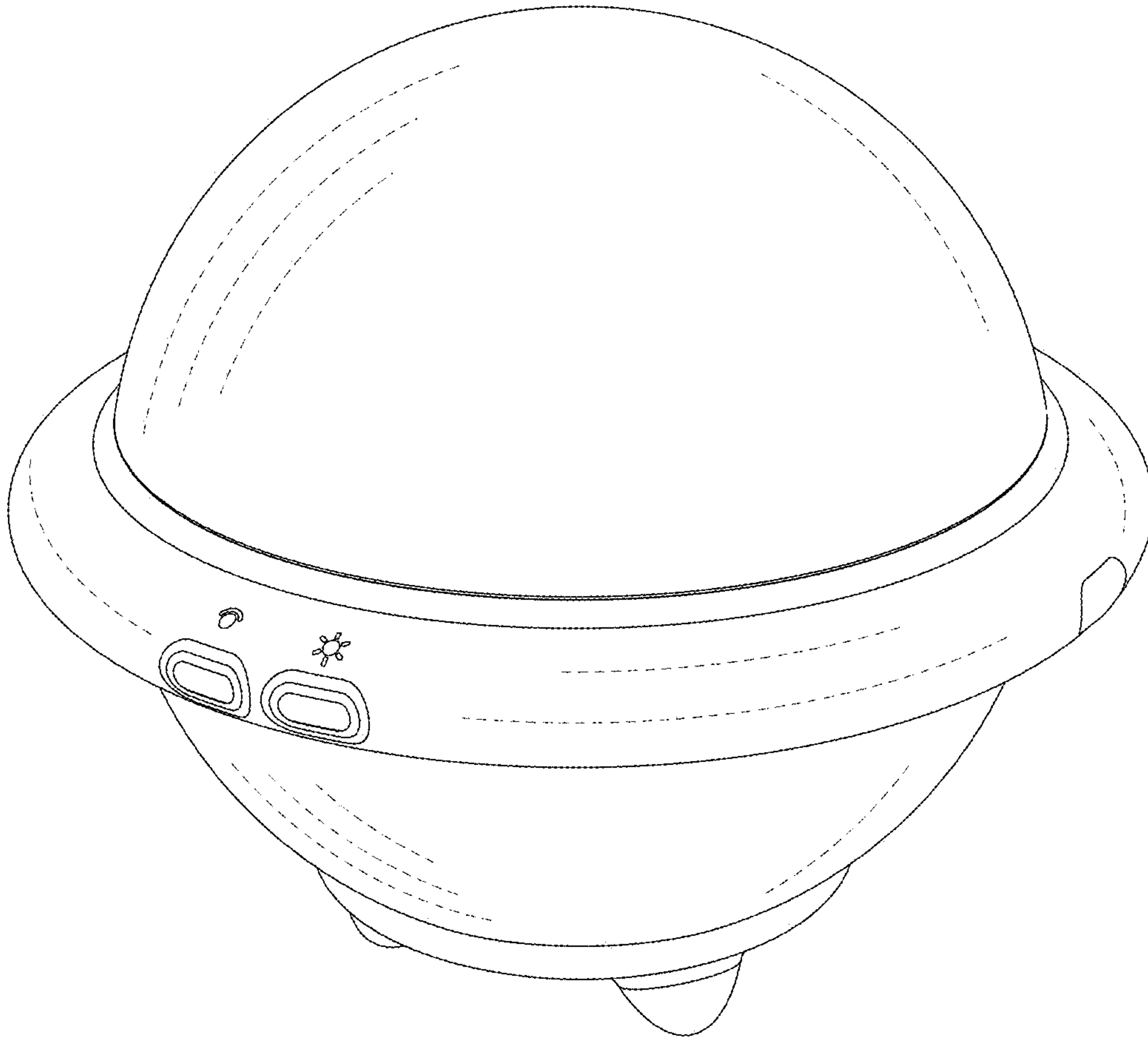


FIG. 7