



US00D901064S

(12) **United States Design Patent**
Hodgson

(10) **Patent No.:** **US D901,064 S**

(45) **Date of Patent:** **** Nov. 3, 2020**

(54) **LAMP**

(71) Applicant: **The Daylight Company (Holdings) Limited**, London (GB)

(72) Inventor: **Fraser Hodgson**, London (GB)

(73) Assignee: **The Daylight Company (Holdings) Limited** (GB)

(**) Term: **15 Years**

(21) Appl. No.: **29/681,329**

(22) Filed: **Feb. 25, 2019**

(30) **Foreign Application Priority Data**

Oct. 12, 2018 (EM) 005797743-0001

(51) **LOC (12) Cl.** **26-03**

(52) **U.S. Cl.**
USPC **D26/102**

(58) **Field of Classification Search**
USPC D26/24, 93, 102, 104, 106, 107
CPC F21S 6/00; F21S 6/002; F21S 8/036; F21S 8/08; F21V 21/00; F21V 21/02; F21V 21/06; F21V 21/116; F21W 2131/30

See application file for complete search history.

(56) **References Cited**

U.S. PATENT DOCUMENTS

D345,231 S *	3/1994	Kramer	D26/102
D347,488 S *	5/1994	Kramer	D26/102
D753,867 S *	4/2016	Yin	D26/107
D821,019 S *	6/2018	Yin	D26/107
D822,878 S *	7/2018	Yeh	D26/107

* cited by examiner

Primary Examiner — Brian N. Vinson

(74) *Attorney, Agent, or Firm* — Laubscher & Laubscher, P.C.

(57) **CLAIM**

The ornamental design for a lamp, as shown.

DESCRIPTION

FIG. 1 is a front perspective view of a lamp according to my invention;

FIG. 2 is a rear perspective view thereof;

FIG. 3 is a front elevation view thereof;

FIG. 4 is a rear elevation view thereof;

FIG. 5 is a right side elevation view thereof;

FIG. 6 is a left side elevation view thereof;

FIG. 7 is a top plan view thereof; and,

FIG. 8 is a bottom plan view thereof.

1 Claim, 8 Drawing Sheets



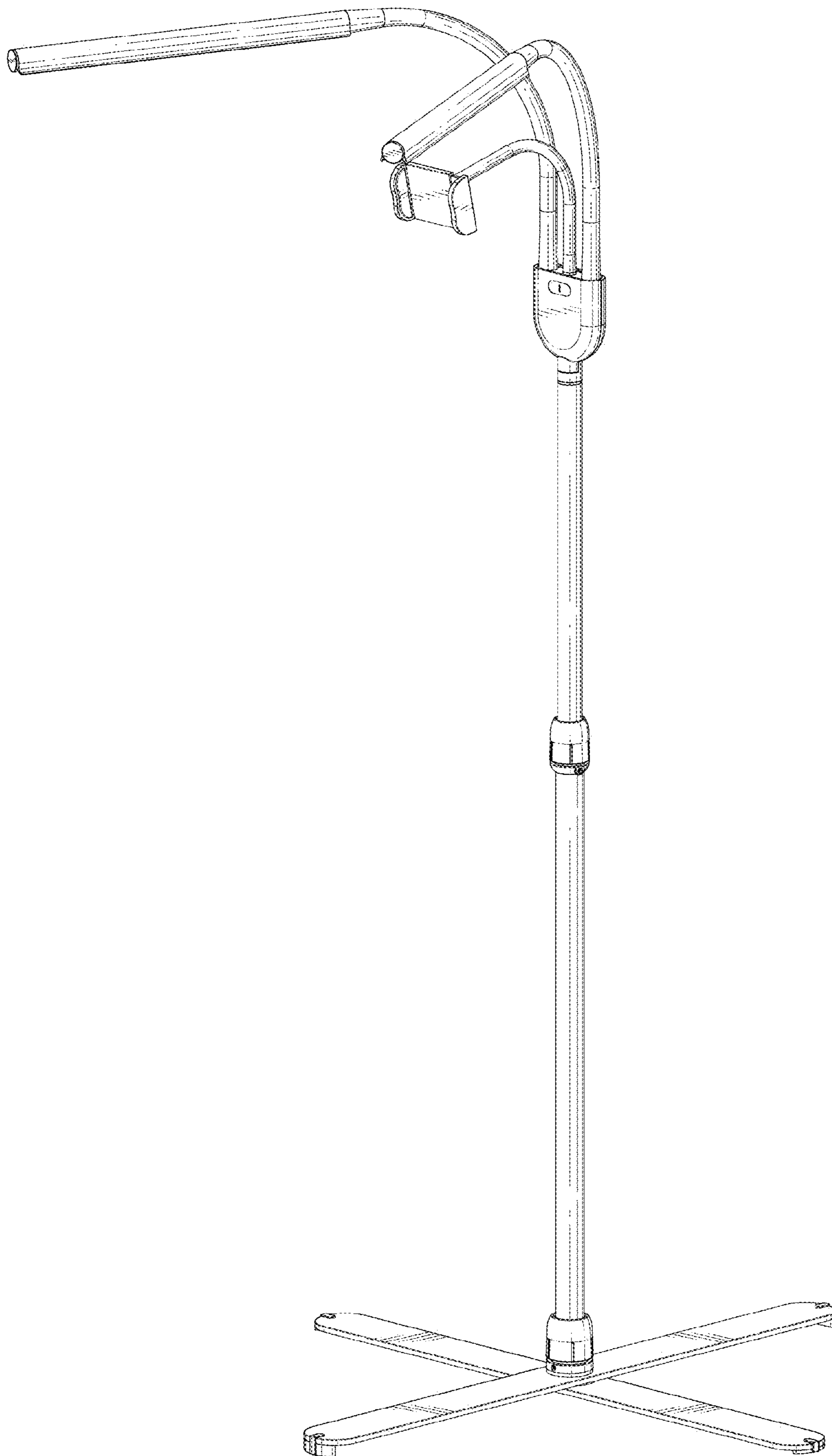


FIG. 1

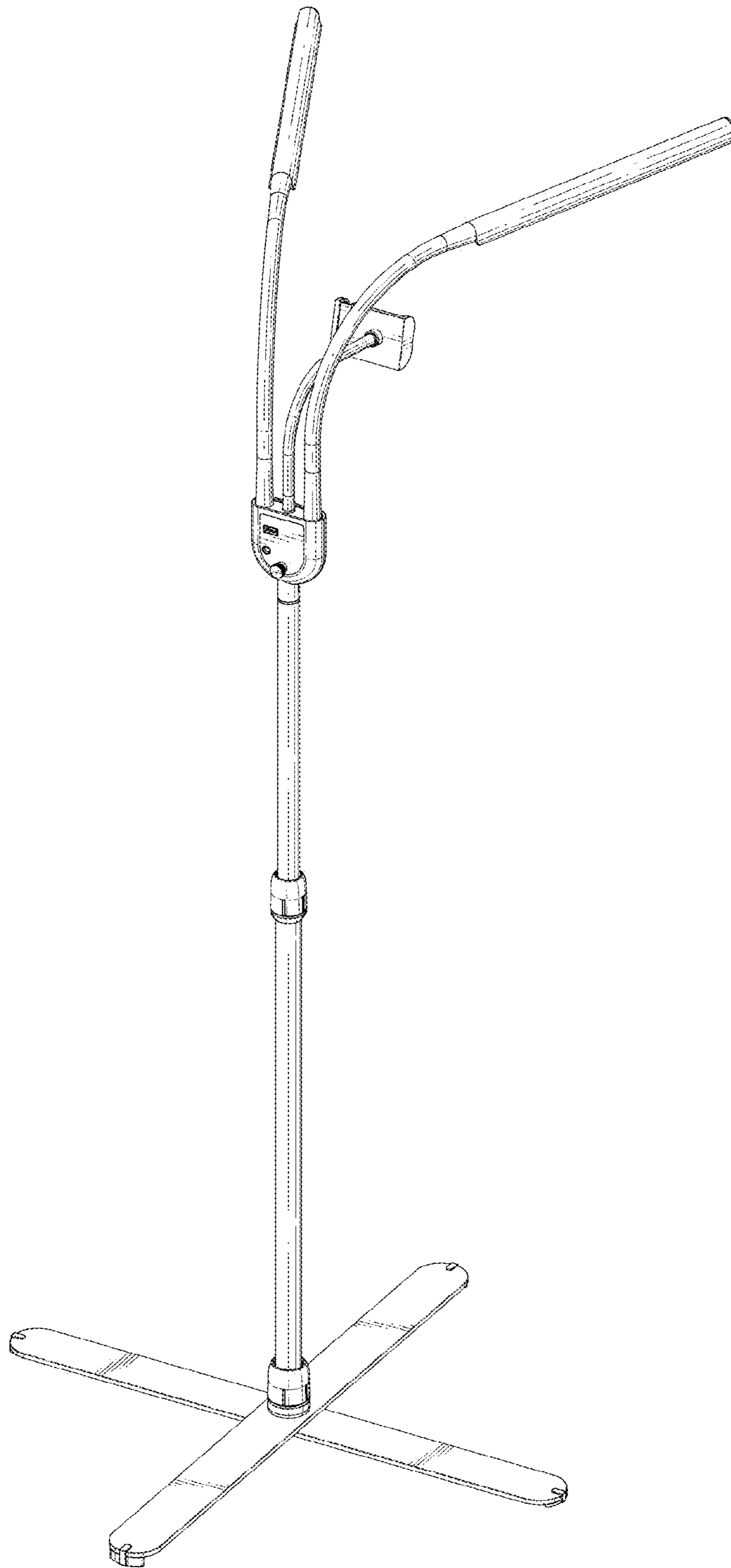


FIG. 2

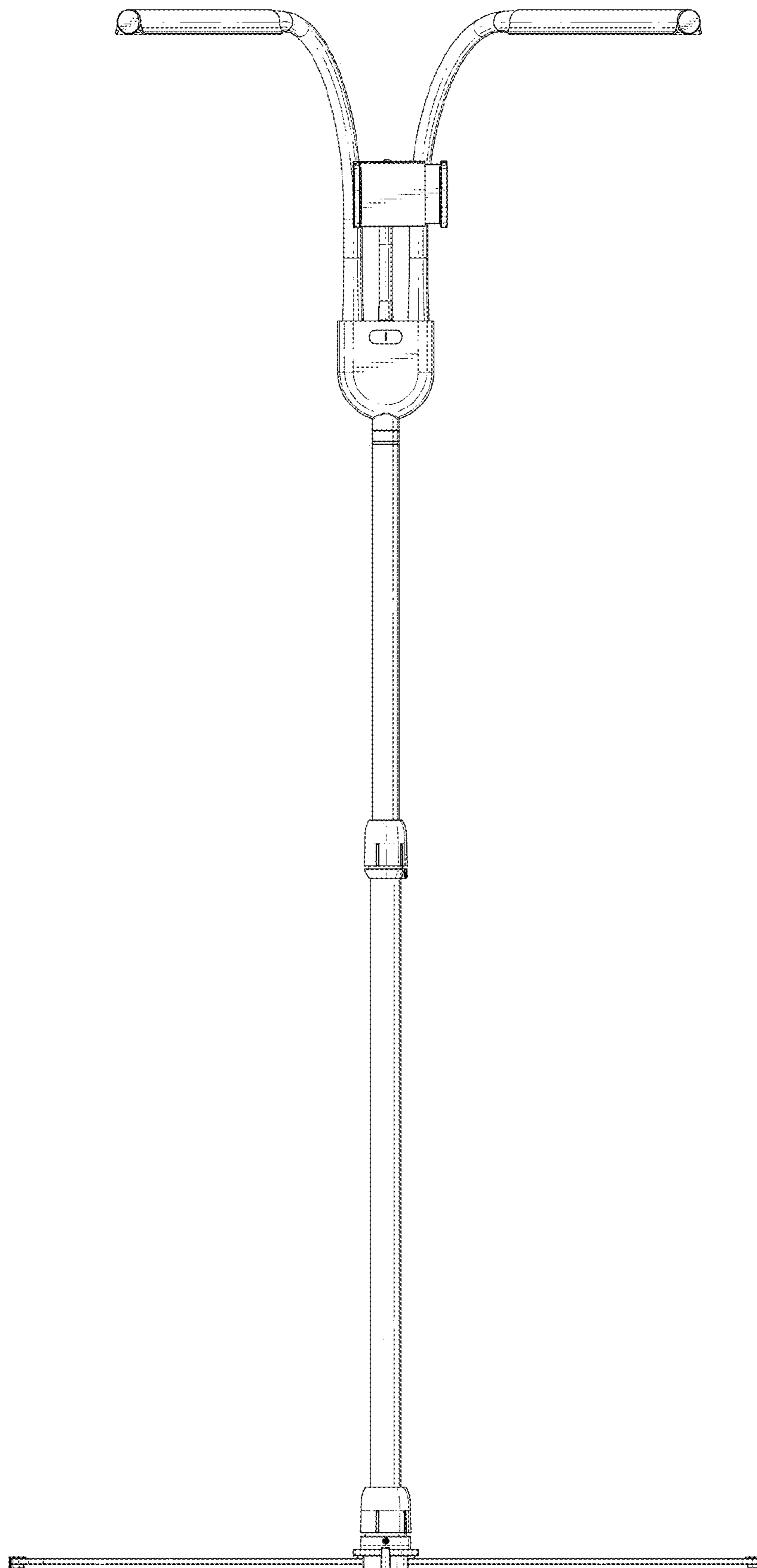


FIG. 3

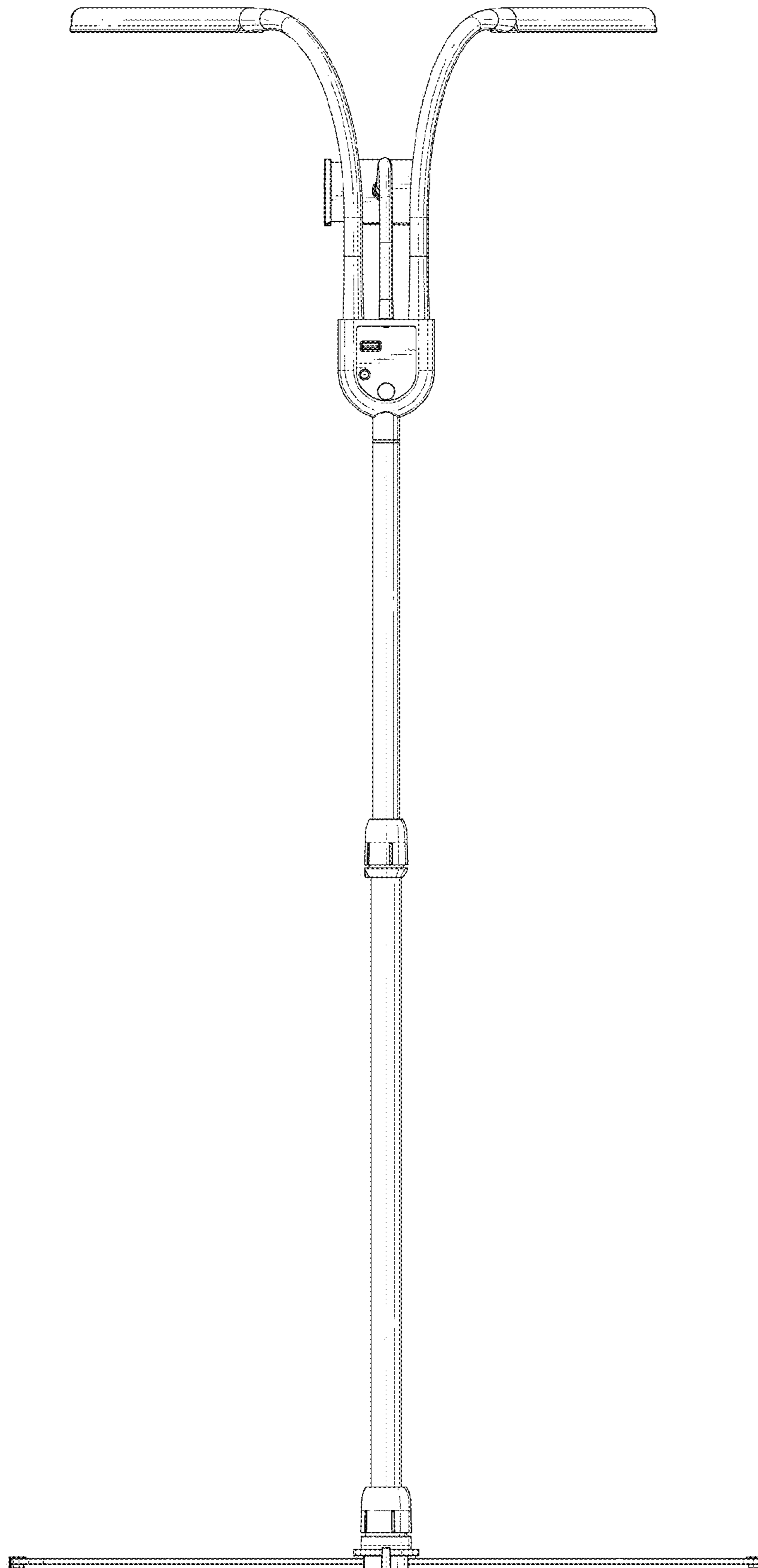


FIG. 4

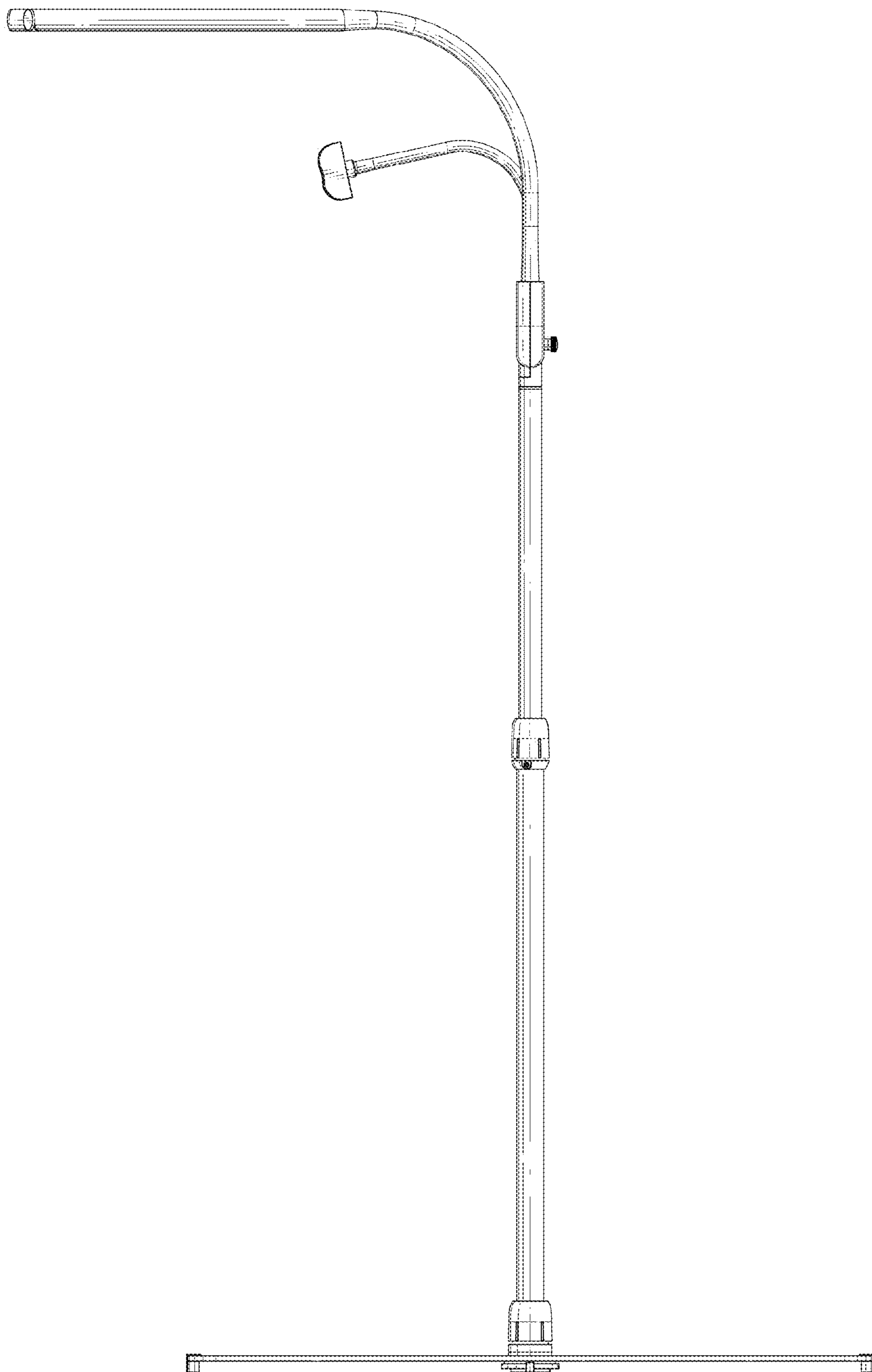


FIG. 5

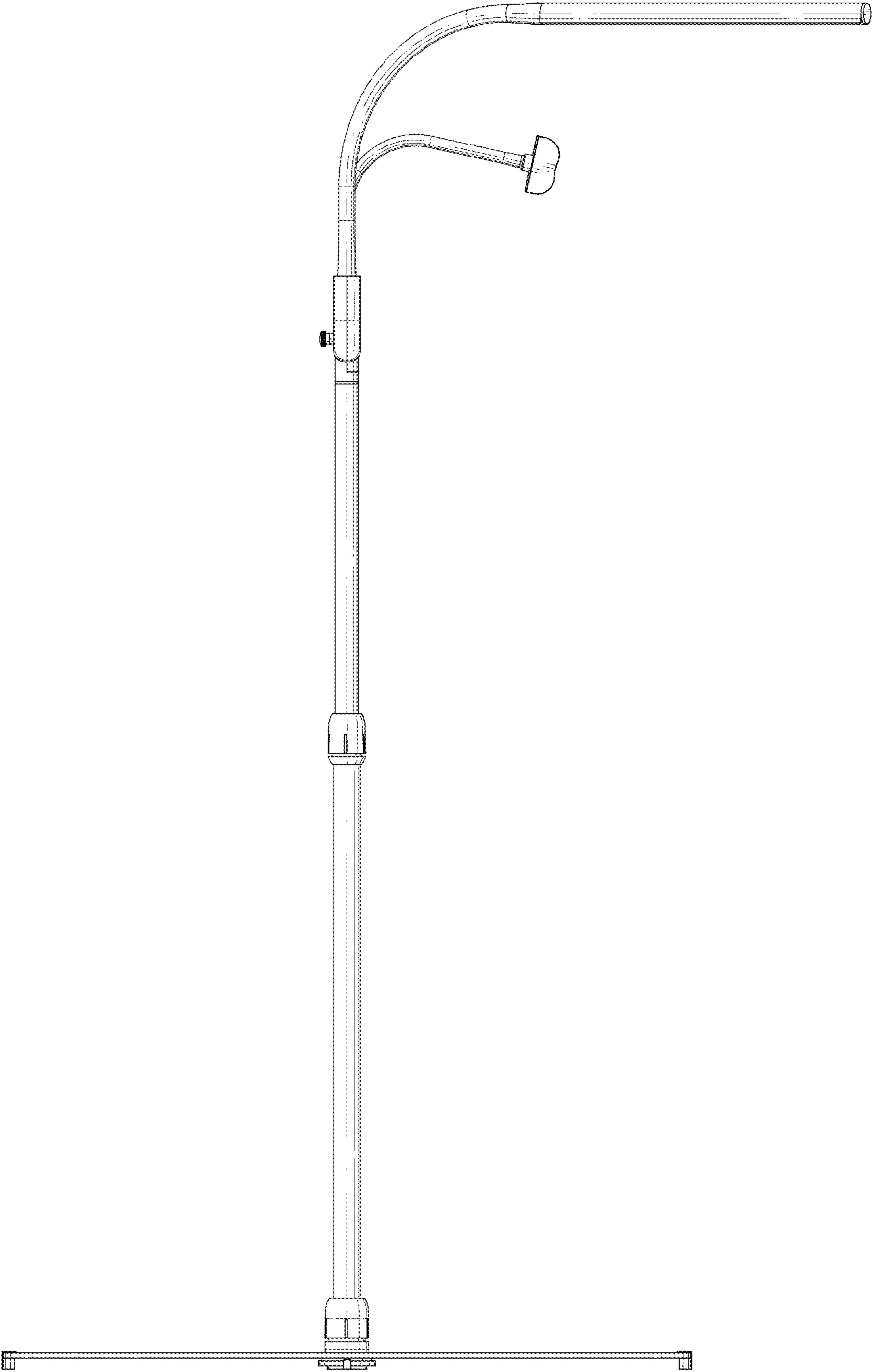


FIG. 6

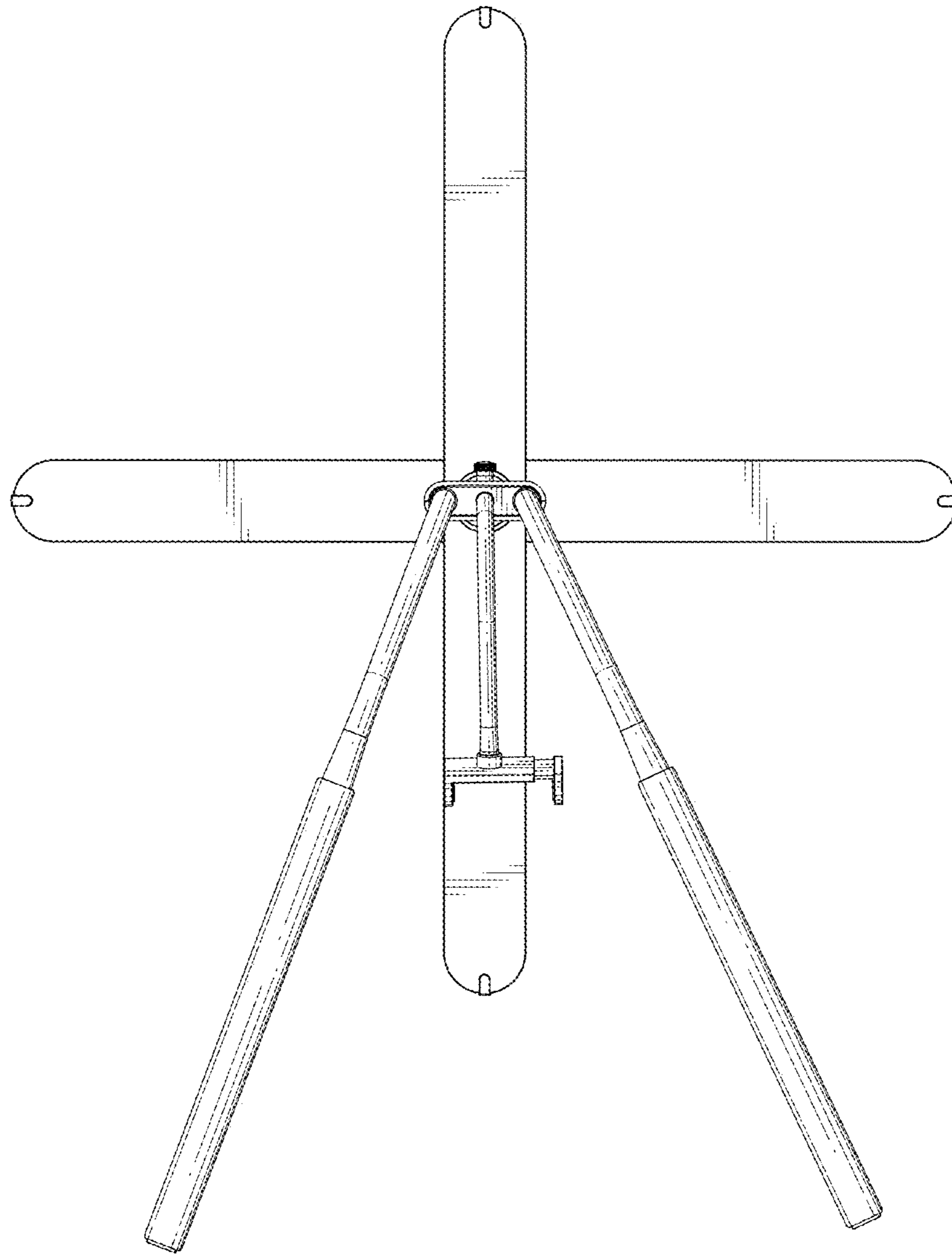


FIG. 7

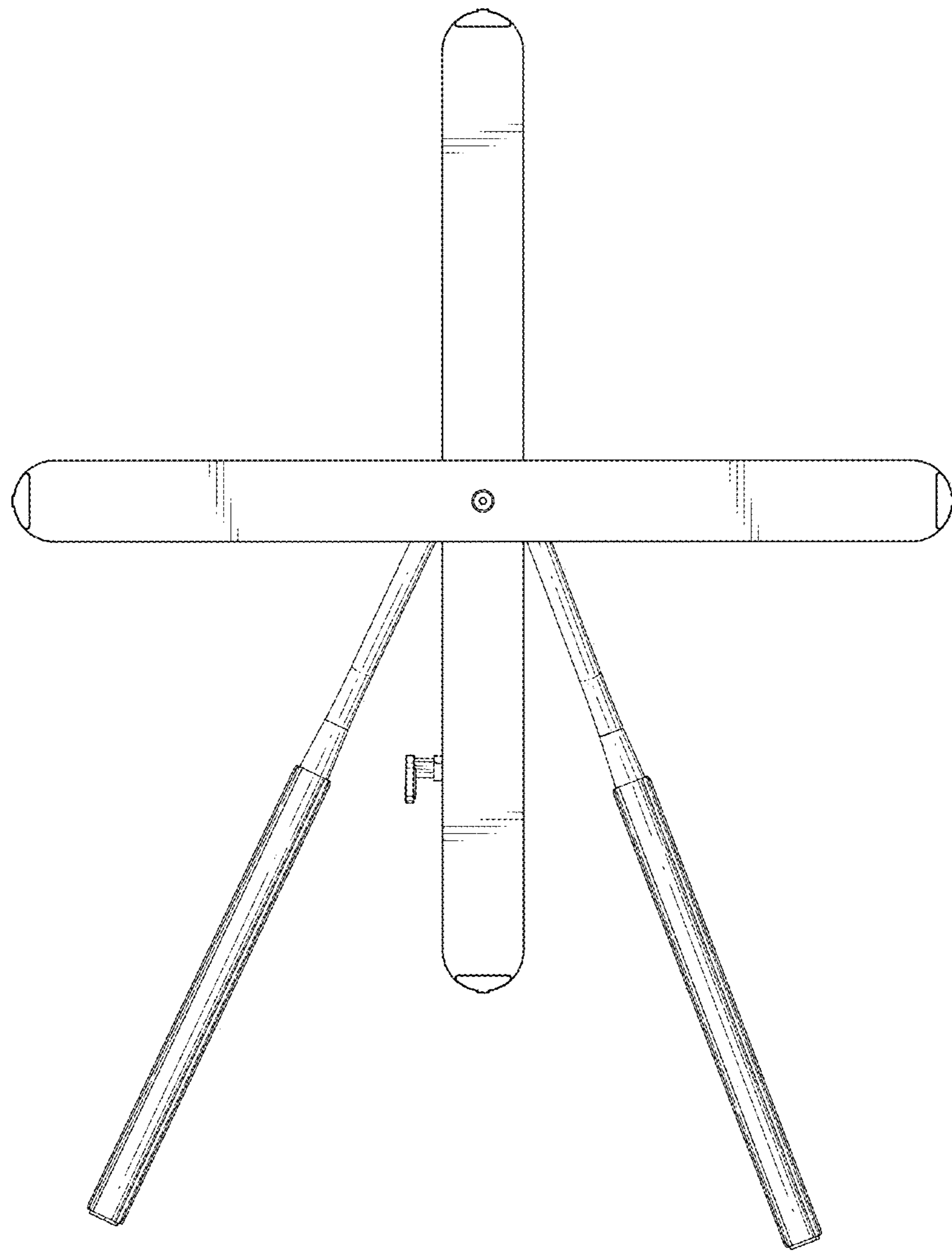


FIG. 8