



US00D901061S

(12) **United States Design Patent** (10) **Patent No.:** **US D901,061 S**
Stanley (45) **Date of Patent:** **** Nov. 3, 2020**

- (54) **BALLAST**
- (71) Applicant: **HGCI, Inc.**, Las Vegas, NV (US)
- (72) Inventor: **John Stanley**, Vancouver, WA (US)
- (73) Assignee: **HGCI, Inc.**, Las Vegas, NV (US)
- (**) Term: **15 Years**
- (21) Appl. No.: **29/699,709**
- (22) Filed: **Jul. 29, 2019**

D837,442 S *	1/2019	Reynolds	D26/118
D843,641 S *	3/2019	Stanley	D26/118
D848,663 S *	5/2019	Reynolds	D26/118
D848,664 S *	5/2019	Reynolds	D26/118
D848,665 S *	5/2019	Stanley	D26/118
D851,814 S *	6/2019	Stanley	D26/118
D855,238 S *	7/2019	Stanley	D26/76
D864,455 S *	10/2019	Sullivan	D26/76
D872,338 S *	1/2020	Deng	D26/76
D881,445 S *	4/2020	Reynolds	D26/118
D883,555 S *	5/2020	Jordan	D26/76

* cited by examiner

Primary Examiner — Natasha Vujcic
(74) *Attorney, Agent, or Firm* — Ulmer & Berne LLP

Related U.S. Application Data

- (63) Continuation of application No. 29/623,935, filed on Oct. 27, 2017, now Pat. No. Des. 855,238.
- (51) **LOC (12) Cl.** **26-04**
- (52) **U.S. Cl.**
USPC **D26/76**
- (58) **Field of Classification Search**
USPC D26/72, 74, 76, 78–83, 85, 86, 88, 90,
D26/93, 111, 113, 118, 119, 120, 121,
D26/122, 138, 139, 140, 141, 142, 152
CPC F21S 2/00; F21S 4/00; F21S 4/003; F21S
4/005; F21S 4/006; F21S 4/007; F21S
4/008; F21S 6/00; F21S 8/00; F21S
8/024; F21S 8/026; F21S 8/031; F21S
8/033; F21S 8/035–037; F21S 8/04; F21S
8/043; F21S 8/063
See application file for complete search history.

(57) **CLAIM**

The ornamental design for a ballast, as shown and described.

DESCRIPTION

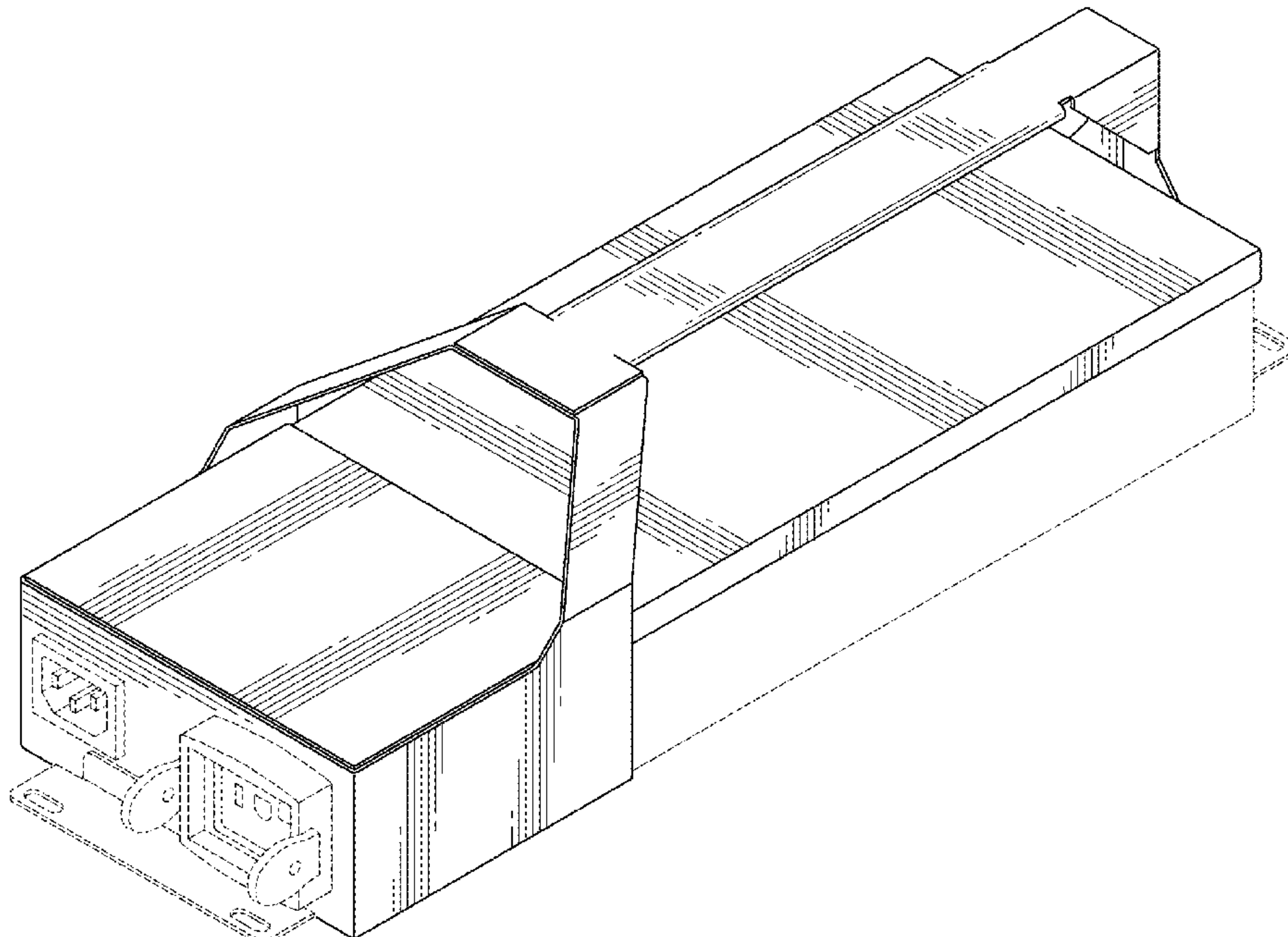
FIG. 1 is a perspective view of a ballast, as viewed from below, showing my new design;
 FIG. 2 is a perspective view of the ballast shown in FIG. 1, as viewed from above;
 FIG. 3 is a left side view of the ballast shown in FIG. 1;
 FIG. 4 is a right side view of the ballast shown in FIG. 1;
 FIG. 5 is a front elevation view of the ballast shown in FIG. 1;
 FIG. 6 is a rear elevation view of the ballast shown in FIG. 1;
 FIG. 7 is a top plan view of the ballast shown in FIG. 1; and,
 FIG. 8 is a bottom plan view of the ballast shown in FIG. 1.
 The broken-line disclosure shown in the views is understood to represent portions of the article in which the claimed design is embodied, but which form no part of the claimed design.

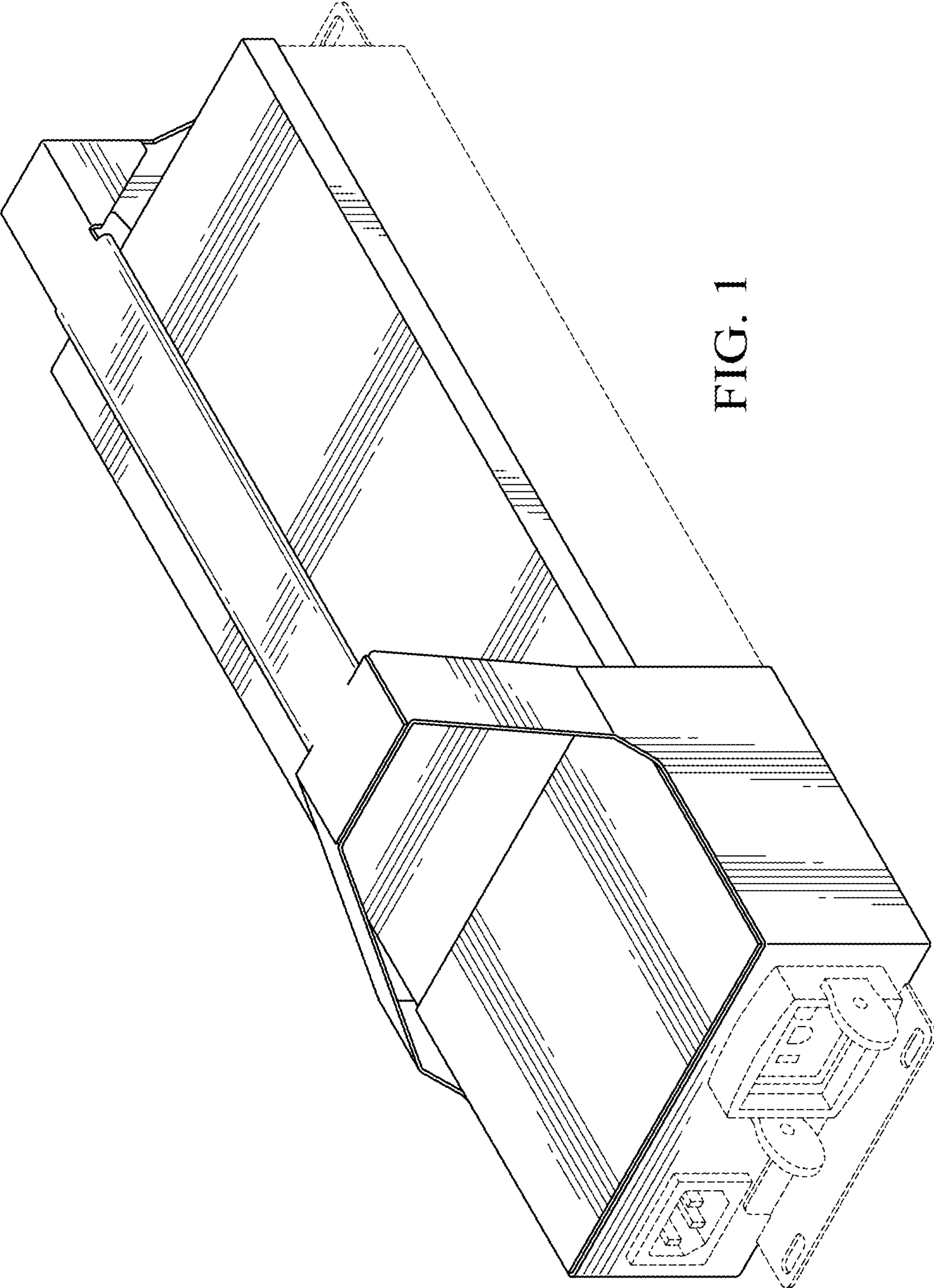
(56) **References Cited**

U.S. PATENT DOCUMENTS

D797,351 S *	9/2017	Stanley	D26/118
D822,883 S *	7/2018	Stanley	D26/118

1 Claim, 5 Drawing Sheets





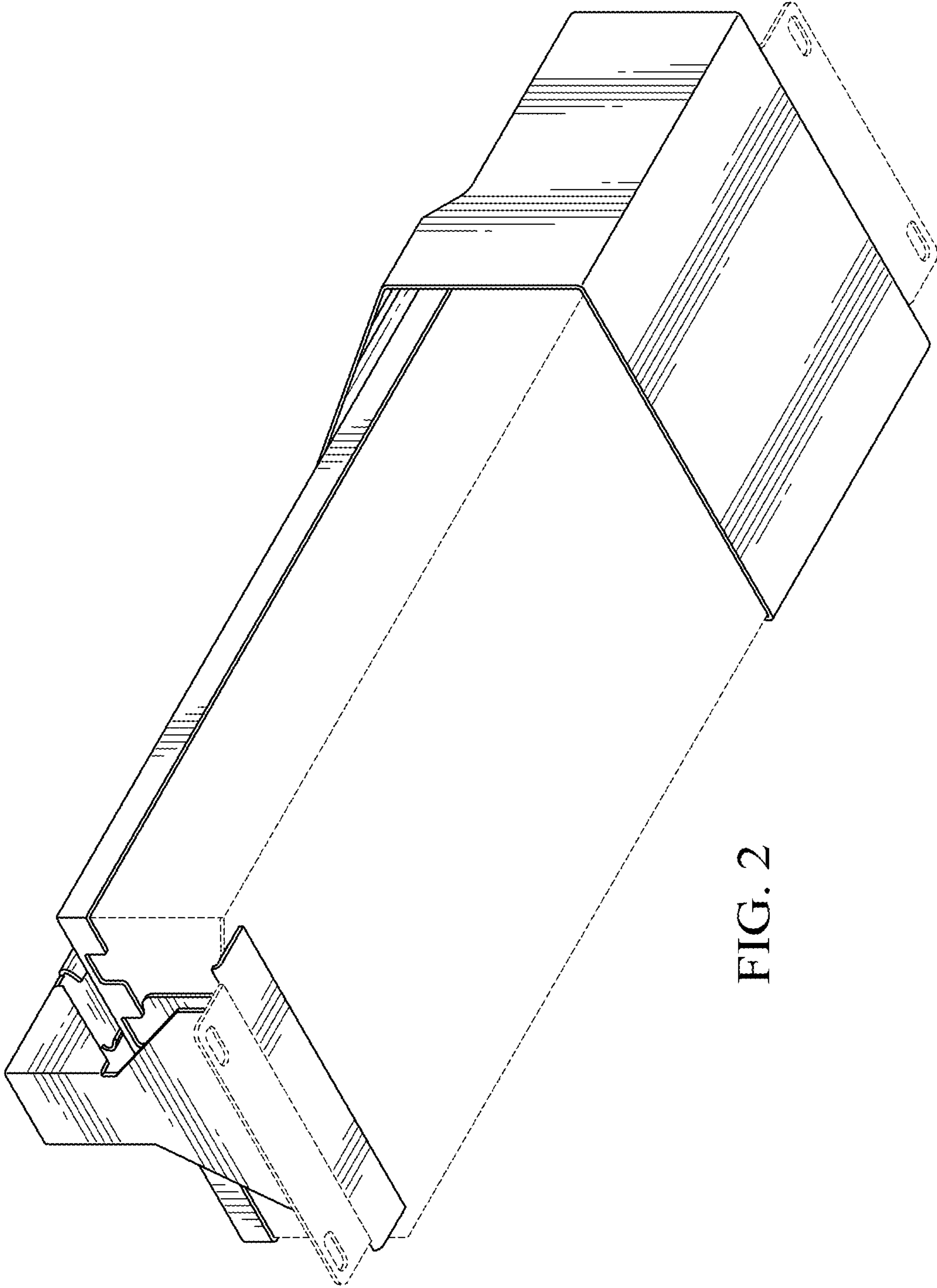


FIG. 2

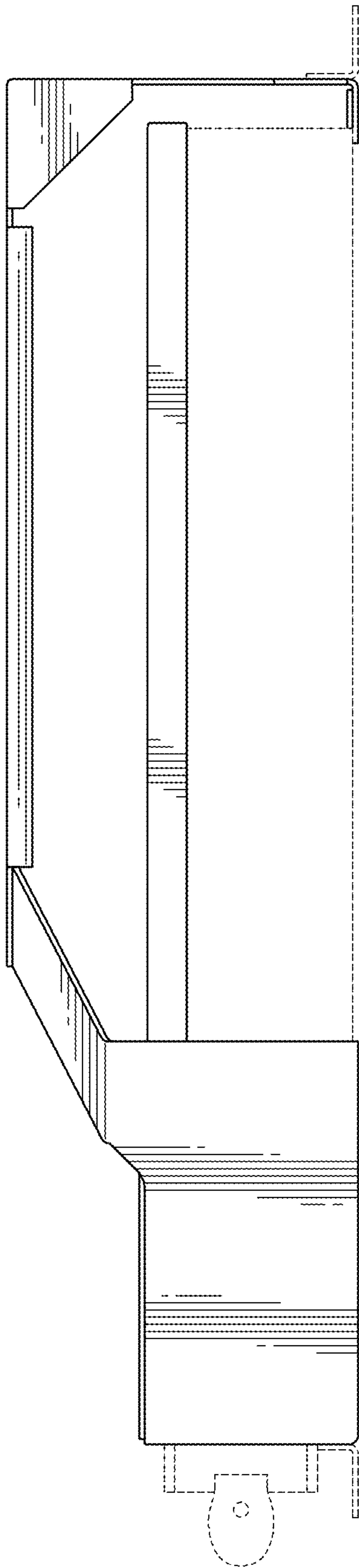


FIG. 3

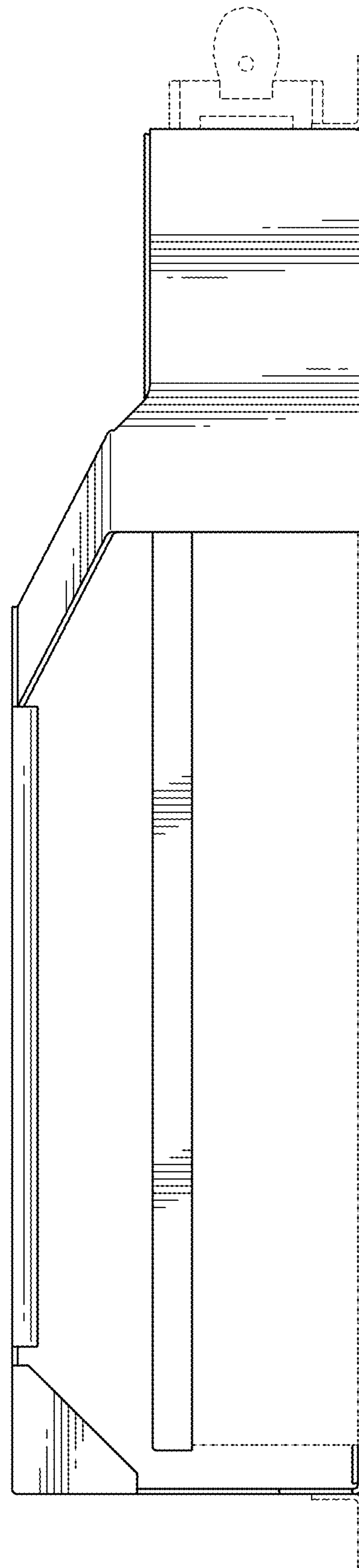


FIG. 4

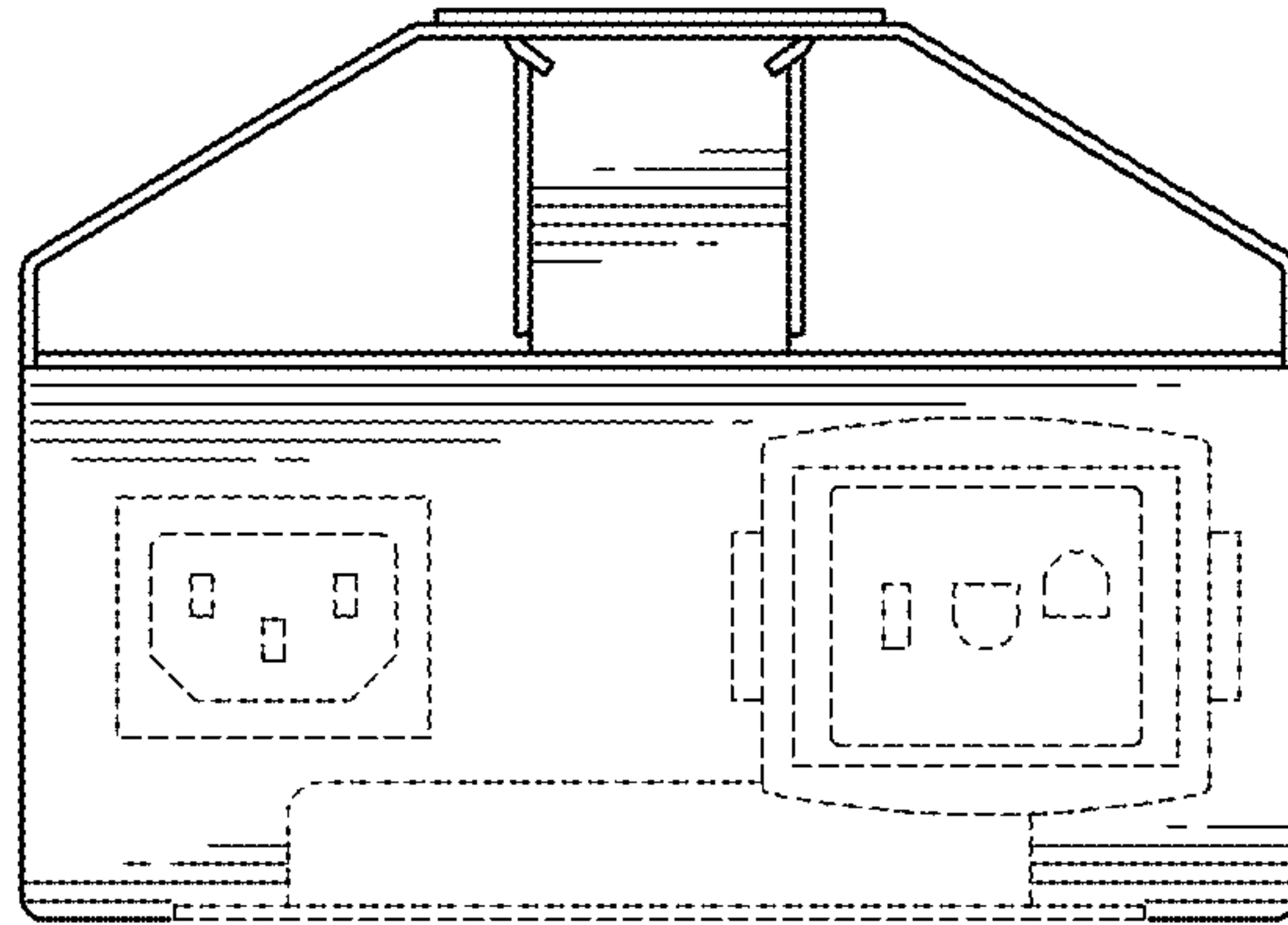


FIG. 5

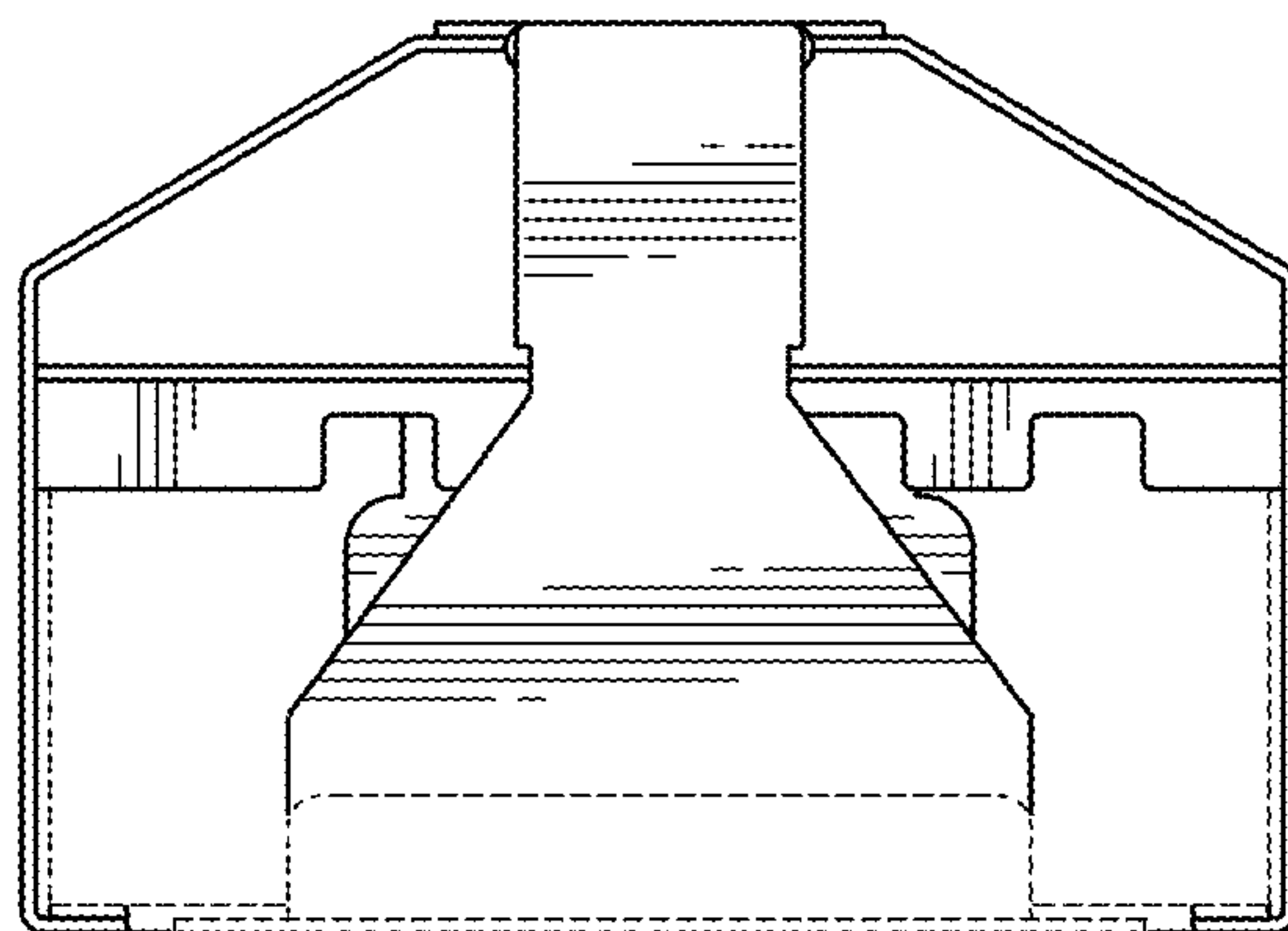


FIG. 6

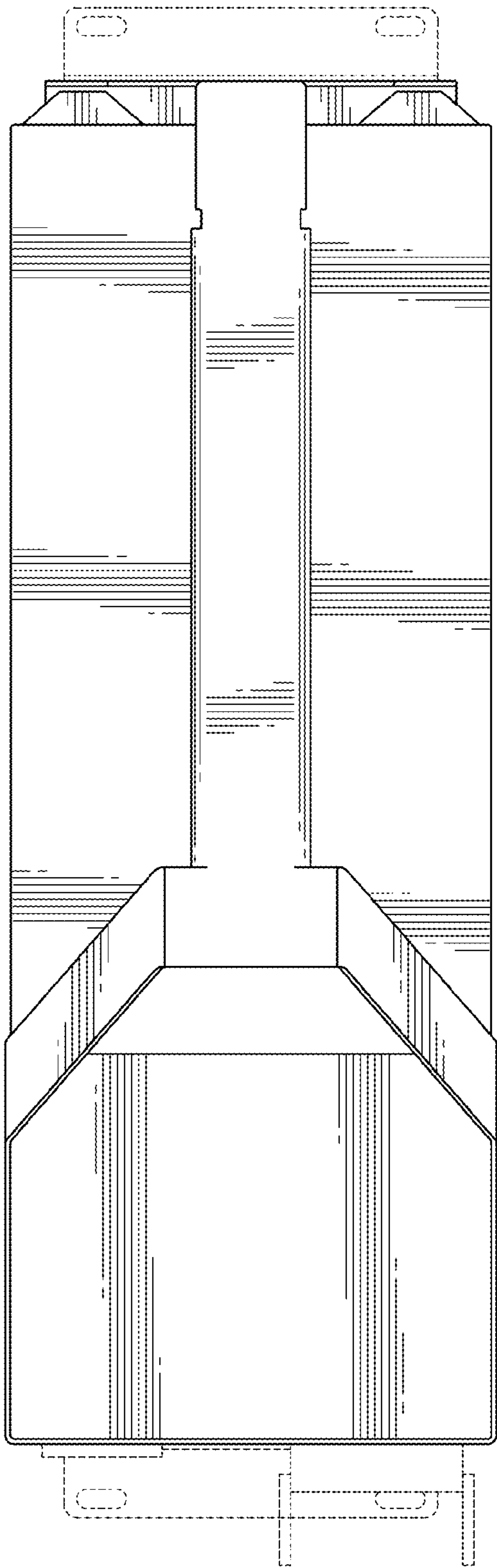


FIG. 7

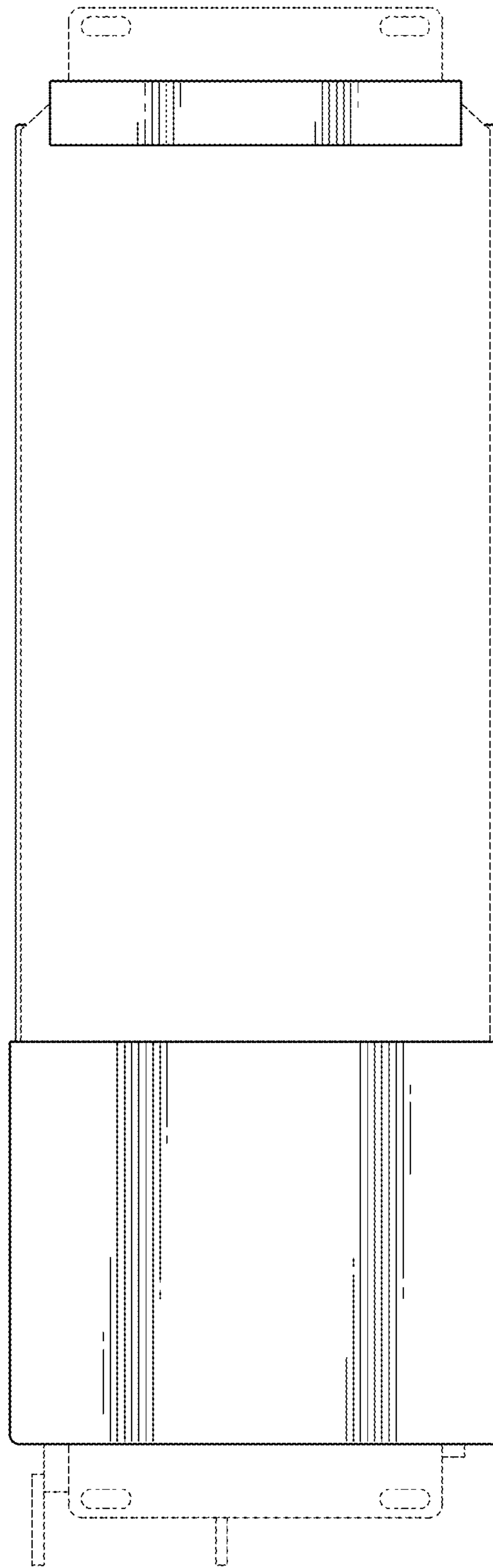


FIG. 8