



US00D901060S

(12) **United States Design Patent**
Ellis et al.

(10) **Patent No.:** **US D901,060 S**

(45) **Date of Patent:** **** Nov. 3, 2020**

(54) **HOUSING FOR LIGHT EMITTING DIODES**

(71) Applicant: **RGF ENVIRONMENTAL GROUP, INC.**, Riviera Beach, FL (US)

(72) Inventors: **Walter B. Ellis**, Jupiter, FL (US);
Sergei Chtchavelev, Greenacres, FL (US)

(**) Term: **15 Years**

(21) Appl. No.: **29/680,899**

(22) Filed: **Feb. 21, 2019**

(51) **LOC (12) Cl.** **26-04**

(52) **U.S. Cl.**
USPC **D26/76**

(58) **Field of Classification Search**
USPC D26/72, 74, 76, 78–83, 85, 86, 88, 90,
D26/93, 111, 113, 118, 119, 120, 121,
D26/122, 138, 139, 140, 141, 142, 152
CPC F21S 2/00; F21S 4/00; F21S 4/003; F21S
4/005; F21S 4/006; F21S 4/007; F21S
4/008; F21S 6/00; F21S 8/00; F21S
8/024; F21S 8/026; F21S 8/031; F21S
8/033; F21S 8/035–037; F21S 8/04; F21S
8/043; F21S 8/063
See application file for complete search history.

(56) **References Cited**

U.S. PATENT DOCUMENTS

D580,087 S * 11/2008 Couture D26/76
D602,627 S * 10/2009 Lasthein D26/76
D632,419 S * 2/2011 Ng D26/78
D654,612 S * 2/2012 Ng D26/80

D681,873 S * 5/2013 Hoch D26/141
D693,048 S * 11/2013 Ng D26/76
D693,514 S * 11/2013 Mueller D26/76
D713,981 S * 9/2014 Law D26/31
D735,390 S * 7/2015 Yanping D26/74
D753,332 S * 4/2016 De Bevilacqua D26/106
D754,902 S * 4/2016 Parker D26/76
D850,698 S * 6/2019 Prats D26/76
D851,805 S * 6/2019 Chen D26/76
D858,851 S * 9/2019 Petersen D26/76
D858,852 S * 9/2019 Chen D26/76
D863,646 S * 10/2019 Tremaine D26/76
D885,633 S * 5/2020 Patel D26/76
D885,634 S * 5/2020 Bhavanbhai Patel D26/76

* cited by examiner

Primary Examiner — Natasha Vujcic

(74) *Attorney, Agent, or Firm* — Rothwell, Figg, Ernst & Manbeck, P.C.

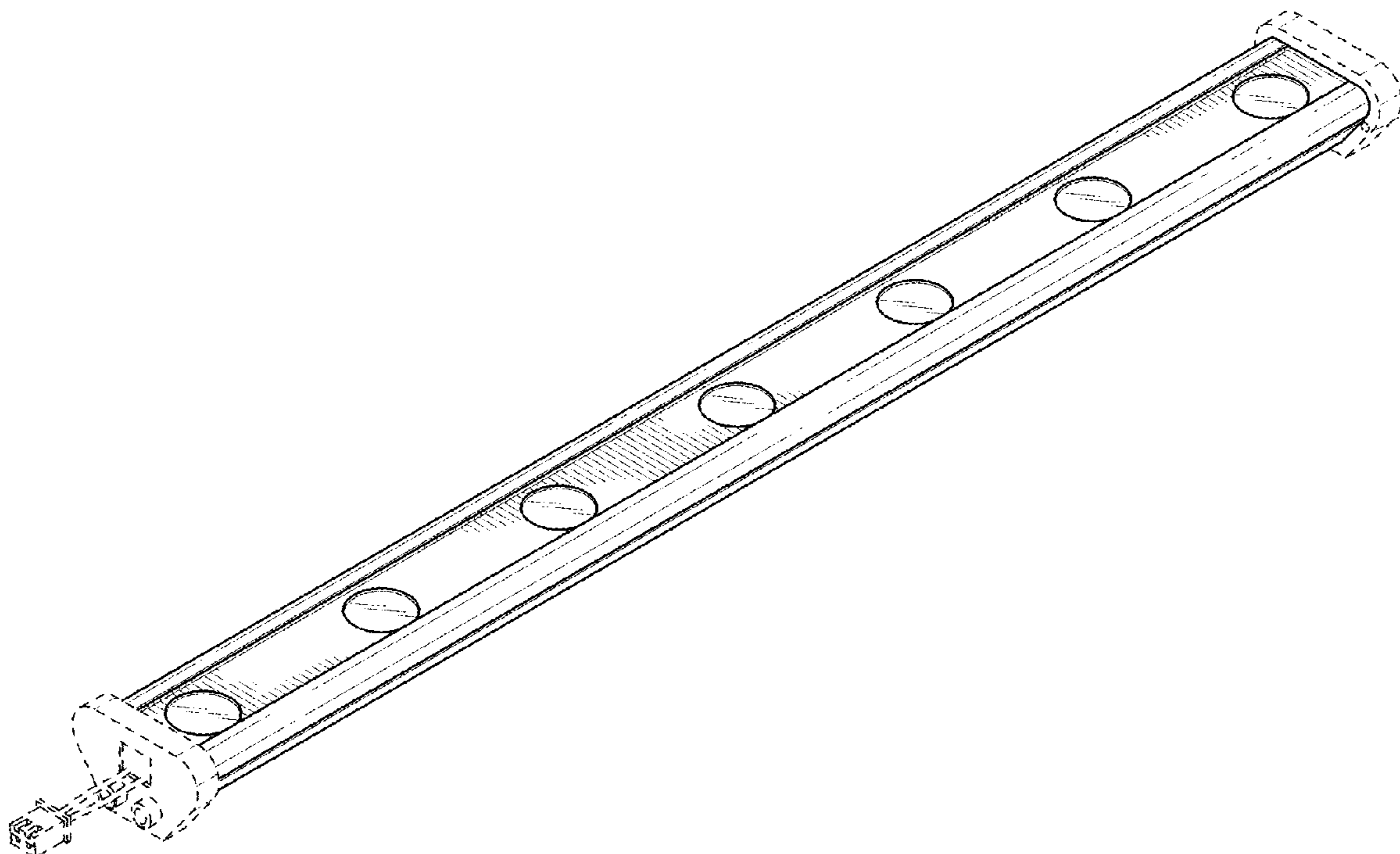
(57) **CLAIM**

The ornamental design for a housing for light emitting diodes, as shown and described.

DESCRIPTION

FIG. 1 shows a perspective view of the housing for light emitting diodes;
FIG. 2 shows a side elevation view thereof;
FIG. 3 shows a bottom side elevation view thereof; and,
FIG. 4 shows a top side elevation view thereof.
The broken lines of FIG. 1 to FIG. 4 illustrate portions of the housing for light emitting diodes that form no part of the claimed design. The side opposite that shown in FIG. 2 is a mirror image of that shown in FIG. 2.

1 Claim, 2 Drawing Sheets



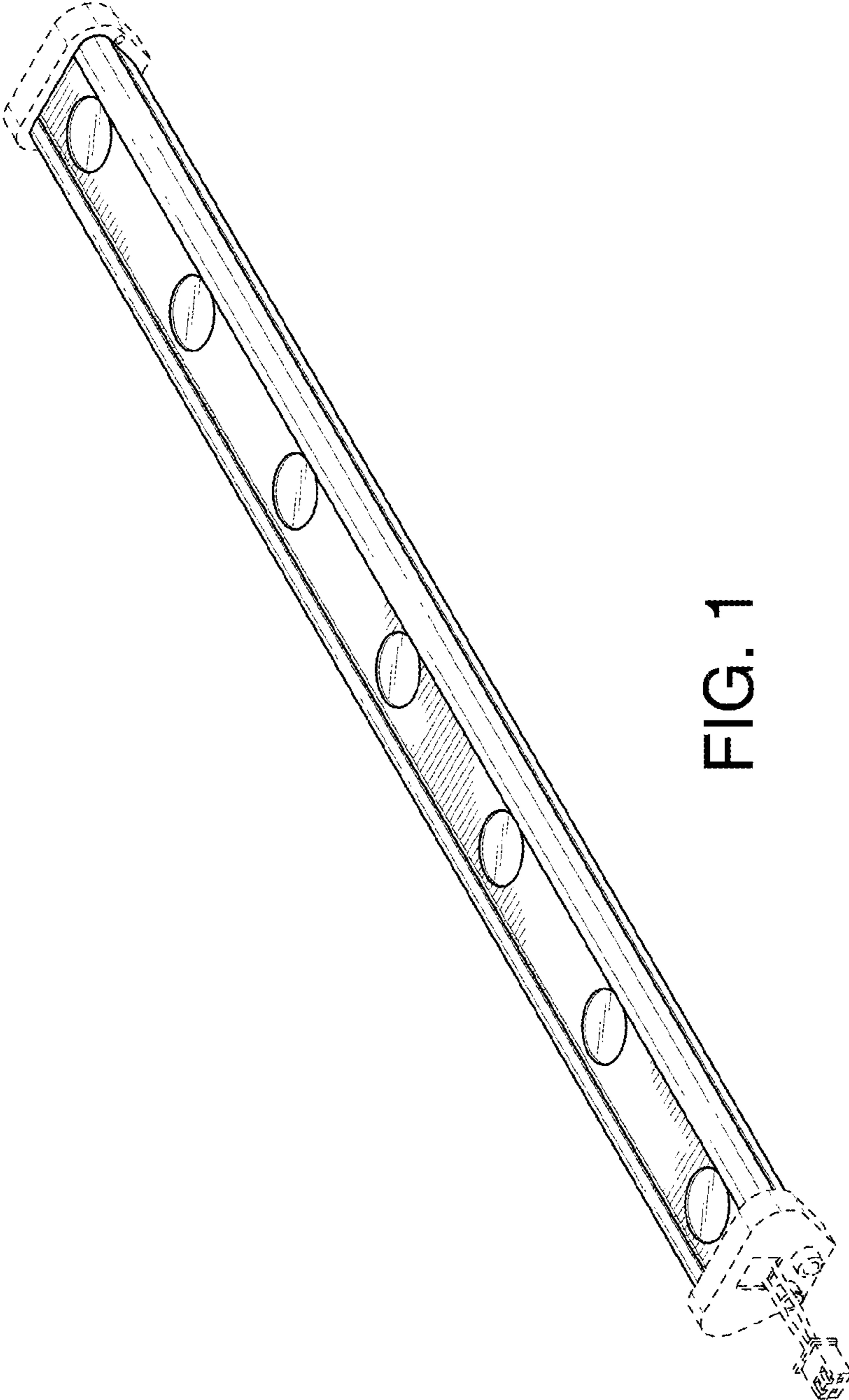


FIG. 1

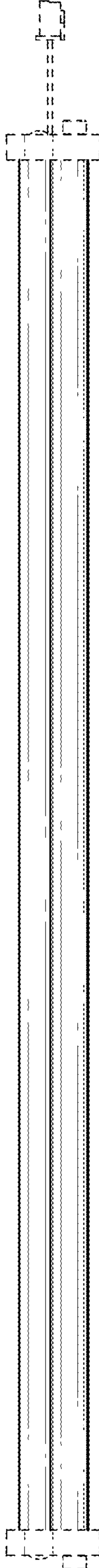


FIG. 2

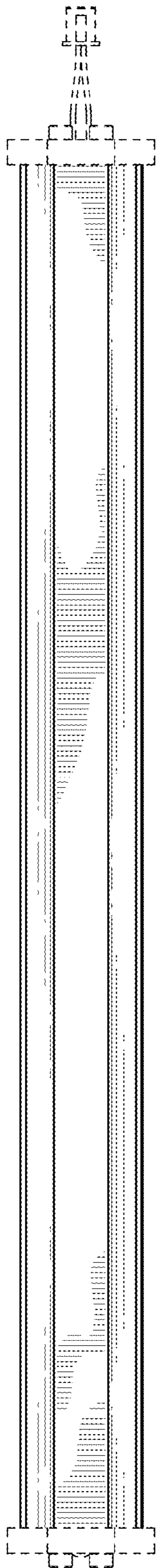


FIG. 3

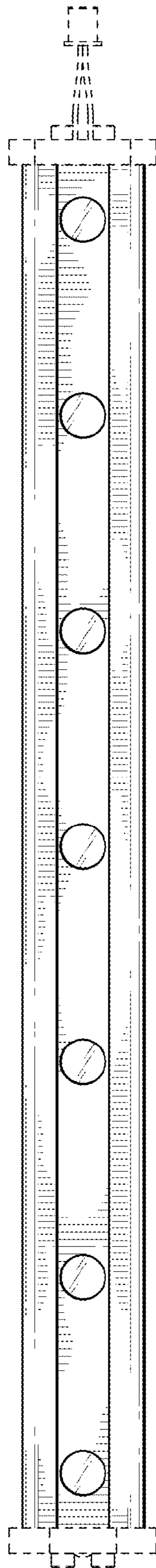


FIG. 4