



US00D901059S

(12) **United States Design Patent**  
**Su et al.**

(10) **Patent No.:** **US D901,059 S**  
(45) **Date of Patent:** **\*\* Nov. 3, 2020**

(54) **CEILING FLAT PANEL LIGHT**

(71) Applicant: **XIAMEN GUANGPU ELECTRONICS CO., LTD.**, Xiamen (CN)

(72) Inventors: **Haidin Su**, Xiamen (CN); **Guohua Lan**, Xiamen (CN); **Zhifu Xie**, Xiamen (CN)

(\*\*) Term: **15 Years**

(21) Appl. No.: **29/718,807**

(22) Filed: **Dec. 29, 2019**

**Related U.S. Application Data**

(63) Continuation of application No. 29/621,442, filed on Oct. 8, 2017, now abandoned.

(51) **LOC (12) Cl.** ..... **26-03**

(52) **U.S. Cl.**  
USPC ..... **D26/72**

(58) **Field of Classification Search**  
USPC ..... D26/72, 76, 80–82, 85–86, 88  
CPC .... F21S 8/04; F21S 8/043; F21S 8/046; F21S 8/06; F21S 8/061; F21S 8/063; F21S 8/065; F21V 7/05; F21V 7/048; F21V 5/005; F21V 5/045

See application file for complete search history.

(56) **References Cited**

**U.S. PATENT DOCUMENTS**

D496,746 S \* 9/2004 Herst ..... D26/76  
D695,439 S \* 12/2013 Kim ..... D26/72  
D880,755 S \* 4/2020 Zhao ..... D26/88

\* cited by examiner

*Primary Examiner* — Brian N. Vinson

(74) *Attorney, Agent, or Firm* — W&K IP

(57) **CLAIM**

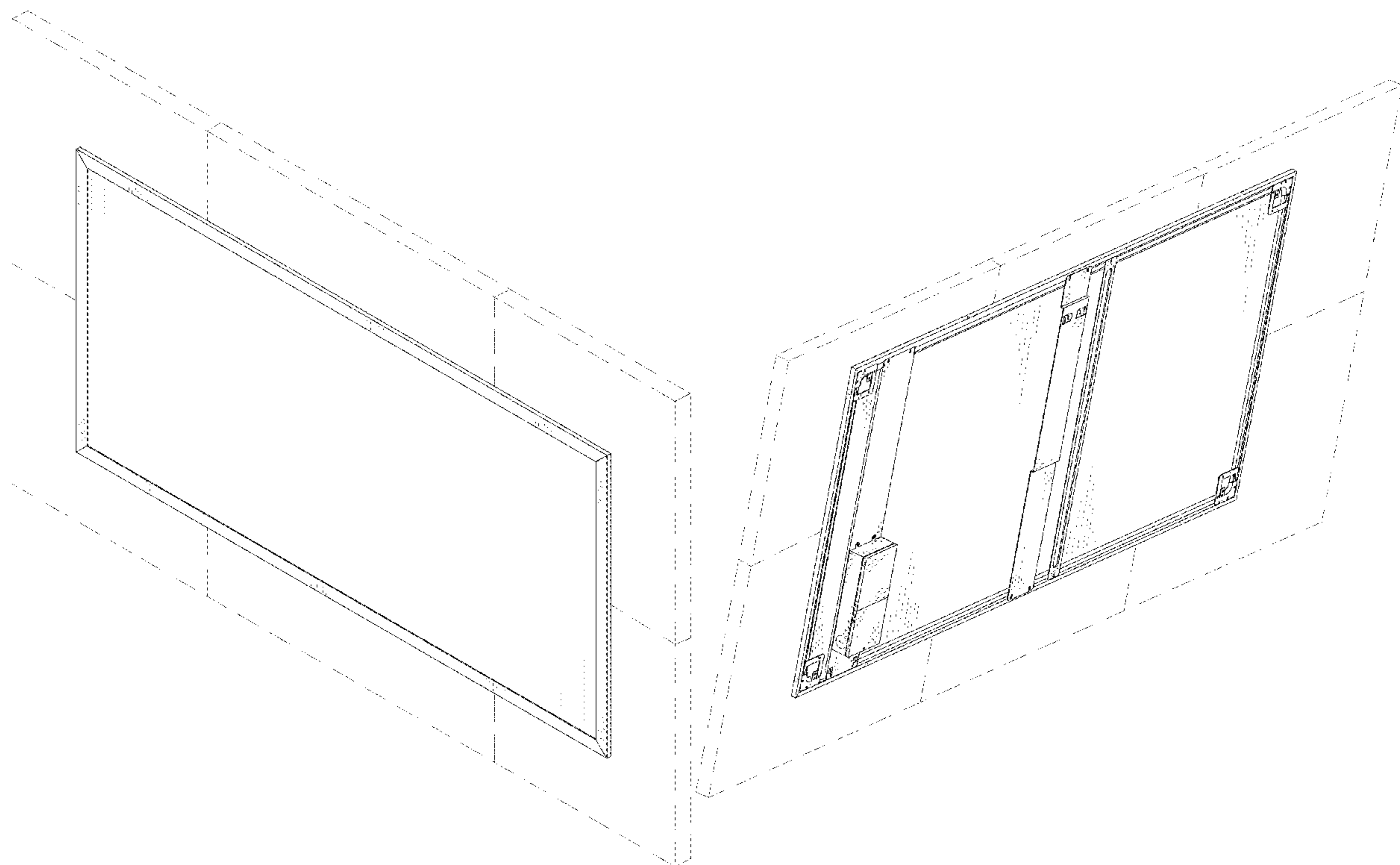
The ornamental design for a ceiling flat panel light, as shown and described.

**DESCRIPTION**

FIG. 1 is a perspective view of a ceiling flat panel light; FIG. 2 is another perspective view thereof; FIG. 3 is a front view thereof; FIG. 4 is a back view thereof; FIG. 5 is a left side view thereof; FIG. 6 is a right side view thereof; FIG. 7 is a top plan view thereof; and, FIG. 8 is a bottom plan view thereof.

The dashed or broken lines illustrate portions of the drawings that form no part of the claimed design.

**1 Claim, 8 Drawing Sheets**



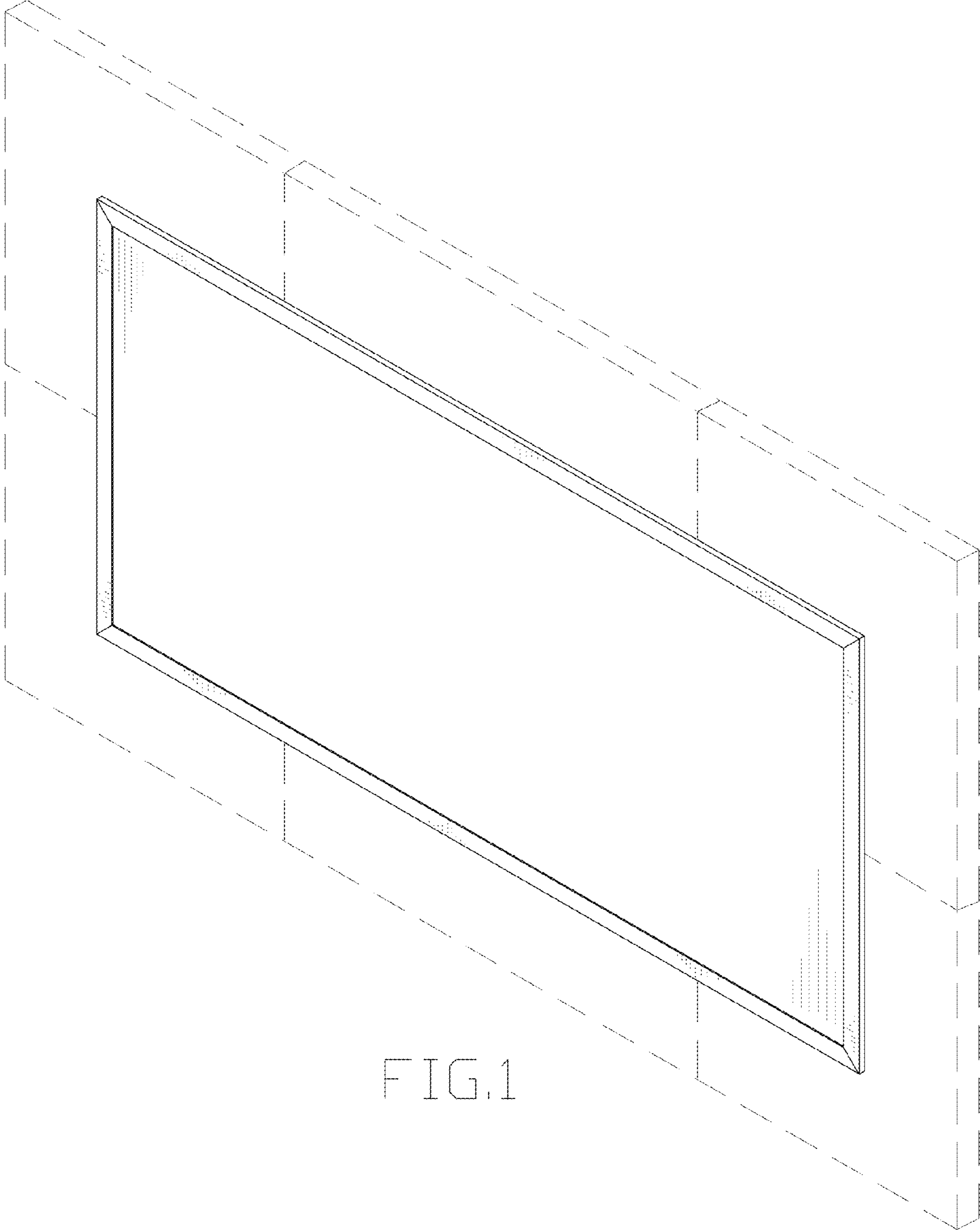
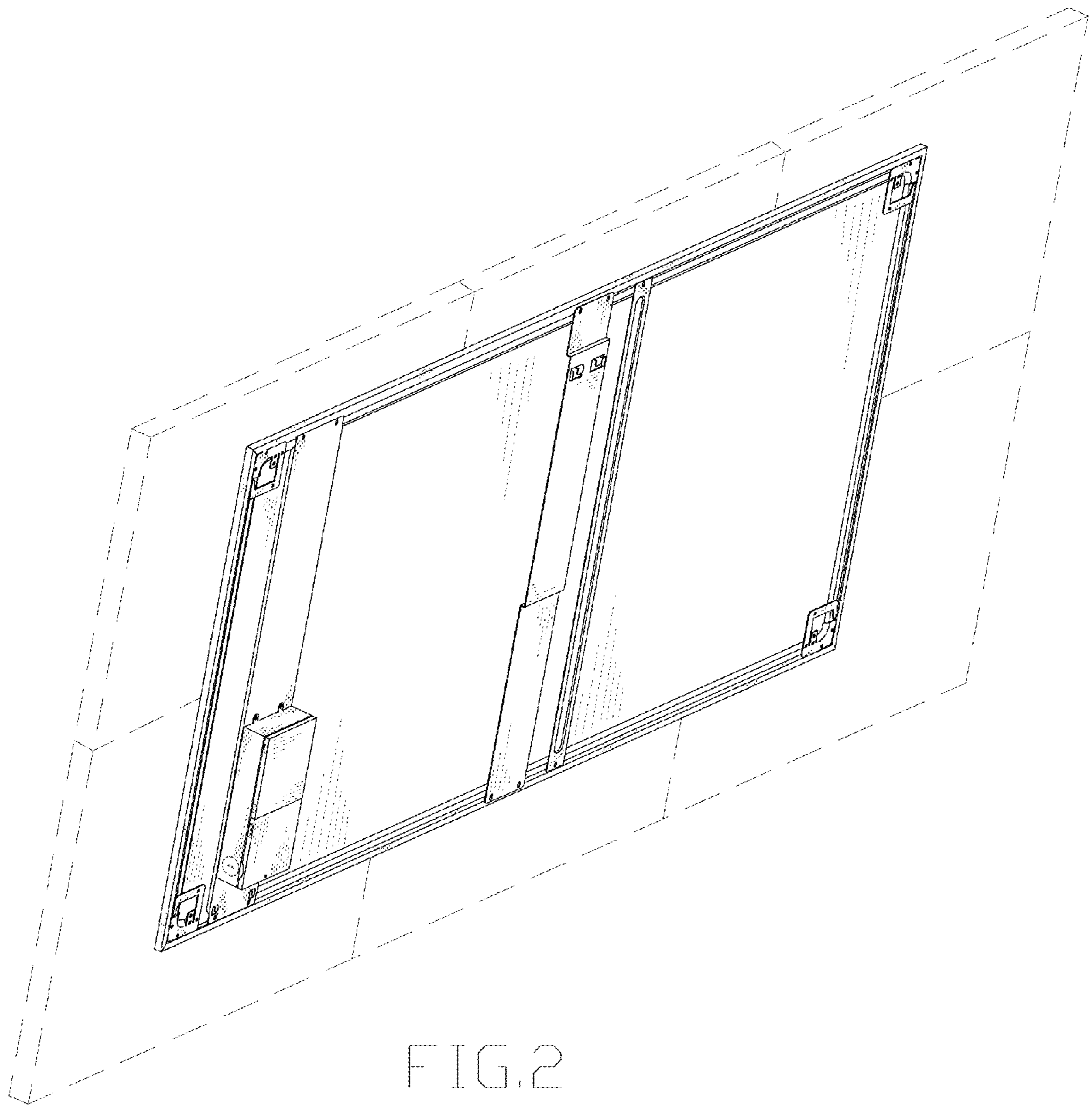


FIG.1



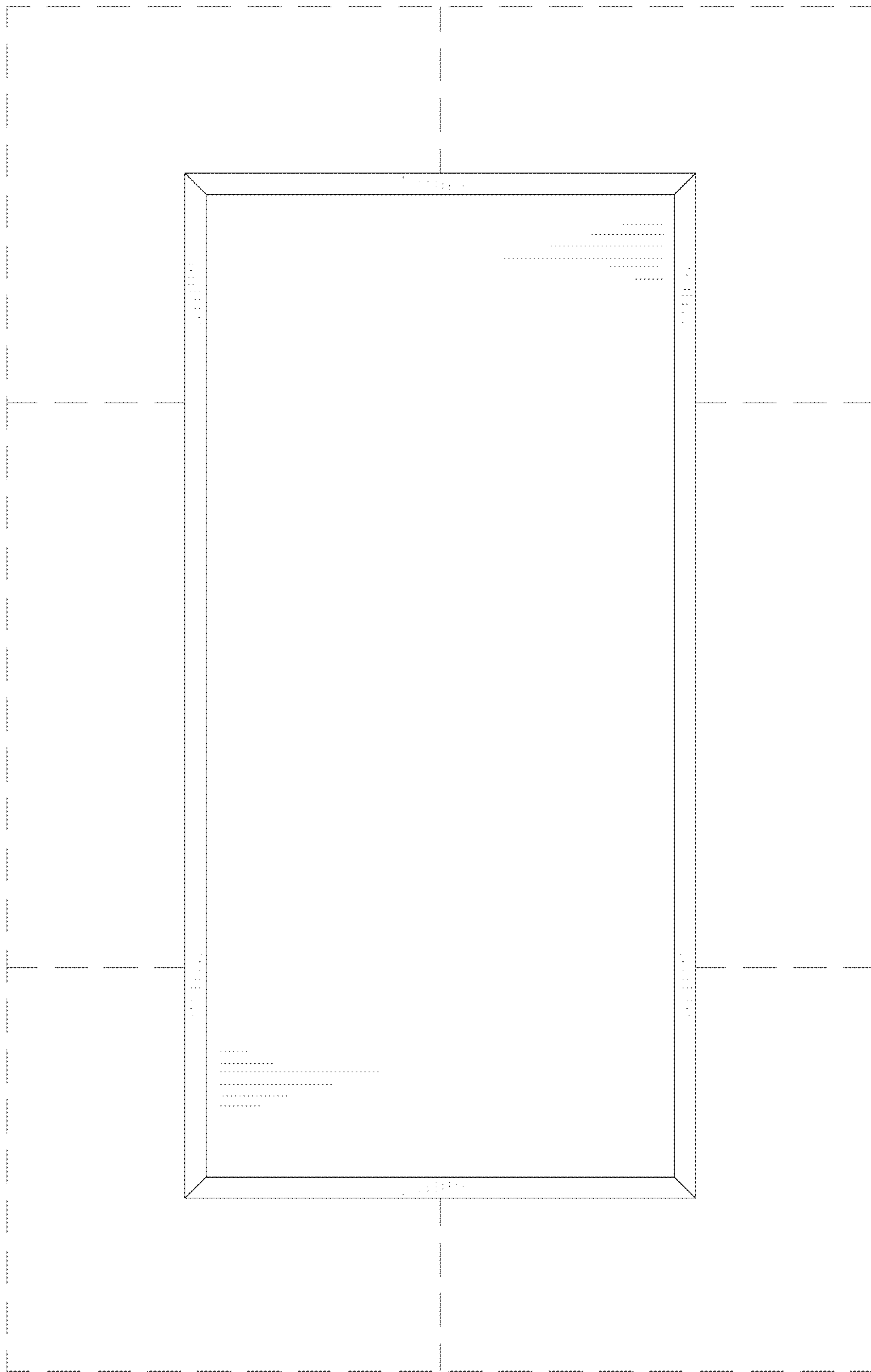


FIG. 3

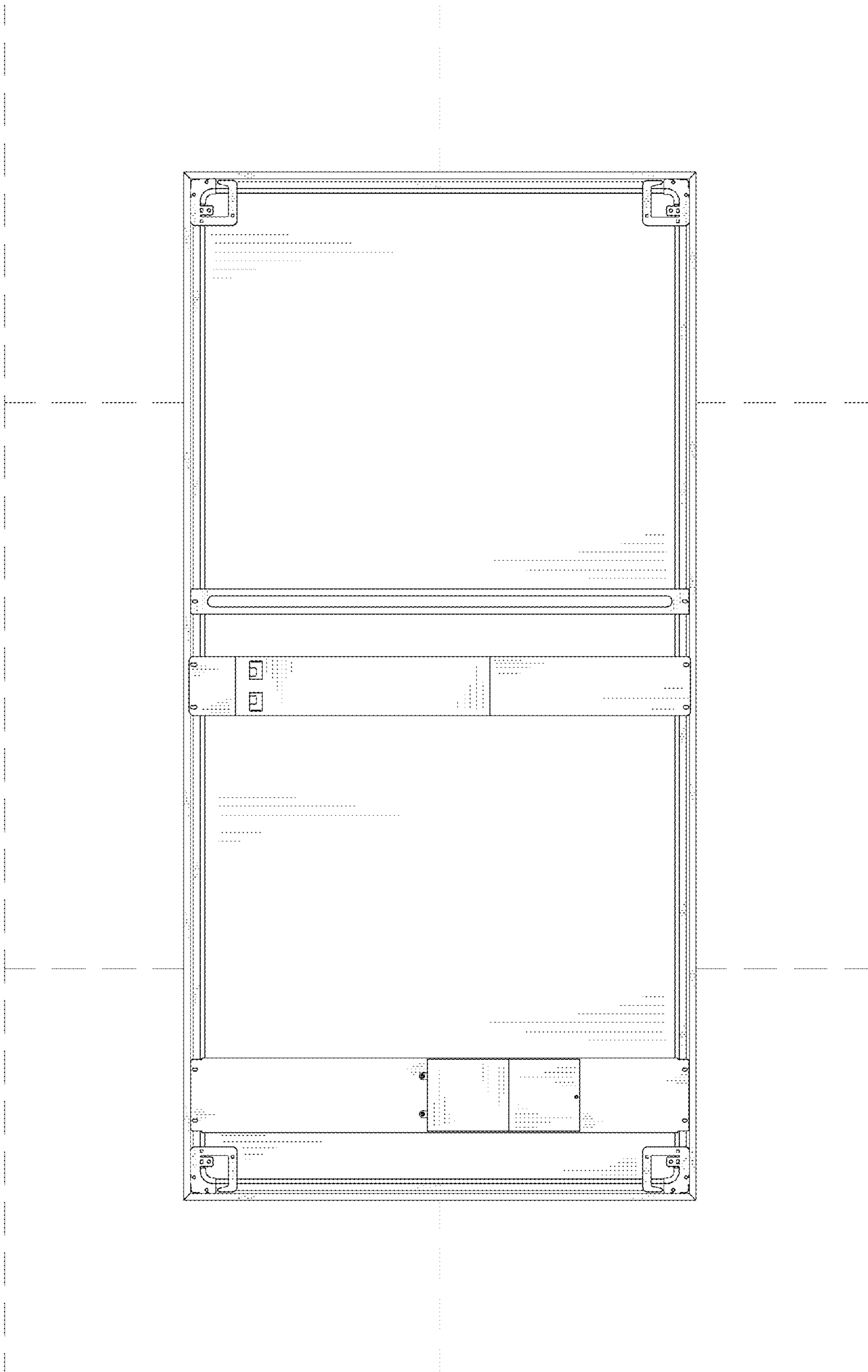


FIG. 4



FIG. 5

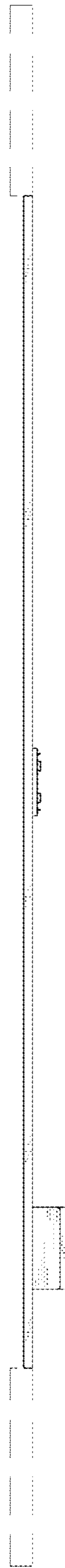


FIG. 6

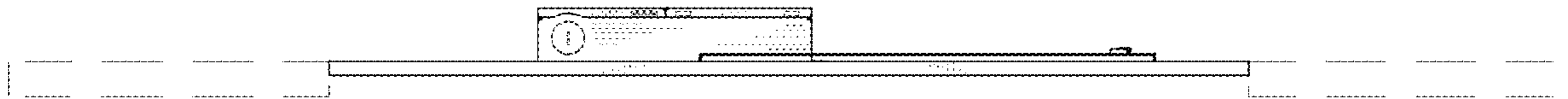


FIG. 7



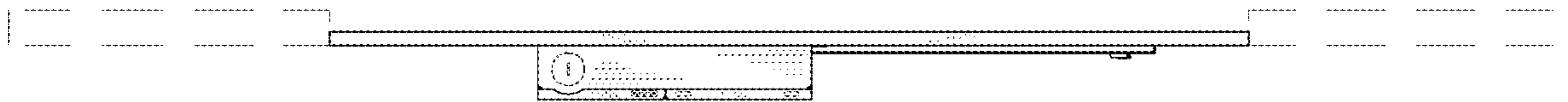


FIG. 8