



US00D901057S

(12) **United States Design Patent**
Chen

(10) **Patent No.:** **US D901,057 S**

(45) **Date of Patent:** **** Nov. 3, 2020**

(54) **PETAL LIGHT**

(71) Applicant: **HaiWen Chen**, Guangdong (CN)

(72) Inventor: **HaiWen Chen**, Guangdong (CN)

(**) Term: **15 Years**

(21) Appl. No.: **29/696,707**

(22) Filed: **Jun. 30, 2019**

(51) **LOC (12) Cl.** **26-05**

(52) **U.S. Cl.**
USPC **D26/67**

(58) **Field of Classification Search**
USPC D10/111-115; D13/101, 102, 118;
D20/17; D26/10, 11, 12, 24, 31, 41, 46,
D26/51, 57, 60, 61, 63-72, 92, 93, 94
CPC .. F21S 8/003; F21S 8/006; F21S 8/081; F21S
8/083; F21S 9/03; F21S 9/032; F21S
9/035; F21S 9/037; F21S 10/005; G09F
2013/0495; G09F 2013/0404; G09F
2013/02; F21W 2131/023; F21W
2131/109

See application file for complete search history.

(56) **References Cited**

U.S. PATENT DOCUMENTS

D539,957 S * 4/2007 Luo D26/128
D557,851 S * 12/2007 Chen D26/67
D627,920 S * 11/2010 Hanna D26/134
D678,576 S * 3/2013 Chen D26/67

8,901,827 B1 * 12/2014 Xu H05B 45/00
315/153
D757,980 S * 5/2016 Sooferian D26/68
D777,363 S * 1/2017 Galipeau D26/68
D821,015 S * 6/2018 Peng D26/68
D827,900 S * 9/2018 Zhang D26/68
D830,295 S * 10/2018 Sooferian D13/102
D841,213 S * 2/2019 Zhuo D26/68
D844,878 S * 4/2019 Zhang D26/68
D880,746 S * 4/2020 Zhang D26/67

* cited by examiner

Primary Examiner — Kevin K Rudzinski
Assistant Examiner — Richard Kearney

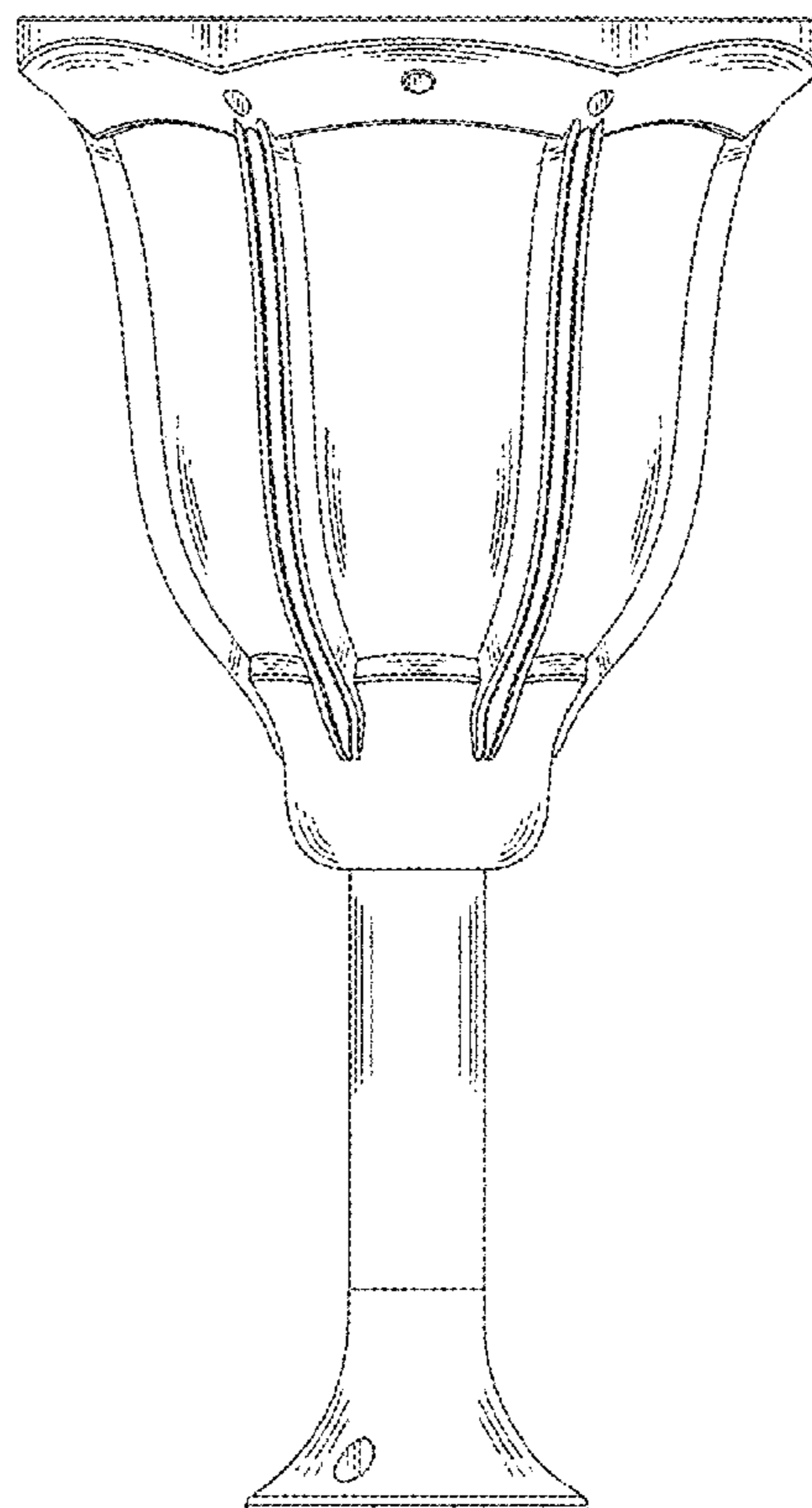
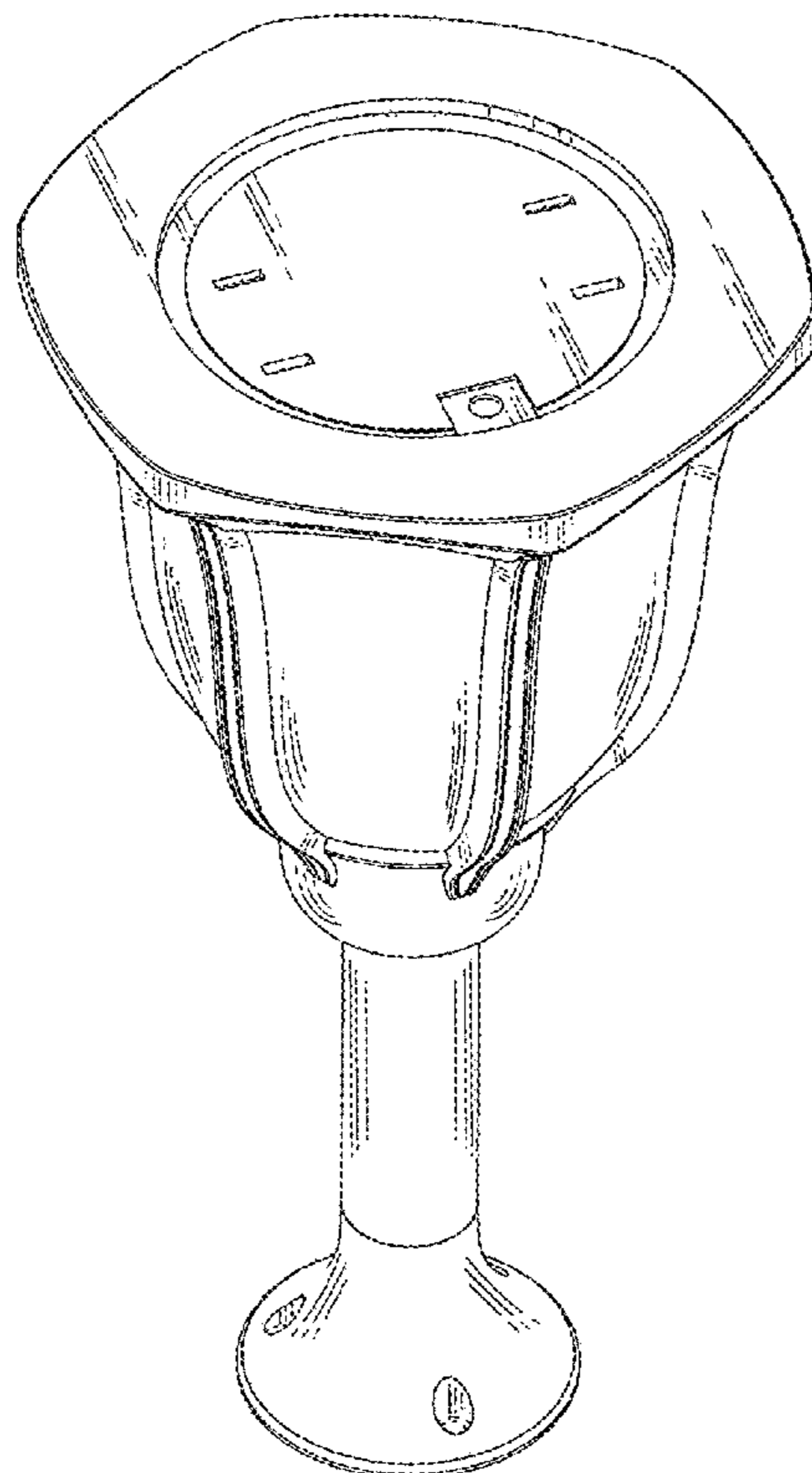
(57) **CLAIM**

The ornamental design for a petal light, as shown and described.

DESCRIPTION

FIG. 1 is a perspective view of a petal light showing my new design;
FIG. 2 is a front elevational view thereof;
FIG. 3 is a rear elevational view thereof;
FIG. 4 is a left side elevational view thereof;
FIG. 5 is a right side elevational view thereof;
FIG. 6 is a top plan view thereof;
FIG. 7 is a bottom plan view thereof; and,
FIG. 8 is a rear, bottom perspective view thereof.
The broken lines shown in drawings are for the purpose of illustrating portions of the petal light and that form no part of the claimed design.

1 Claim, 8 Drawing Sheets



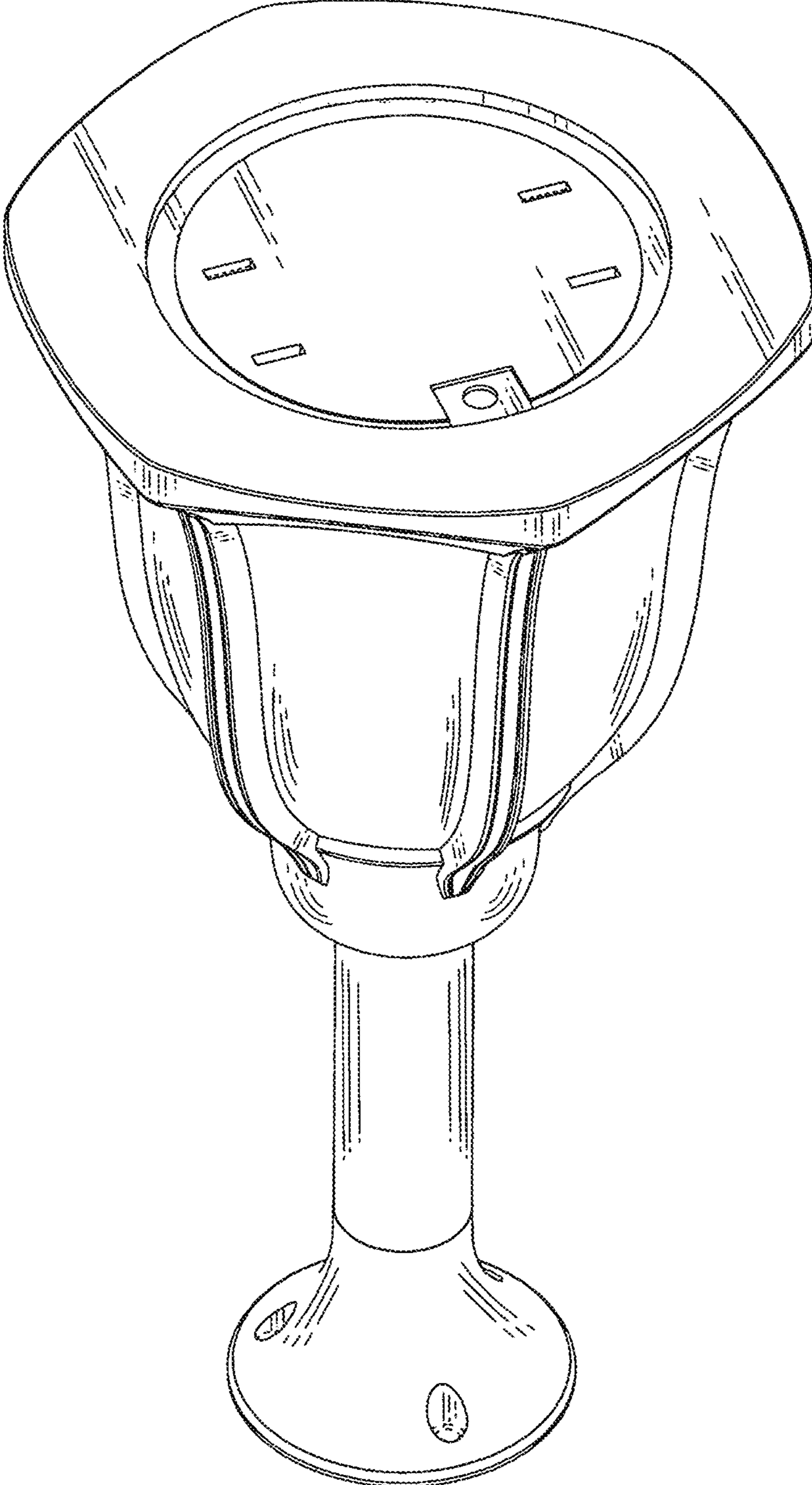


FIG. 1

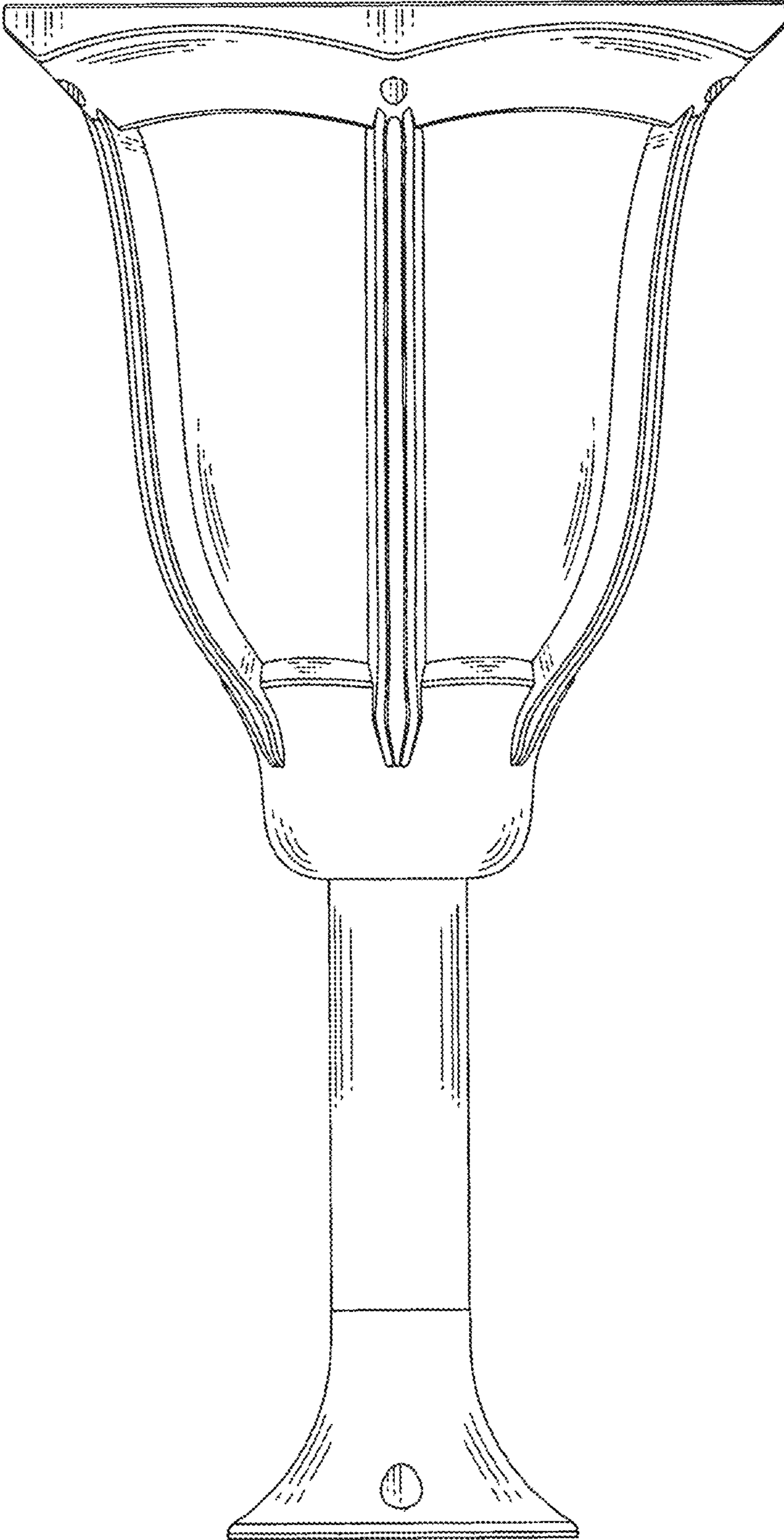


FIG. 2

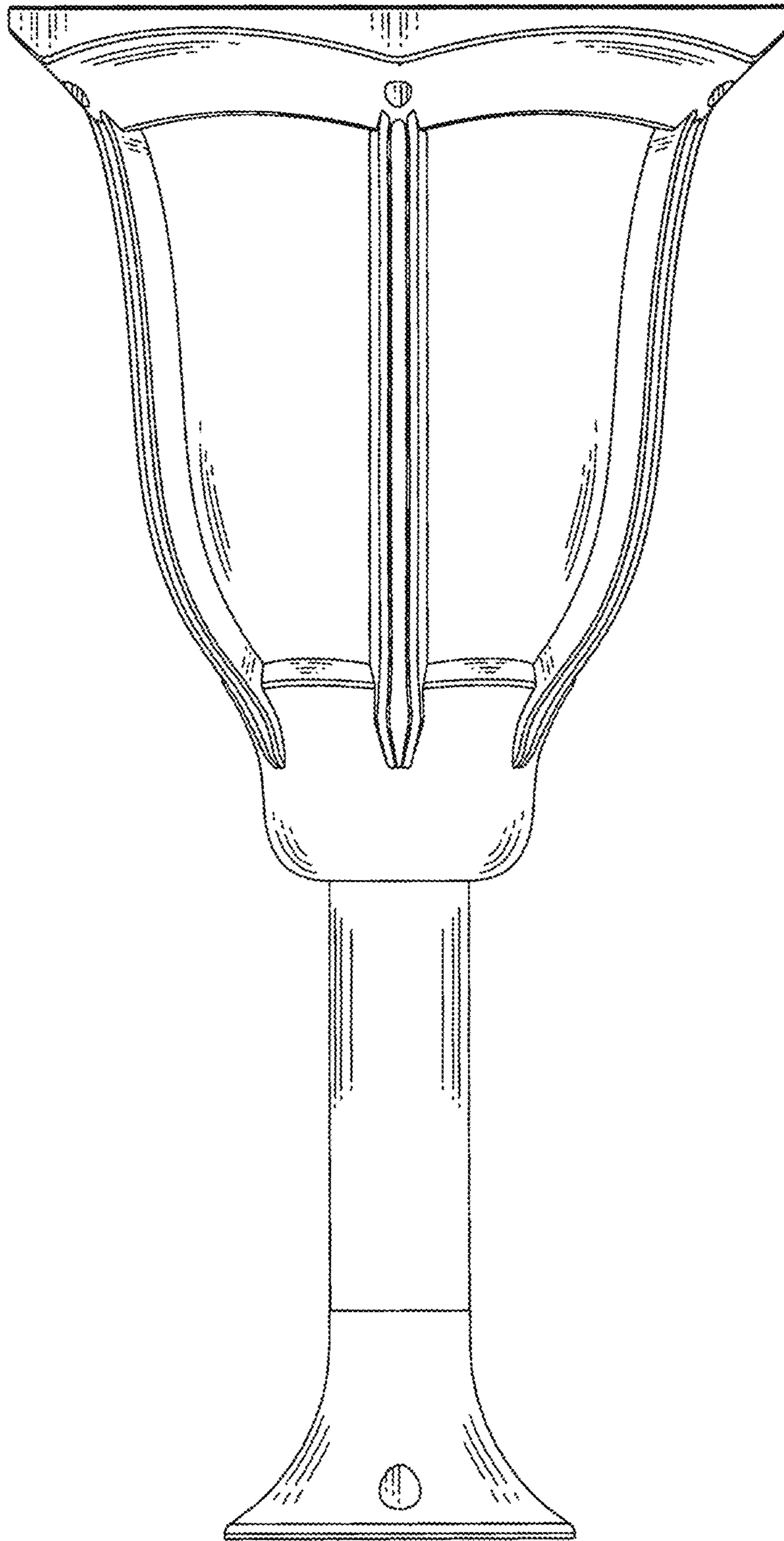


FIG. 3

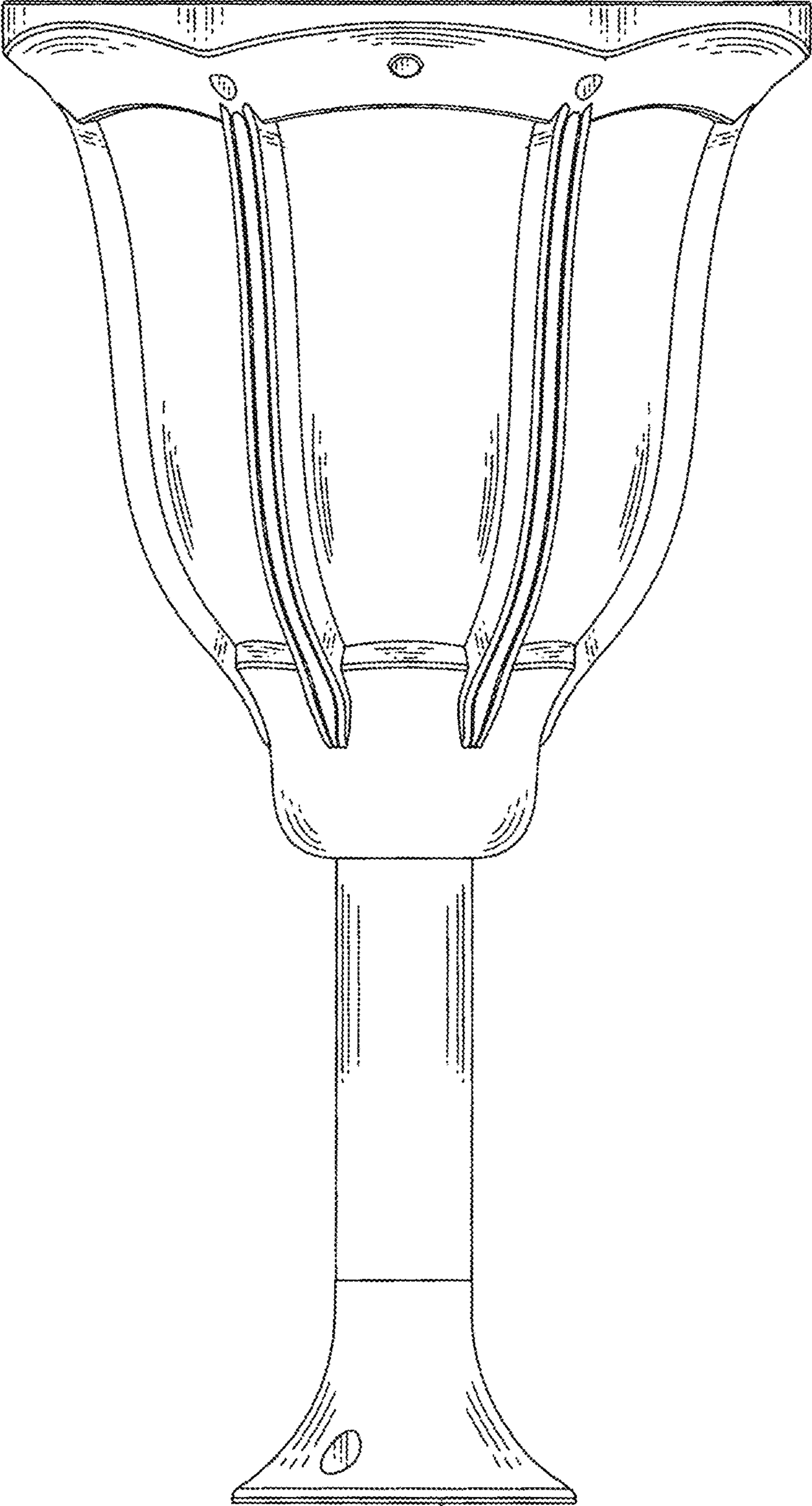


FIG. 4

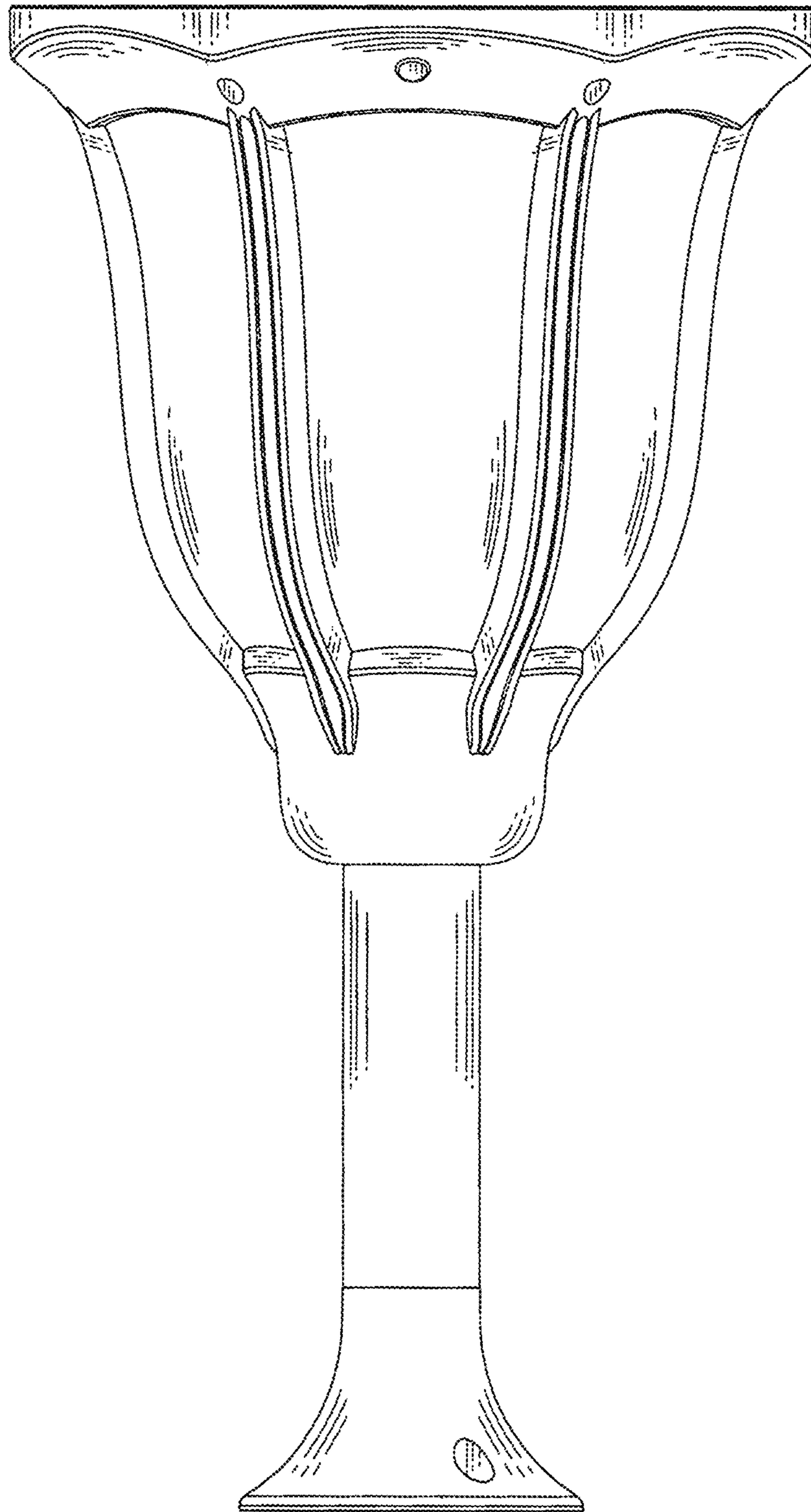


FIG. 5

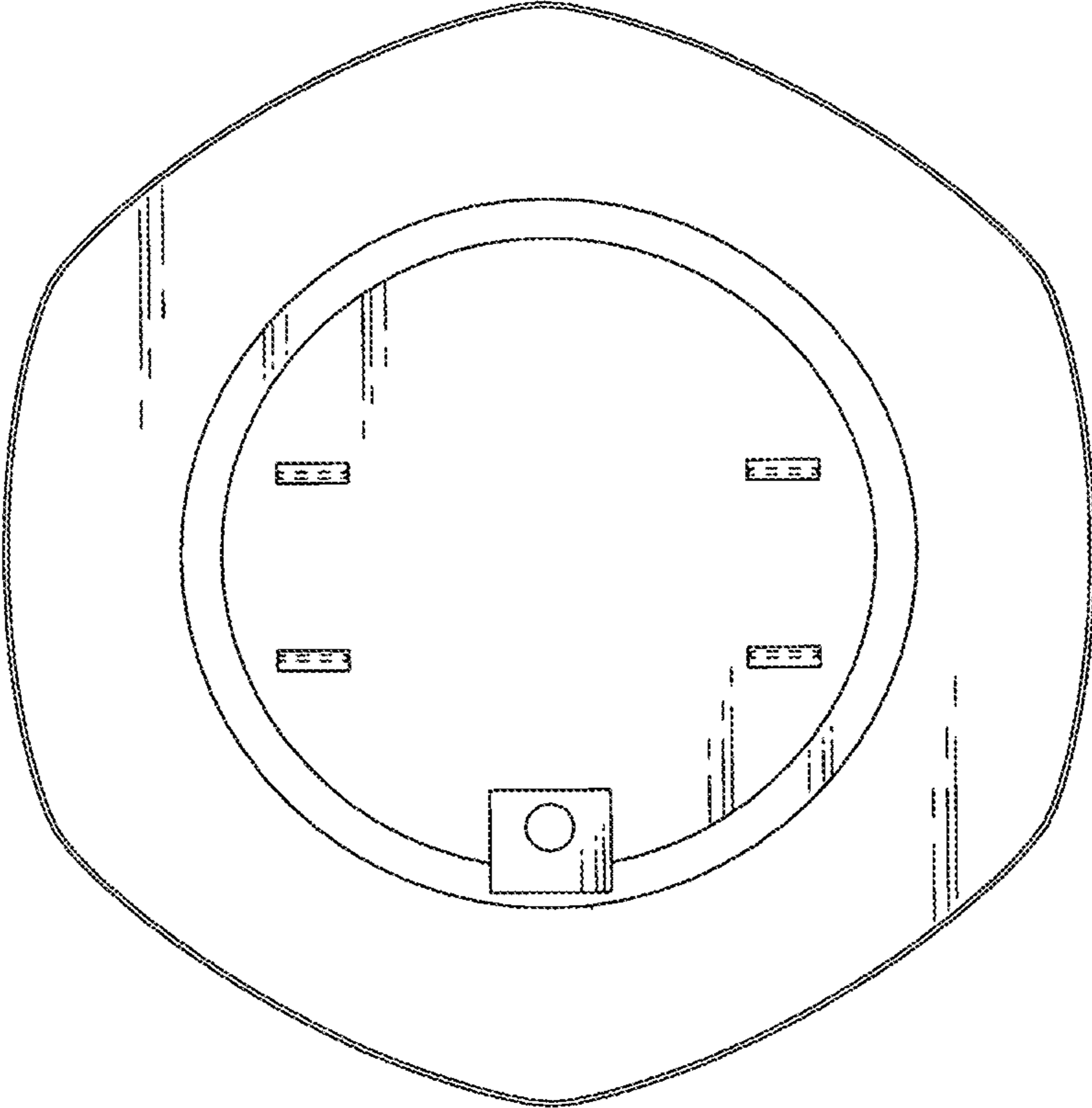


FIG. 6

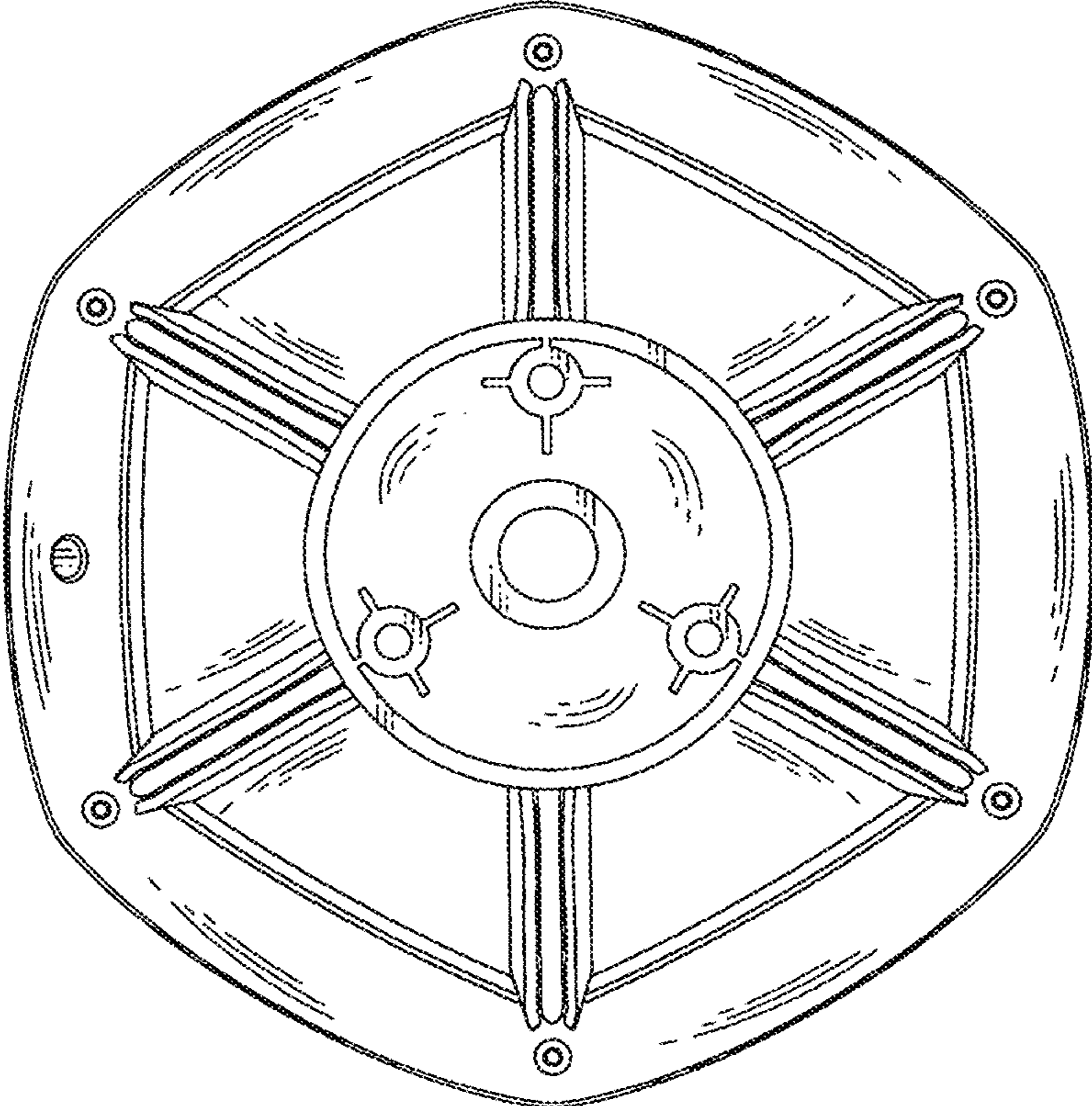


FIG. 7

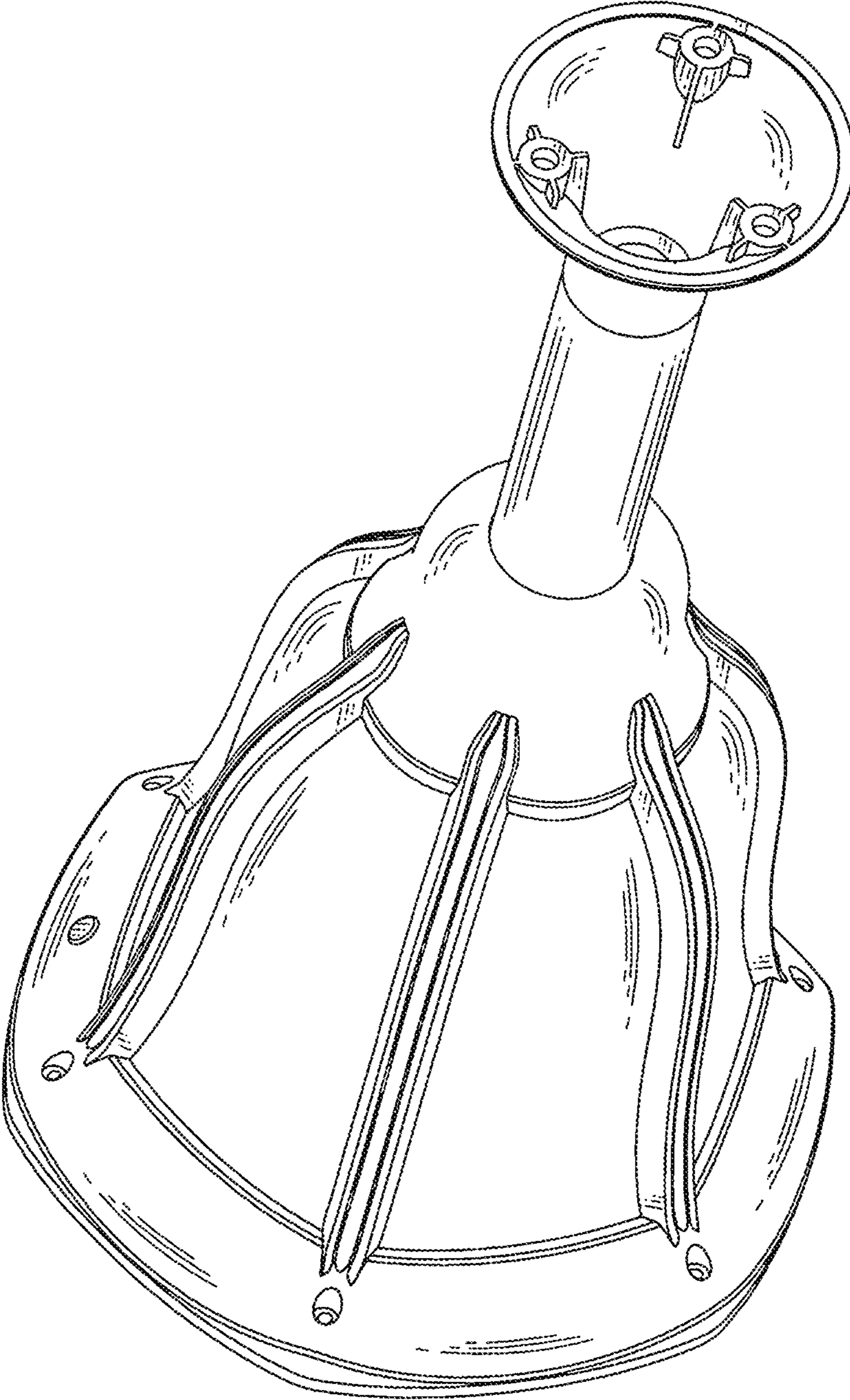


FIG. 8