



US00D901056S

(12) **United States Design Patent** (10) **Patent No.:** **US D901,056 S**
Chang (45) **Date of Patent:** **** Nov. 3, 2020**

(54) **LED LAMP**

D800,937 S * 10/2017 Li D26/63
D868,328 S * 11/2019 Chang D26/63
D873,463 S * 1/2020 Wang D26/65
D876,699 S * 2/2020 Tang D26/65

(71) Applicant: **Herman Chang**, Rancho Dominguez,
CA (US)

(72) Inventor: **Herman Chang**, Rancho Dominguez,
CA (US)

(**) Term: **15 Years**

(21) Appl. No.: **29/680,990**

(22) Filed: **Feb. 21, 2019**

(51) **LOC (12) Cl.** **26-03**

(52) **U.S. Cl.**
USPC **D26/65**

(58) **Field of Classification Search**
USPC D26/1, 24, 61, 63, 65, 85, 92
CPC F21V 21/14; F21V 15/01; F21V 14/02;
F21V 21/30; F21V 21/00; F21V 14/00;
F21S 8/00; F21S 8/003; F21S 8/043;
F21S 6/003; F21Y 2105/001
See application file for complete search history.

(56) **References Cited**

U.S. PATENT DOCUMENTS

7,396,140 B2 * 7/2008 Cai F21S 6/003
362/167
D665,938 S * 8/2012 Kim D26/63

* cited by examiner

Primary Examiner — Brian N. Vinson

(74) *Attorney, Agent, or Firm* — Stefan J. Kirchanski;
Matthew J. Spark; Zuber Lawler & Del Duca LLP

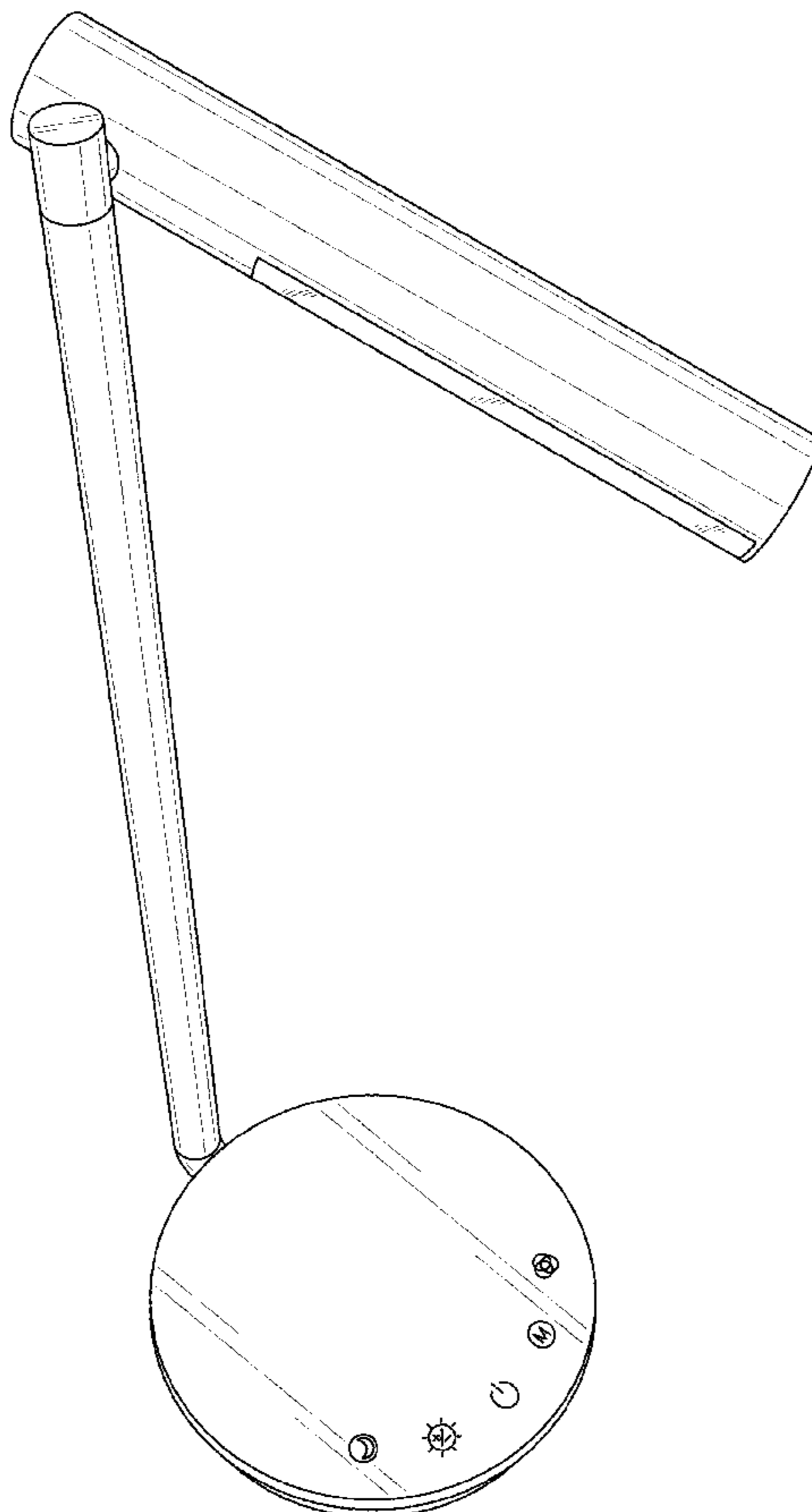
(57) **CLAIM**

The ornamental design for an LED lamp, as shown and described.

DESCRIPTION

FIG. 1 is a top perspective view of an LED lamp showing my new design;
FIG. 2 is a front view thereof;
FIG. 3 is a back view thereof;
FIG. 4 is a right side view thereof;
FIG. 5 is a left side view thereof;
FIG. 6 is a top view thereof; and,
FIG. 7 is a bottom view thereof.

1 Claim, 7 Drawing Sheets



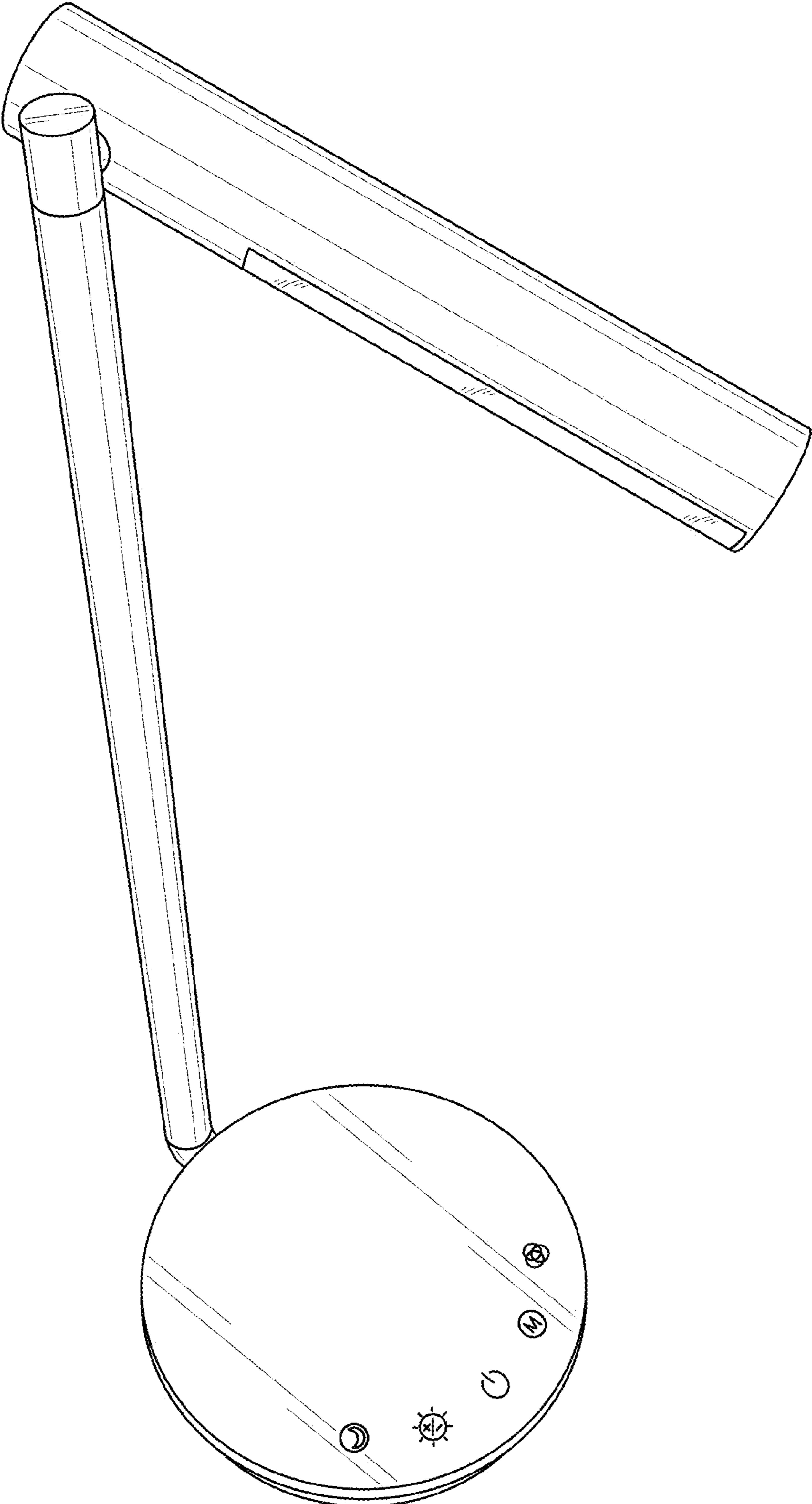


FIG. 1

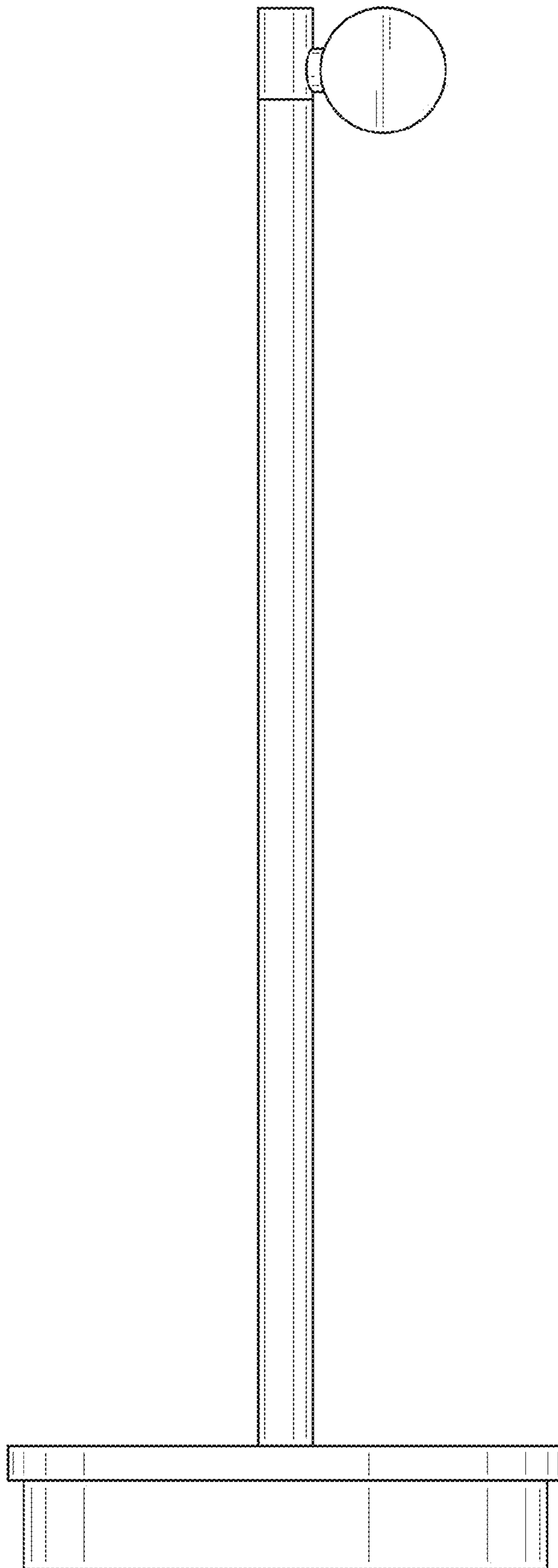


FIG. 2

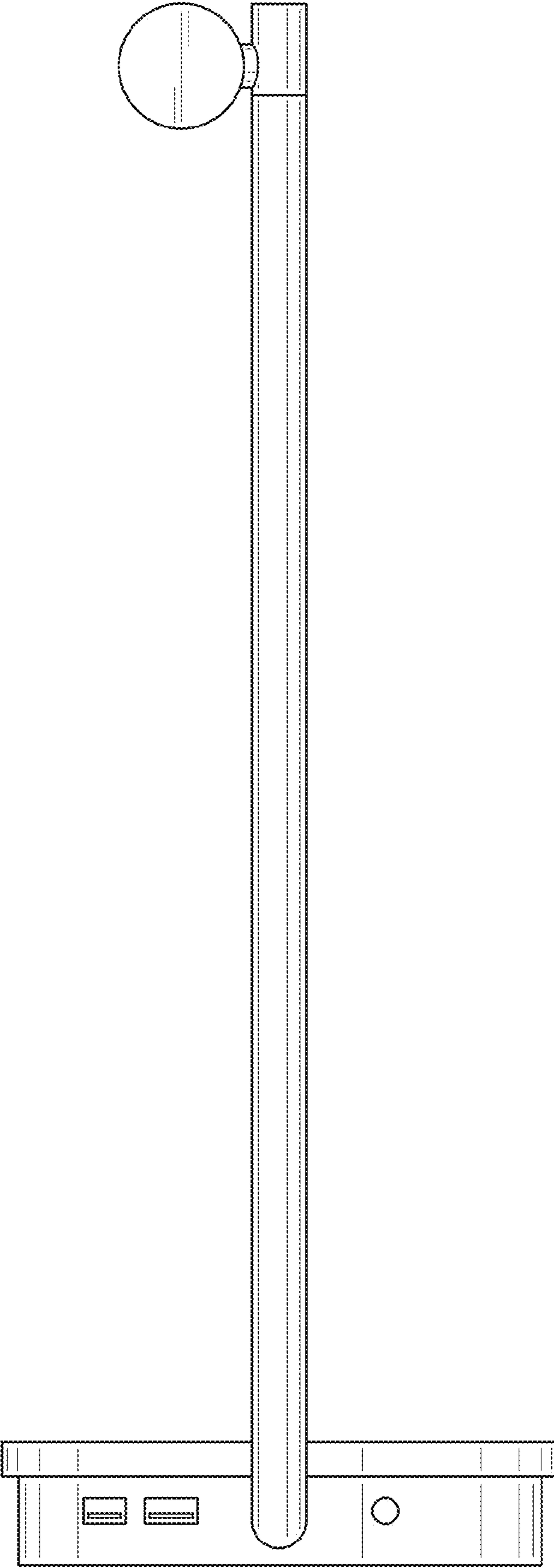


FIG. 3

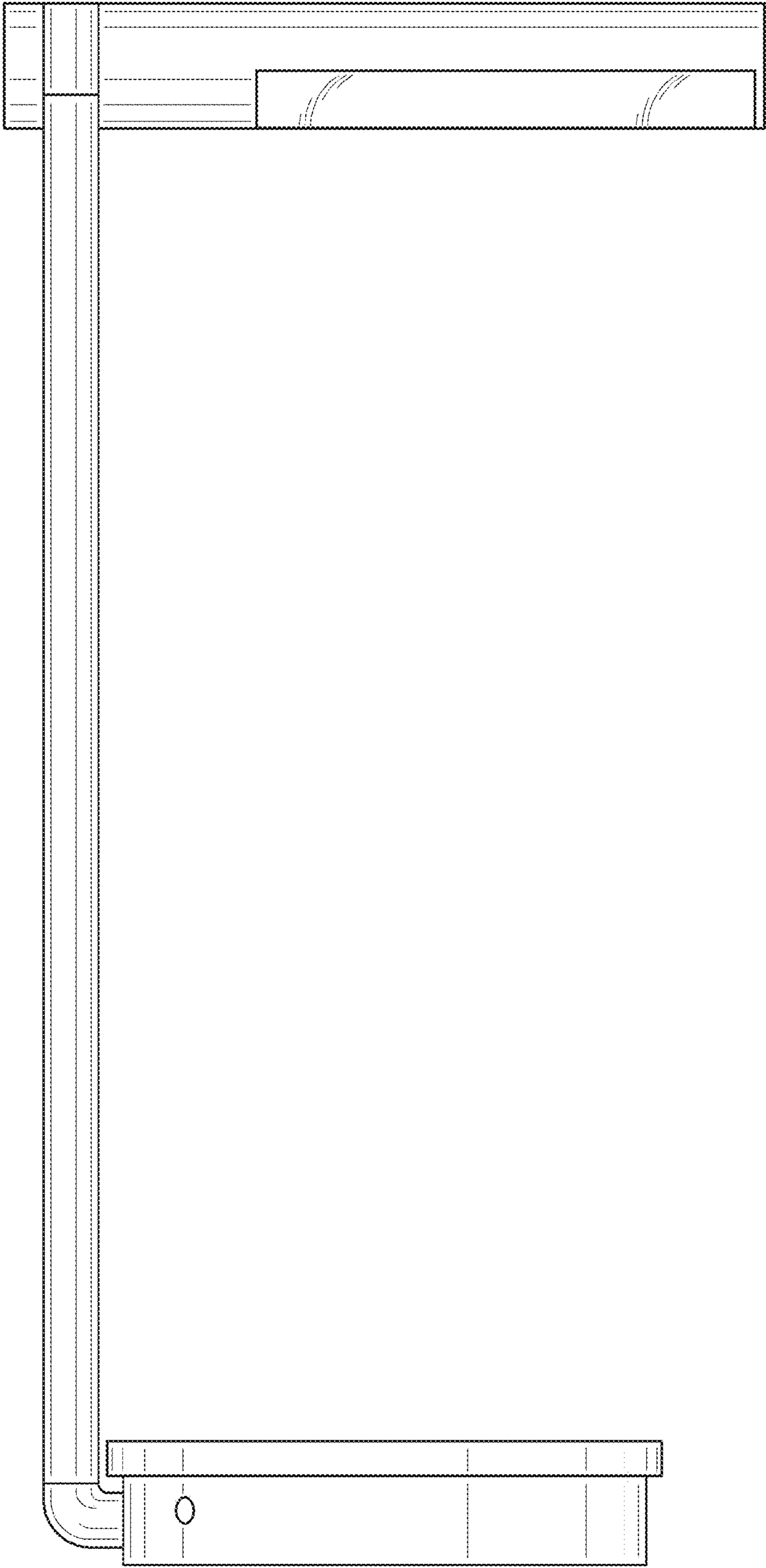


FIG. 4

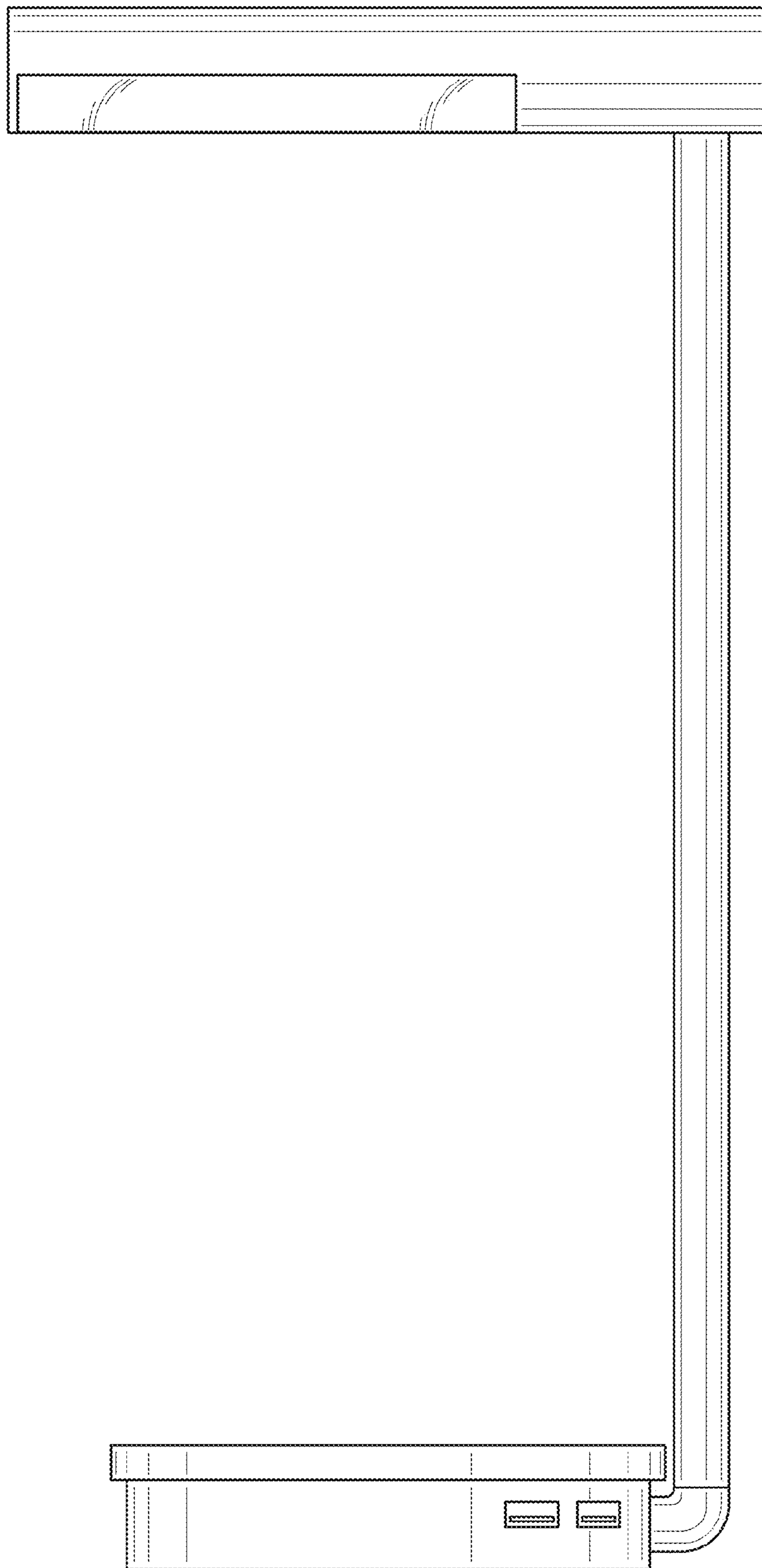


FIG. 5

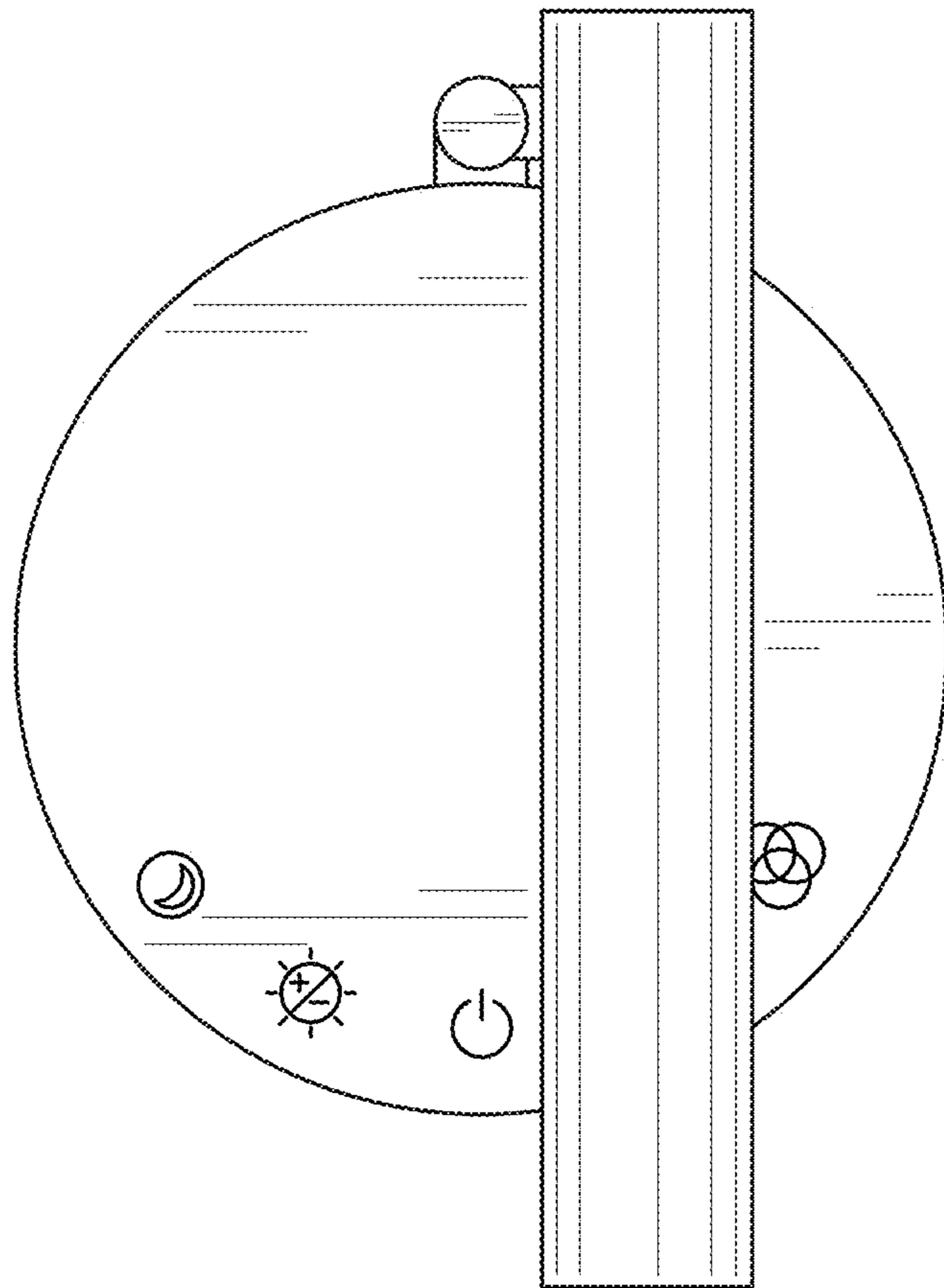


FIG. 6

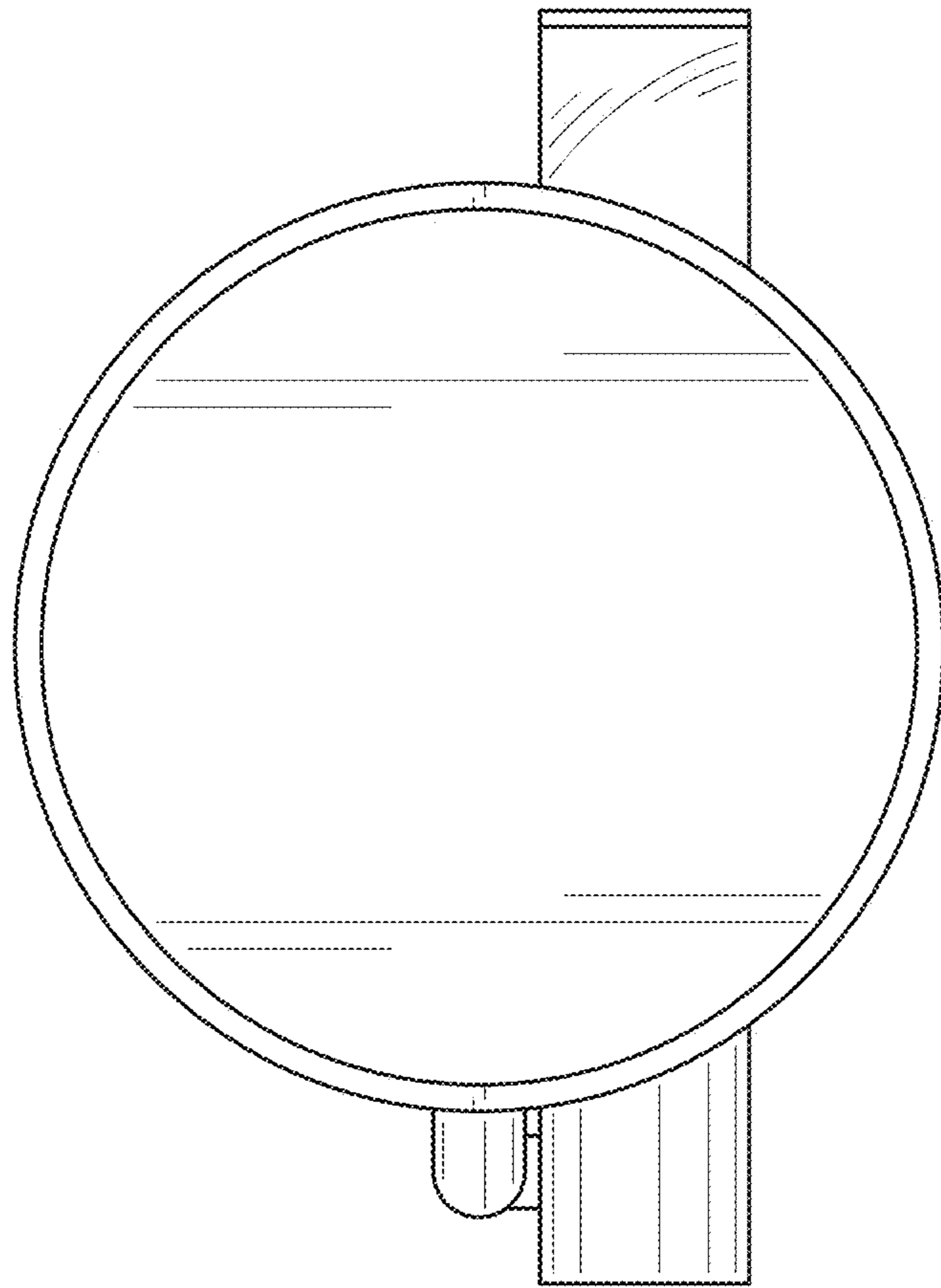


FIG. 7