



US00D901055S

(12) **United States Design Patent** (10) **Patent No.:** **US D901,055 S**
Zeng (45) **Date of Patent:** **** Nov. 3, 2020**

(54) **SOLAR LIGHT**

(71) Applicant: **Hongbin Zeng**, Ji'an (CN)

(72) Inventor: **Hongbin Zeng**, Ji'an (CN)

(73) Assignee: **SHENZHEN HOOREE ELECTRONIC TECHNOLOGY CO., LTD.**, Shenzhen (CN)

(**) Term: **15 Years**

(21) Appl. No.: **29/690,717**

(22) Filed: **May 10, 2019**

(51) **LOC (12) Cl.** **26-03**

(52) **U.S. Cl.**
USPC **D26/63**

(58) **Field of Classification Search**
USPC D26/1, 24, 61, 63, 65, 85, 92
CPC F21V 21/14; F21V 15/01; F21V 14/02;
F21V 21/30; F21V 21/00; F21V 14/00;
F21S 8/00; F21S 8/003; F21S 8/043;
F21Y 2105/001

See application file for complete search history.

(56) **References Cited**

U.S. PATENT DOCUMENTS

D699,877 S *	2/2014	Song	D26/63
D747,526 S *	1/2016	Zhang	D26/63
D854,720 S *	7/2019	Deng	D26/63
D877,951 S *	3/2020	Huang	D26/63

* cited by examiner

Primary Examiner — Brian N. Vinson

(74) *Attorney, Agent, or Firm* — Justin Lampel

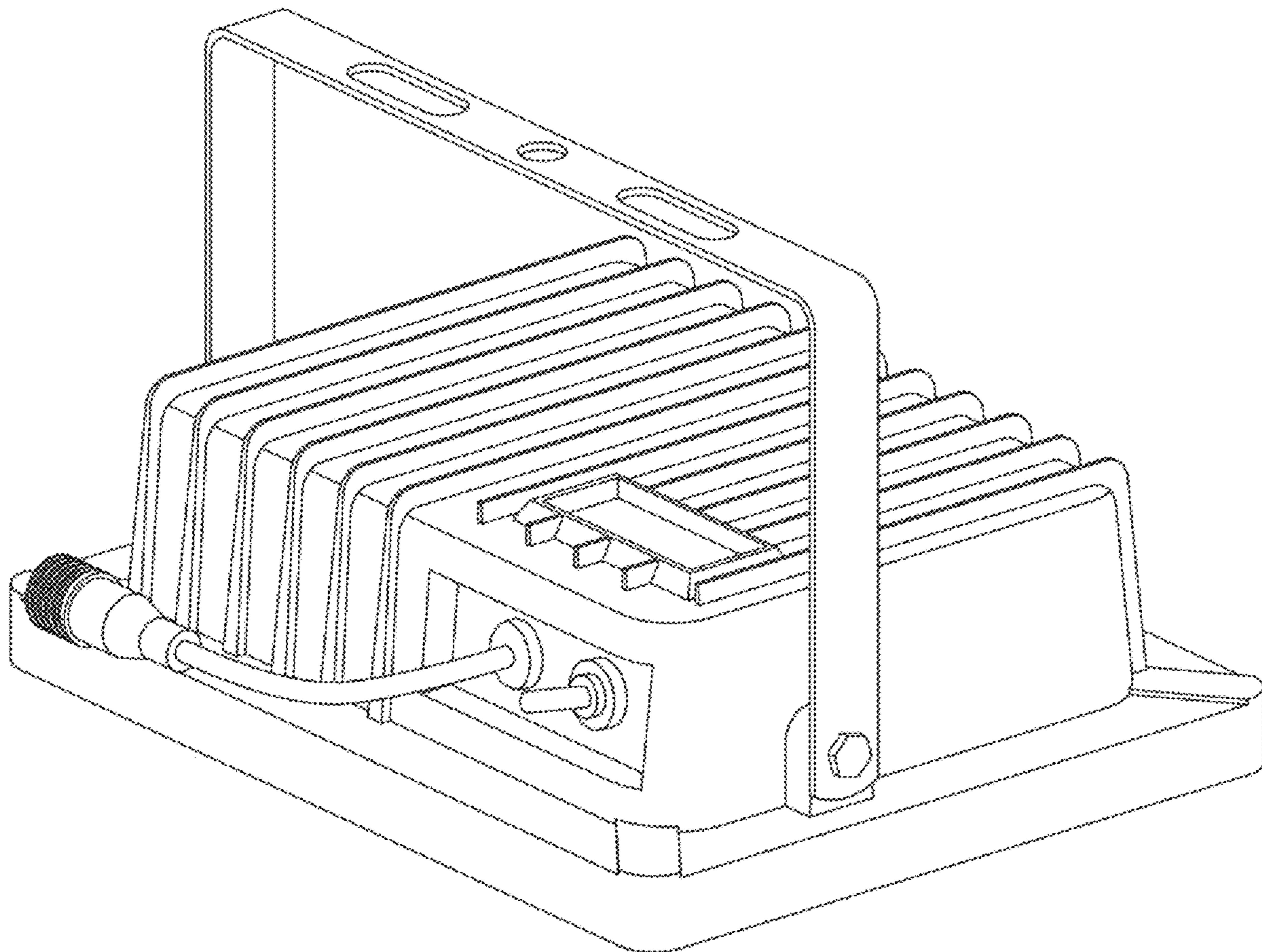
(57) **CLAIM**

The ornamental design for the solar light, as shown and described.

DESCRIPTION

FIG. 1 is a perspective view of the solar light showing my new design;
FIG. 2 is a top plan view thereof;
FIG. 3 is a rear elevational view thereof;
FIG. 4 is a bottom plan view thereof;
FIG. 5 is a right side view thereof;
FIG. 6 is a front elevational view thereof; and,
FIG. 7 is a left side view thereof.

1 Claim, 7 Drawing Sheets



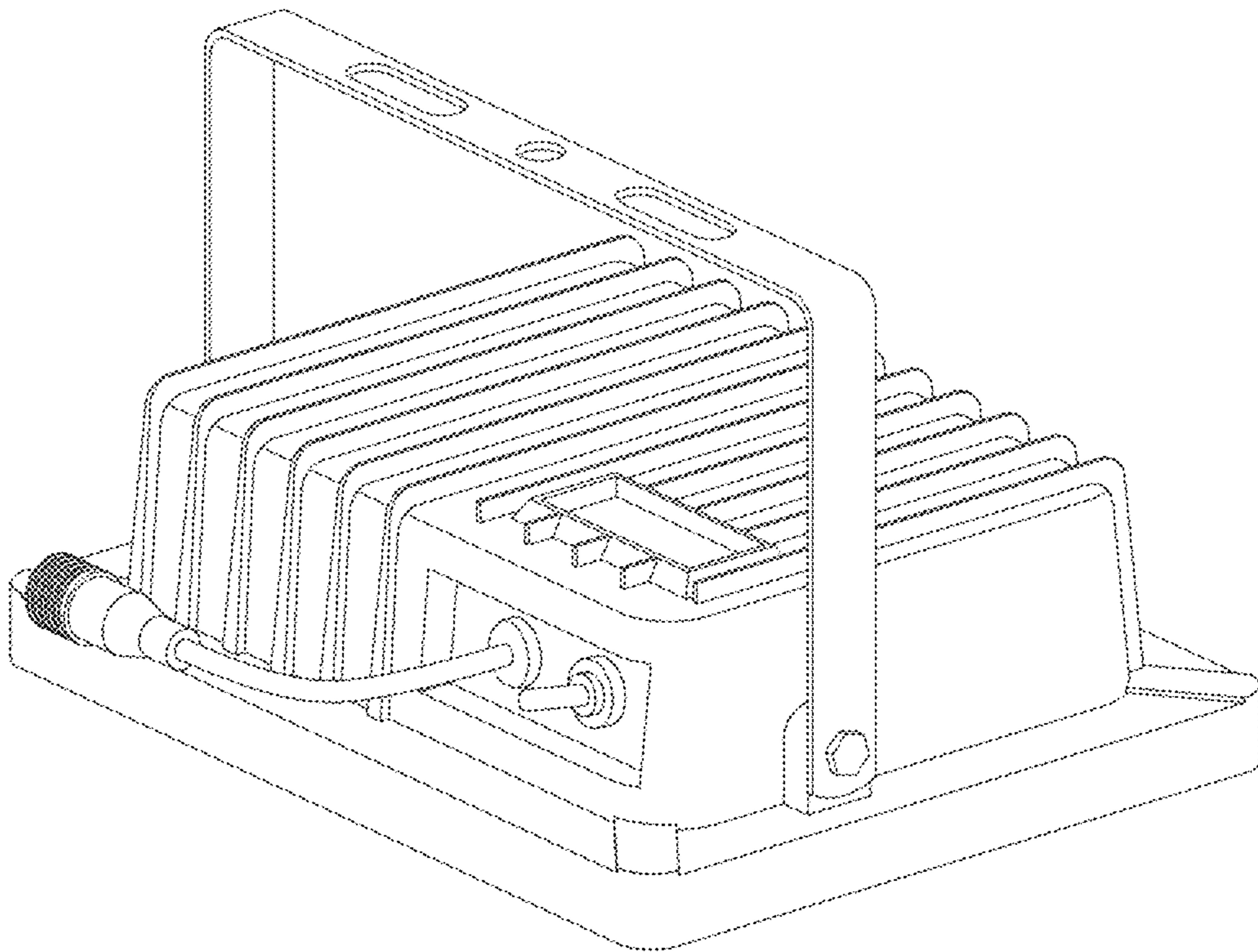


FIG.1

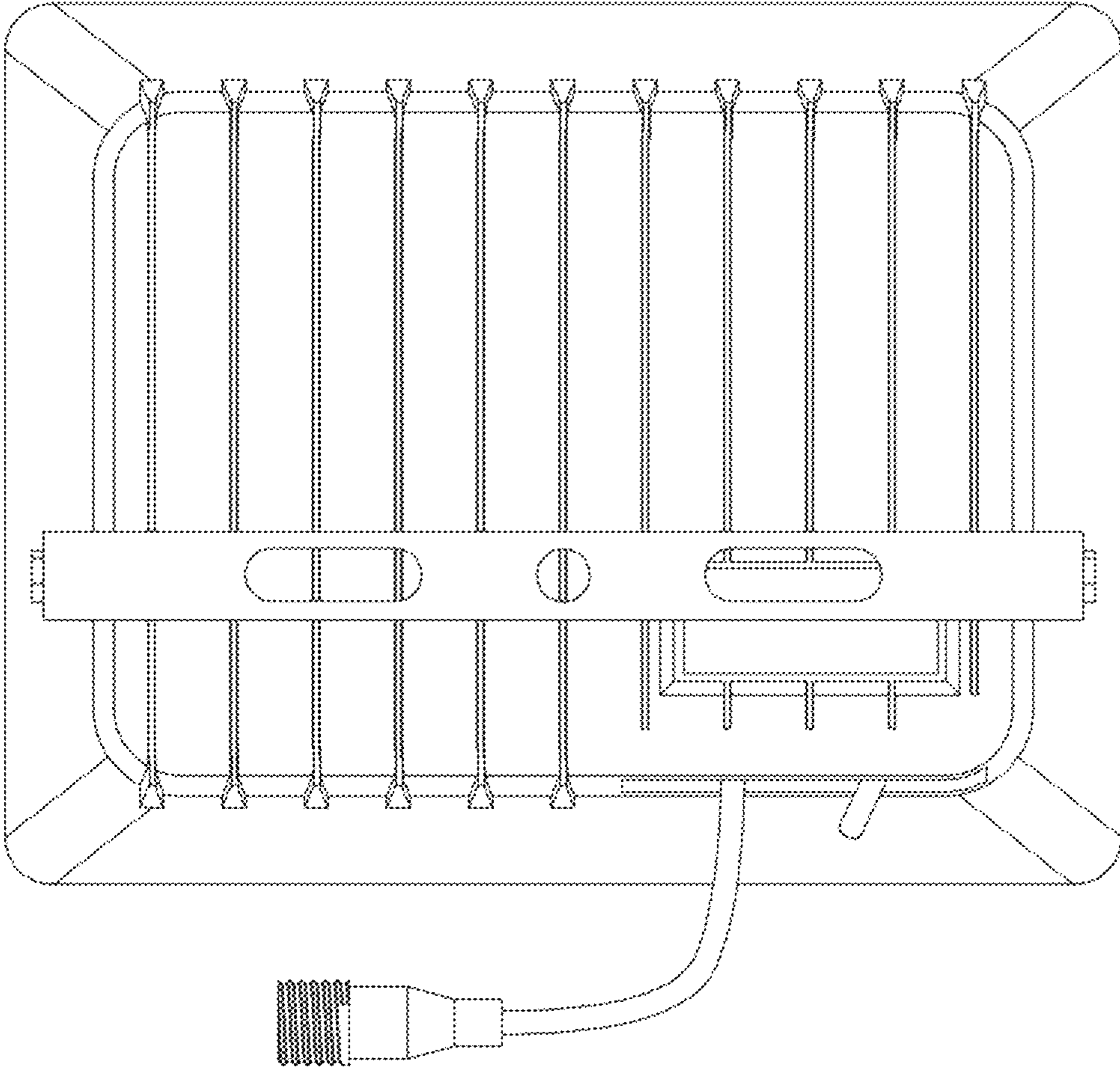


FIG.2

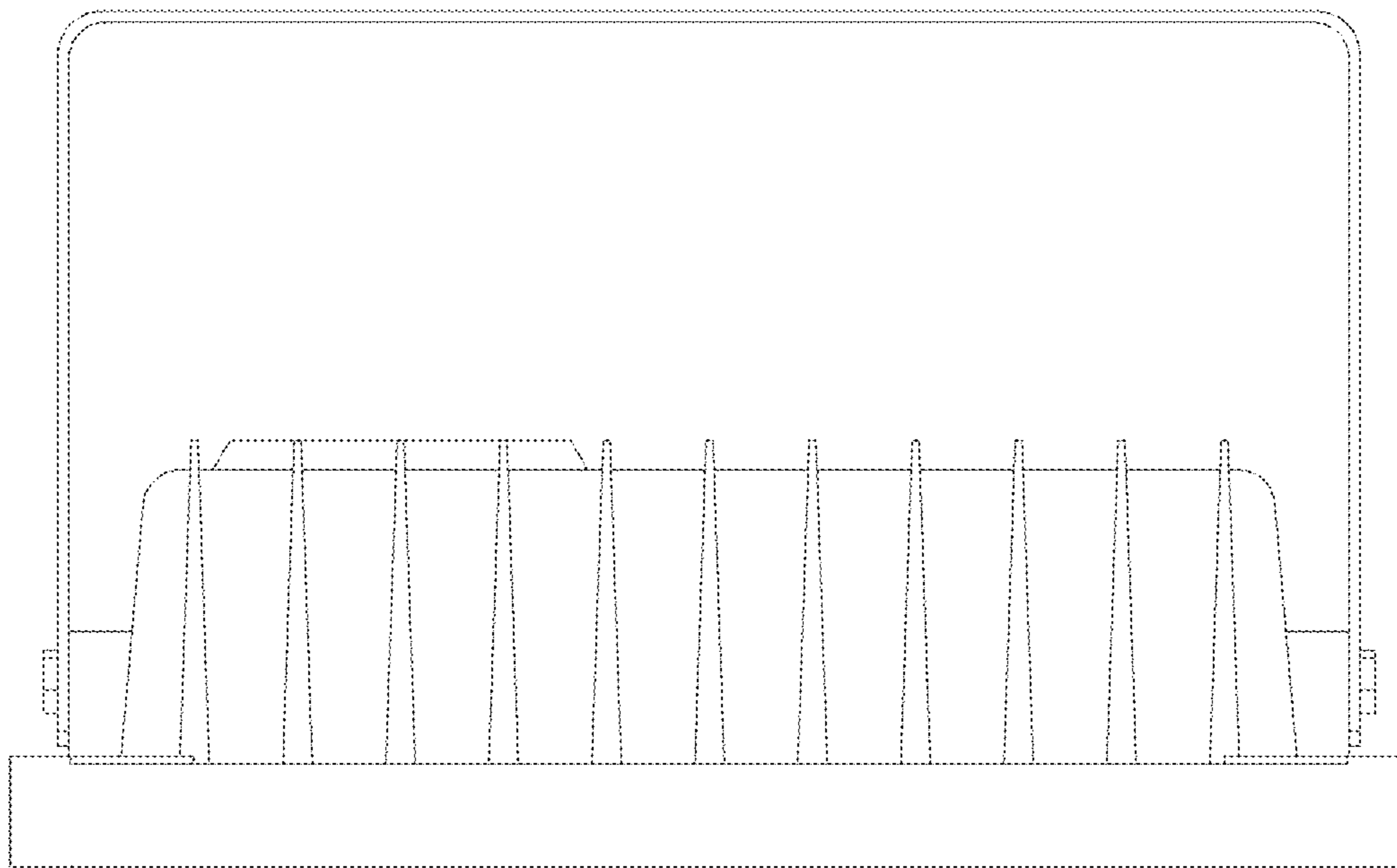


FIG.3

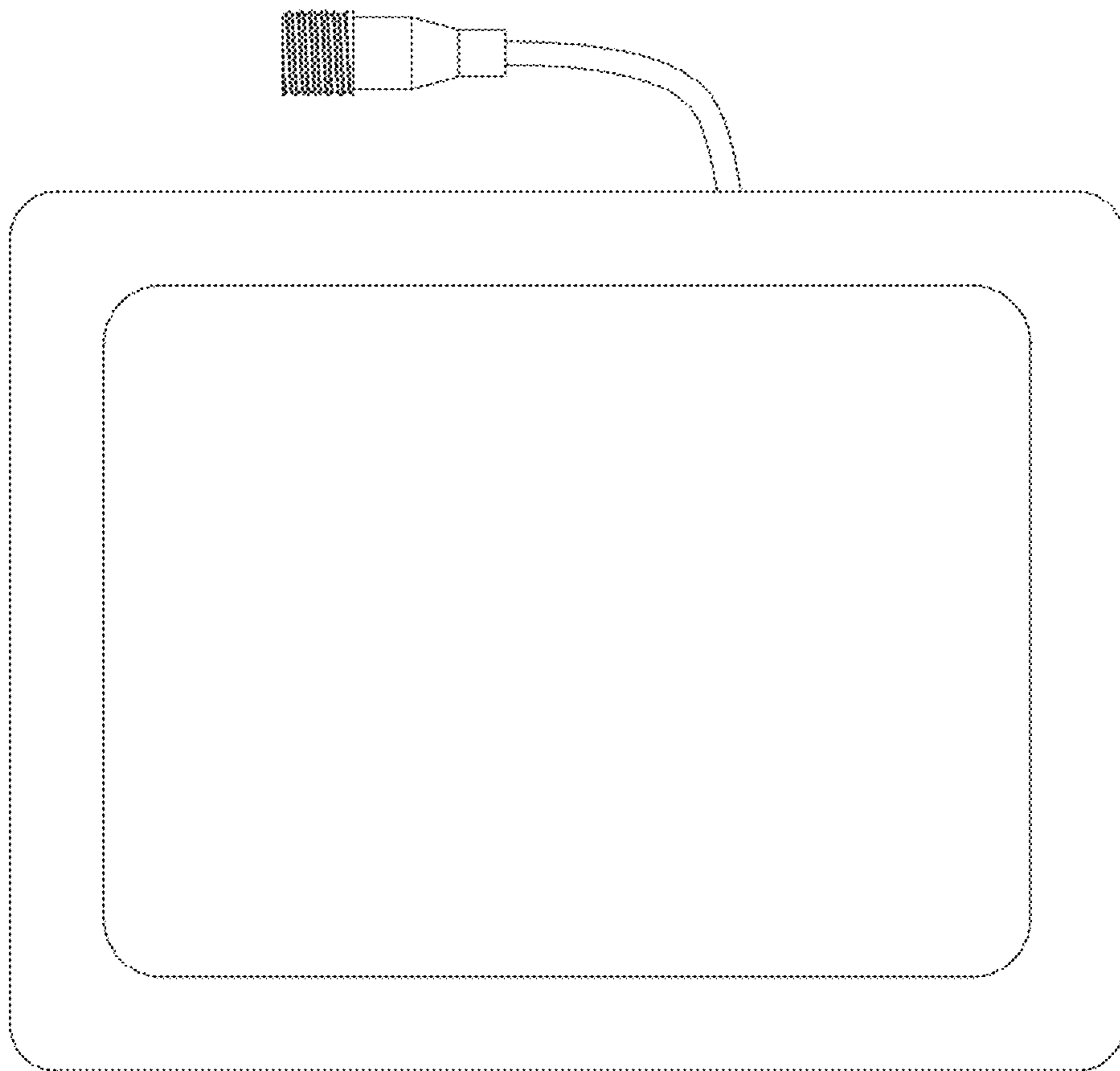


FIG.4

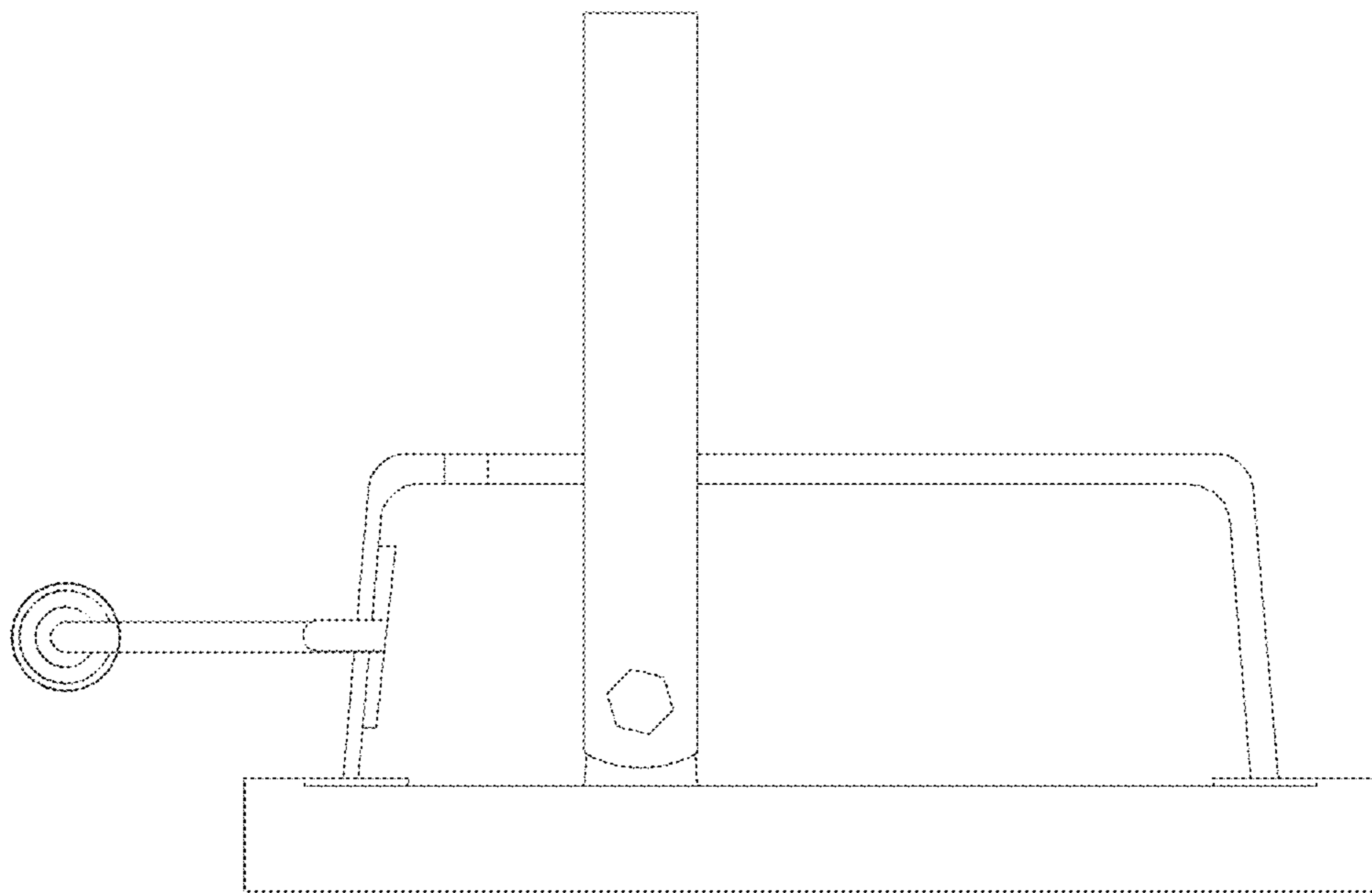


FIG. 5

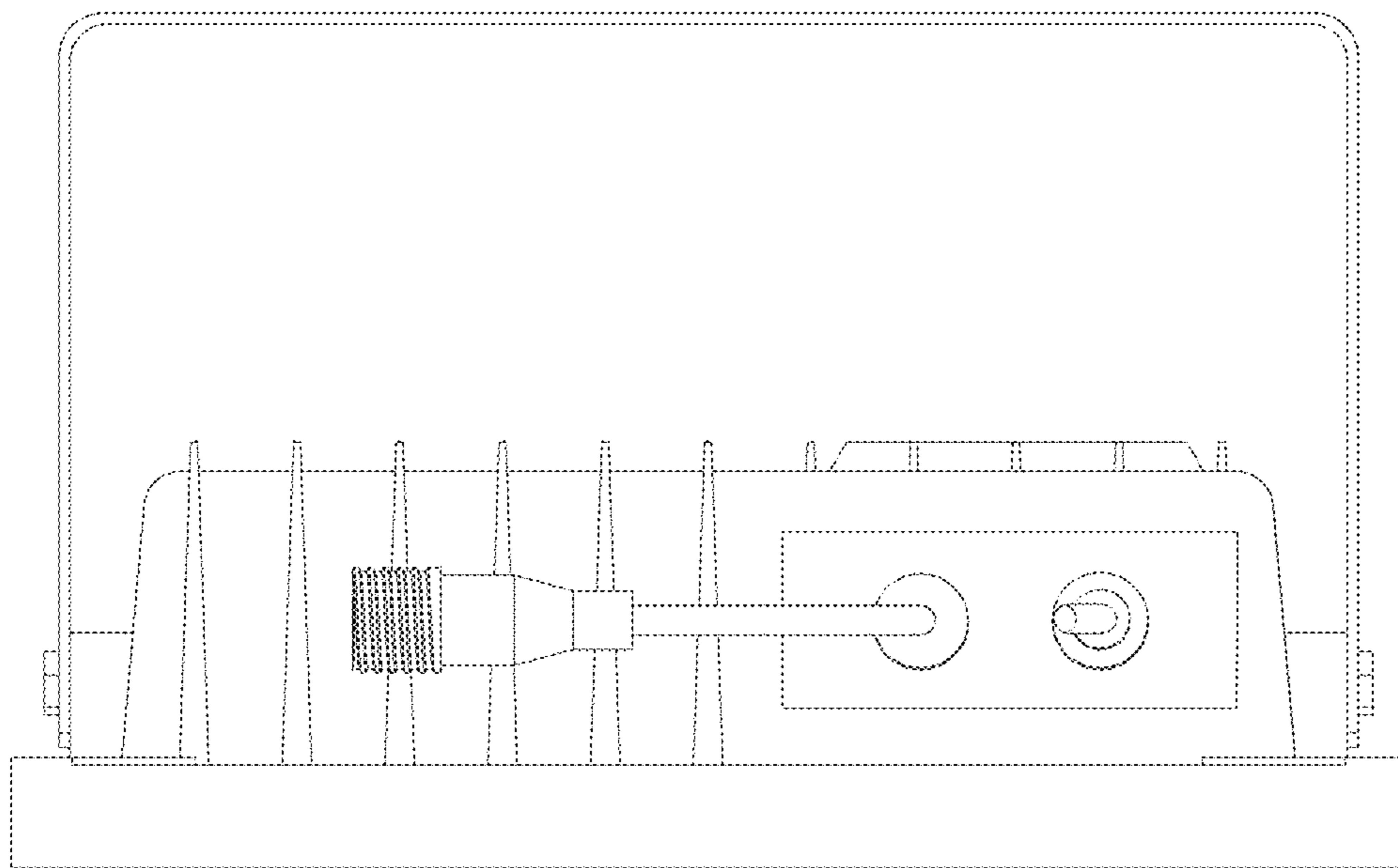


FIG. 6

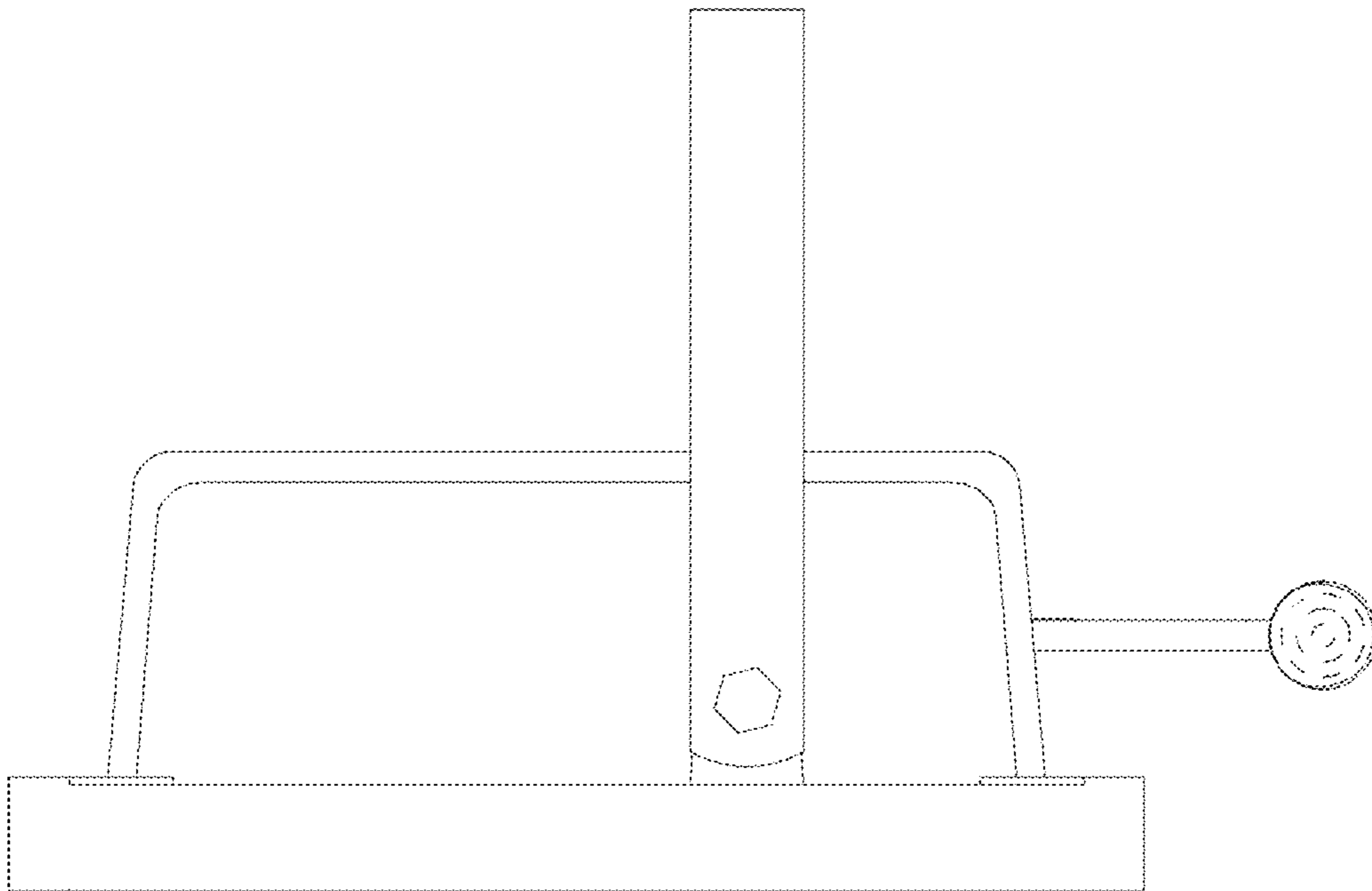


FIG. 7