



US00D901054S

(12) **United States Design Patent** (10) **Patent No.:** **US D901,054 S**
Zhao (45) **Date of Patent:** **** Nov. 3, 2020**

(54) **LIGHT**
(71) Applicant: **ALLISMAN (SHENZHEN) TECHNOLOGY CO., LTD.**, Shenzhen (CN)

(72) Inventor: **Nana Zhao**, Shenzhen (CN)

(73) Assignee: **ALLISMAN (SHENZHEN) TECHNOLOGY CO., LTD.**, Shenzhen (CN)

(**) Term: **15 Years**

(21) Appl. No.: **29/736,319**

(22) Filed: **May 29, 2020**

(51) **LOC (12) Cl.** **26-05**

(52) **U.S. Cl.**
USPC **D26/61; D16/237**

(58) **Field of Classification Search**
USPC ... D26/1, 24, 39, 60, 61, 63, 64, 65, 72, 79, D26/92, 106, 111, 113, 118, 120, 123, D26/124; D16/237, 239, 244, 245, 250; D14/229, 238, 238.1, 251, 447
CPC F21V 21/14; F21V 21/30; F21V 21/096; F21V 15/01; F21V 12/02; F21V 1/06; F21V 1/12; F21S 8/003; F21S 8/043; G03B 2215/0539; G03B 2215/0575; G03B 17/56; G03B 17/565
See application file for complete search history.

(56) **References Cited**

U.S. PATENT DOCUMENTS

D321,885 S * 11/1991 Sheldrake D14/253
D690,457 S * 9/2013 Lu D26/118
D776,186 S 1/2017 Gammons
D827,180 S * 8/2018 Mou D26/72
D829,724 S * 10/2018 Chun D14/447

D845,960 S * 4/2019 Yao D14/447
D847,800 S * 5/2019 Wengreen D14/238.1
D855,242 S * 7/2019 Chen D26/106
D860,485 S * 9/2019 Yu D26/24
D873,328 S * 1/2020 Shen D16/239
D877,392 S * 3/2020 Yu D26/79
D880,048 S 3/2020 Zhu
D882,843 S * 4/2020 Kaiser D26/60
D886,360 S * 6/2020 Xu D26/106

(Continued)

Primary Examiner — Wan Laymon
Assistant Examiner — Clint A Samuel

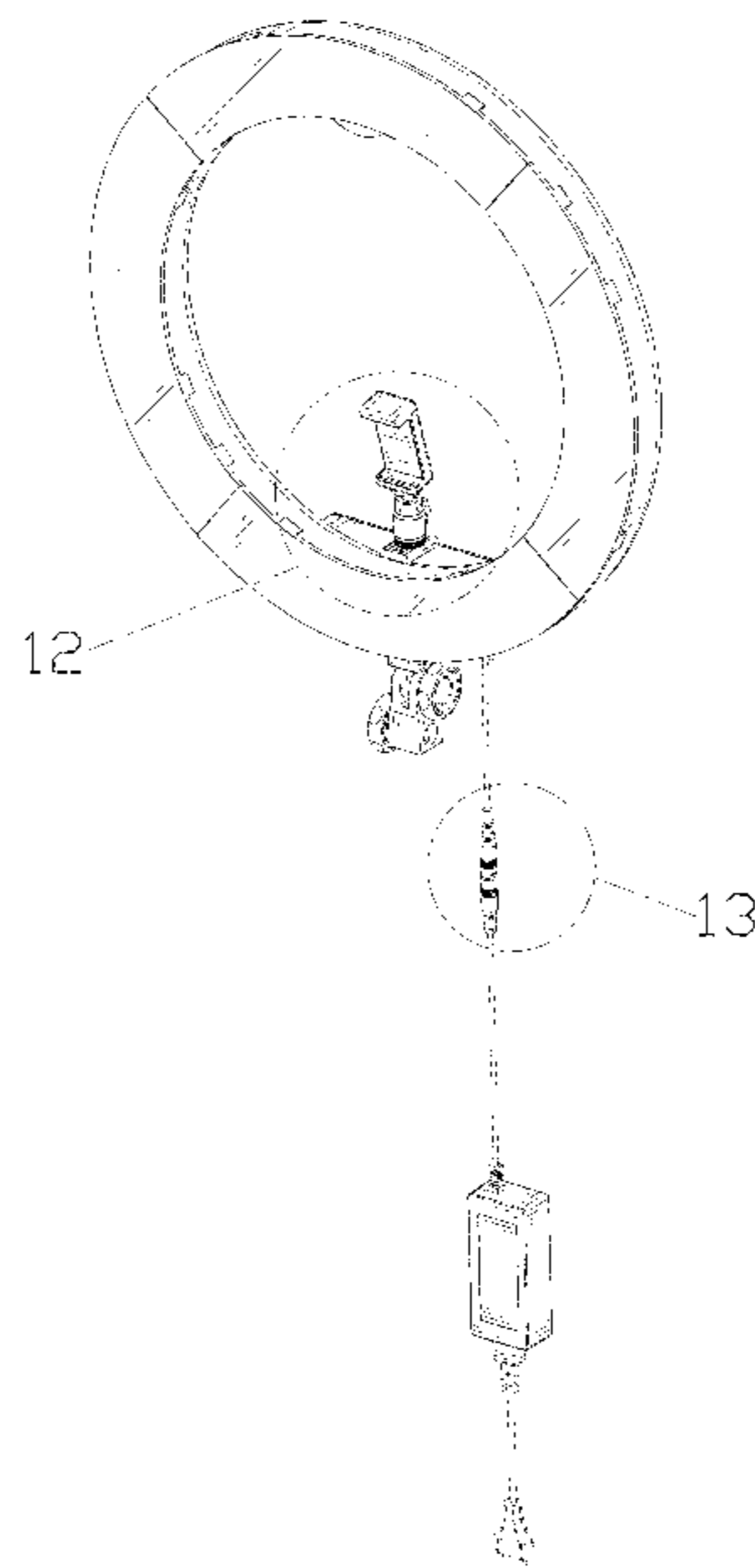
(57) **CLAIM**

The ornamental design for a light, as shown and described.

DESCRIPTION

FIG. 1 is a perspective view of a light showing my new design where a phone holder is in a first configuration of use; FIG. 2 is another perspective view thereof; FIG. 3 is a front elevational view thereof; FIG. 4 is a rear elevational view thereof; FIG. 5 is a left side elevational view thereof; FIG. 6 is a right side elevational view thereof; FIG. 7 is a top plan view thereof; FIG. 8 is a bottom plan view thereof; FIG. 9 is a perspective view of the light where a clamp arm of the phone holder is pulled outwards; FIG. 10 is a perspective view of the light where the phone holder is in a second configuration of use; FIG. 11 is a perspective view of the light where the phone holder is in a third configuration of use; FIG. 12 is an enlarged view of portion 12 shown in FIG. 1; FIG. 13 is an enlarged view of portion 13 shown in FIG. 1; and, FIG. 14 is an enlarged view of portion 14 shown in FIG. 2. The broken lines in the drawings depict portions of the light that form no part of the claimed design.

1 Claim, 14 Drawing Sheets



(56)

References Cited

U.S. PATENT DOCUMENTS

D887,590 S *	6/2020	Ke	D26/1
D895,877 S *	9/2020	Kaiser	D26/72
2016/0069548 A1 *	3/2016	Wessel	F21S 9/02 362/183

* cited by examiner

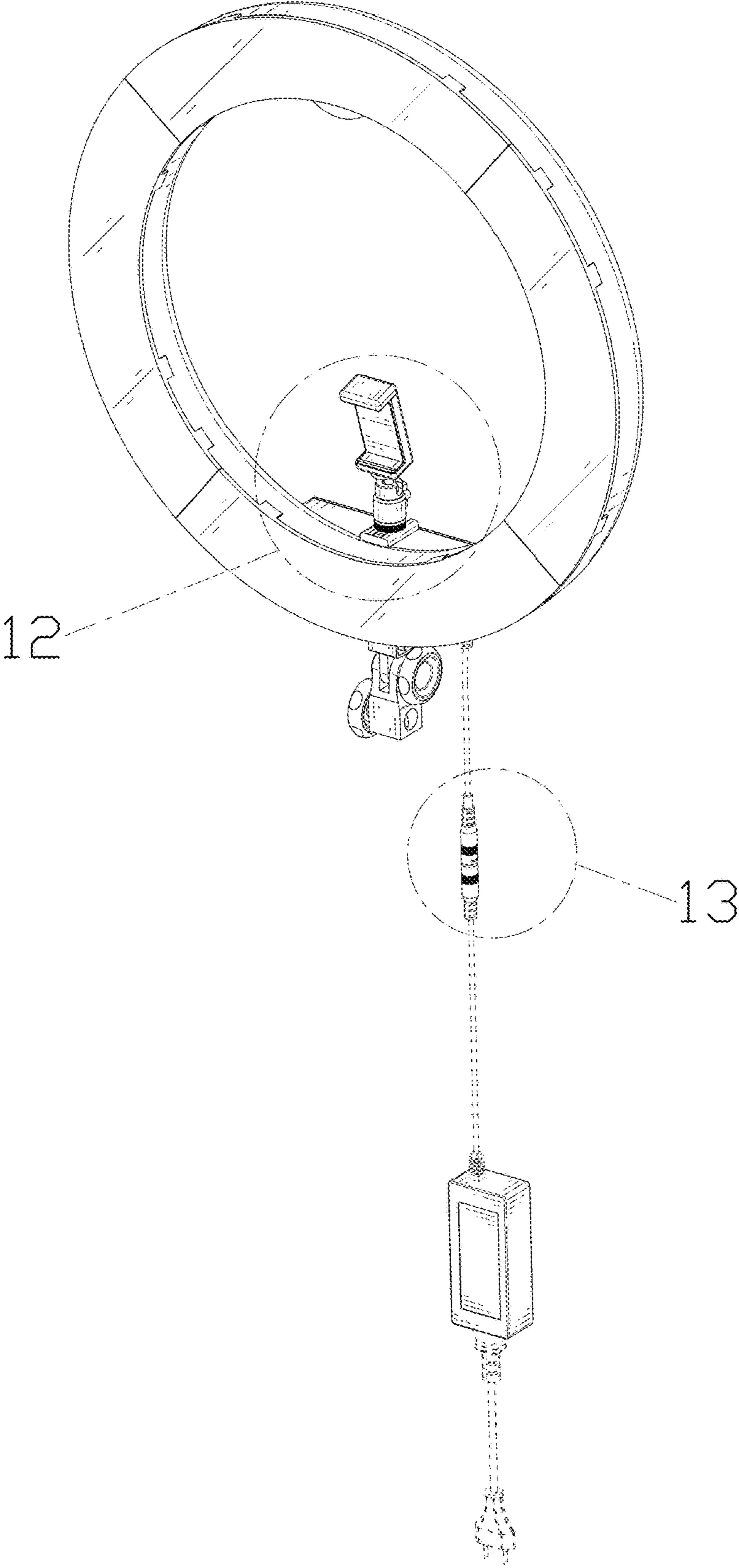


FIG. 1

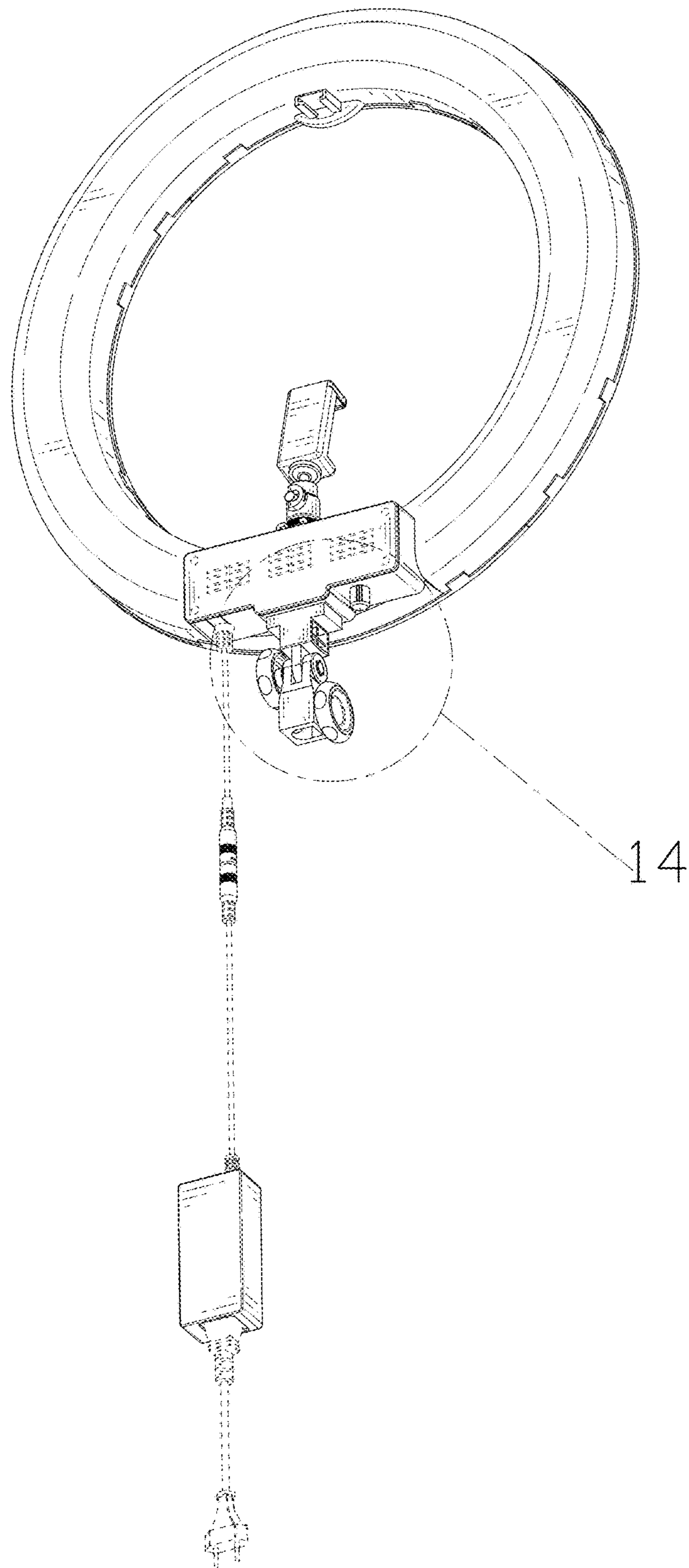


FIG. 2

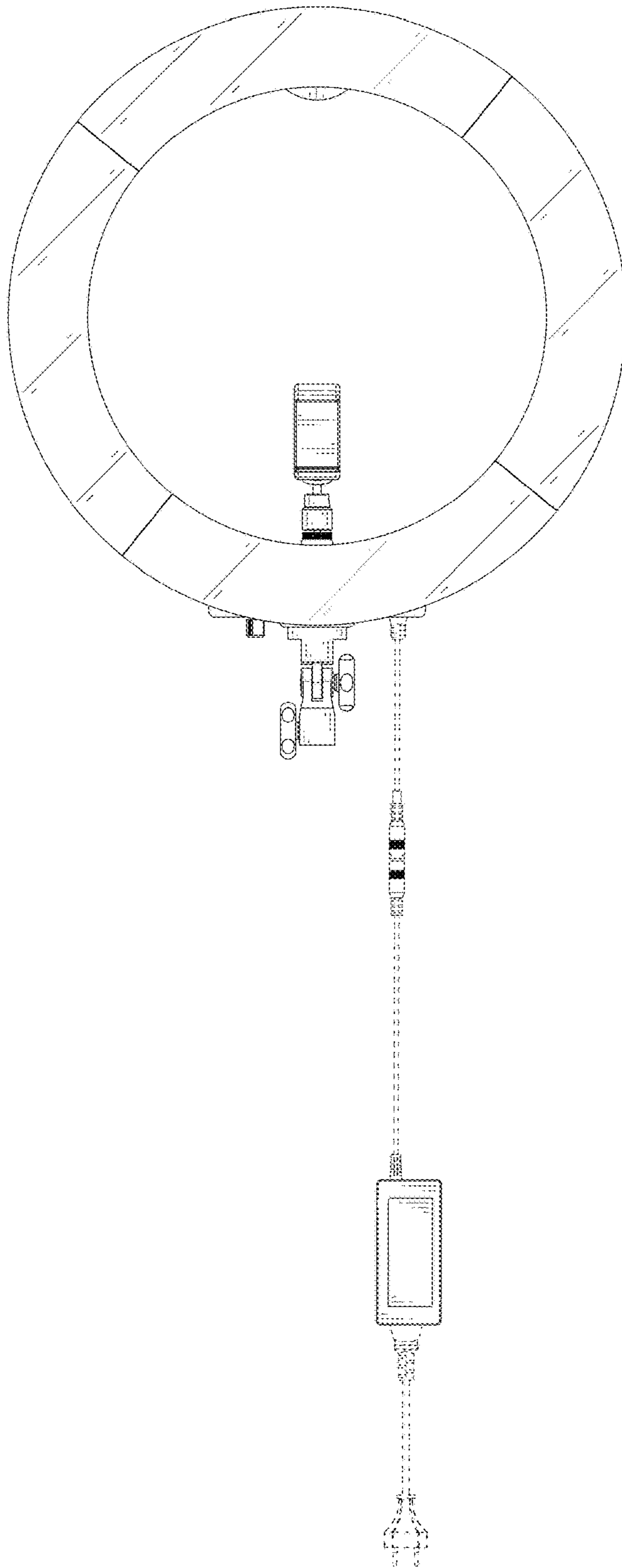


FIG. 3

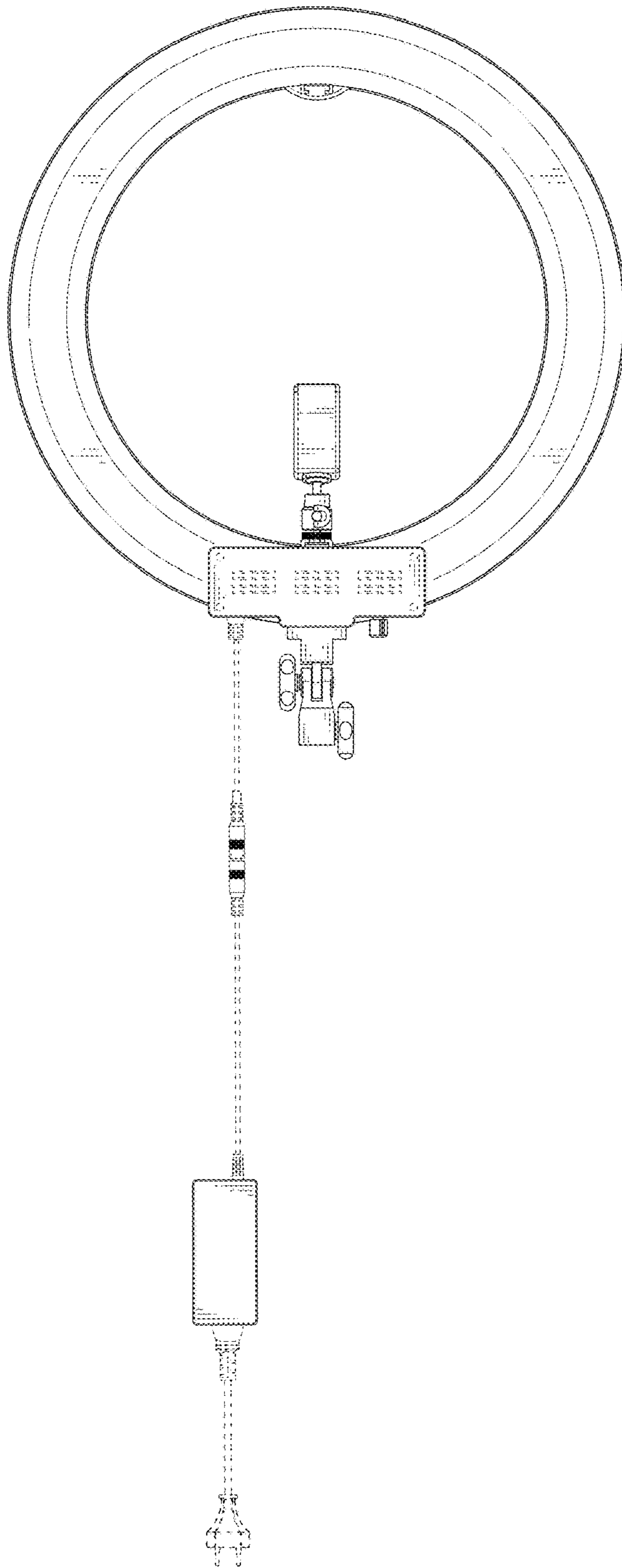


FIG. 4

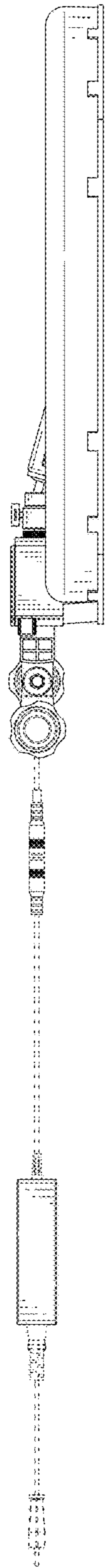


FIG. 5

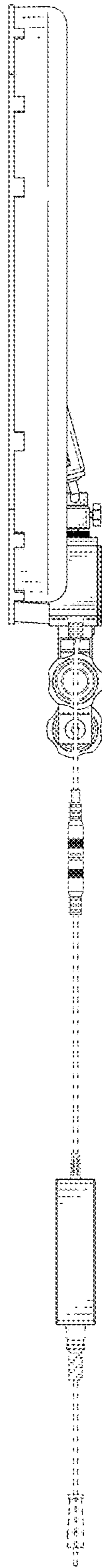


FIG. 6

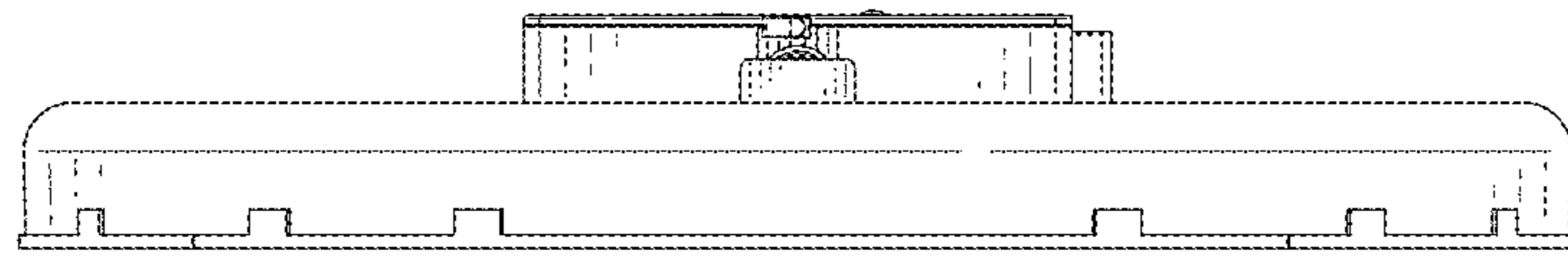


FIG. 7

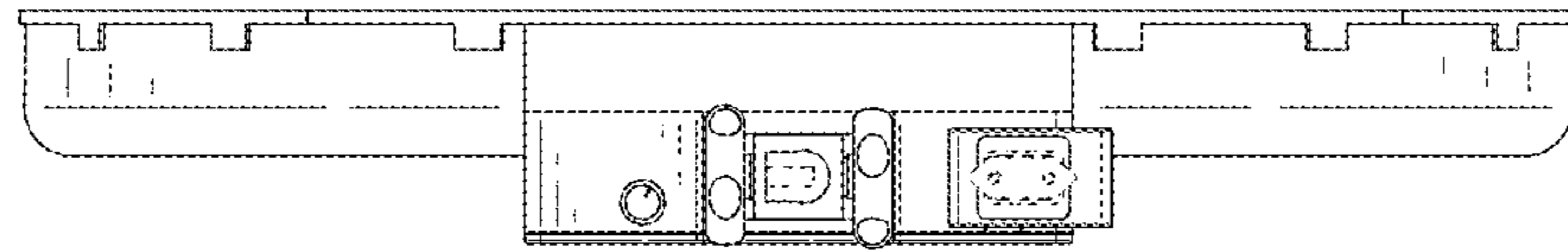


FIG. 8

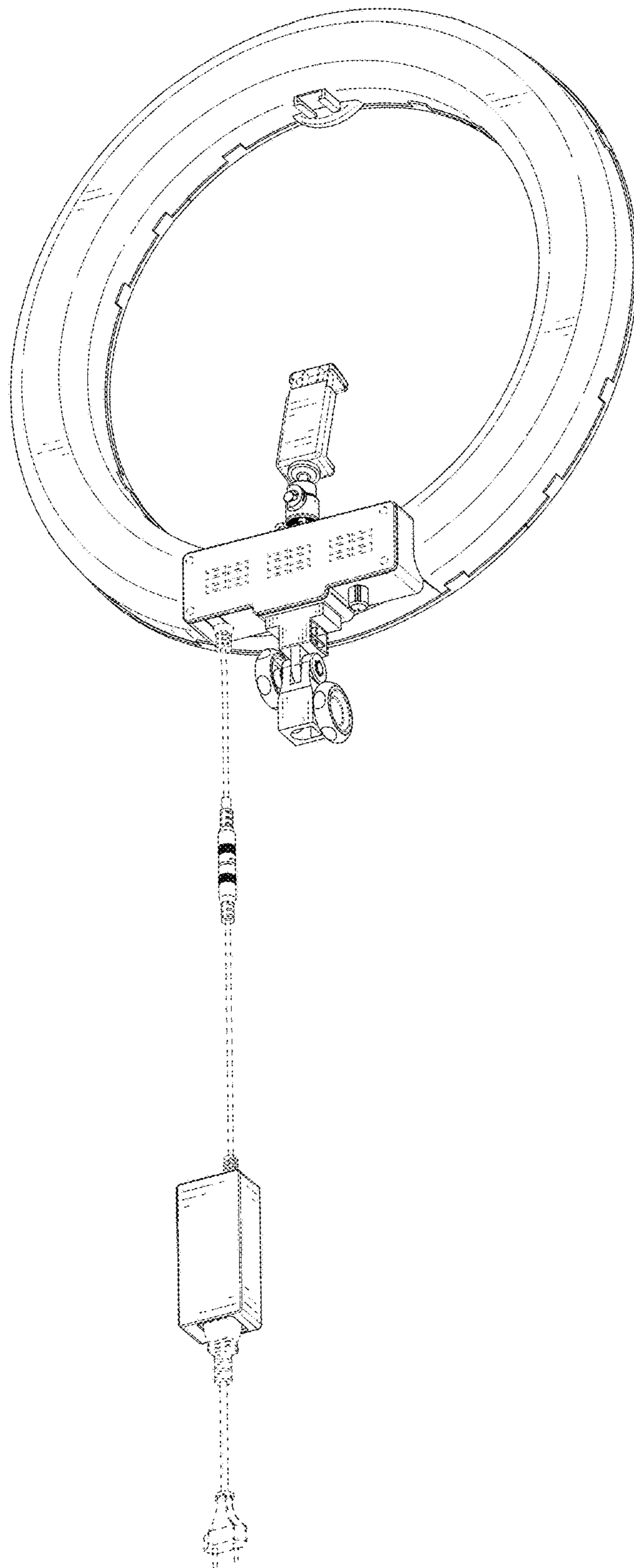


FIG. 9

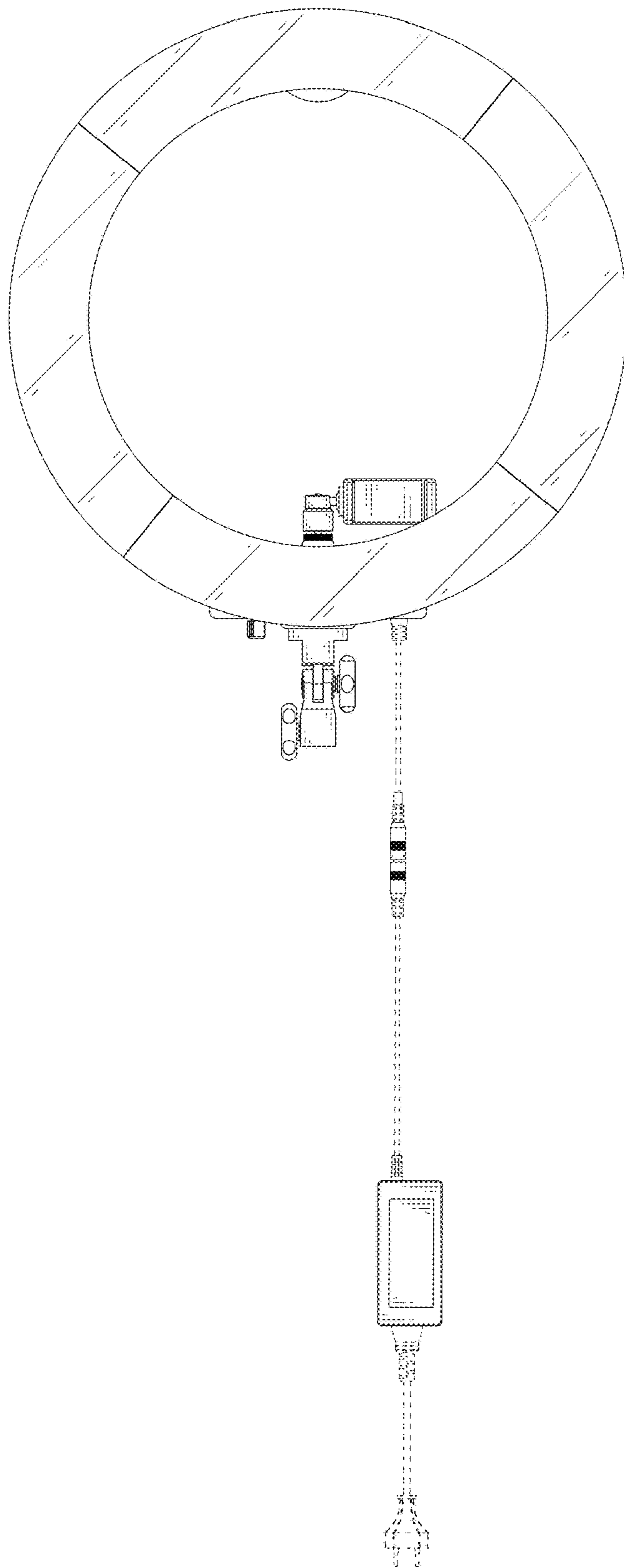


FIG. 10

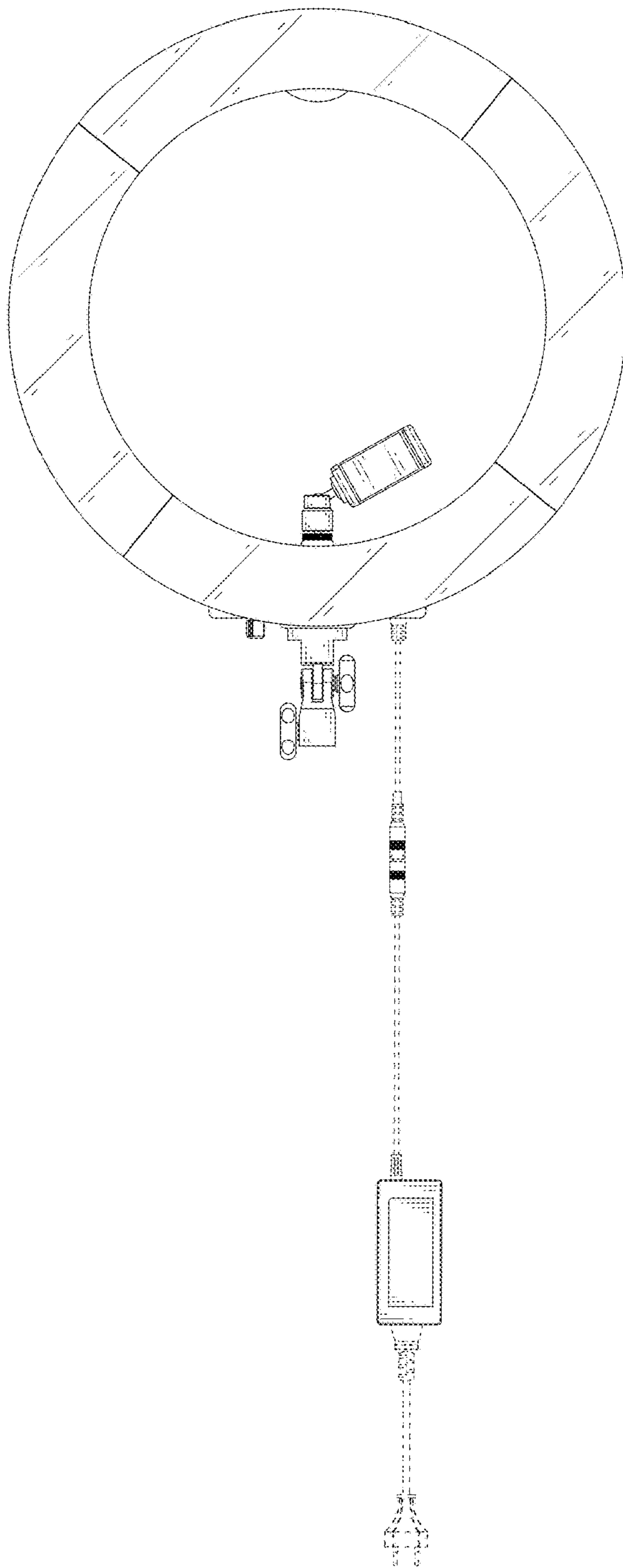


FIG. 11

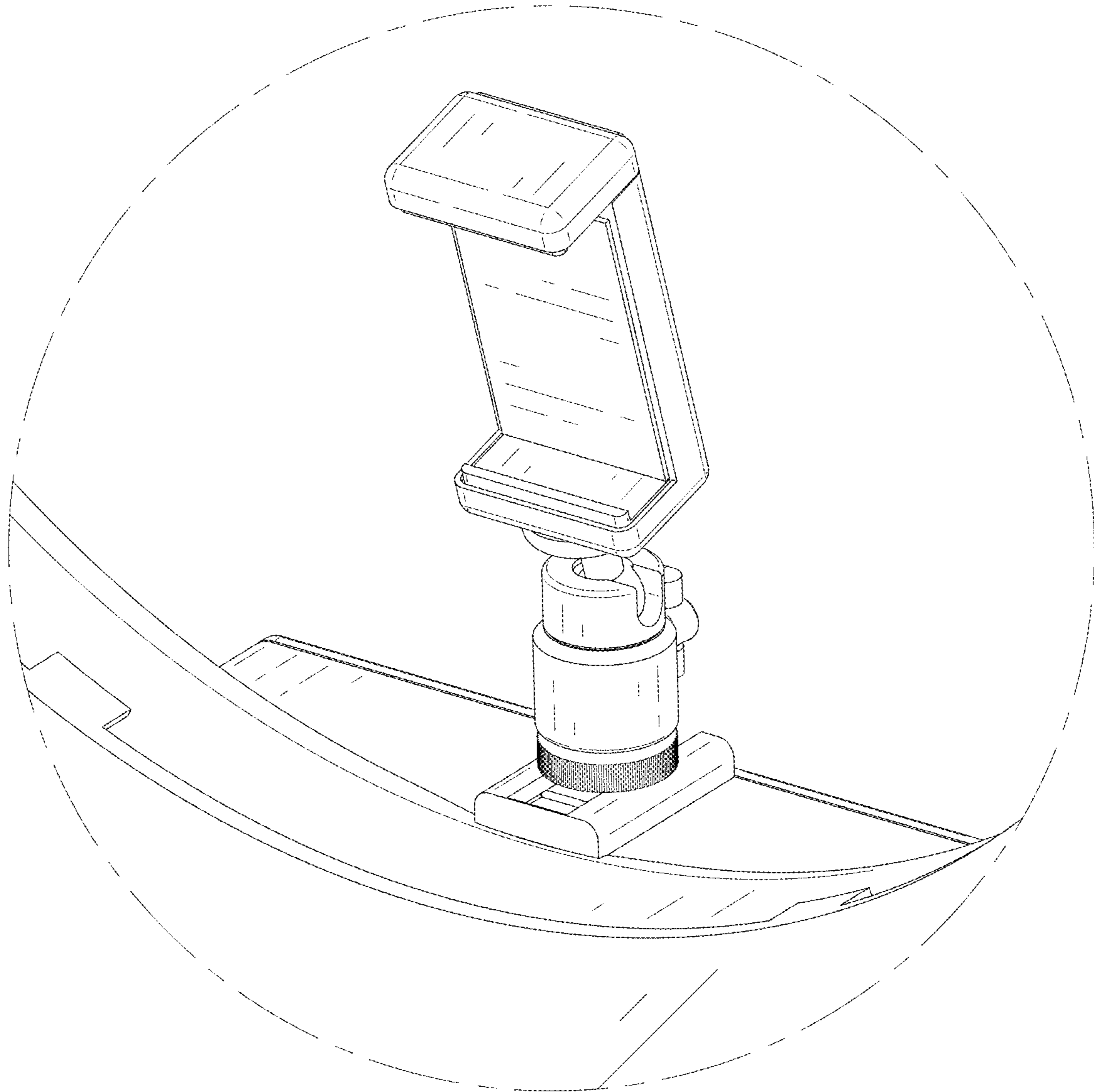


FIG. 12

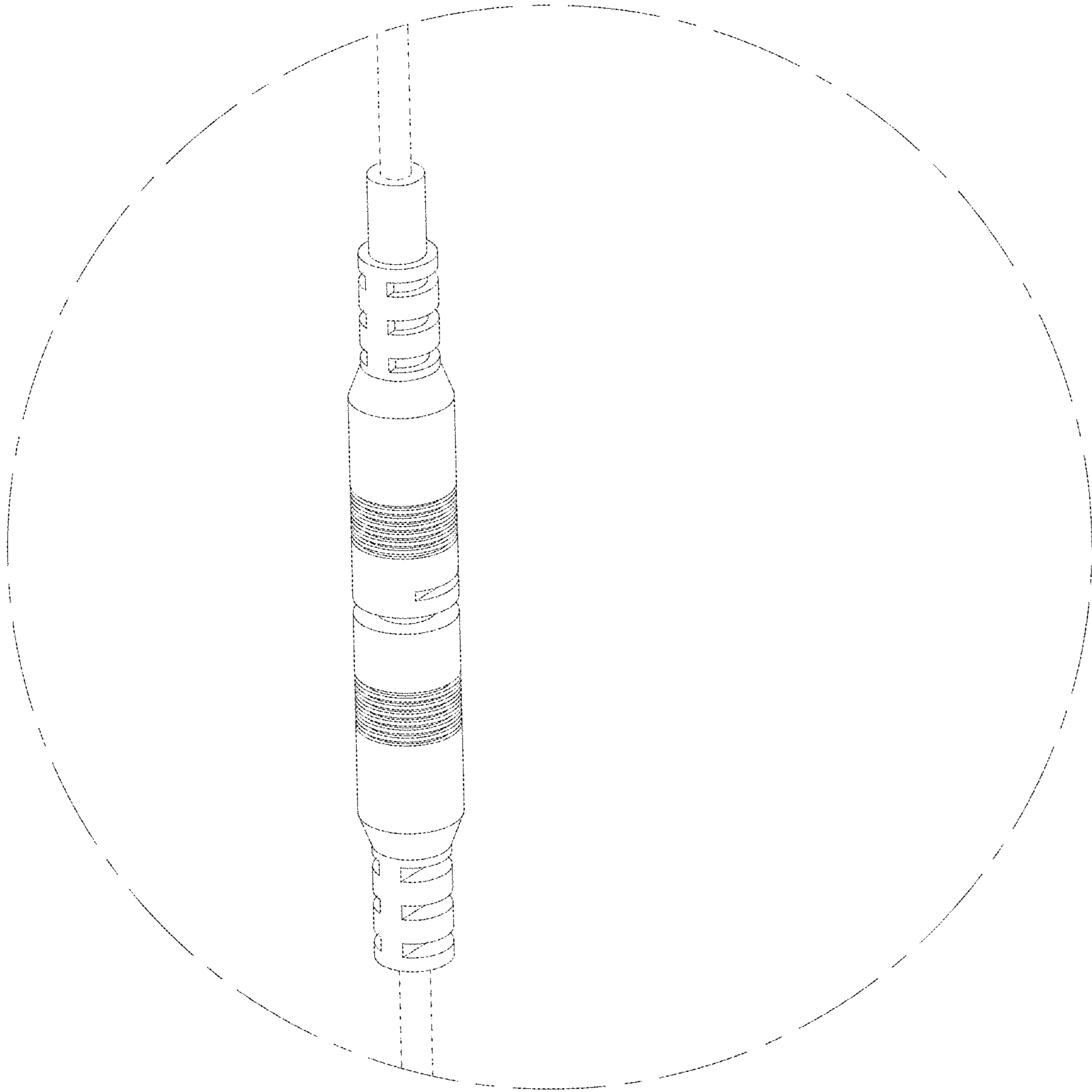


FIG. 13

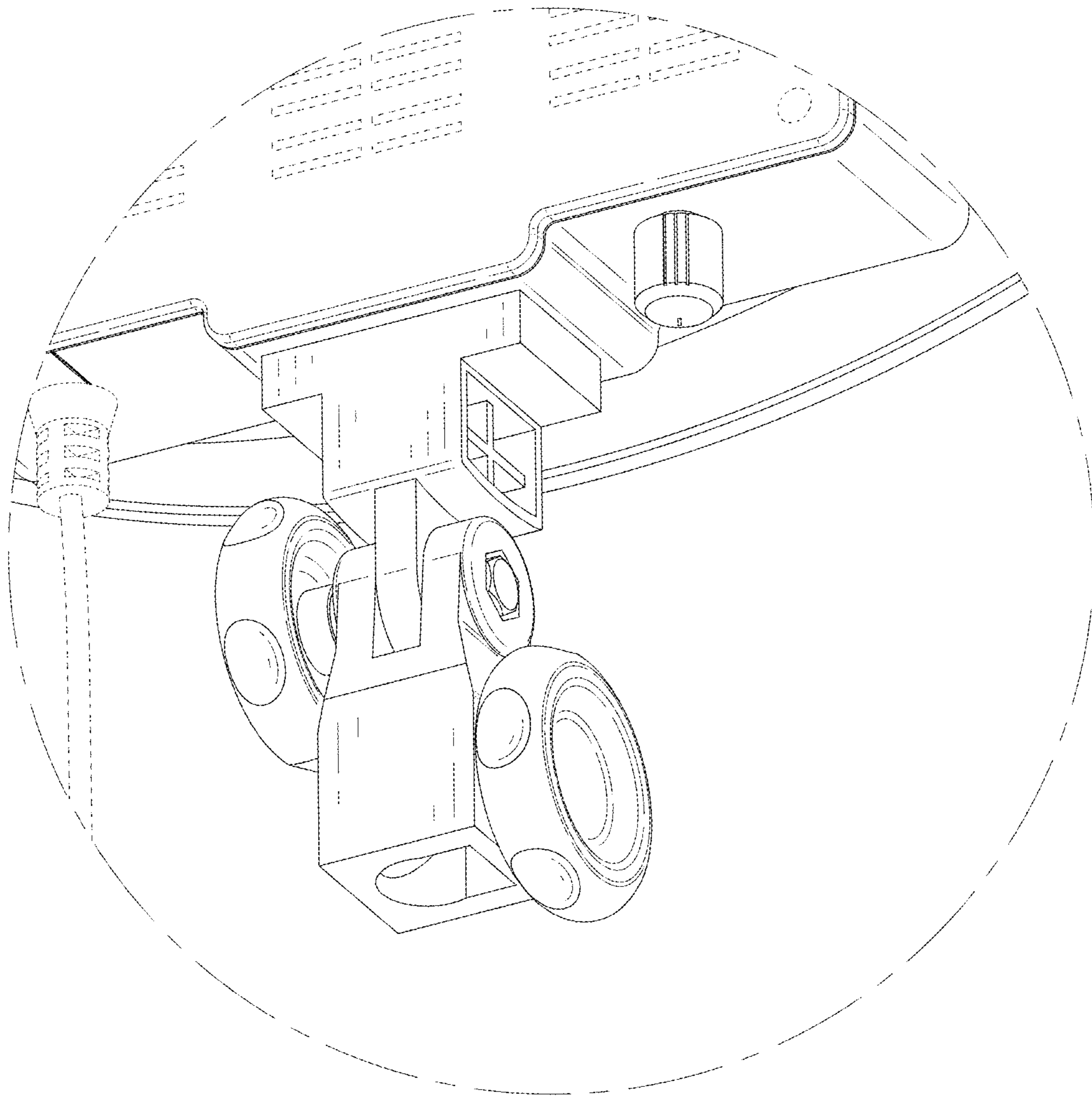


FIG. 14