



US00D901052S

(12) **United States Design Patent**
Lao et al.

(10) **Patent No.:** **US D901,052 S**

(45) **Date of Patent:** **** Nov. 3, 2020**

(54) **FLOODLIGHT**

(71) Applicant: **Hangzhou Ezviz Software Co., Ltd.**,
Hangzhou (CN)

(72) Inventors: **Jiabin Lao**, Hangzhou (CN); **Weike Zhu**, Hangzhou (CN)

(73) Assignee: **Hangzhou Ezviz Software Co., Ltd.**,
Hangzhou (CN)

(**) Term: **15 Years**

(21) Appl. No.: **29/664,780**

(22) Filed: **Sep. 27, 2018**

(30) **Foreign Application Priority Data**

Apr. 4, 2018 (CN) 2018 3 0134338

(51) **LOC (12) Cl.** **26-05**

(52) **U.S. Cl.**
USPC **D26/51**

(58) **Field of Classification Search**
USPC D26/24, 26, 28–29, 34, 37–38, 43–44,
D26/51, 59–64, 66–68, 72, 74, 76, 85–86,
D26/88–89, 91, 113, 118–119, 120,
D26/122–124, 138, 140–146
CPC F21S 8/04; F21S 8/026; F21S 8/02; F21S
8/00; F21V 21/00; F21V 17/02; F21V
14/02; F21V 21/30; F21V 21/14; F21V
21/26; F21W 2131/10
See application file for complete search history.

(56) **References Cited**

U.S. PATENT DOCUMENTS

D264,253 S * 5/1982 Goldschmidt D26/63
D294,870 S * 3/1988 Hsu D26/52
D301,634 S * 6/1989 DeCandia D26/63
D338,845 S * 8/1993 Rohrs D10/106.8

D361,149 S * 8/1995 Wedell D26/63
D369,225 S * 4/1996 Sandell D10/106.1
D374,496 S * 10/1996 Small D26/63
5,584,574 A * 12/1996 Haddad F21V 11/00
362/280
D379,246 S * 5/1997 Haslam D10/106.1
D392,406 S * 3/1998 Morrow D10/106.1
D399,583 S * 10/1998 Giese D26/63
D399,584 S * 10/1998 Giese D26/63
D399,585 S * 10/1998 Giese D26/63
D424,727 S * 5/2000 Greubel D10/104.1
D434,165 S * 11/2000 Hiller D26/65
D435,799 S * 1/2001 Leen D10/104.1
D438,320 S * 2/2001 Tang D26/63
D441,113 S * 4/2001 Small D26/63
D542,956 S * 5/2007 Benghozi D26/61
D546,997 S * 7/2007 Monroe D26/51
7,284,880 B1 * 10/2007 Steele F21V 21/15
362/234

(Continued)

Primary Examiner — Sheryl Lane

Assistant Examiner — Stacey L Hopkins

(74) *Attorney, Agent, or Firm* — Blank Rome LLP

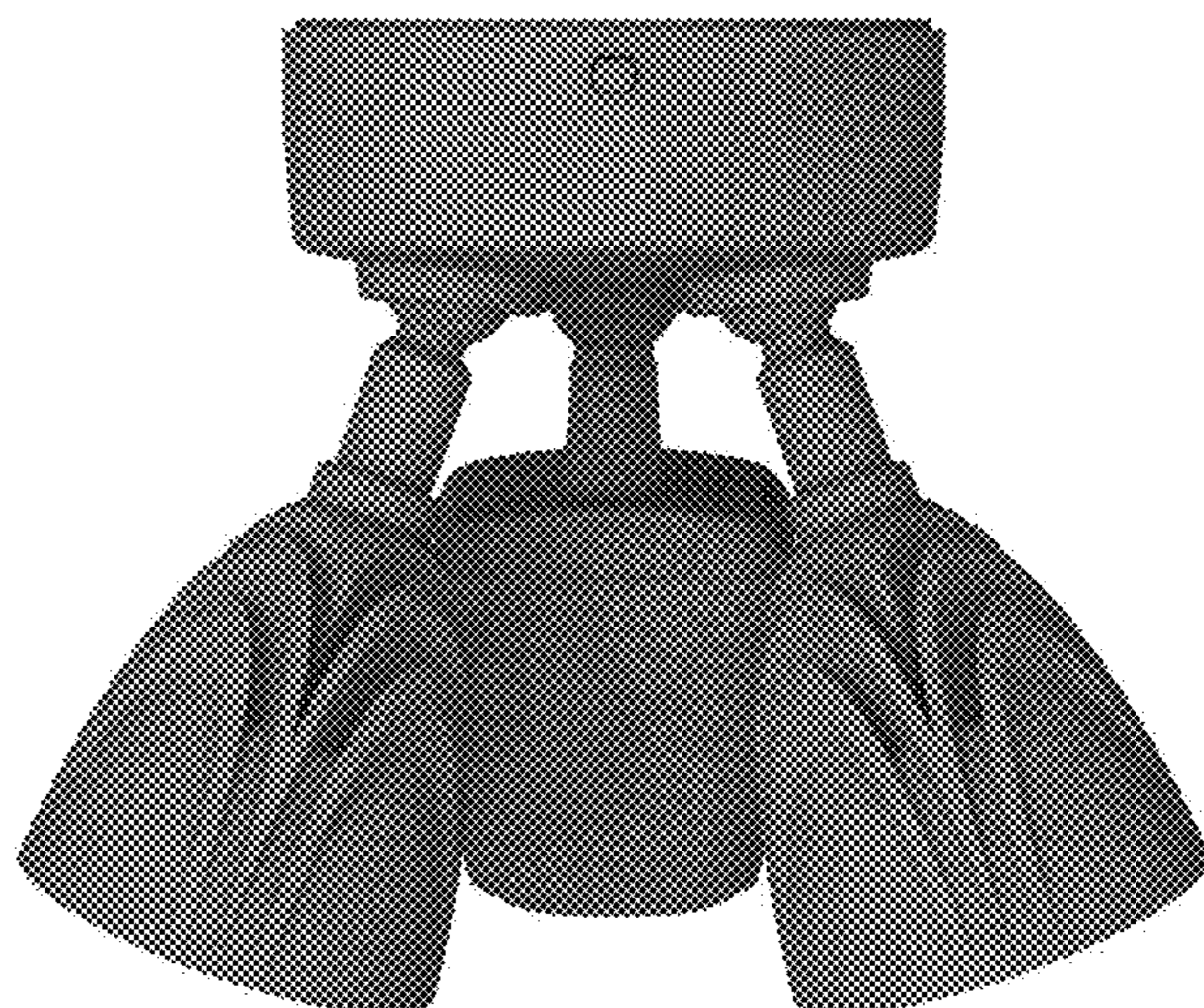
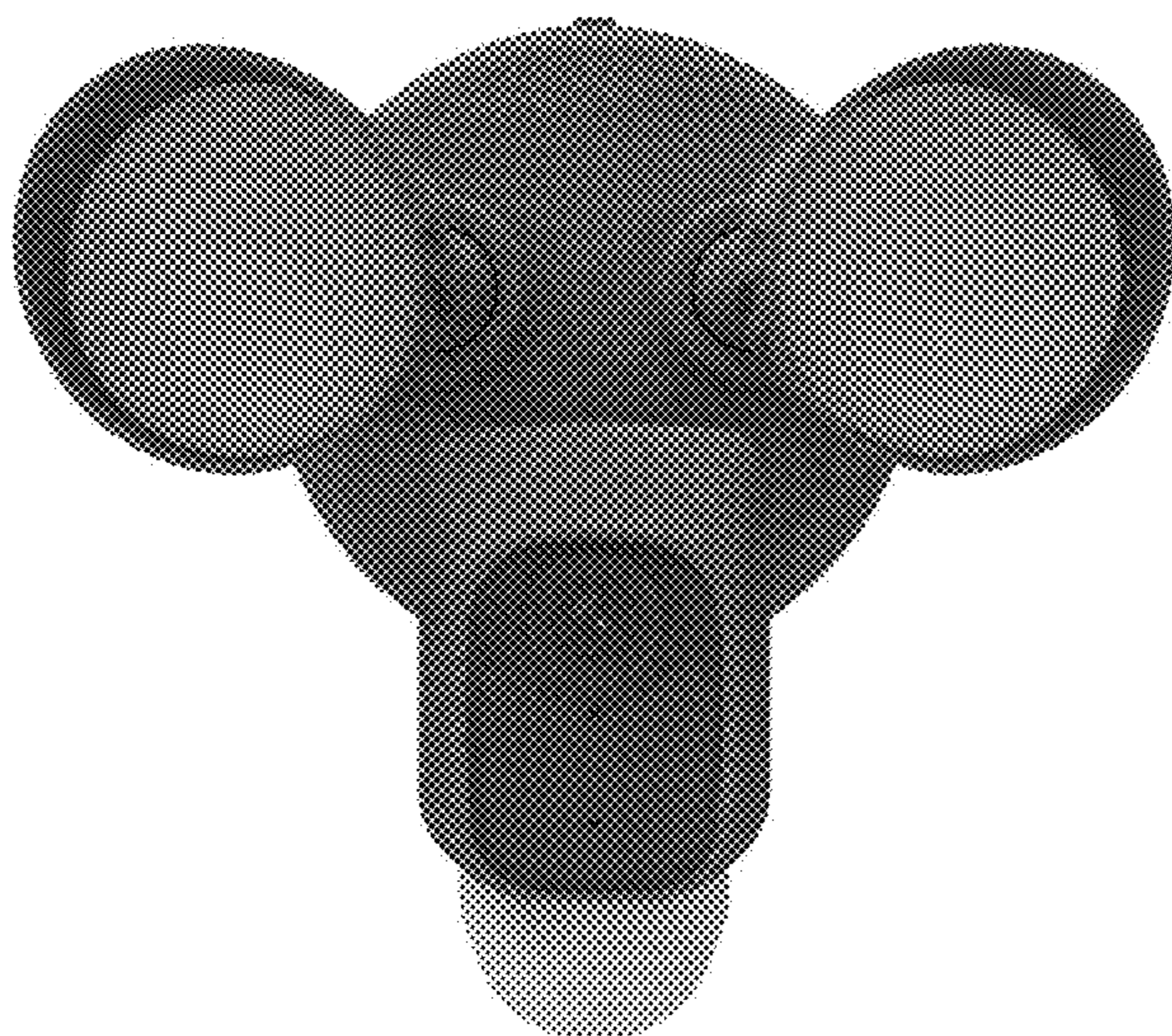
(57) **CLAIM**

The ornamental design for a floodlight, as shown and described.

DESCRIPTION

FIG. 1 is a front view of a floodlight of our new design; FIG. 2 is a left view of the floodlight shown in FIG. 1; FIG. 3 is a right view of the floodlight shown in FIG. 1; FIG. 4 is a top view of the floodlight shown in FIG. 1; FIG. 5 is a bottom view of the floodlight shown in FIG. 1; FIG. 6 is a perspective view of the floodlight shown in FIG. 1; and, FIG. 7 is another perspective view of the floodlight shown in FIG. 1. Back view of the floodlight is omitted because it has no essential features.

1 Claim, 4 Drawing Sheets



(56)

References Cited

U.S. PATENT DOCUMENTS

D560,838	S	*	1/2008	Monroe	D26/63
D562,486	S	*	2/2008	Luke	D26/61
D580,083	S	*	11/2008	Sanoner	D26/63
D583,974	S	*	12/2008	Johnson	D26/61
D645,593	S	*	9/2011	Janssen	D26/63
D647,657	S	*	10/2011	Janssen	D26/63
D657,489	S	*	4/2012	Johnstone	D26/138
D667,981	S	*	9/2012	Connolly	D26/63
D700,097	S	*	2/2014	Hasan	D10/114.1
D713,578	S	*	9/2014	Chen	D26/63
D713,581	S	*	9/2014	Chen	D26/63
D742,053	S	*	10/2015	Sussman	D26/63
D745,201	S	*	12/2015	Lee	D26/63
D745,202	S	*	12/2015	Guercio	D26/63
D799,104	S	*	10/2017	Chen	D26/120
D805,672	S	*	12/2017	Dai	D26/63
D810,982	S	*	2/2018	Liang	D26/63
D818,171	S	*	5/2018	Brynjolfsson	D26/63
D835,335	S	*	12/2018	Paredes	D26/120
D835,834	S	*	12/2018	Paredes	D26/120
D869,038	S	*	12/2019	Recker	D26/63
D869,720	S	*	12/2019	Recker	D26/63
D869,721	S	*	12/2019	Recker	D26/63
D875,998	S	*	2/2020	Haggar	D26/118
D877,384	S	*	3/2020	Joshi	D26/63
D878,656	S	*	3/2020	Recker	D26/63
D880,761	S	*	4/2020	McRoberts	D26/118
D882,848	S	*	4/2020	Zhang	D26/63
D887,060	S	*	6/2020	Wang	D26/63

* cited by examiner



FIG. 1

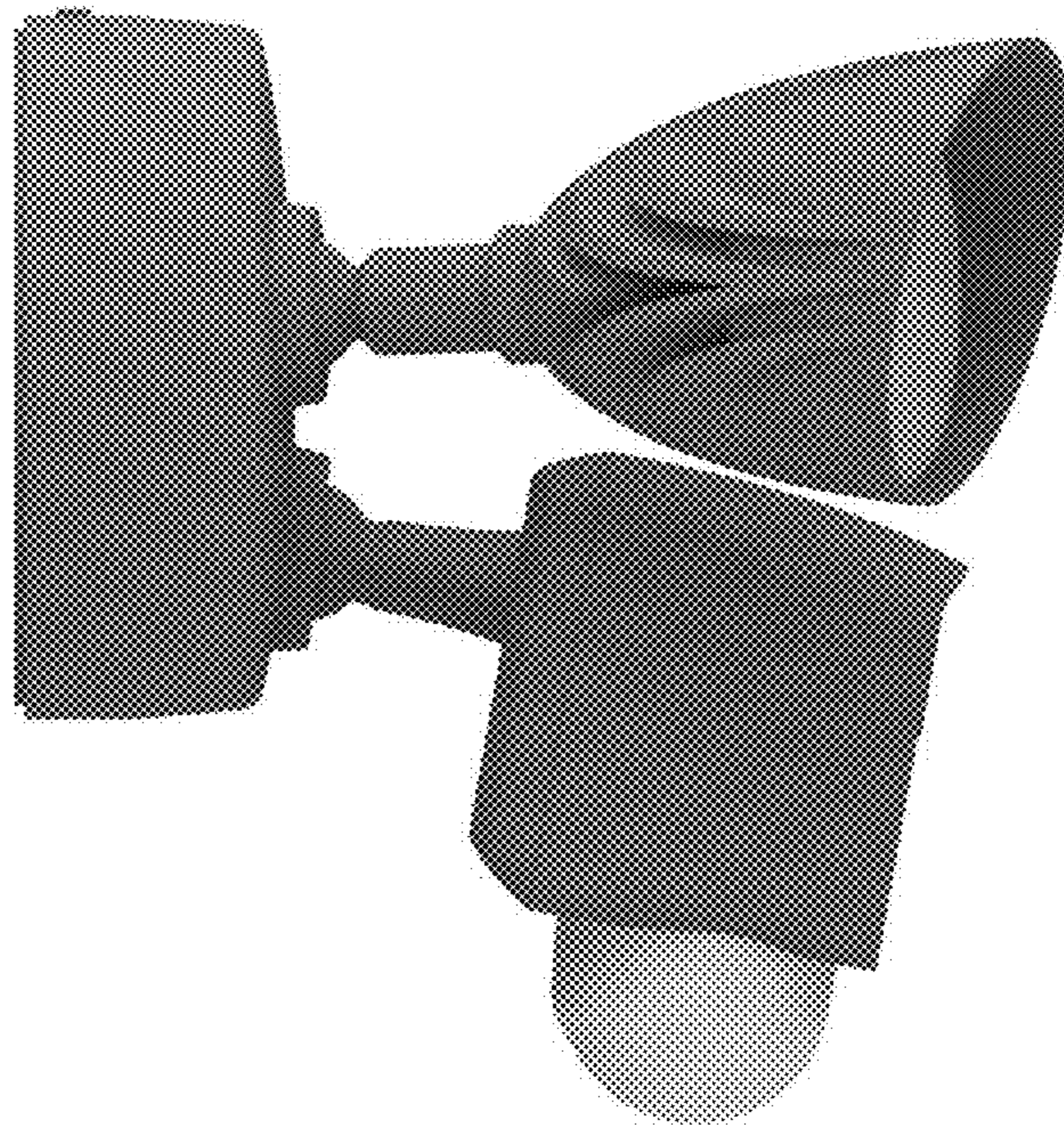


FIG. 2

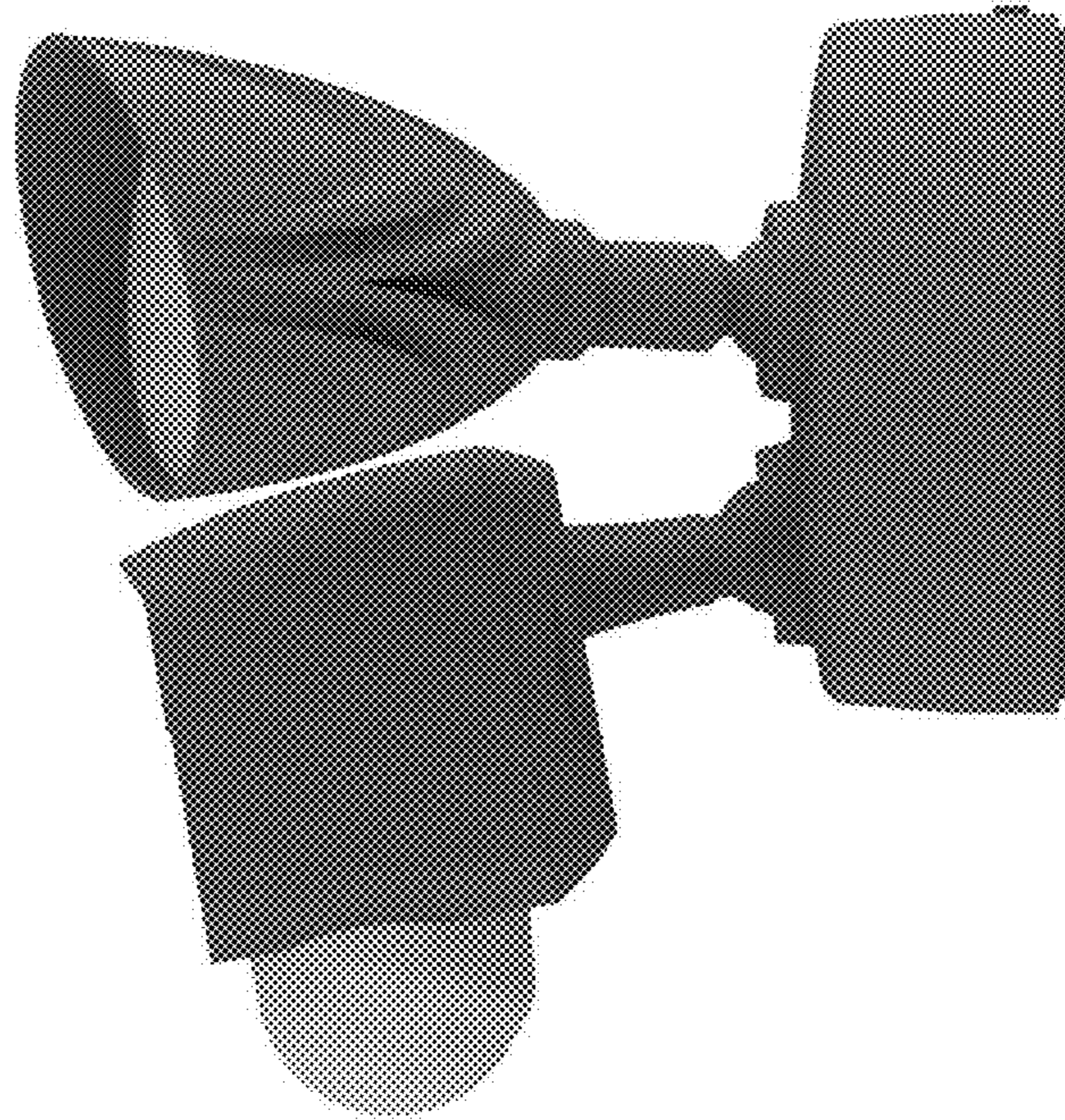


FIG. 3

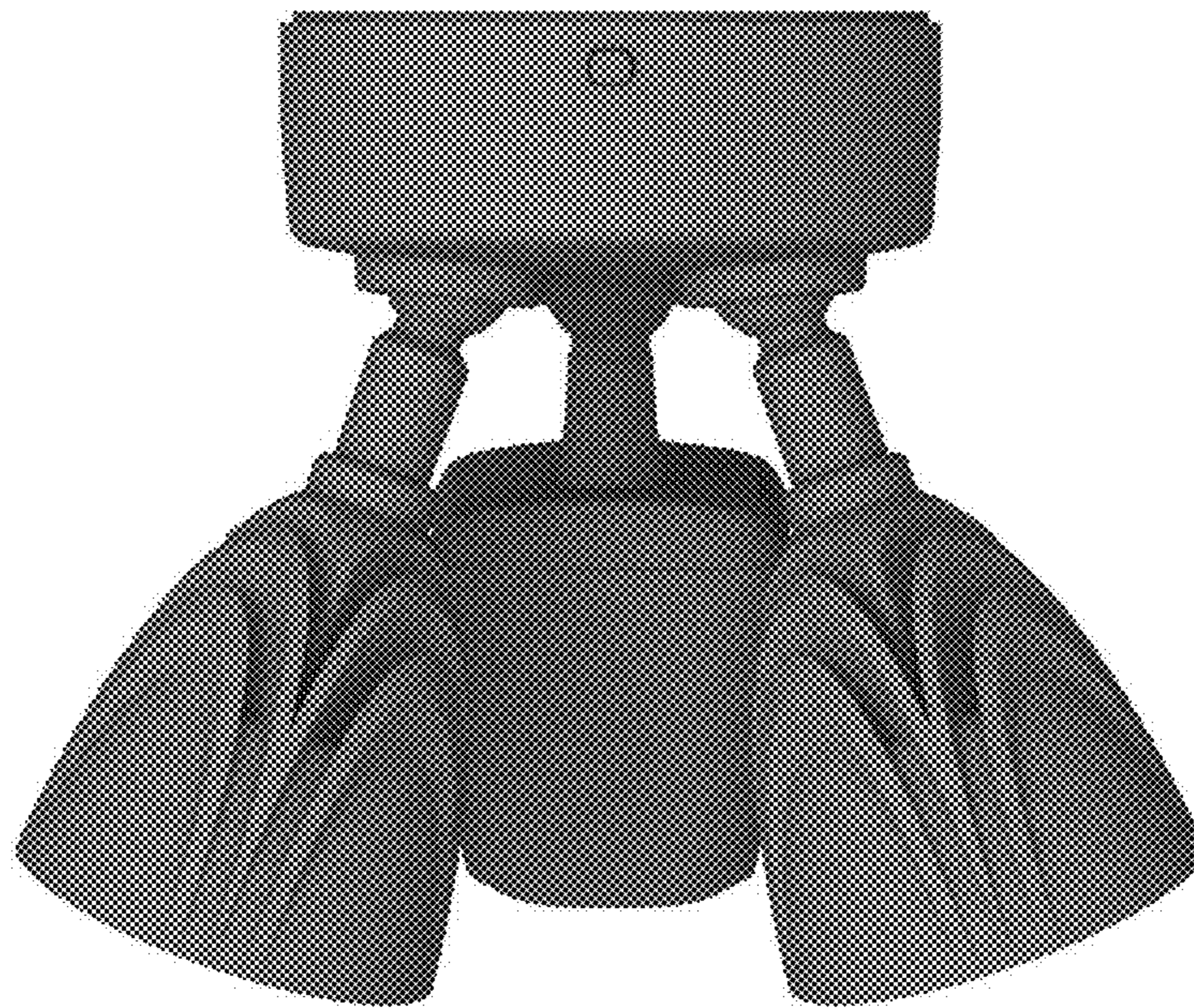


FIG. 4

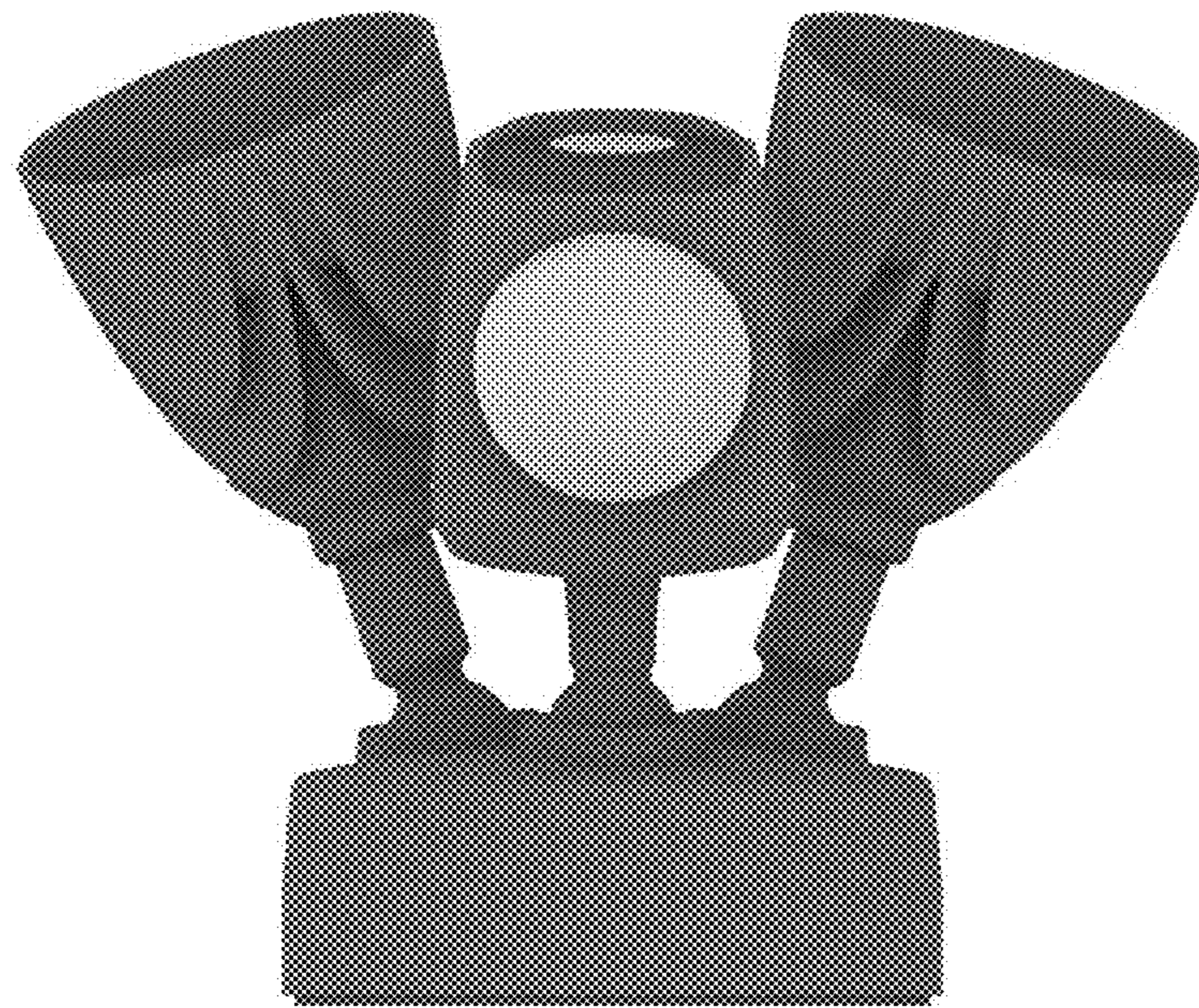


FIG. 5



FIG. 6



FIG. 7