



US00D901051S

(12) **United States Design Patent** (10) **Patent No.:** **US D901,051 S**
Petratos (45) **Date of Patent:** **** Nov. 3, 2020**

(54) **FLASHLIGHT WITH SCROLL-WHEEL DIMMER**

(71) Applicant: **Spyridon Petratos**, Long Beach, NY (US)

(72) Inventor: **Spyridon Petratos**, Long Beach, NY (US)

(**) Term: **15 Years**

(21) Appl. No.: **29/663,904**

(22) Filed: **Sep. 19, 2018**

(51) **LOC (12) Cl.** **26-02**

(52) **U.S. Cl.**
USPC **D26/46**

(58) **Field of Classification Search**
USPC D26/37–38, 40–42, 46, 49–50
CPC F21L 2003/00; F21L 4/00; F21L 4/005;
F21L 4/02; F21L 4/022; F21L 4/025;
F21L 4/027; F21L 4/04; F21L 4/045;
F21L 4/08; F21L 4/085

See application file for complete search history.

(56) **References Cited**

U.S. PATENT DOCUMENTS

D315,608 S *	3/1991	Petterson	D26/46
D328,145 S *	7/1992	Yuen	D26/46
5,138,538 A *	8/1992	Sperling	F21L 4/00
			200/60
D362,319 S *	9/1995	Bamber	D26/46
D466,636 S *	12/2002	Chun	D26/37
7,360,921 B1 *	4/2008	Greenspon	F21L 4/005
			362/167
D596,771 S *	7/2009	Lee	D26/46
D617,023 S *	6/2010	Rugendyke	D26/46
D670,844 S *	11/2012	von Waldthausen	D26/46
D671,250 S *	11/2012	Schrimmer	D26/46
D687,583 S *	8/2013	von Waldthausen	D26/46
D707,839 S *	6/2014	Bradley	D24/209
D730,282 S *	5/2015	Miller	D13/108

D731,687 S *	6/2015	Haws	D26/46
D737,490 S *	8/2015	Tompkin	D26/46
D740,986 S *	10/2015	Hine	D26/46
D749,506 S *	2/2016	Morgan	D13/108
D754,377 S *	4/2016	Nook	D26/38
D757,318 S *	5/2016	Evans	D26/46
D775,752 S *	1/2017	Nook	D26/38
D808,556 S *	1/2018	Patel	D26/46
D816,607 S *	5/2018	Roberts	D13/108
D838,273 S *	1/2019	Memke	D14/426
D842,516 S *	3/2019	Qiu	D26/49
D853,361 S *	7/2019	Ding	D14/225
D855,850 S *	8/2019	Brown	D26/46
D866,558 S *	11/2019	Shim	D14/435
2004/0100204 A1 *	5/2004	Chun	G01R 1/06788
			315/200 A
2005/0032490 A1 *	2/2005	Chun	F21L 4/027
			455/127.5
2018/0066792 A1 *	3/2018	Chen	F16M 11/10

* cited by examiner

Primary Examiner — Sheryl Lane
Assistant Examiner — Stacey L Hopkins
(74) *Attorney, Agent, or Firm* — Keeley DeAngelo LLP;
W Scott Keeley

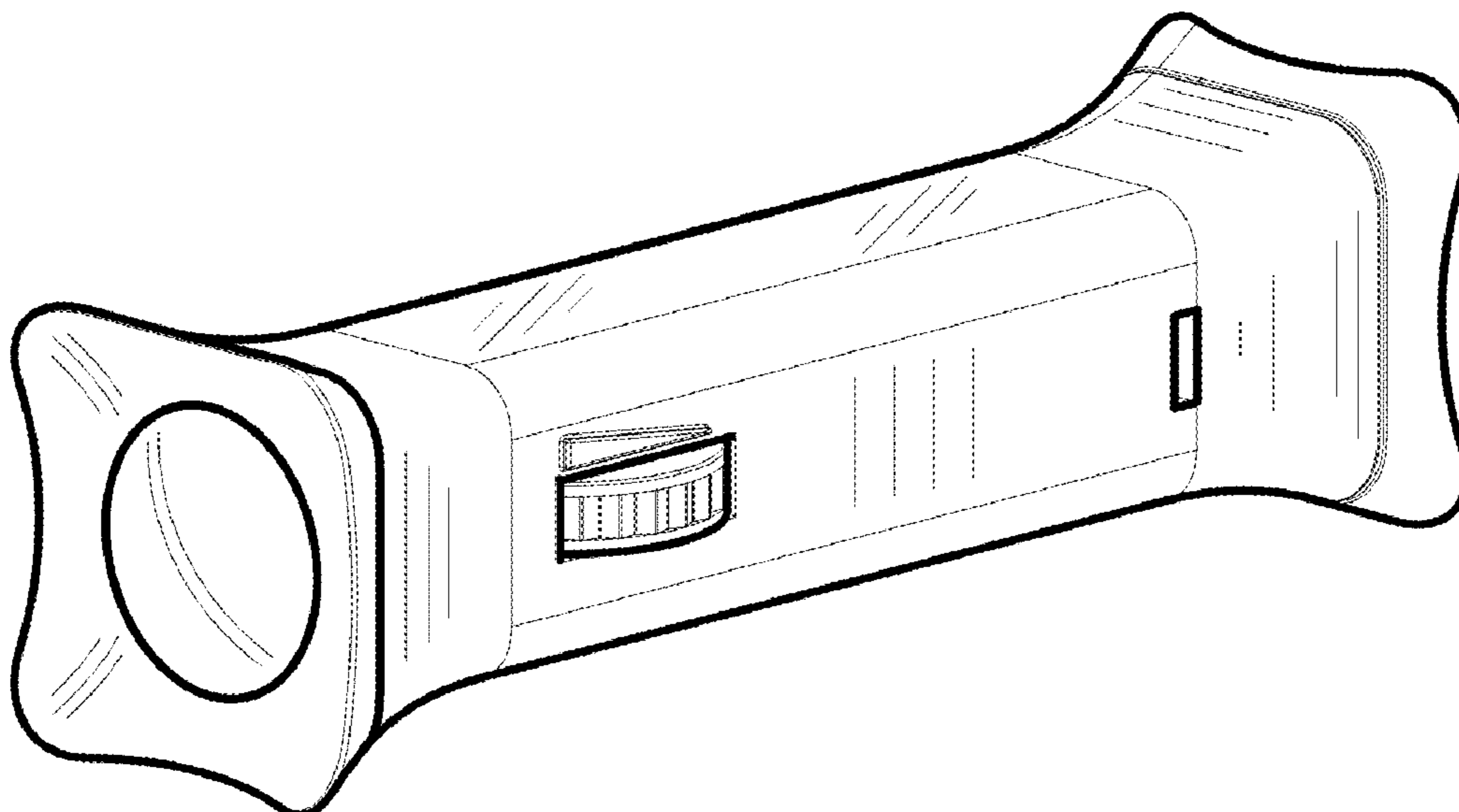
(57) **CLAIM**

The ornamental design for a flashlight with scroll-wheel dimmer, as shown and described.

DESCRIPTION

FIG. 1 is a front perspective view of a flashlight with scroll-wheel dimmer showing my new design; FIG. 2 is a rear perspective view thereof; FIG. 3 is an orthographic front view thereof; FIG. 4 is an orthographic right-side view thereof; FIG. 5 is an orthographic rear view thereof; FIG. 6 is an orthographic left-side view thereof; FIG. 7 is an orthographic top view thereof; and, FIG. 8 is an orthographic bottom view thereof.

1 Claim, 4 Drawing Sheets



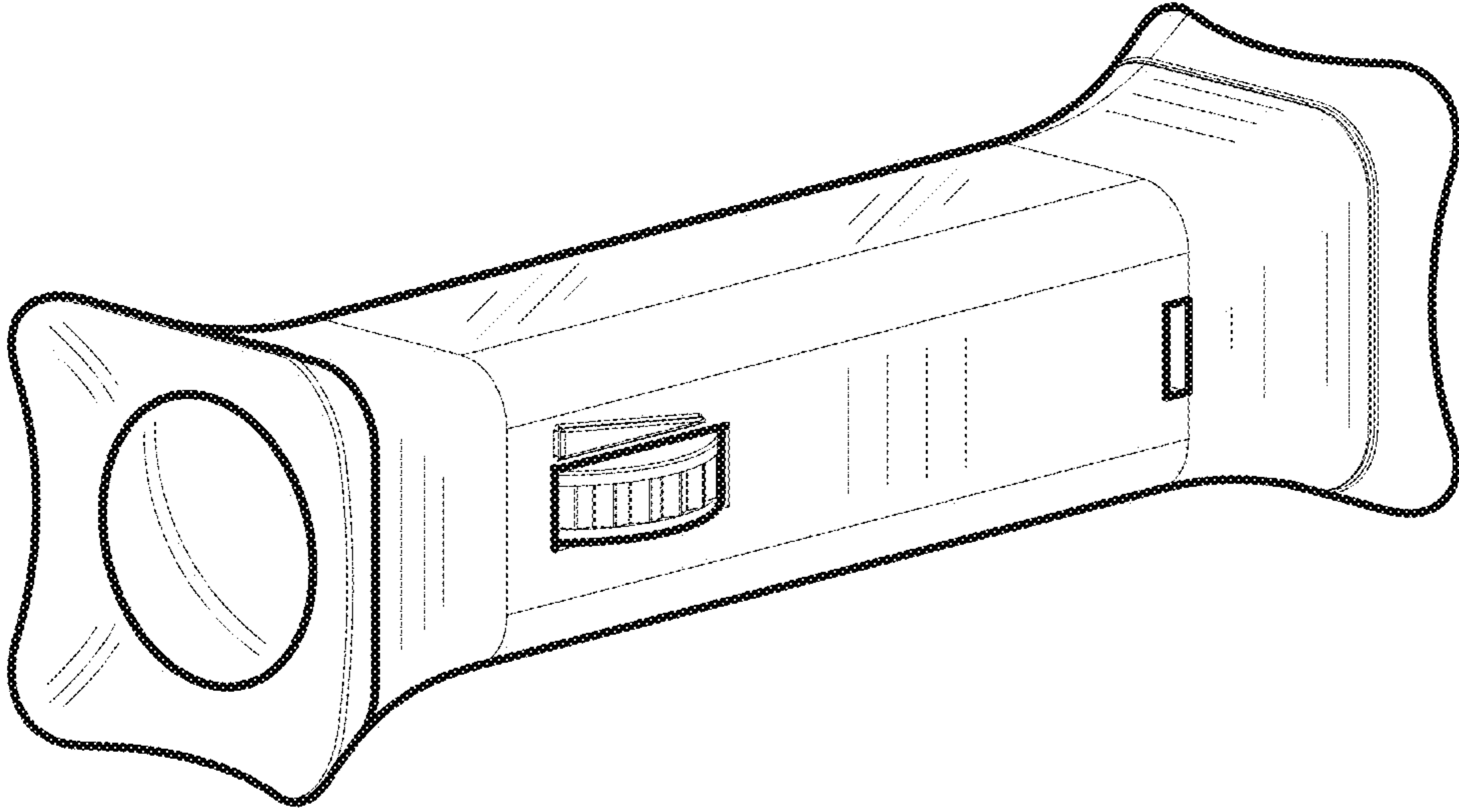


Figure 1

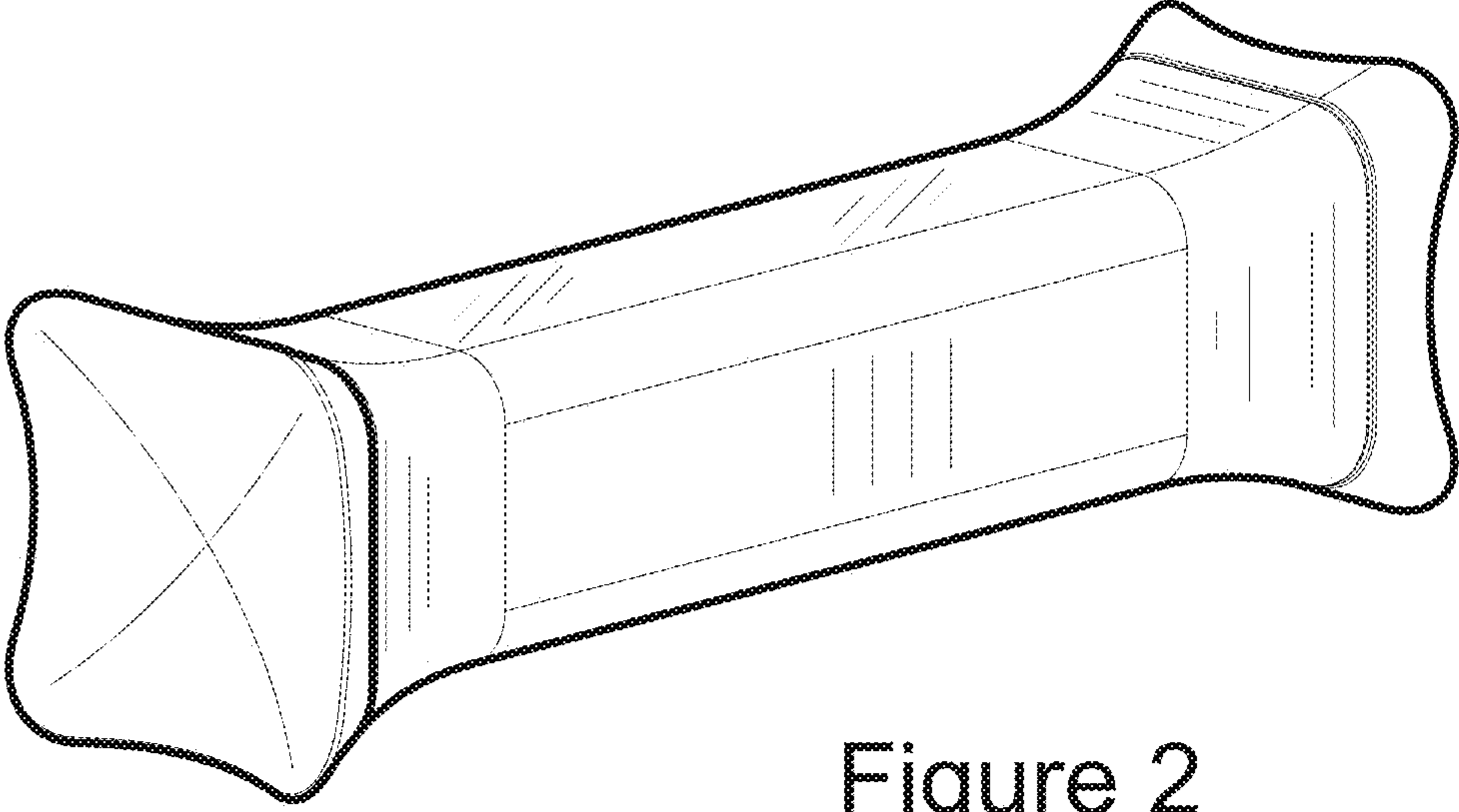


Figure 2

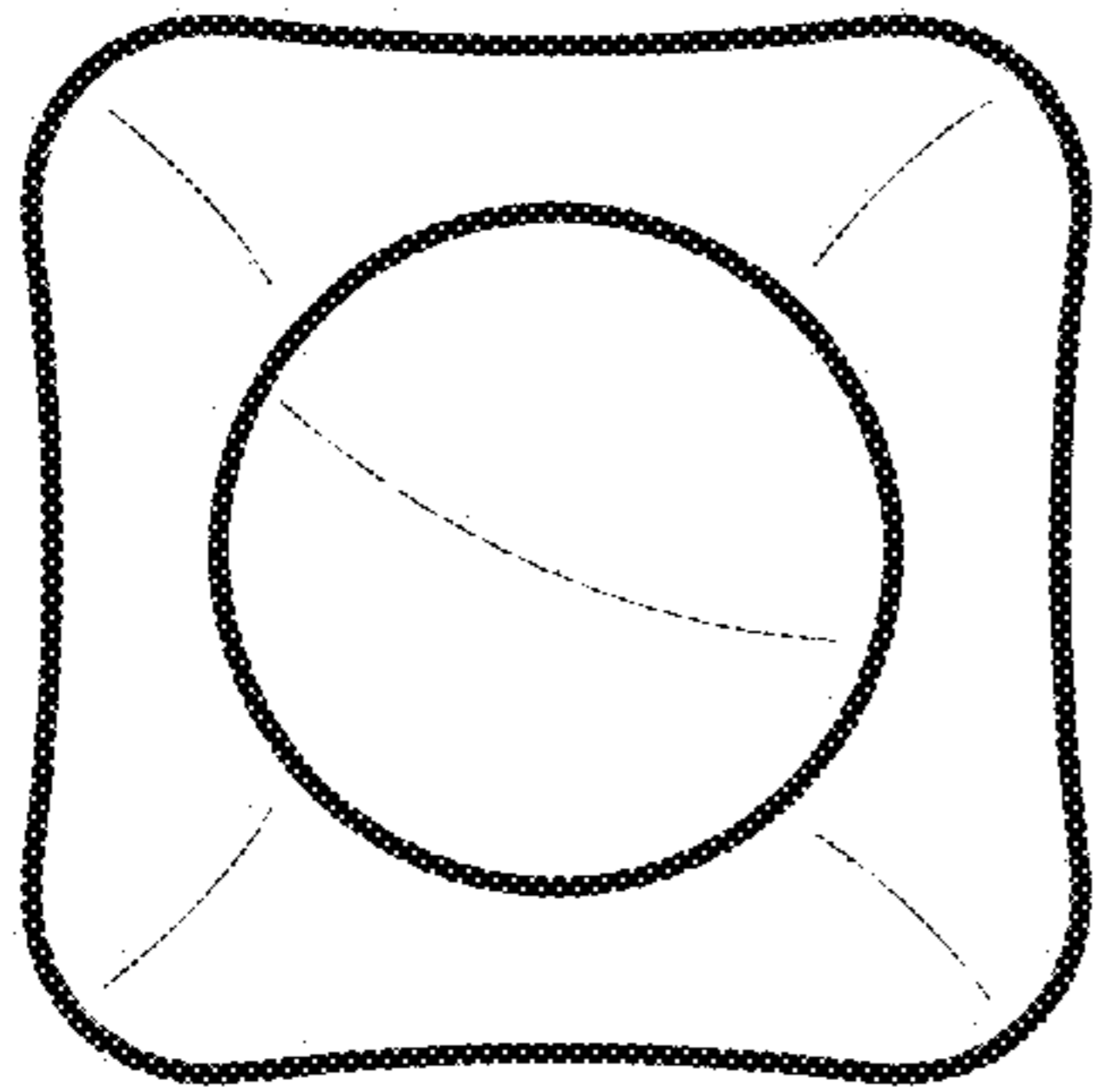


Figure 3

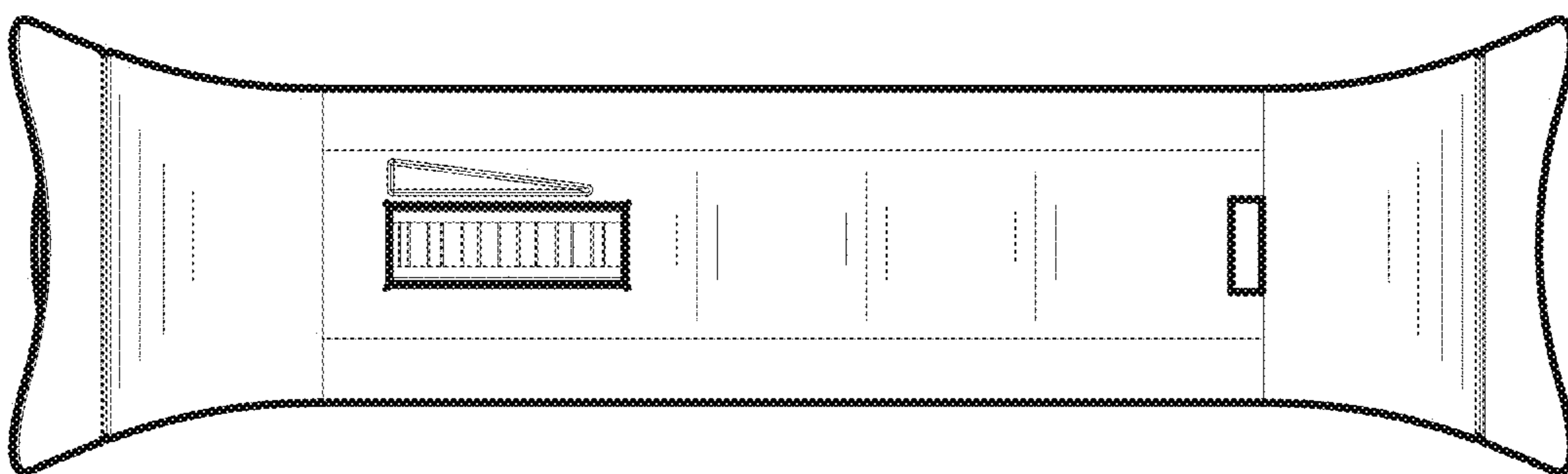


Figure 4

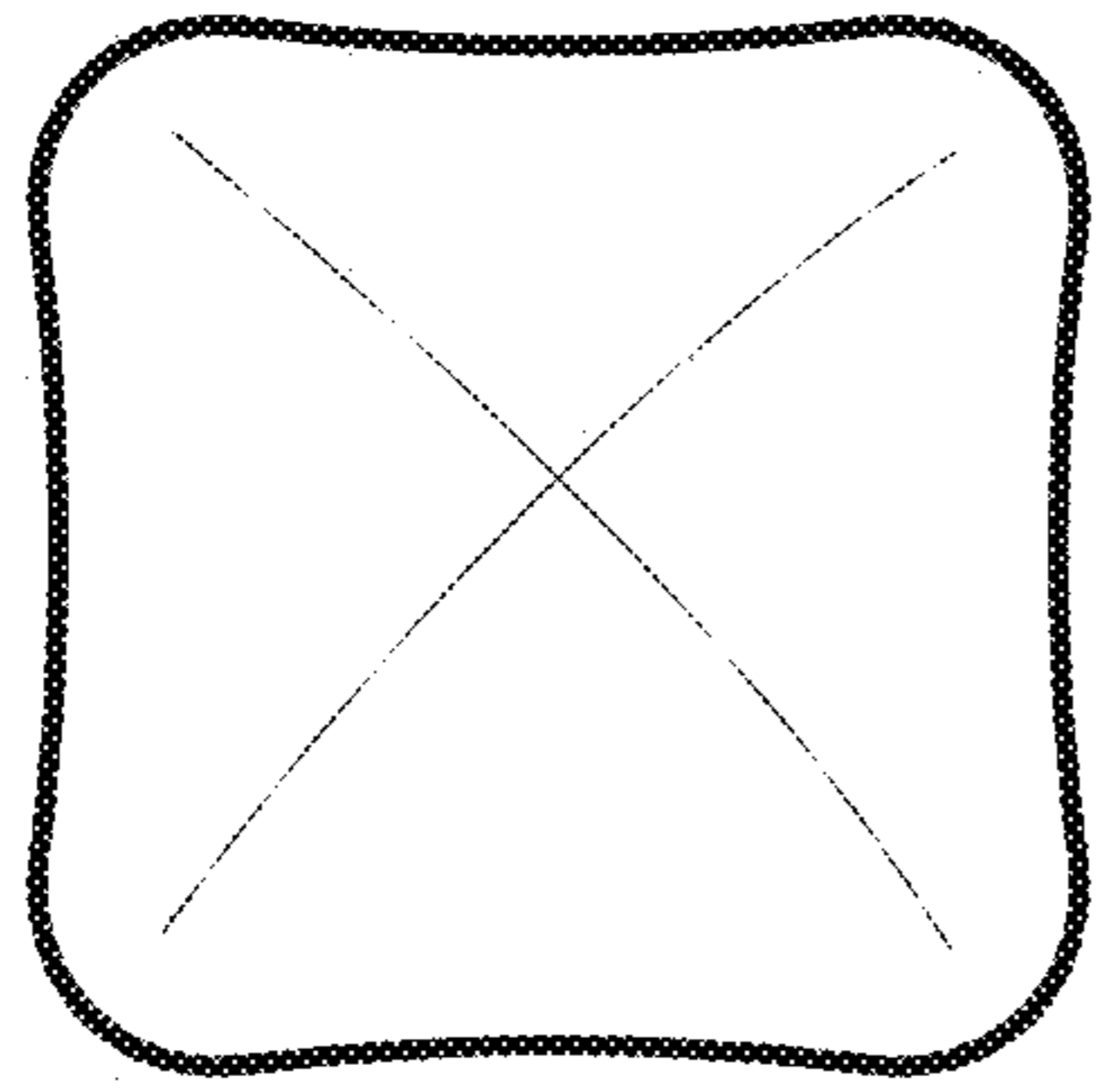


Figure 5

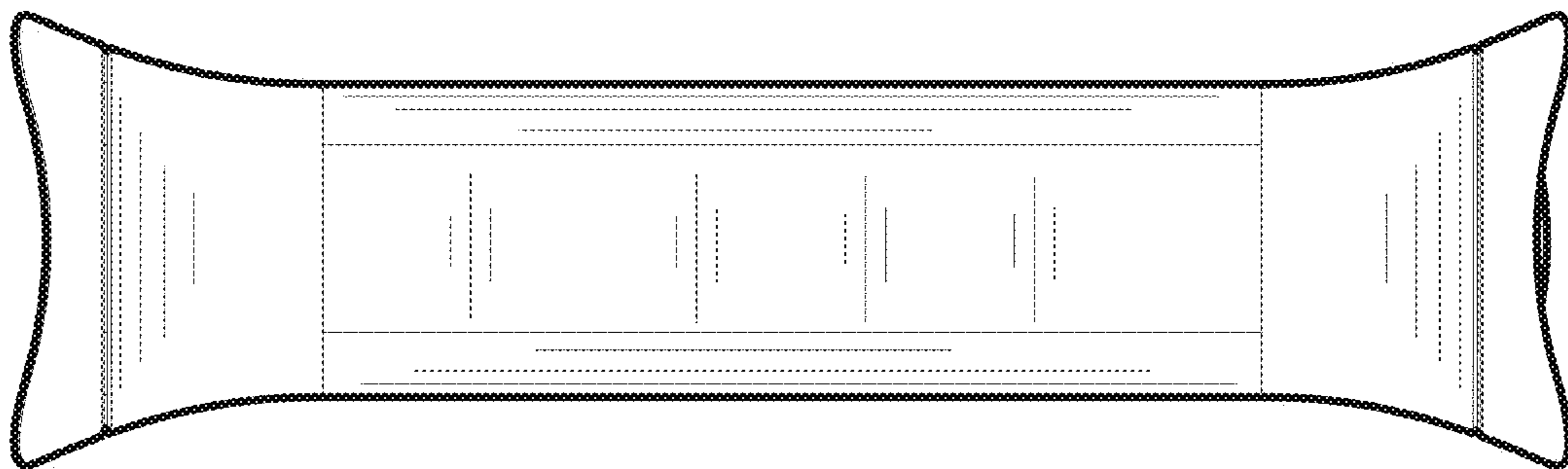


Figure 6

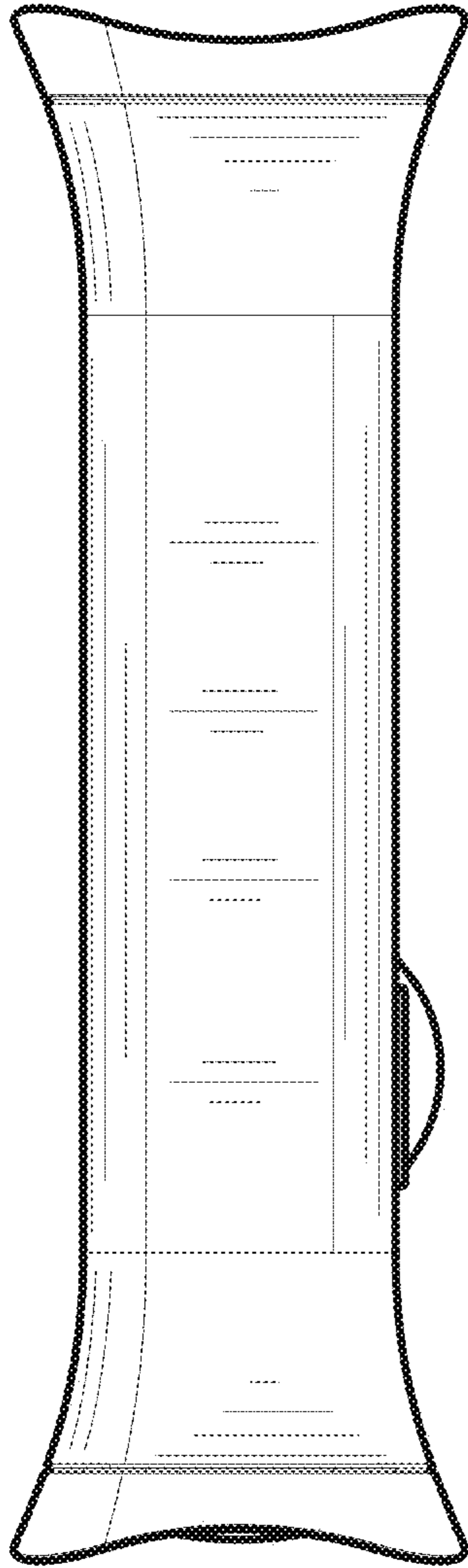


Figure 7

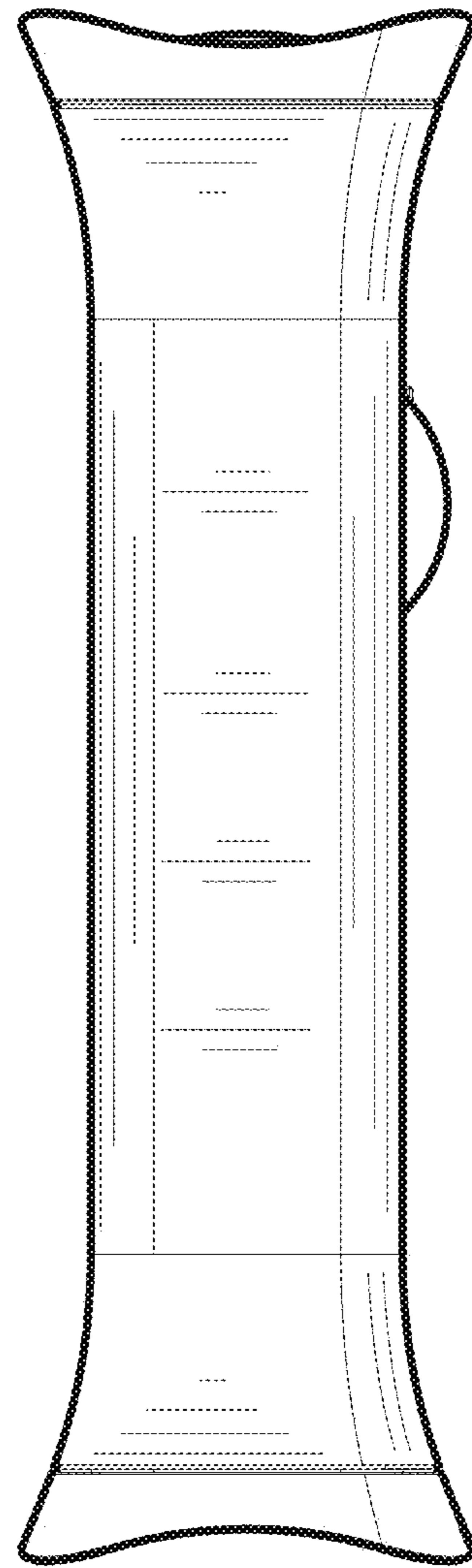


Figure 8