



US00D901049S

(12) **United States Design Patent** (10) **Patent No.:** **US D901,049 S**
Stowell et al. (45) **Date of Patent:** **** Nov. 3, 2020**

(54) **TRUCK CAB LIGHT SAFETY LIGHTING DEVICE**

(71) Applicant: **Martin L. Stowell**, Valencia, CA (US)

(72) Inventors: **Martin L. Stowell**, Valencia, CA (US);
Mark Santus, Daytona Beach, FL (US)

(73) Assignee: **Martin L. Stowell**, Valencia, CA (US)

(**) Term: **15 Years**

(21) Appl. No.: **29/685,795**

(22) Filed: **Mar. 29, 2019**

(51) **LOC (12) Cl.** **26-06**

(52) **U.S. Cl.**
USPC **D26/31**

(58) **Field of Classification Search**

USPC D26/28-36, 139
CPC F21S 48/00; F21S 48/10; F21S 48/115;
F21S 48/225; F21S 48/1233; F21S
48/1266; F21S 48/1388; F21S 48/2268;
F21V 21/04; F21V 29/004; B60Q 9/13;
B60Q 9/135; B60Q 9/1375

See application file for complete search history.

(56) **References Cited**

U.S. PATENT DOCUMENTS

4,891,625	A	1/1990	VanRiper et al.	
D331,472	S *	12/1992	Campbell	D20/10
D331,980	S *	12/1992	Henderson	D20/10
5,258,893	A	11/1993	Finneyfrock	
5,839,231	A	11/1998	Gebhart et al.	
6,799,873	B2	10/2004	Fox	
D499,198	S *	11/2004	Cowan	D26/31
D520,657	S *	5/2006	Hoshikawa	D26/31
7,182,386	B2	2/2007	Damian	
7,303,320	B1	12/2007	Ashley	
8,047,691	B2	11/2011	Leese et al.	
8,956,020	B2	2/2015	Graves et al.	

9,403,476	B2	8/2016	Hausler et al.
2004/0227627	A1	11/2004	Li
2014/0287600	A1	9/2014	Graves et al.
2014/0301101	A1	10/2014	Russ
2014/0333429	A1	11/2014	De La Rosa et al.
2016/0052445	A1	2/2016	Huang
2017/0313244	A1	11/2017	Luciew

* cited by examiner

Primary Examiner — Marcus A Jackson

(74) *Attorney, Agent, or Firm* — Brian S. Steinberger;
Hilary F. Steinberger; Law Offices of Brian S.
Steinberger, P.A.

(57) **CLAIM**

The ornamental design for a truck cab light safety lighting unit, as shown and described.

DESCRIPTION

FIG. 1 is an upper front left perspective view of the truck cab light safety lighting unit.

FIG. 2 is an upper rear right perspective view of the truck cab light safety lighting unit of FIG. 1.

FIG. 3 is a front view of the truck cab light safety lighting unit of FIG. 1.

FIG. 4 is a rear view of the truck cab light safety lighting unit of FIG. 1.

FIG. 5 is a left side view of the truck cab light safety lighting unit of FIG. 1.

FIG. 6 is a right side view of the truck cab light safety lighting unit of FIG. 1.

FIG. 7 is a top view of the truck cab light safety lighting unit of FIG. 1; and,

FIG. 8 is a bottom view of the truck cab light safety lighting unit of FIG. 1.

The broken line showing of the rear portion and wire is included for the purpose of illustrating only and forms no part of the claimed design.

1 Claim, 5 Drawing Sheets

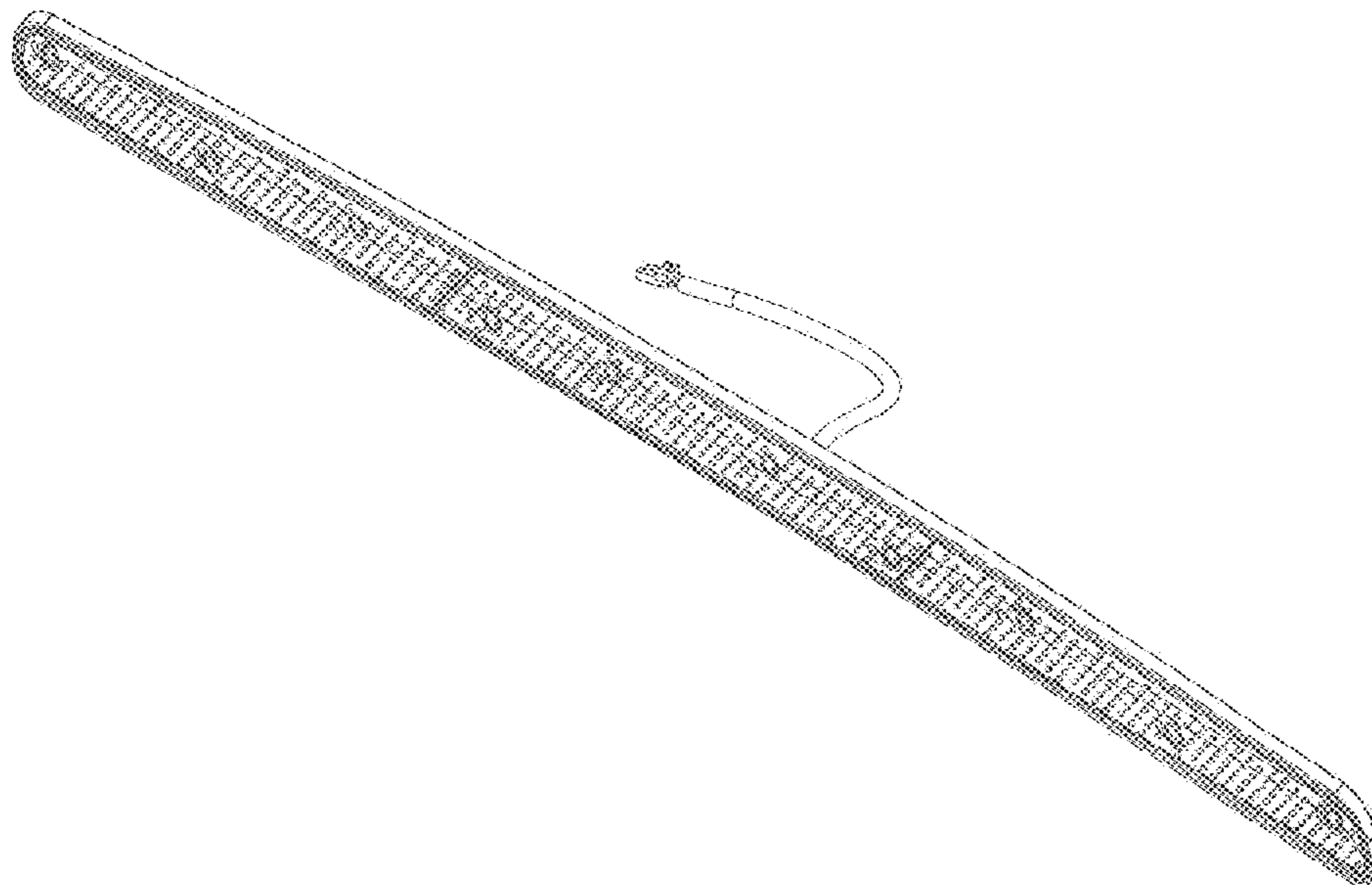


FIG. 1

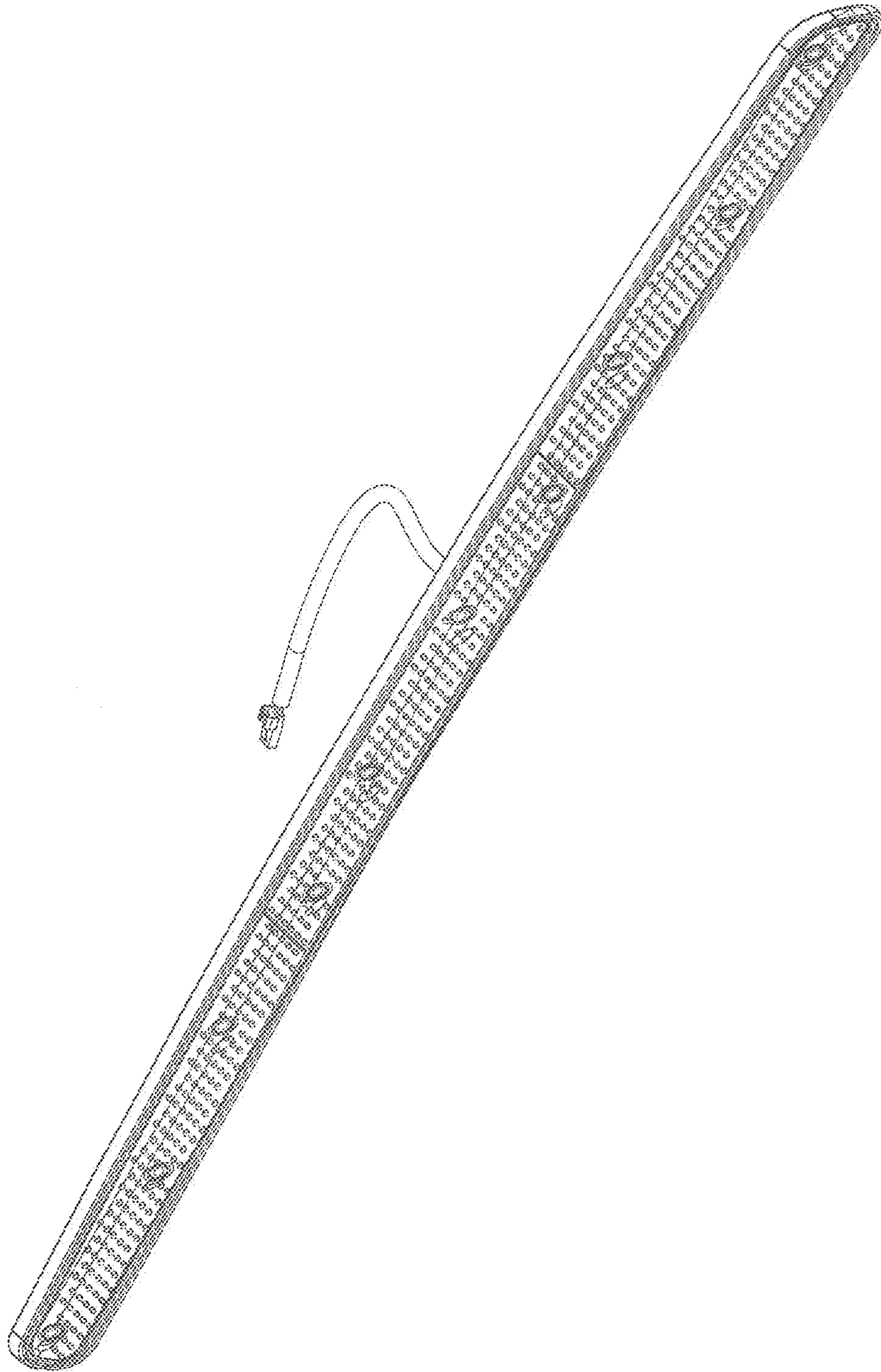


FIG. 2

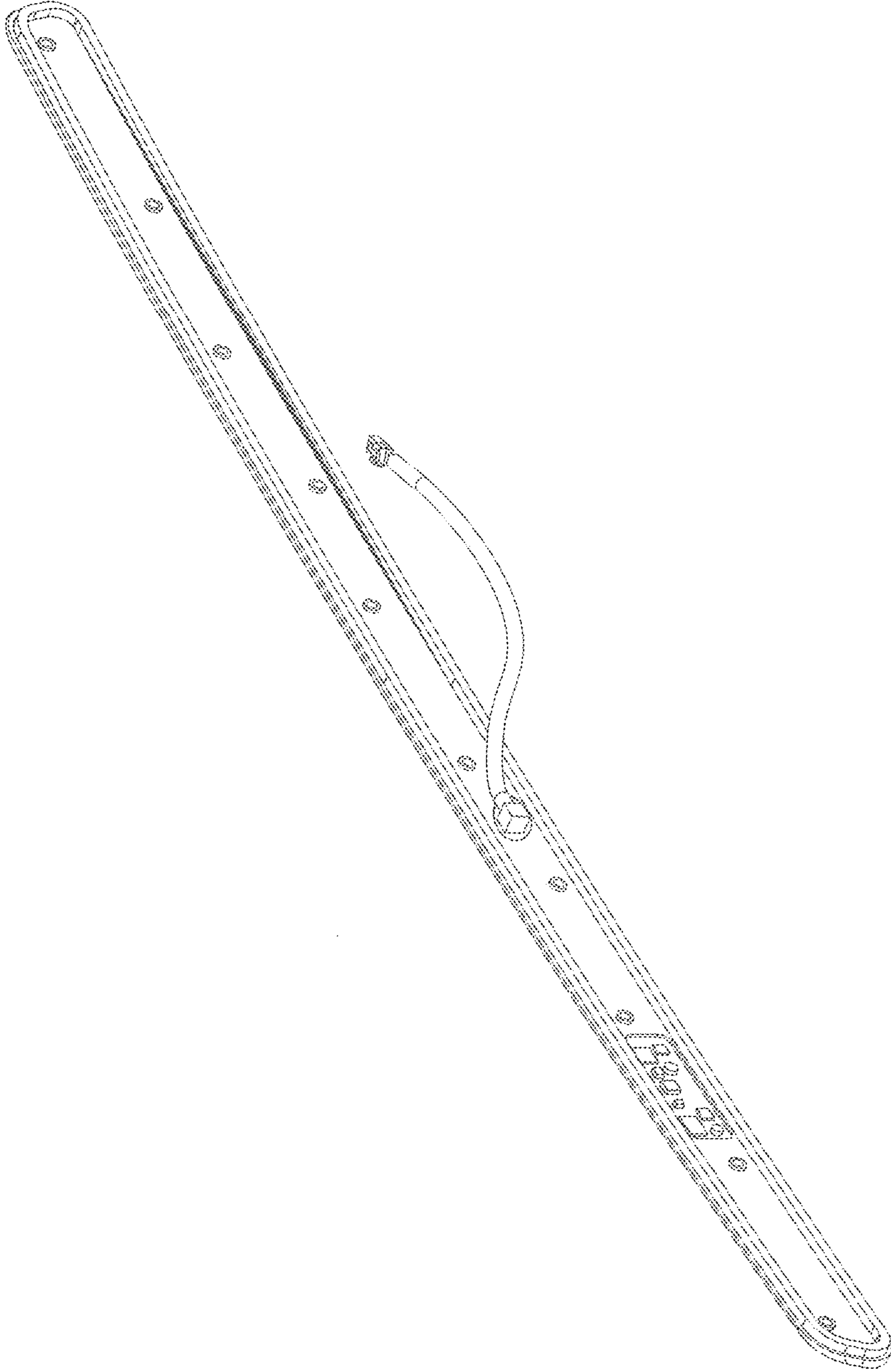


FIG. 3



FIG. 4



FIG. 5

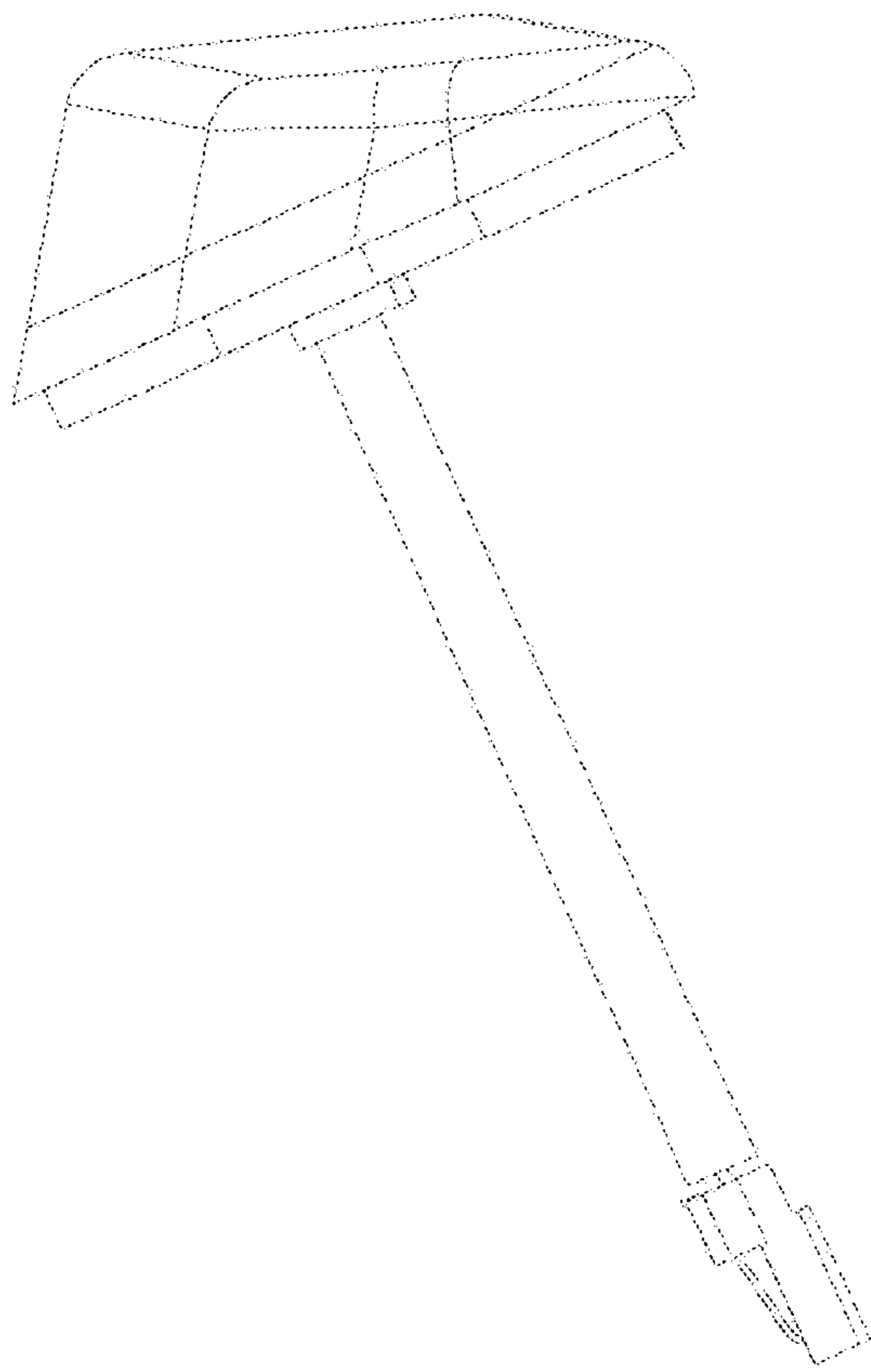


FIG. 6

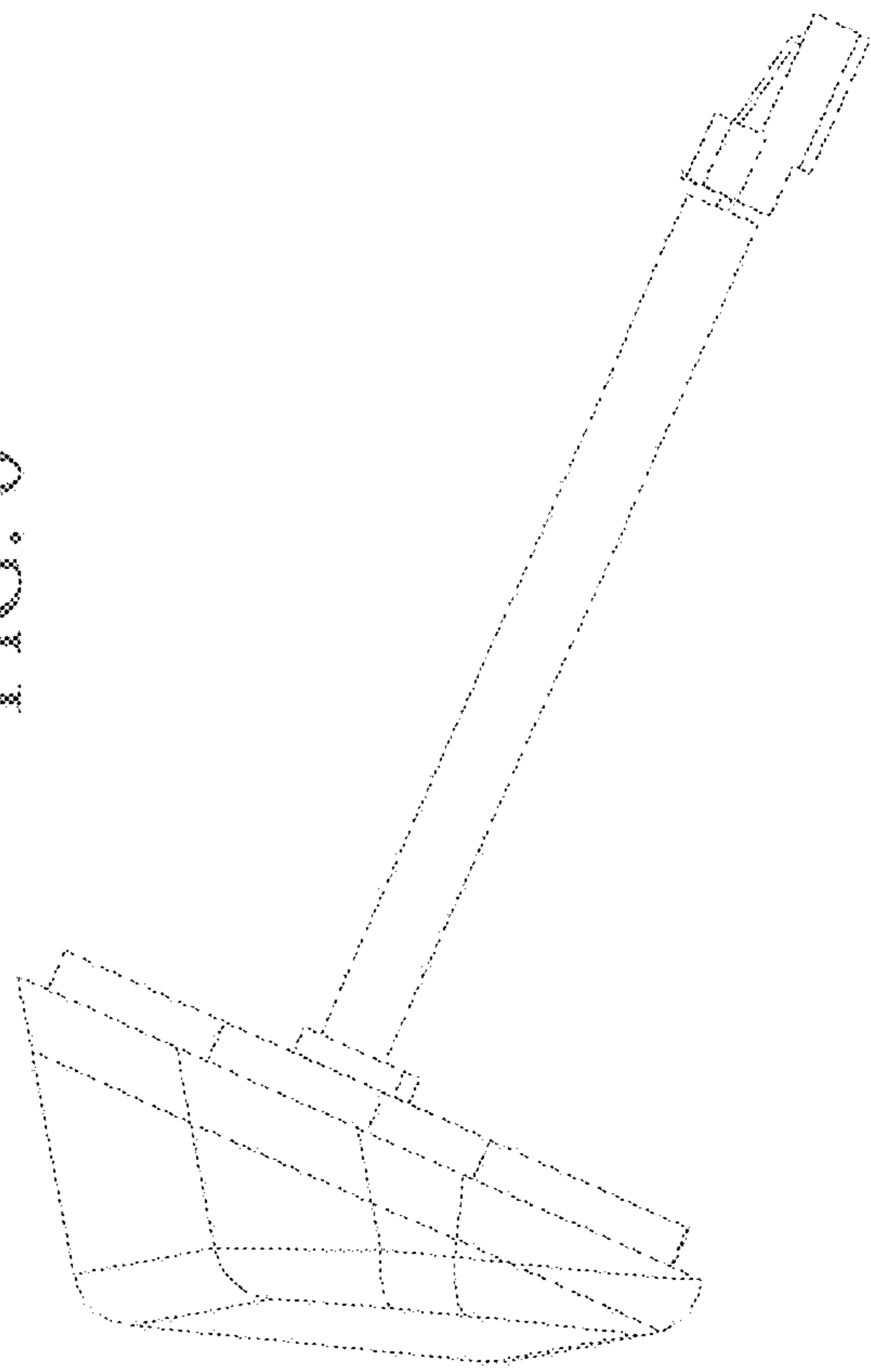


FIG. 7



FIG. 8

