



US00D901047S

(12) **United States Design Patent**  
**Zou et al.**

(10) **Patent No.:** **US D901,047 S**

(45) **Date of Patent:** **\*\* Nov. 3, 2020**

(54) **HEADLIGHT**

(71) Applicants: **Xu-Tao Zou**, Hunan Province (CN);  
**Lan-Yan Jiang**, Hunan Province (CN)

(72) Inventors: **Xu-Tao Zou**, Hunan Province (CN);  
**Lan-Yan Jiang**, Hunan Province (CN)

(73) Assignee: **Guangzhou Chengguang Electronic  
Technology Co., Ltd.**, Guangzhou (CN)

(\*\*) Term: **15 Years**

(21) Appl. No.: **29/707,287**

(22) Filed: **Sep. 27, 2019**

(51) **LOC (12) Cl.** ..... **26-06**

(52) **U.S. Cl.**  
USPC ..... **D26/28**

(58) **Field of Classification Search**  
USPC ..... D26/28-36, 139  
CPC ..... F21S 48/00; F21S 48/10; F21S 48/115;  
F21S 48/225; F21S 48/1233; F21S  
48/1266; F21S 48/1388; F21S 48/2268;  
F21V 21/04; F21V 29/004; B60Q 9/13;  
B60Q 9/135; B60Q 9/1375

See application file for complete search history.

(56) **References Cited**

U.S. PATENT DOCUMENTS

D530,842 S *	10/2006	Fukuda	.....	D26/28
D745,726 S *	12/2015	McMahan	.....	D26/28
D746,496 S *	12/2015	Loeb	.....	D26/28
D747,515 S *	1/2016	McMahan	.....	D26/28
D749,246 S *	2/2016	Thole	.....	D26/28
D814,080 S *	3/2018	Ha	.....	D26/28
D818,157 S *	5/2018	Zipfel	.....	D26/28
D818,163 S *	5/2018	Ha	.....	D26/28

\* cited by examiner

*Primary Examiner* — Marcus A Jackson

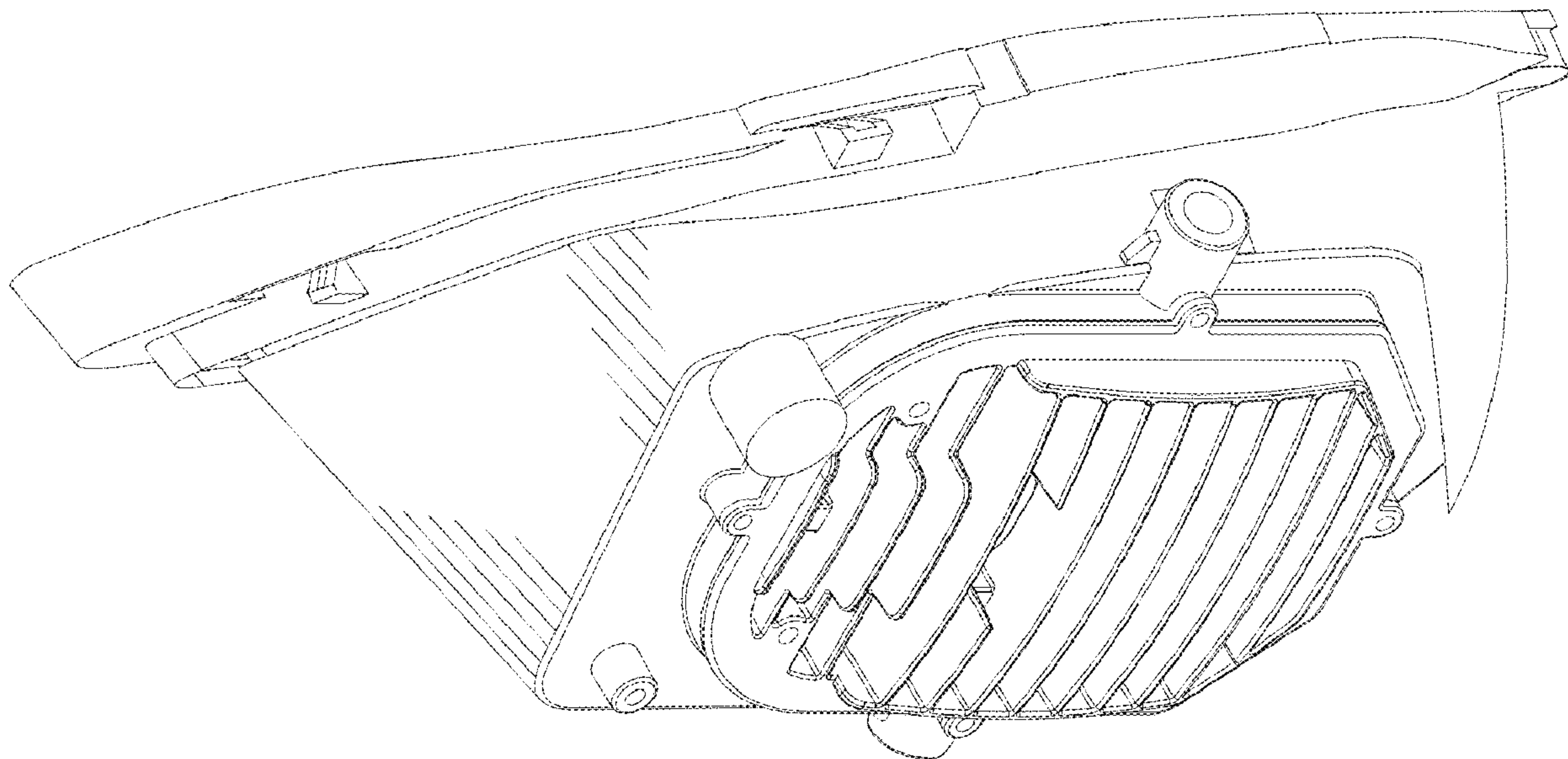
(57) **CLAIM**

The ornamental design for a headlight, as shown and described.

**DESCRIPTION**

FIG. 1 is a perspective view of a headlight showing my new design;  
FIG. 2 is a front elevational view thereof;  
FIG. 3 is a top plan view thereof;  
FIG. 4 is a left side elevational view thereof;  
FIG. 5 is a rear elevational view thereof;  
FIG. 6 is a right side view thereof; and,  
FIG. 7 is a bottom plan view thereof.

**1 Claim, 7 Drawing Sheets**



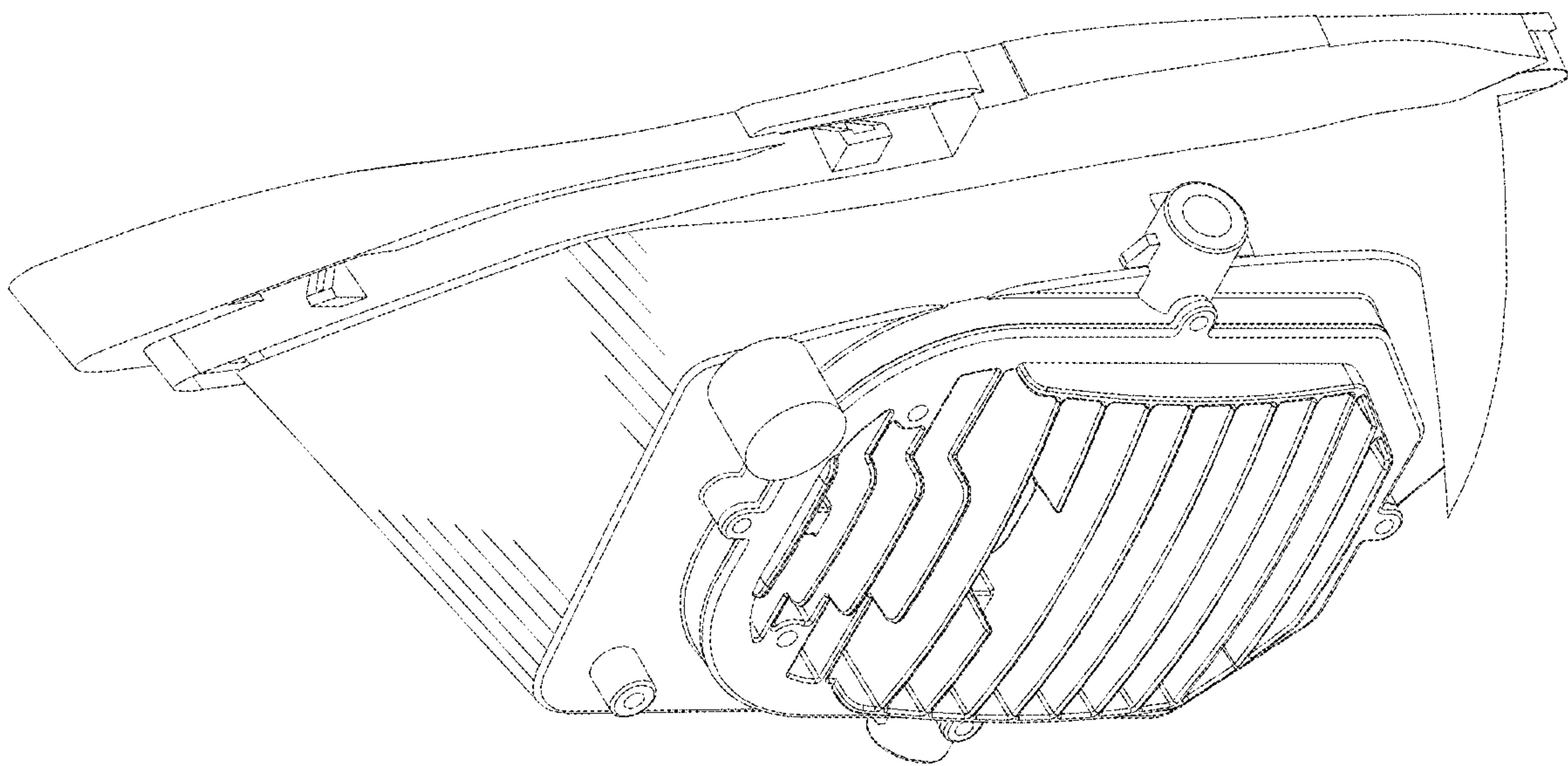


FIG. 1

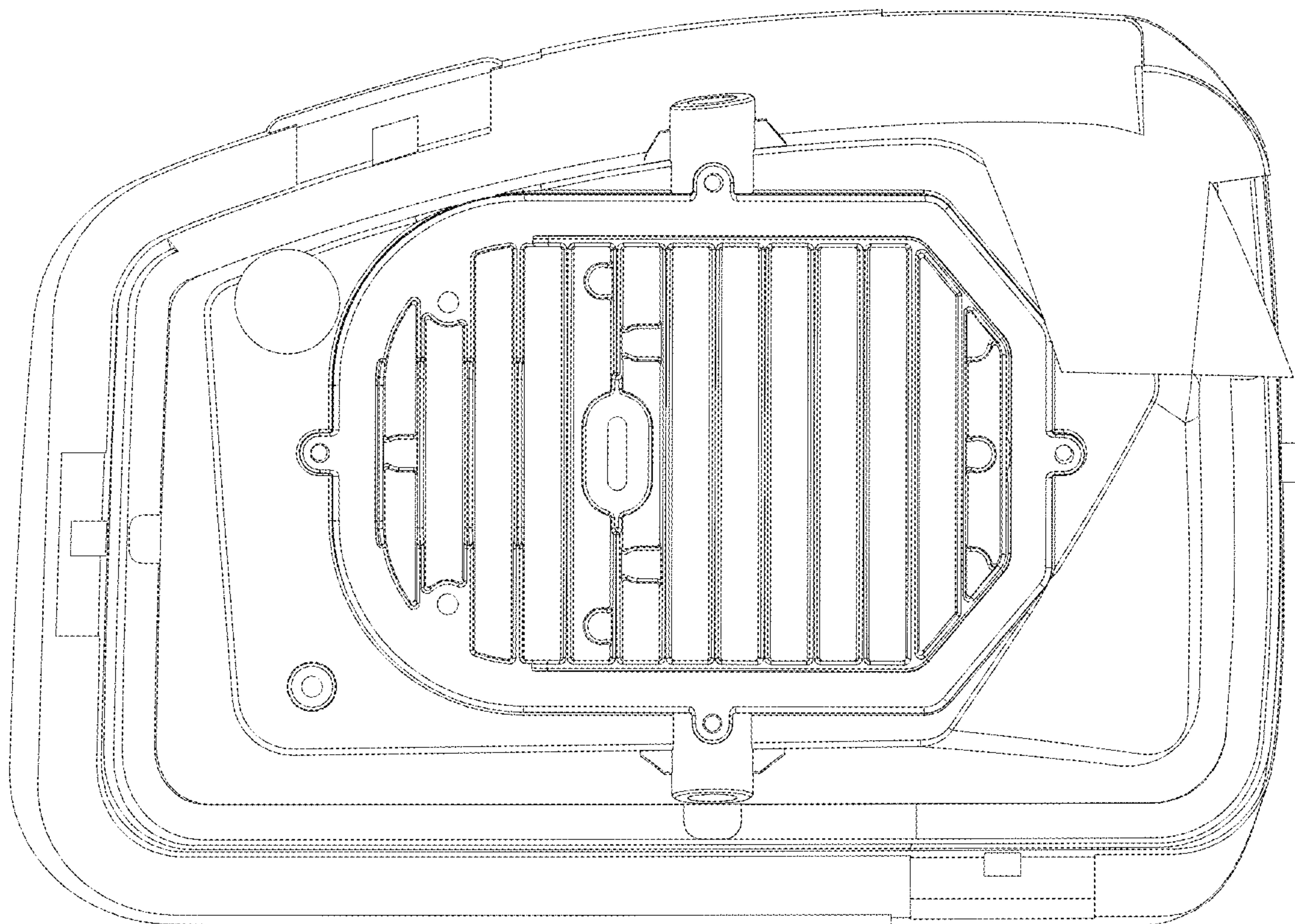


FIG. 2

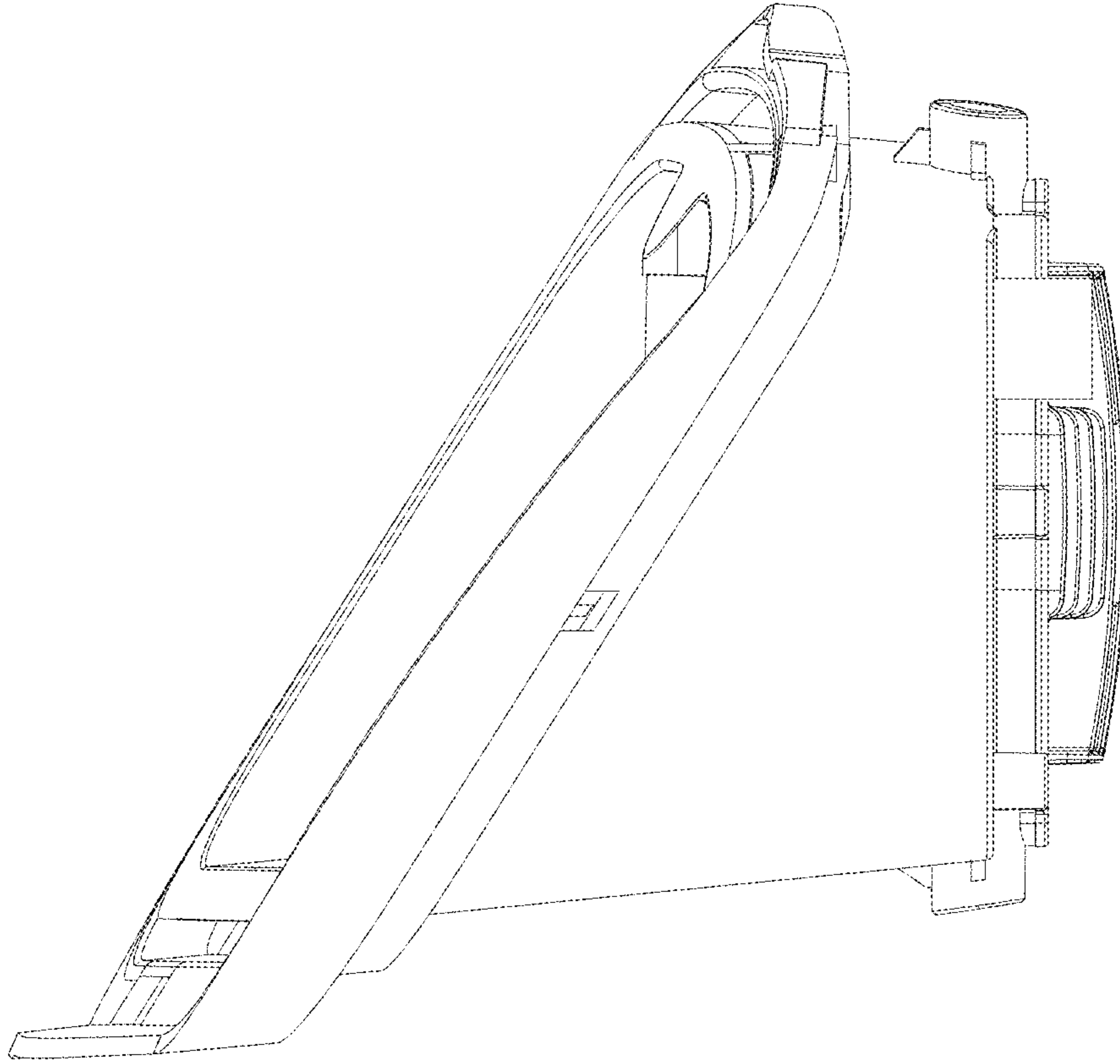


FIG. 3



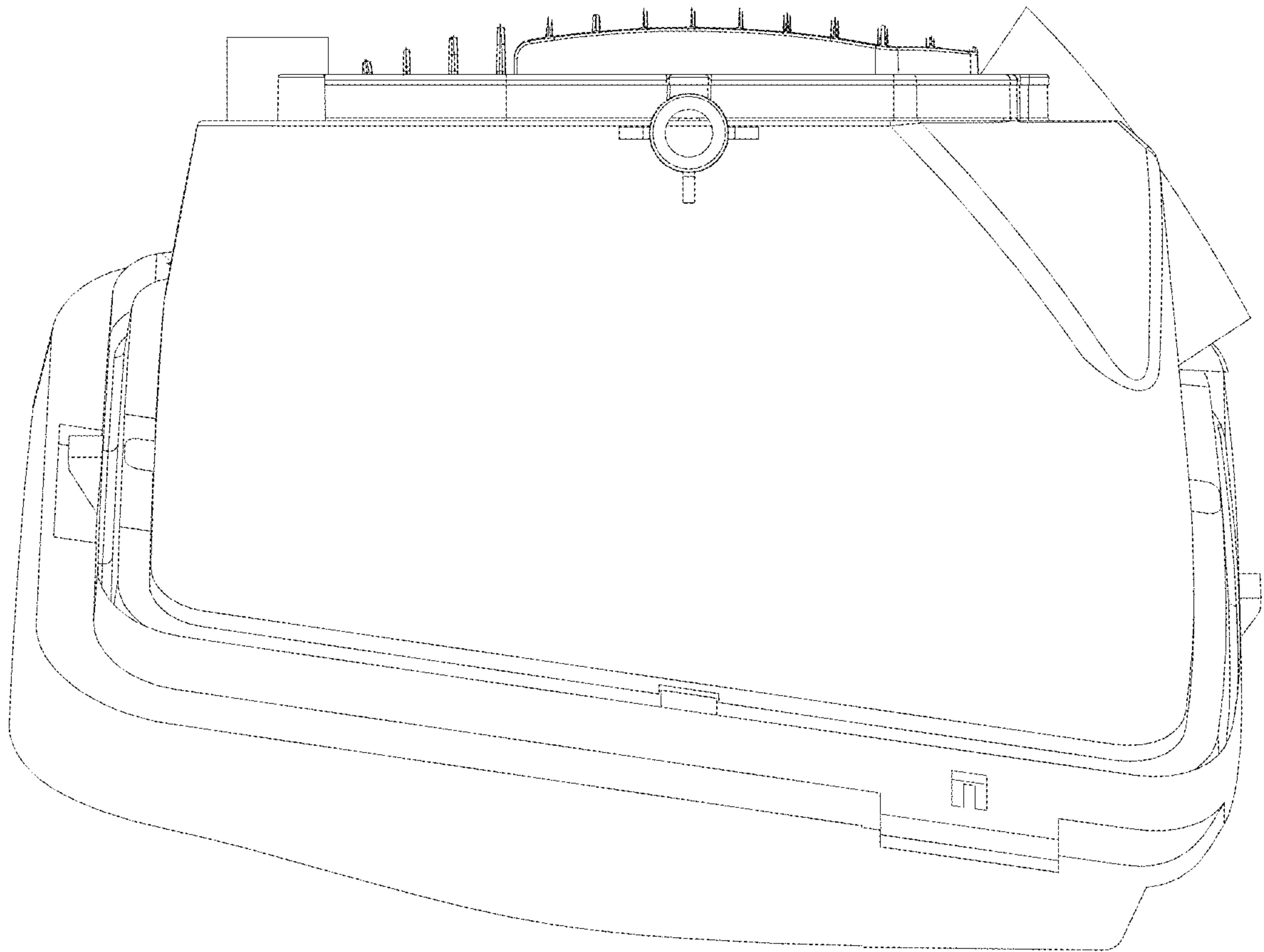


FIG. 4

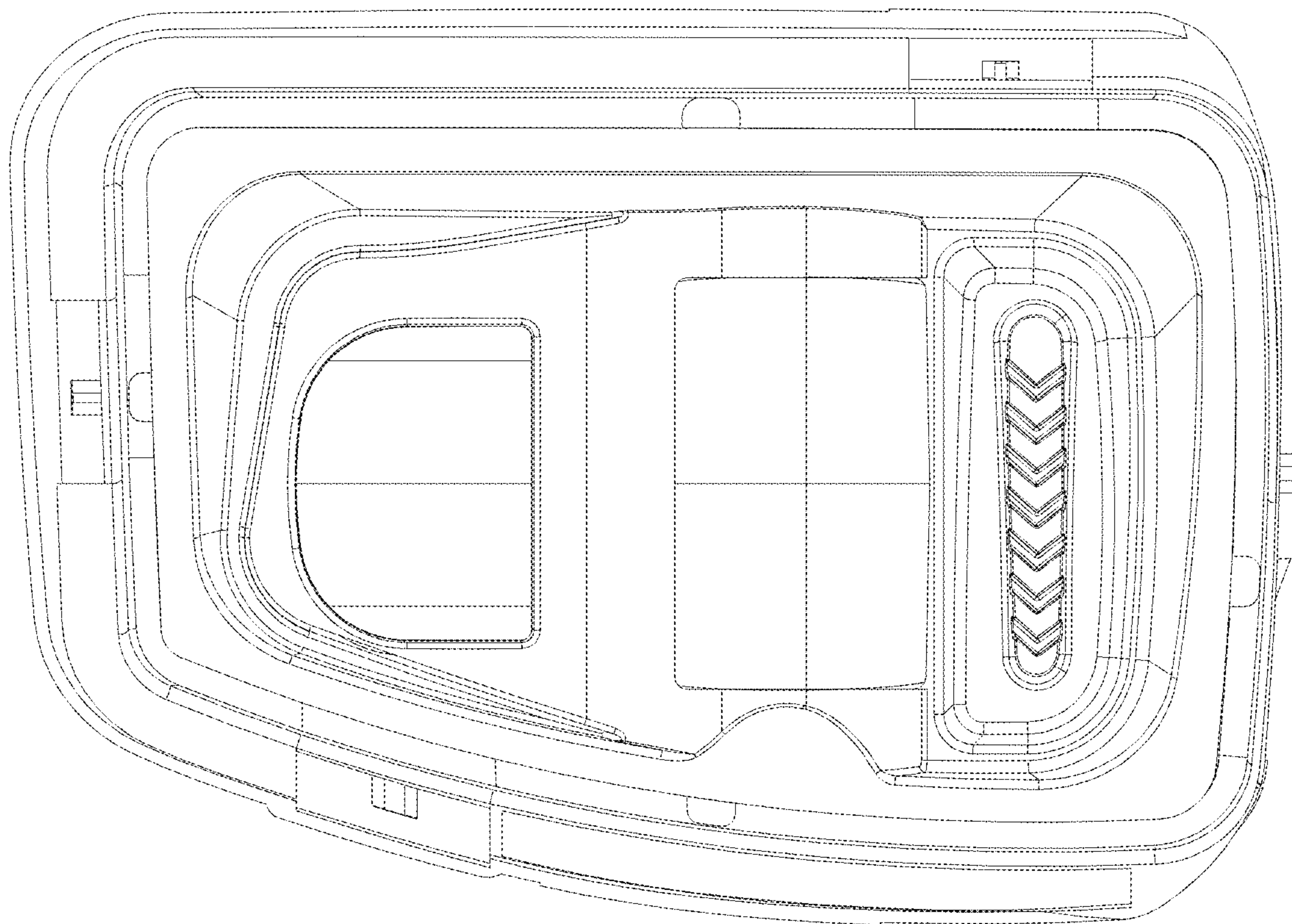


FIG. 5

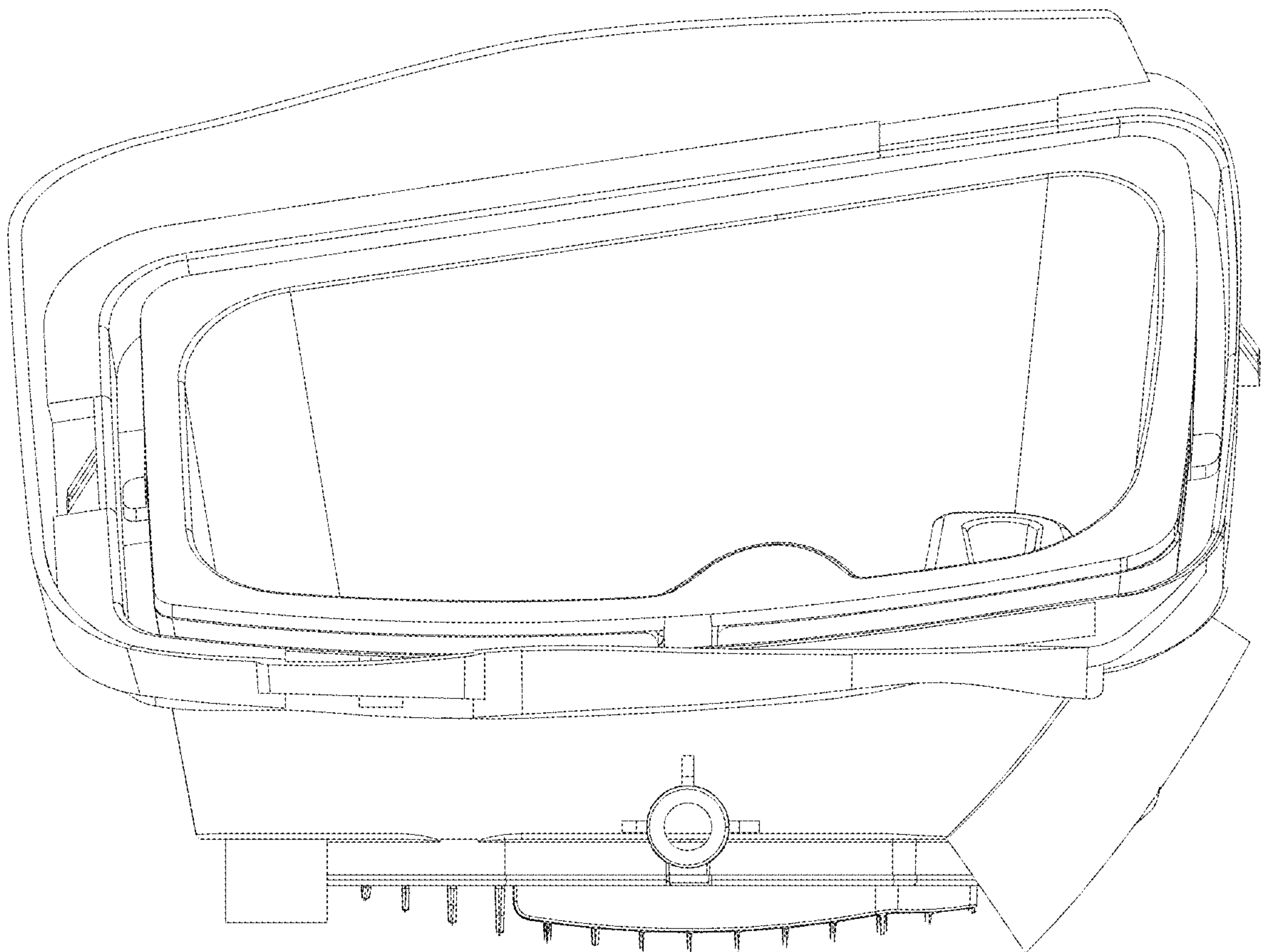


FIG. 6

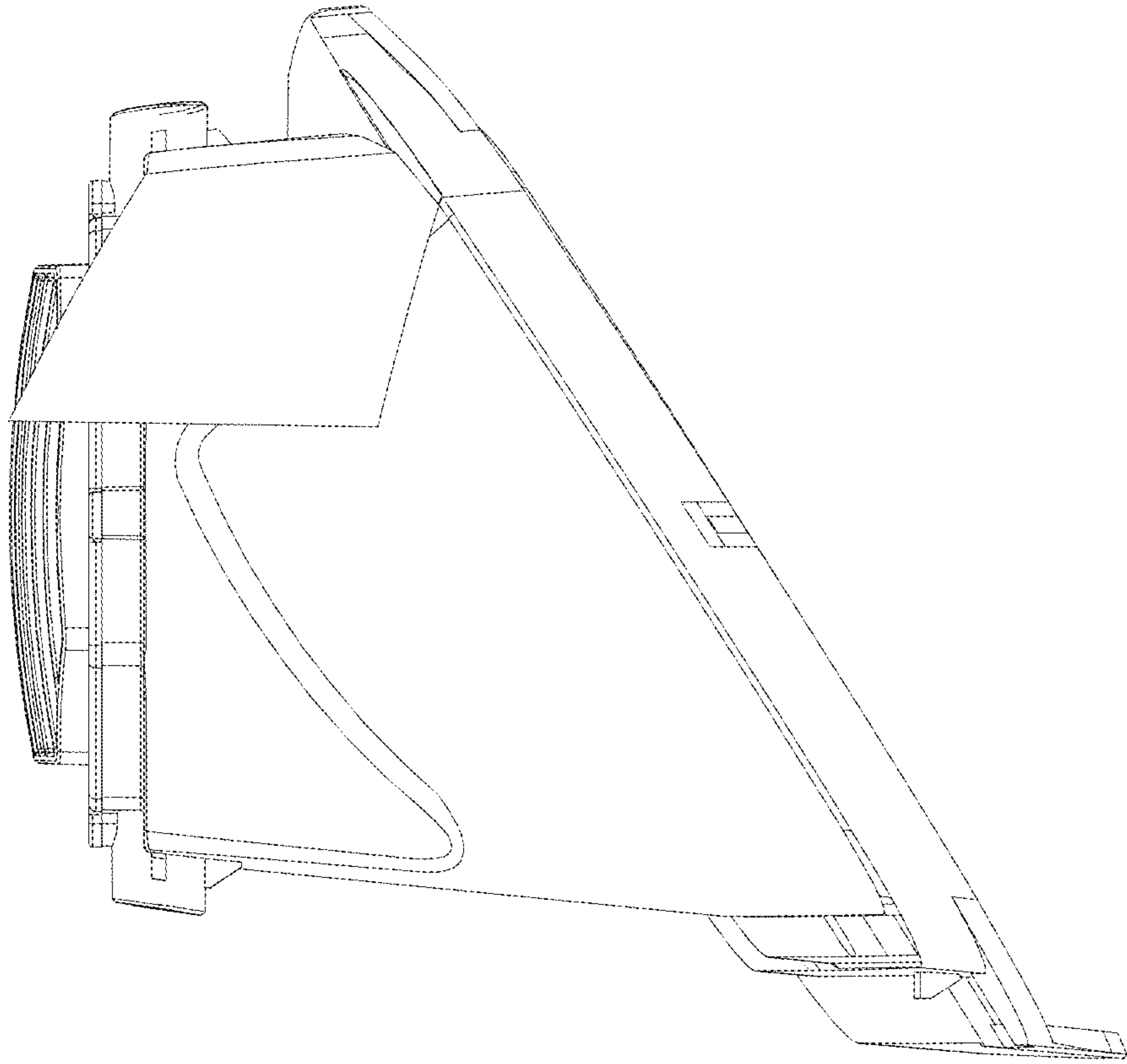


FIG. 7