



US00D901046S

(12) **United States Design Patent** (10) **Patent No.:** **US D901,046 S**
Yang (45) **Date of Patent:** **** Nov. 3, 2020**

(54) **VEHICLE TAIL LIGHT**
(71) Applicant: **SONAR AUTO PARTS CO., LTD.**,
New Taipei (TW)
(72) Inventor: **Hsiu-Pen Yang**, New Taipei (TW)
(73) Assignee: **SONAR AUTO PARTS CO., LTD.**,
New Taipei (TW)
(**) Term: **15 Years**
(21) Appl. No.: **29/704,302**
(22) Filed: **Sep. 4, 2019**
(51) **LOC (12) Cl.** **26-06**
(52) **U.S. Cl.**
USPC **D26/28**
(58) **Field of Classification Search**
USPC D26/28-36, 139
CPC F21S 48/00; F21S 48/10; F21S 48/115;
F21S 48/225; F21S 48/1233; F21S
48/1266; F21S 48/1388; F21S 48/2268;
F21V 21/04; F21V 29/004; B60Q 9/13;
B60Q 9/135; B60Q 9/1375
See application file for complete search history.

D735,911 S * 8/2015 O'Donnell D26/28
D744,678 S * 12/2015 Lai D26/28
D745,725 S * 12/2015 McMahan D26/28
D761,458 S * 7/2016 Chung D26/28
D770,068 S * 10/2016 Kapitonov D26/28
D771,294 S * 11/2016 Tsai D26/28
D792,618 S * 7/2017 Wu D26/28
D796,708 S * 9/2017 Lai D26/28

* cited by examiner

Primary Examiner — Marcus A Jackson
(74) *Attorney, Agent, or Firm* — Li & Cai Intellectual
Property Office

(57) **CLAIM**

The ornamental design for a vehicle tail light, as shown and described.

DESCRIPTION

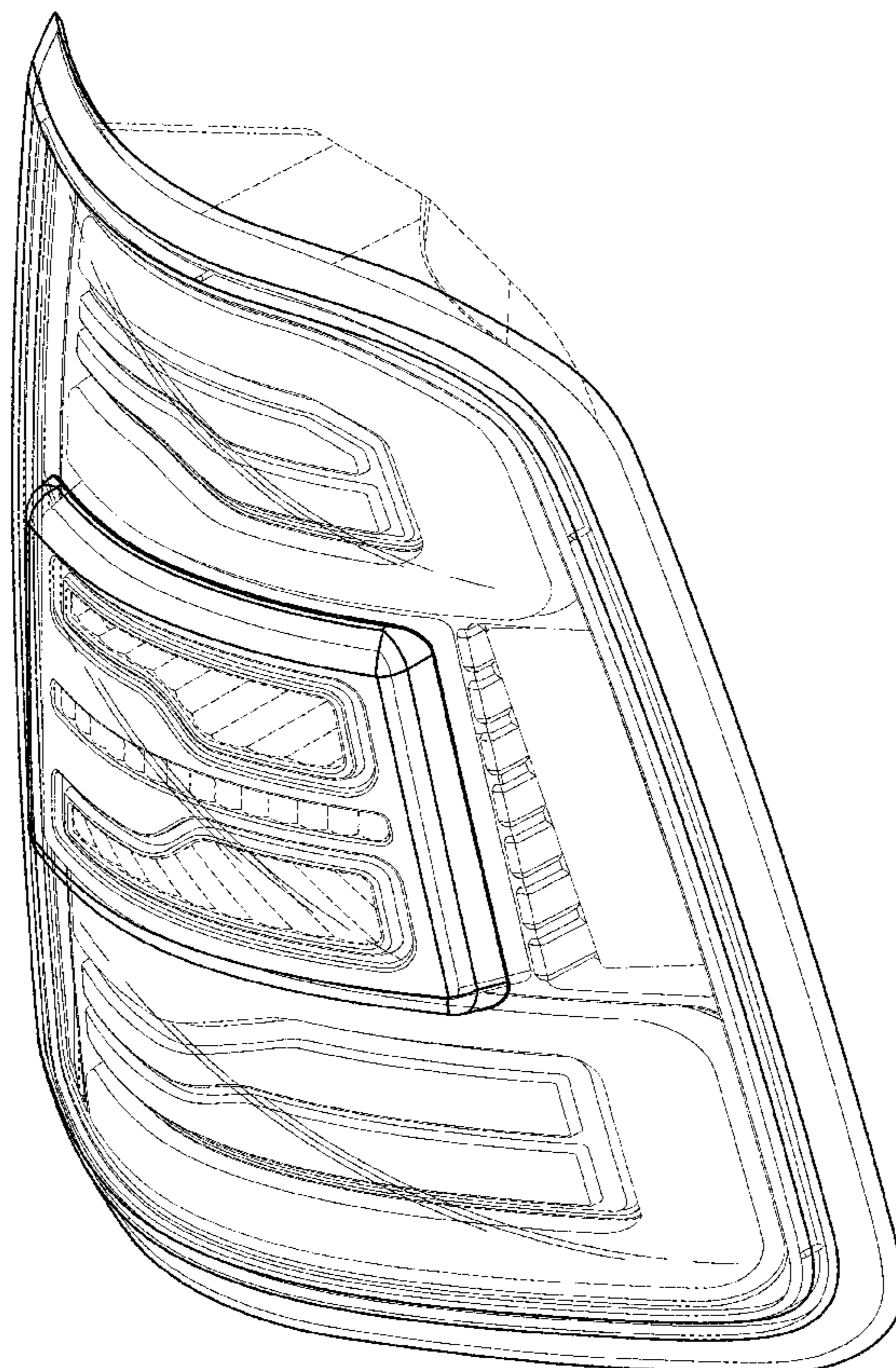
FIG. 1 is a front and left perspective view of a vehicle tail light showing my new design;
FIG. 2 is a front elevational view thereof;
FIG. 3 is a rear elevational view thereof;
FIG. 4 is a left side elevational view thereof;
FIG. 5 is a right side elevational view thereof;
FIG. 6 is a top plan view thereof; and,
FIG. 7 is a bottom plan view thereof.
The broken lines depict portions of the vehicle tail light in which the design is embodied that forms no part of the claimed design.

(56) **References Cited**

U.S. PATENT DOCUMENTS

D604,874 S * 11/2009 Golden D26/28
D703,847 S * 4/2014 MacKay D26/28

1 Claim, 6 Drawing Sheets



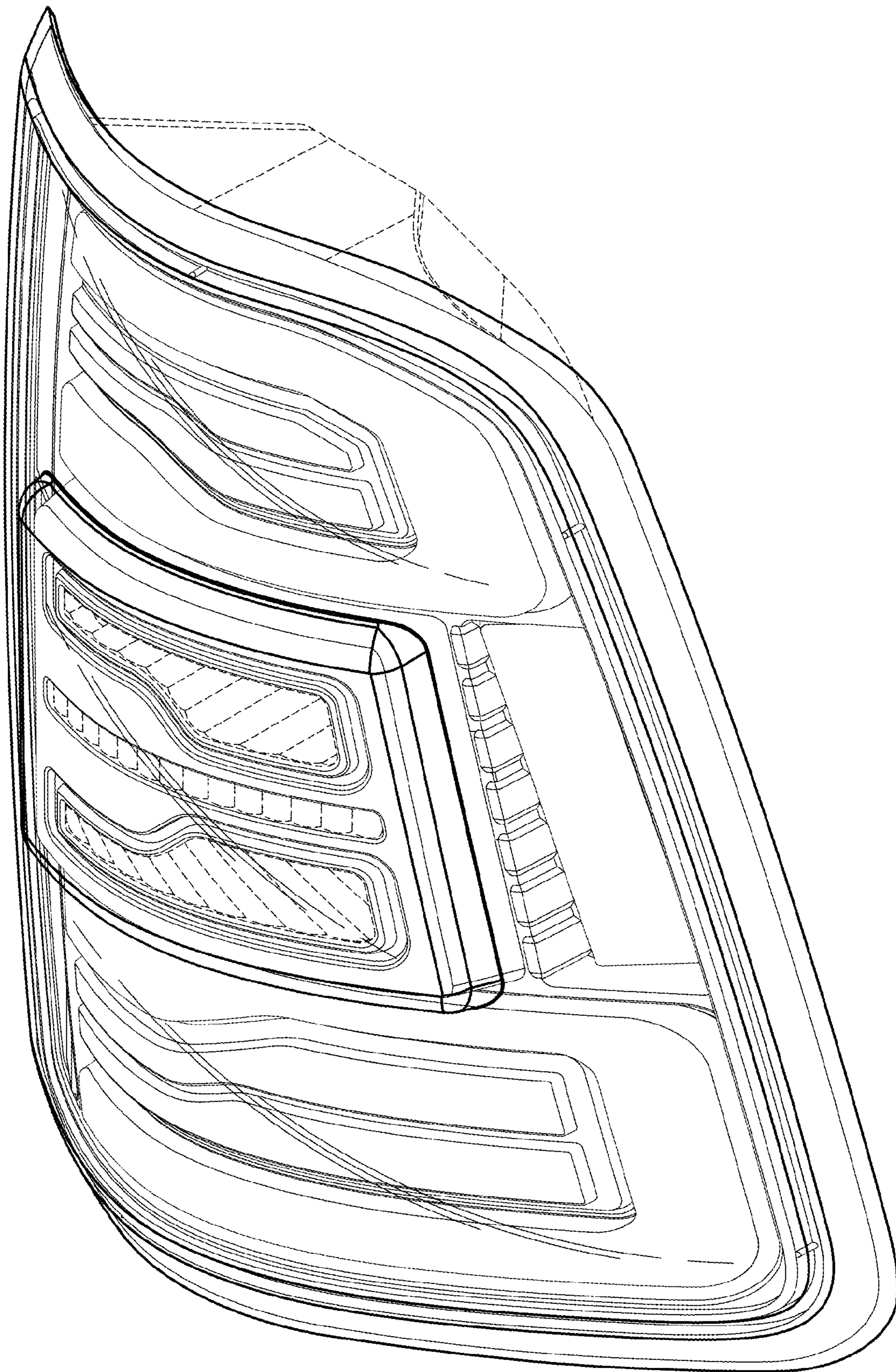


FIG. 1

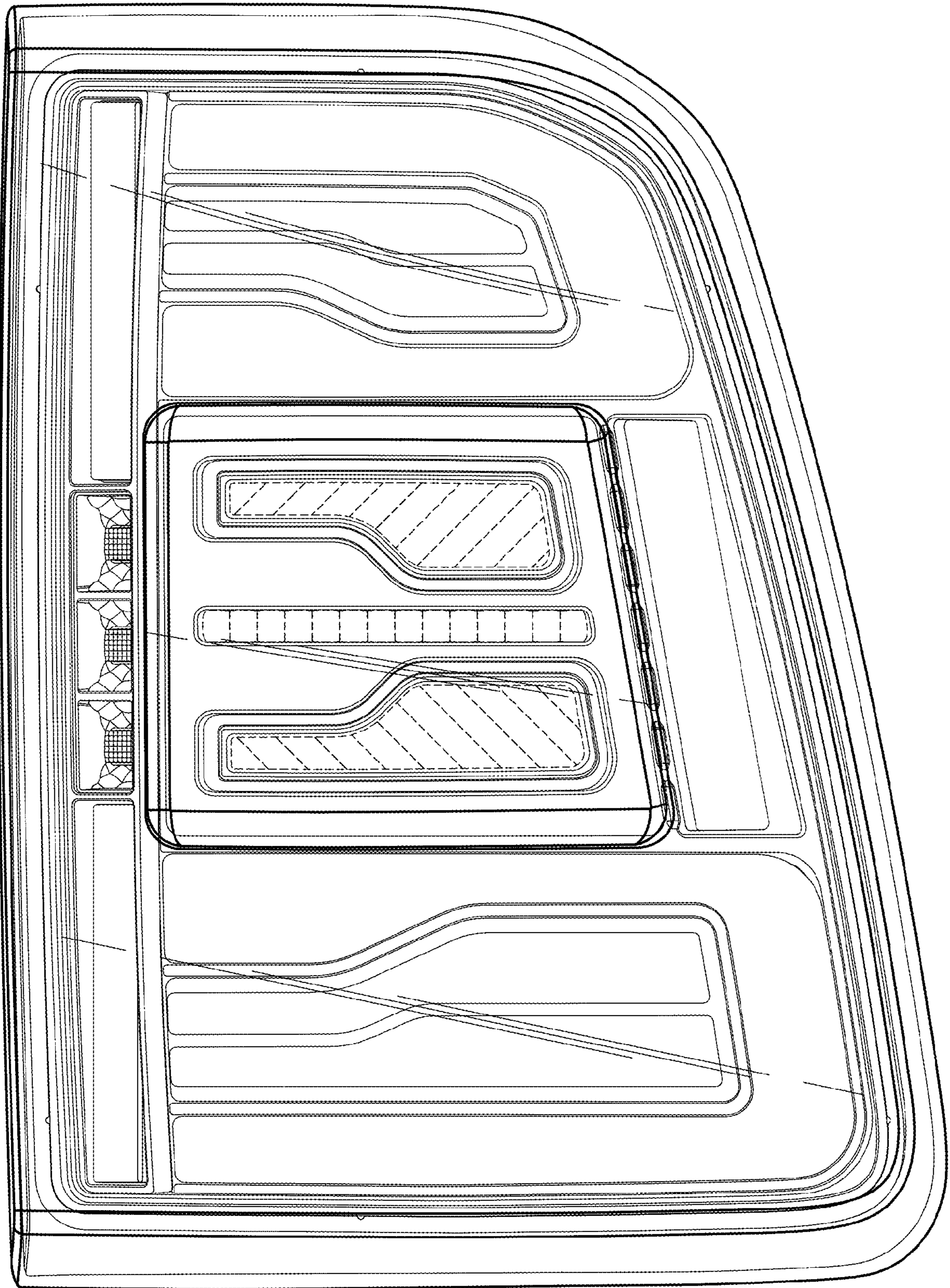


FIG. 2

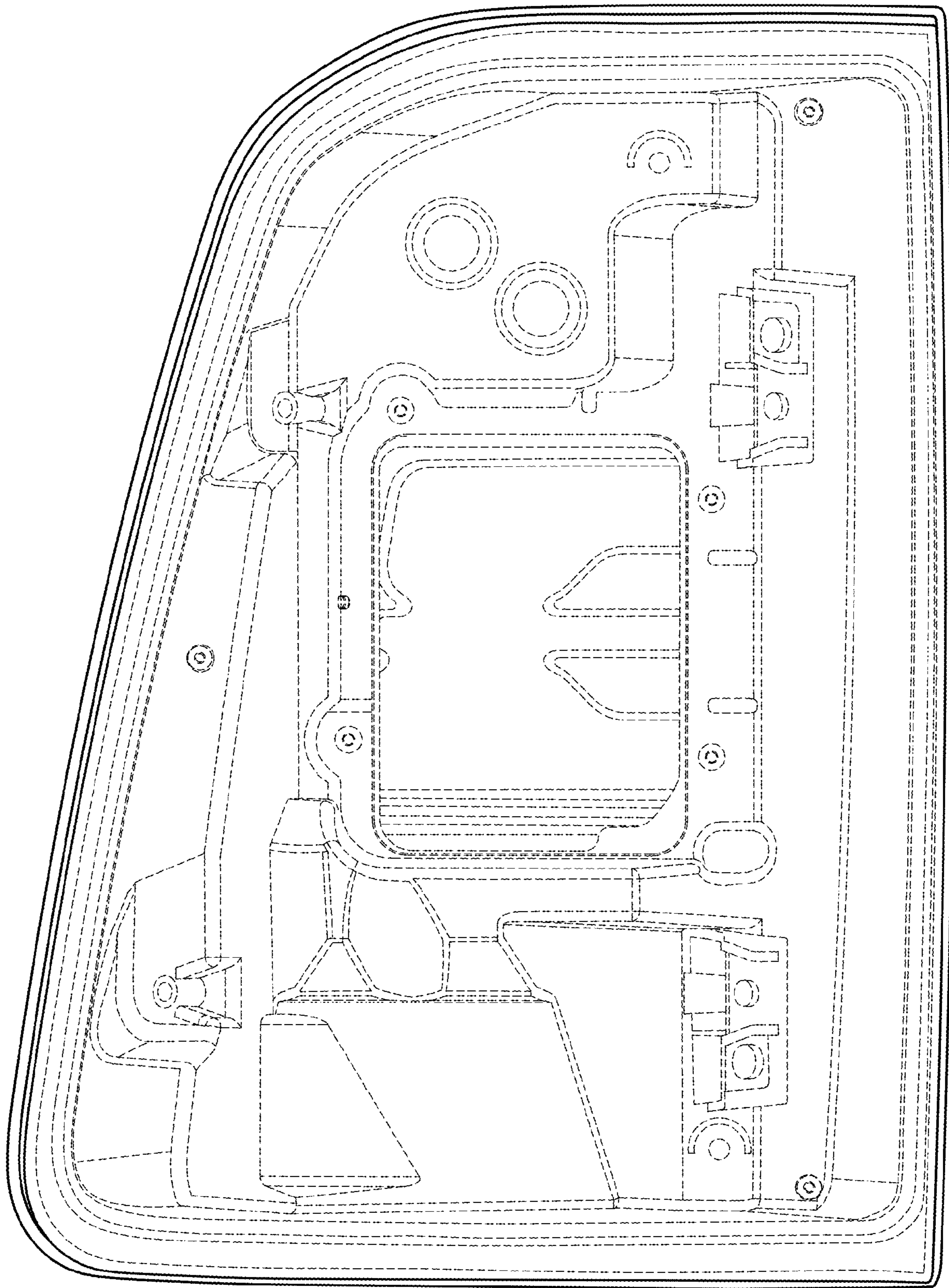


FIG. 3

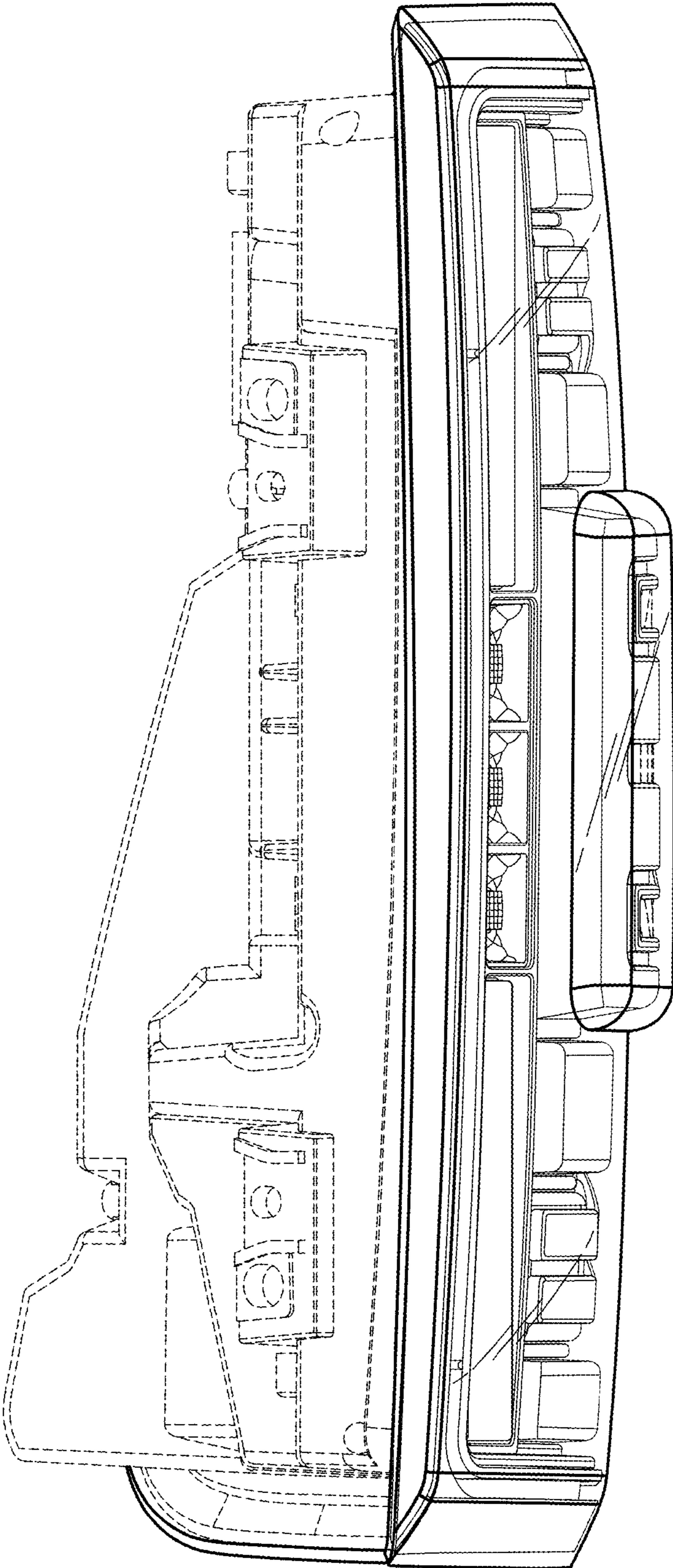


FIG. 4

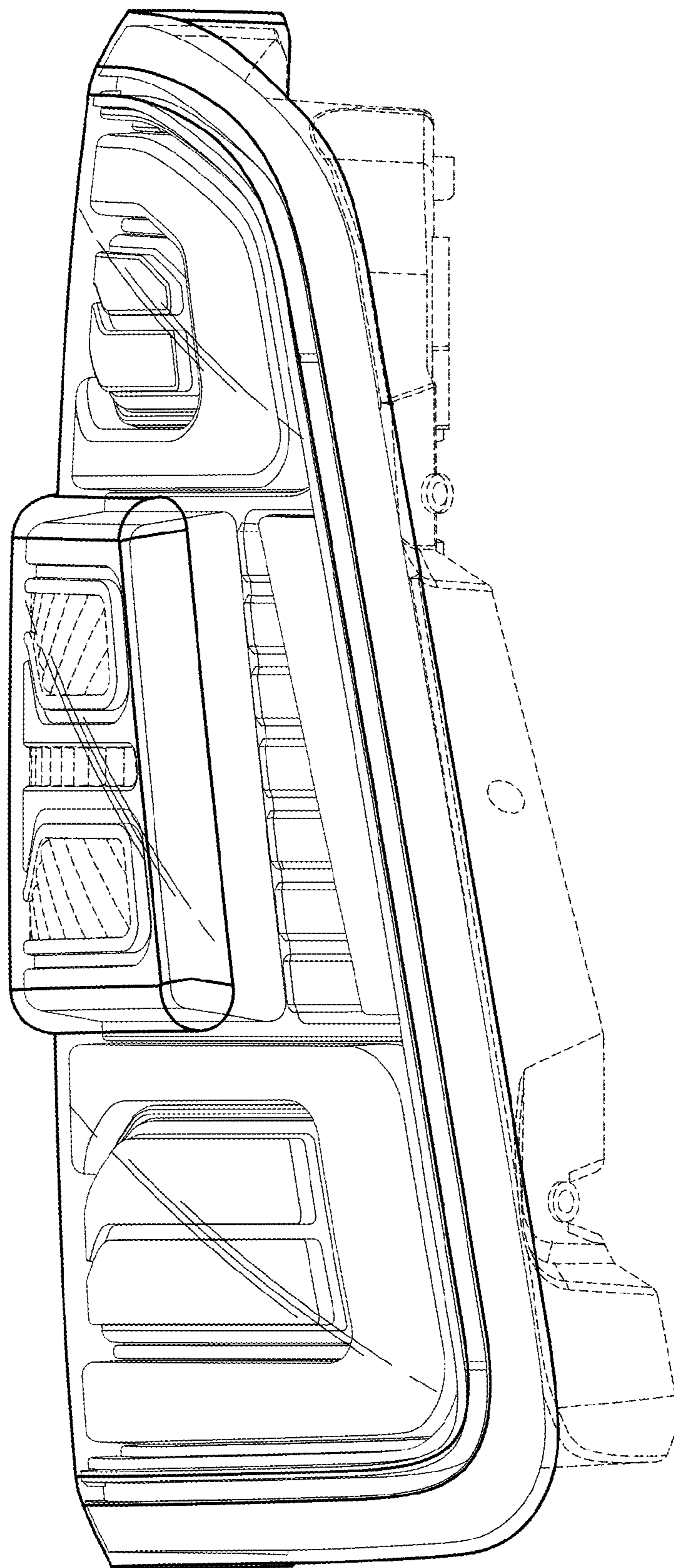


FIG. 5

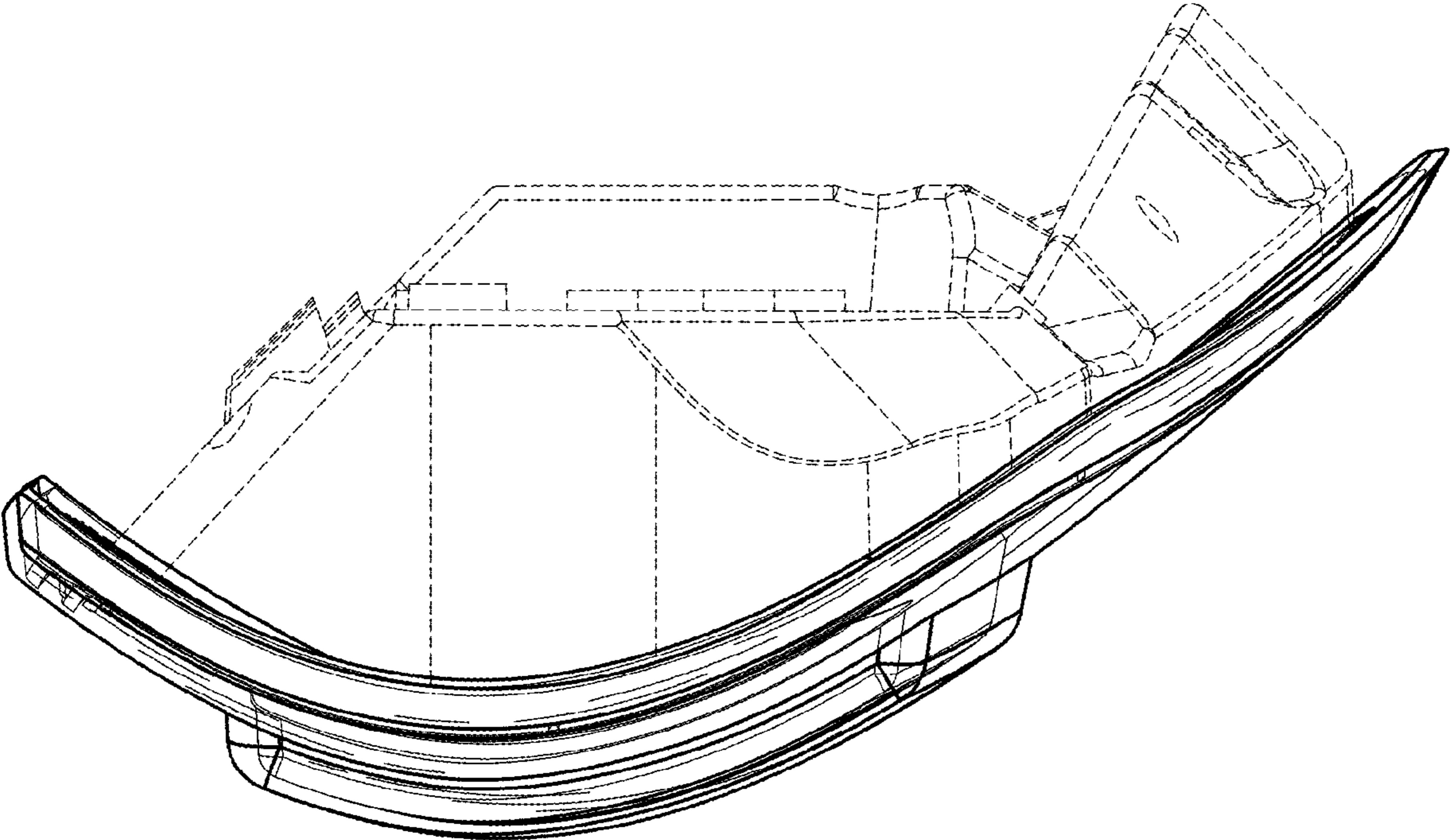


FIG. 6

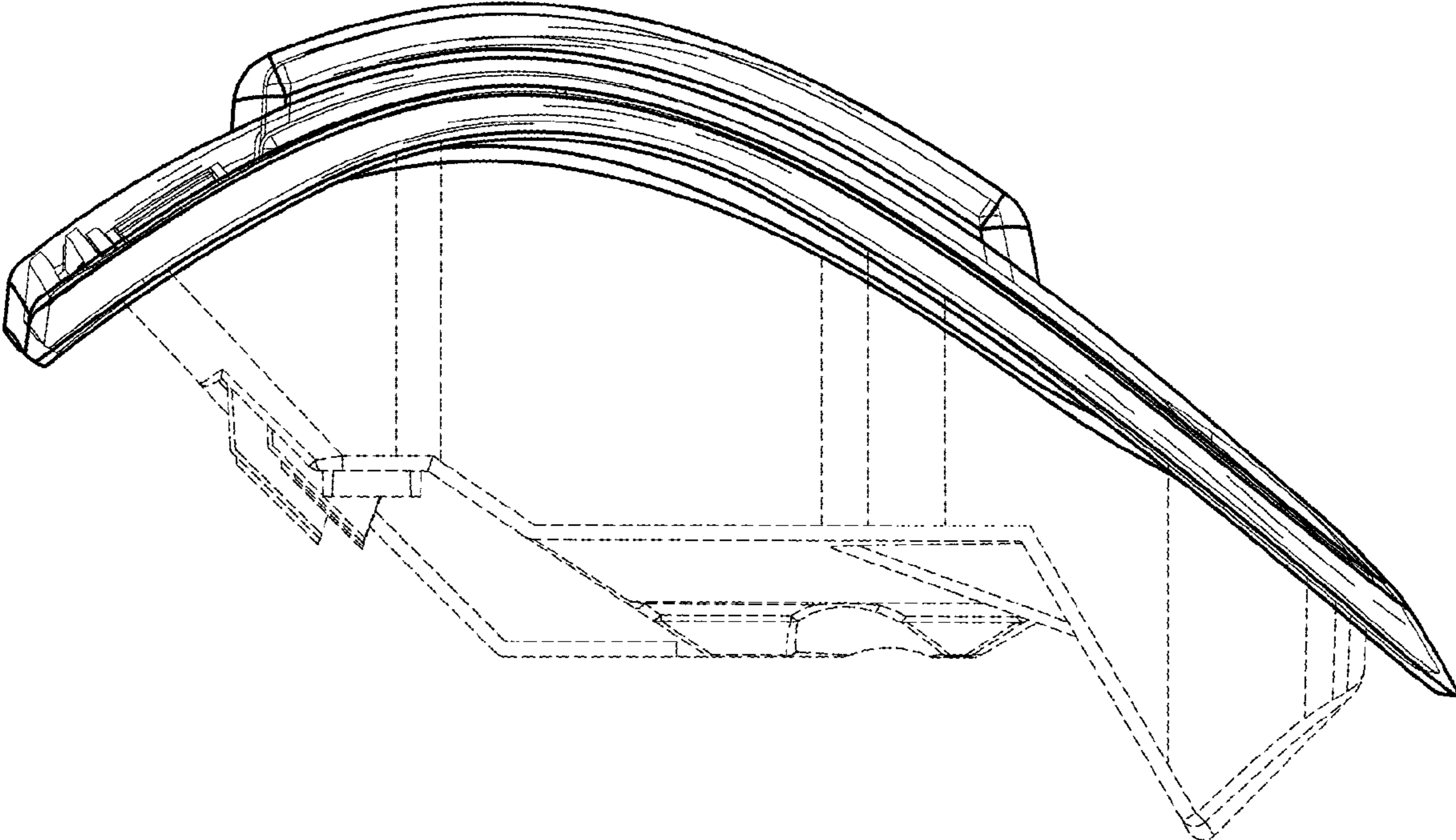


FIG. 7