



US00D901045S

(12) **United States Design Patent**  
**Yang**

(10) **Patent No.:** **US D901,045 S**

(45) **Date of Patent:** **\*\* Nov. 3, 2020**

(54) **VEHICLE TAIL LIGHT**

(71) Applicant: **SONAR AUTO PARTS CO., LTD.**,  
New Taipei (TW)

(72) Inventor: **Hsiu-Pen Yang**, New Taipei (TW)

(73) Assignee: **SONAR AUTO PARTS CO., LTD.**,  
New Taipei (TW)

(\*\*) Term: **15 Years**

(21) Appl. No.: **29/702,289**

(22) Filed: **Aug. 19, 2019**

(51) **LOC (12) Cl.** ..... **26-06**

(52) **U.S. Cl.**  
USPC ..... **D26/28**

(58) **Field of Classification Search**  
USPC ..... D26/28-36, 139  
CPC ..... F21S 48/00; F21S 48/10; F21S 48/115;  
F21S 48/225; F21S 48/1233; F21S  
48/1266; F21S 48/1388; F21S 48/2268;  
F21V 21/04; F21V 29/004; B60Q 9/13;  
B60Q 9/135; B60Q 9/1375  
See application file for complete search history.

(56) **References Cited**

**U.S. PATENT DOCUMENTS**

D476,435 S \* 6/2003 Lin ..... D26/28  
D532,535 S \* 11/2006 Lin ..... D26/28

D550,382 S \* 9/2007 Ellis ..... D26/28  
D592,336 S \* 5/2009 Hsu ..... D26/28  
D703,847 S \* 4/2014 MacKay ..... D26/28  
D723,199 S \* 2/2015 Lai ..... D26/28  
D724,243 S \* 3/2015 Lai ..... D26/28

\* cited by examiner

*Primary Examiner* — Marcus A Jackson

(74) *Attorney, Agent, or Firm* — Li & Cai Intellectual  
Property Office

(57) **CLAIM**

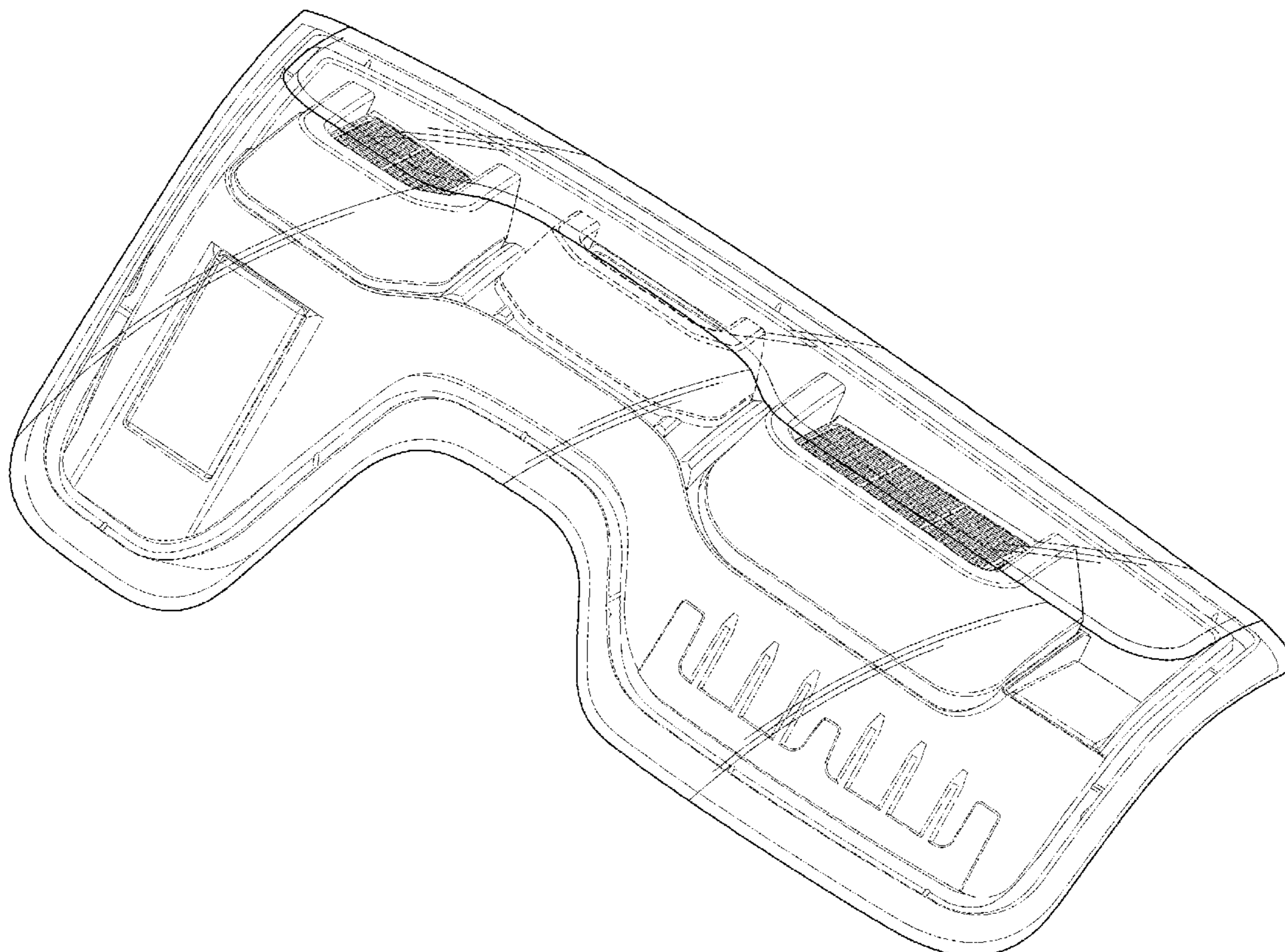
The ornamental design for a vehicle tail light, as shown and  
described.

**DESCRIPTION**

FIG. 1 is a front and left perspective view of a vehicle tail  
light showing my new design;  
FIG. 2 is a front elevational view thereof;  
FIG. 3 is a rear elevational view thereof;  
FIG. 4 is a left side elevational view thereof;  
FIG. 5 is a right side elevational view thereof;  
FIG. 6 is a top plan view thereof; and,  
FIG. 7 is a bottom plan view thereof.

The broken lines depict portions of the vehicle tail light in  
which the design is embodied that form no part of the  
claimed design.

**1 Claim, 6 Drawing Sheets**



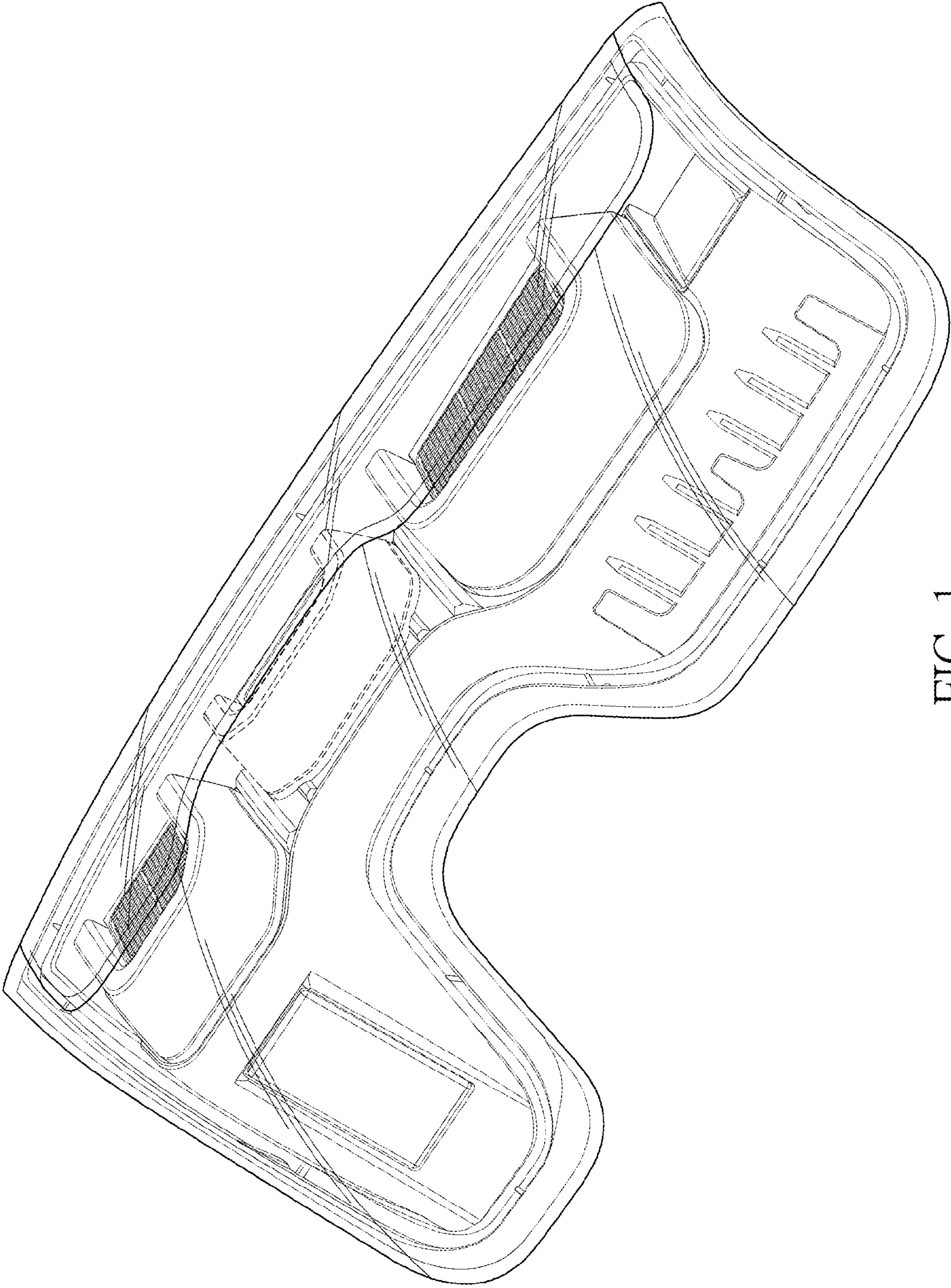


FIG. 1



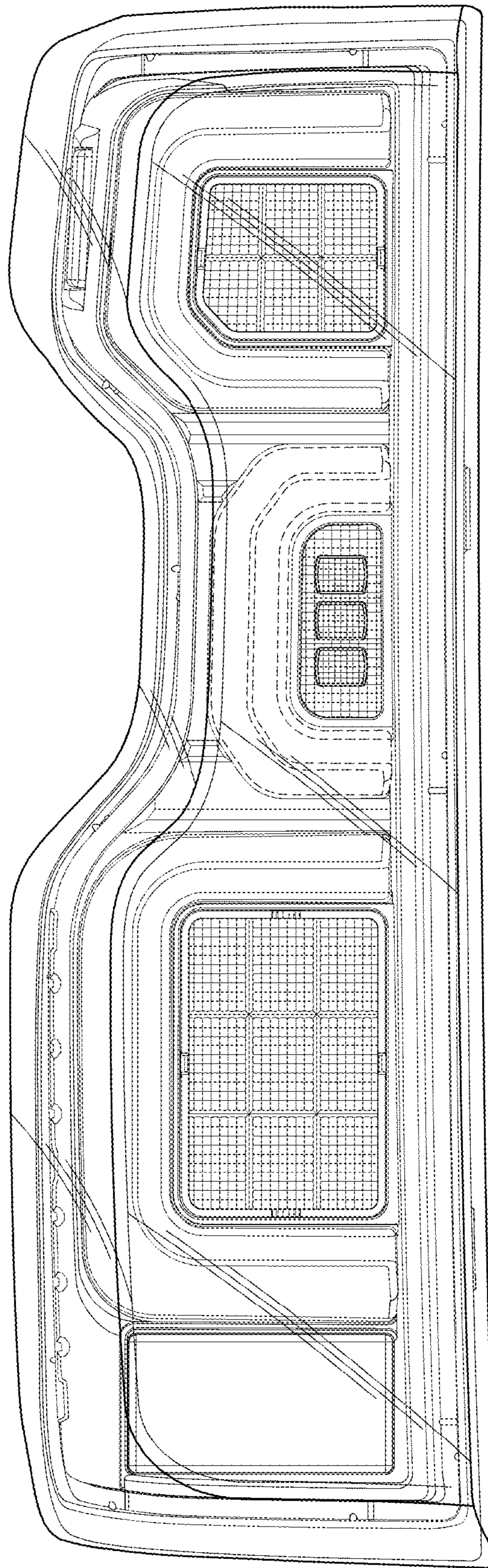


FIG. 2

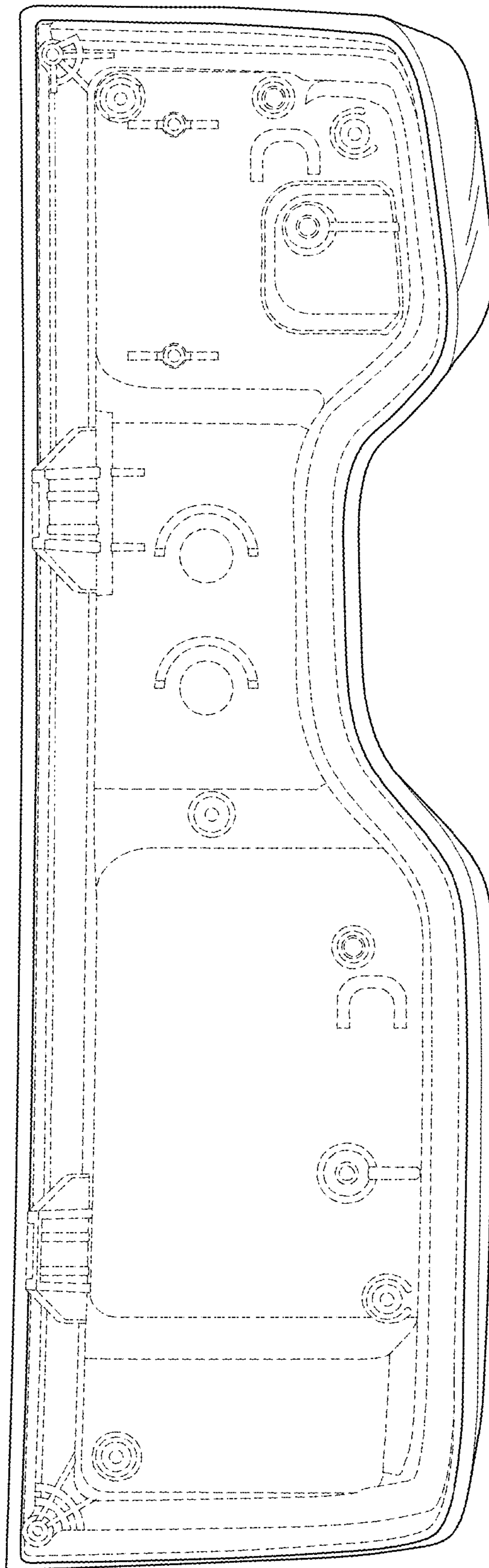


FIG. 3

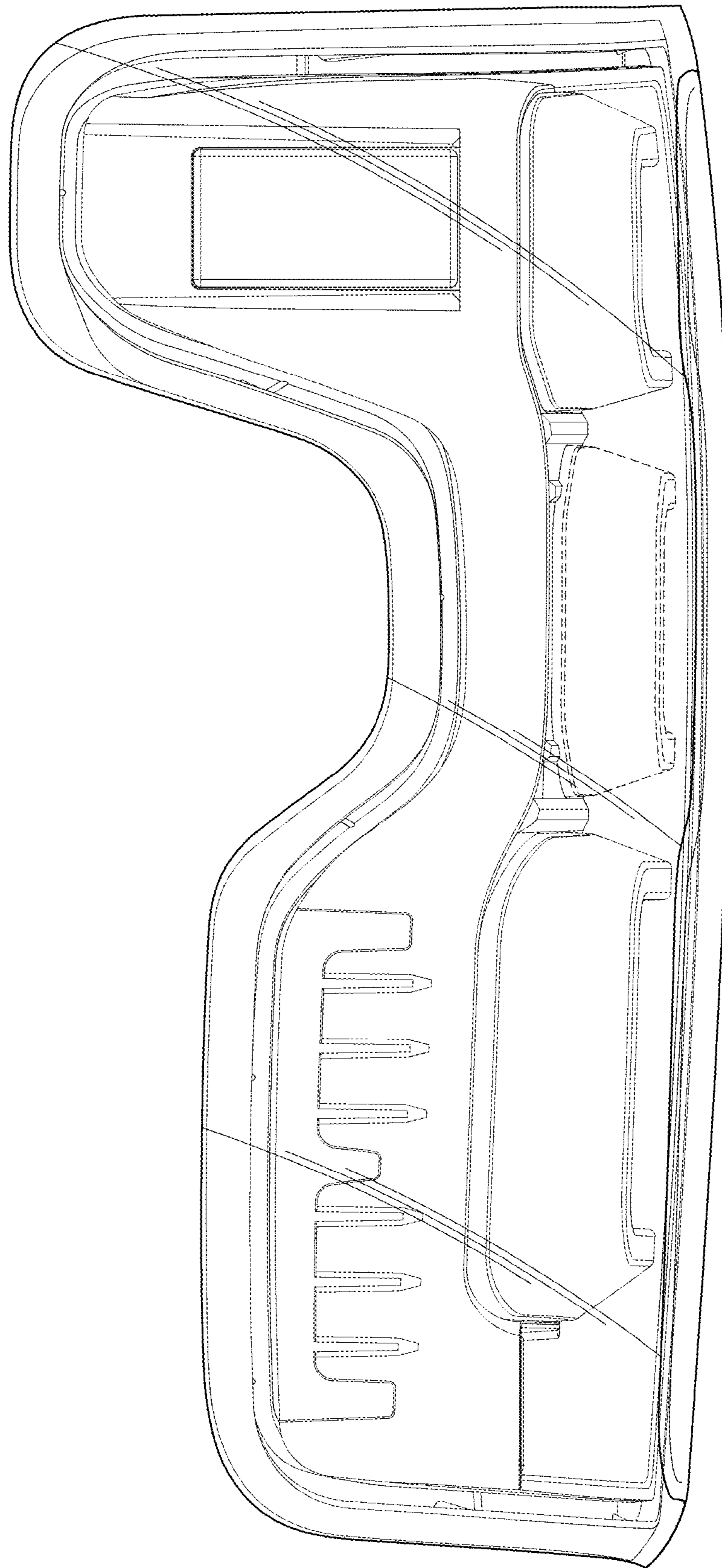


FIG. 4



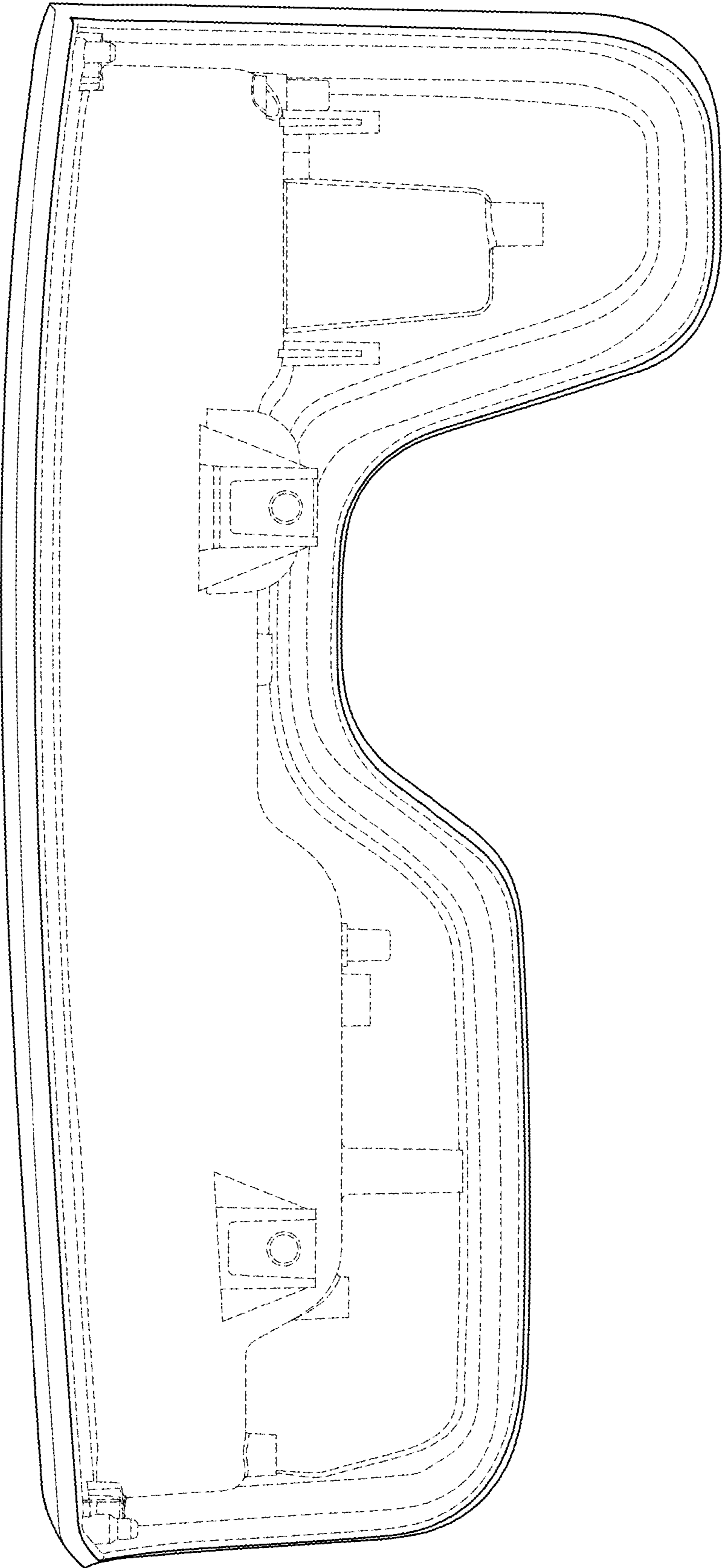


FIG. 5

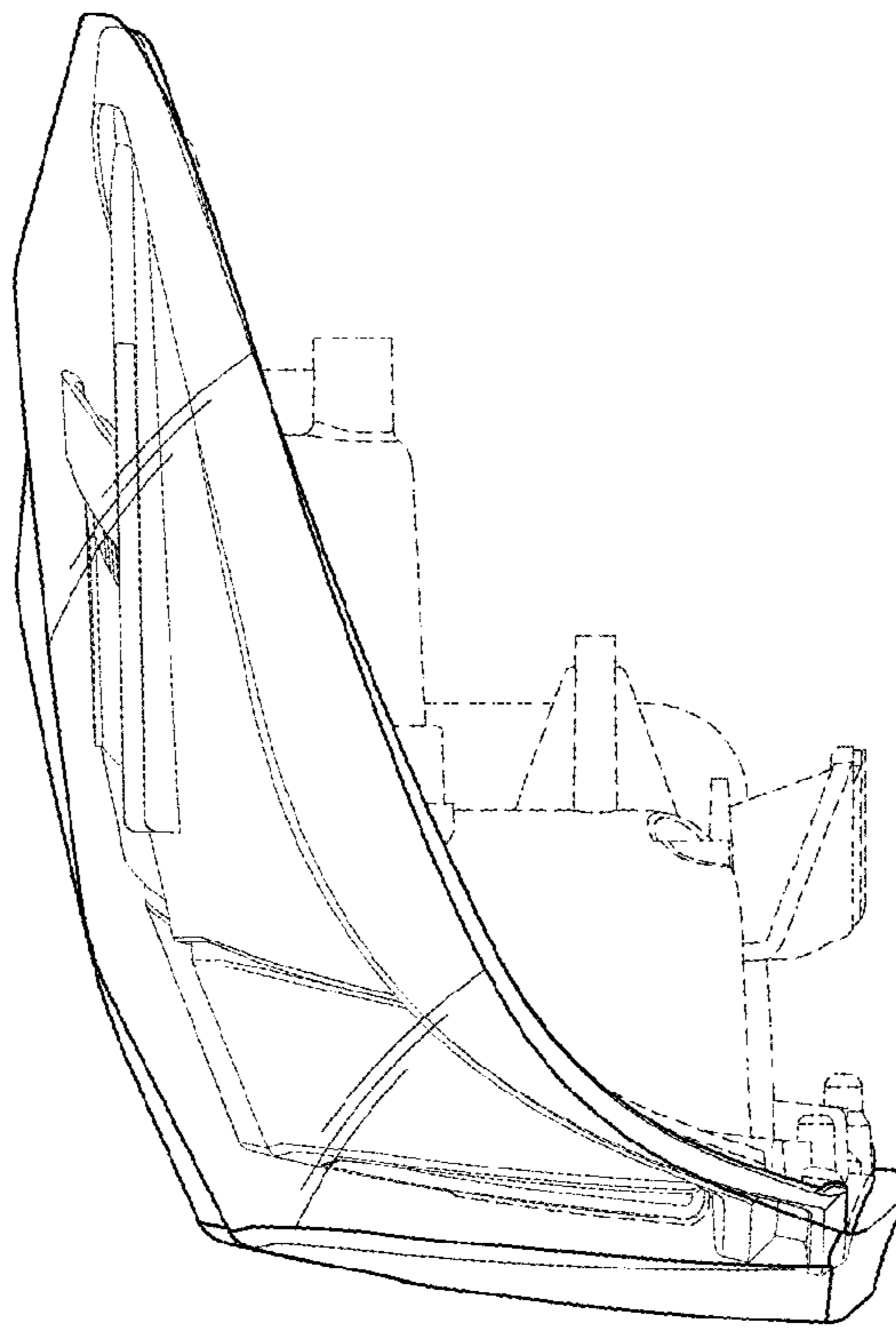


FIG. 6

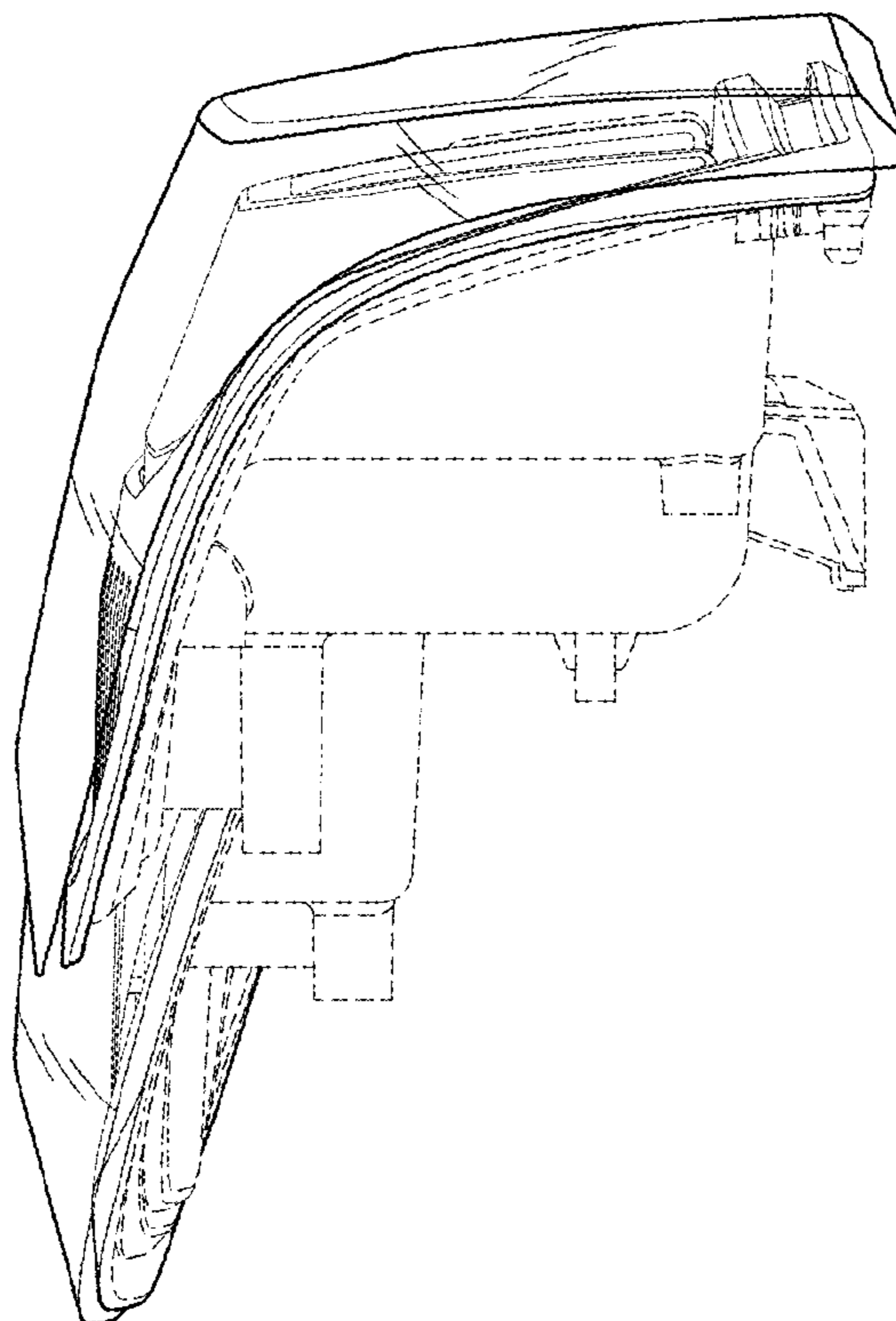


FIG. 7