



US00D901042S

(12) **United States Design Patent**
Fletcher et al.

(10) **Patent No.:** **US D901,042 S**
(45) **Date of Patent:** **** Nov. 3, 2020**

- (54) **PORTION OF A FLOOR TILE**
- (71) Applicant: **FIBERBUILT MANUFACTURING INC.,** Calgary (CA)
- (72) Inventors: **Daniel Fletcher,** Calgary (CA);
Michael Hooper, Chestermere (CA);
Scott Nichol, Calgary (CA); **Courtney MacDonald,** Calgary (CA)
- (73) Assignee: **Fiberbuilt Manufacturing Inc.,** Calgary (CA)
- (**) Term: **15 Years**
- (21) Appl. No.: **29/685,858**
- (22) Filed: **Apr. 1, 2019**
- (51) **LOC (12) Cl.** **25-01**
- (52) **U.S. Cl.**
USPC **D25/138**
- (58) **Field of Classification Search**
USPC D25/138
CPC E04F 15/02; E04F 15/02033; E04F 15/02172; E04F 15/02183; E04F 2201/00; E04F 2201/0107
See application file for complete search history.

- 7,096,632 B2 8/2006 Pacione
- D700,368 S * 2/2014 Shen D25/138
- 8,881,482 B2 * 11/2014 Cerny E04F 15/02038
52/582.2
- D726,344 S * 4/2015 Bakken D25/138
- D727,539 S * 4/2015 Alexander D25/138
- D818,615 S * 5/2018 Bordin D25/158
- 9,963,834 B2 * 5/2018 Harris E01C 5/16

* cited by examiner

Primary Examiner — Doris Clark

(74) *Attorney, Agent, or Firm* — Brandon V. Zuniga;
James R. Gourley; Carstens & Cahoon, LLP

(57) **CLAIM**

The ornamental design for a portion of a floor tile, as shown and described.

DESCRIPTION

FIG. 1 is a top plan view of a portion of a floor tile according to the new design;
 FIG. 2 is a top perspective view of the portion of a floor tile of FIG. 1;
 FIG. 3 is a side view of the portion of a floor tile of FIG. 1, with the other side being a mirror image thereof; and,
 FIG. 4 is an enlarged fragmentary view of the portion of a floor tile of FIG. 1.
 The design is the portion of the floor tile shown in solid lines in the drawing. The portions shown in stippled lines do not form part of the design.

1 Claim, 4 Drawing Sheets

- (56) **References Cited**
U.S. PATENT DOCUMENTS
3,735,988 A 5/1973 Palmer et al.
D497,212 S * 10/2004 Poliacek D25/138

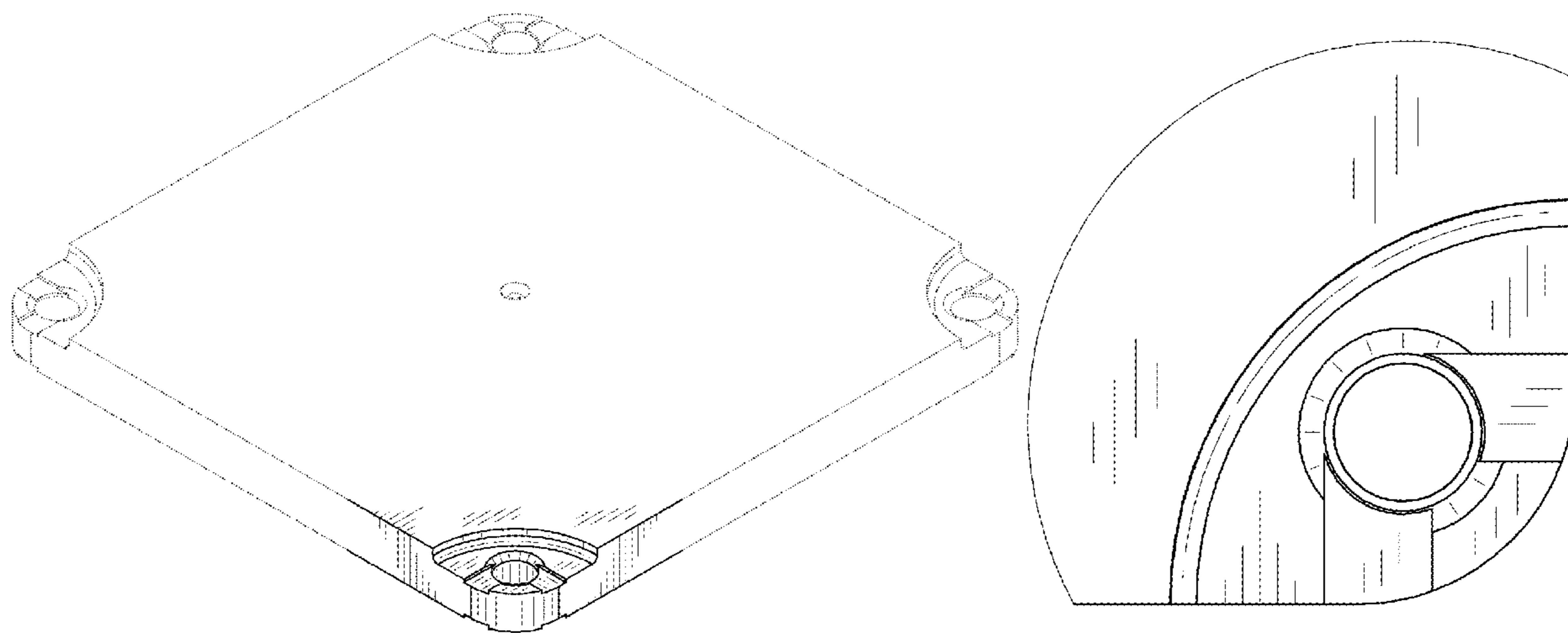


FIGURE 1

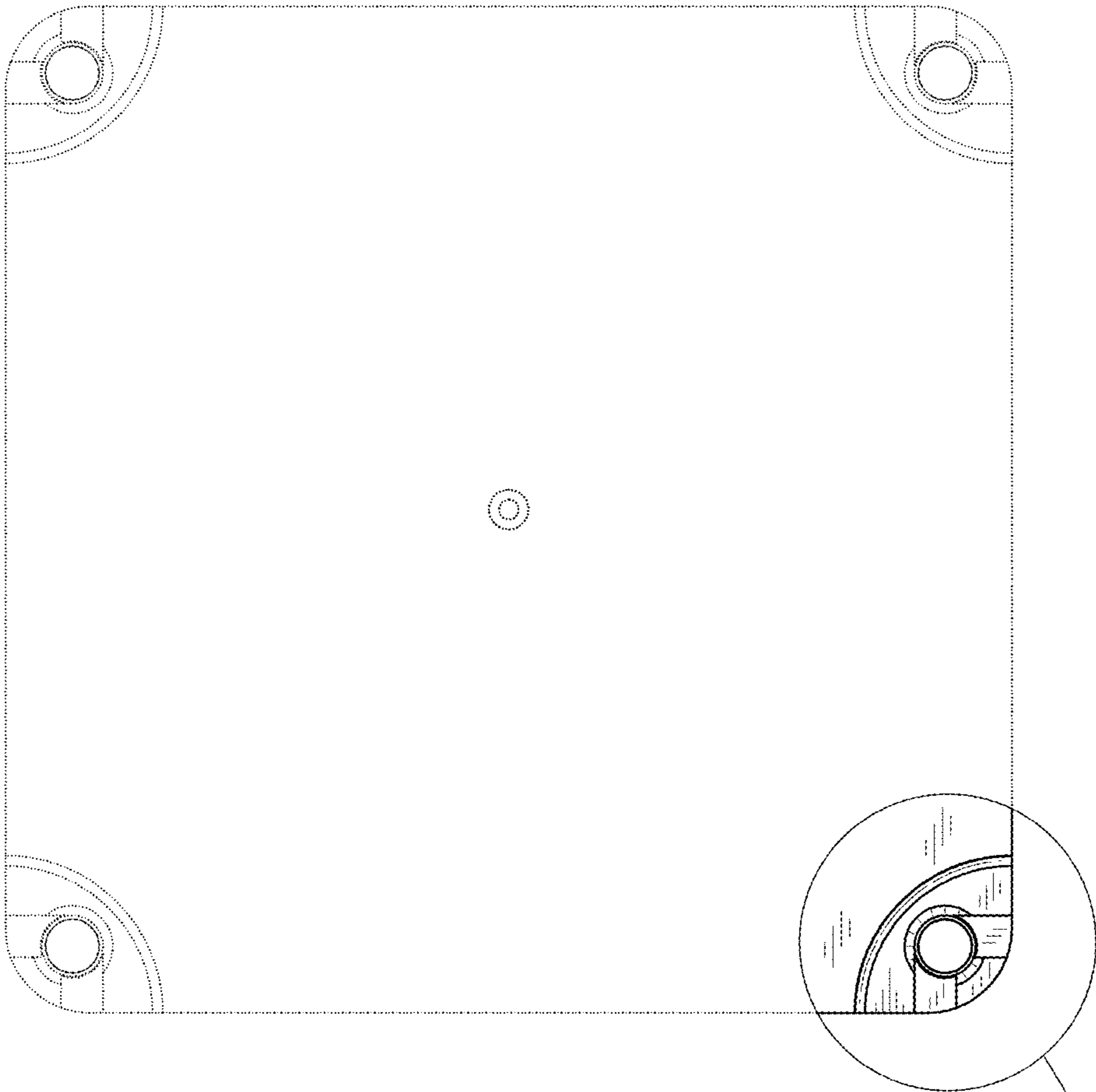


FIGURE 4

FIGURE 2

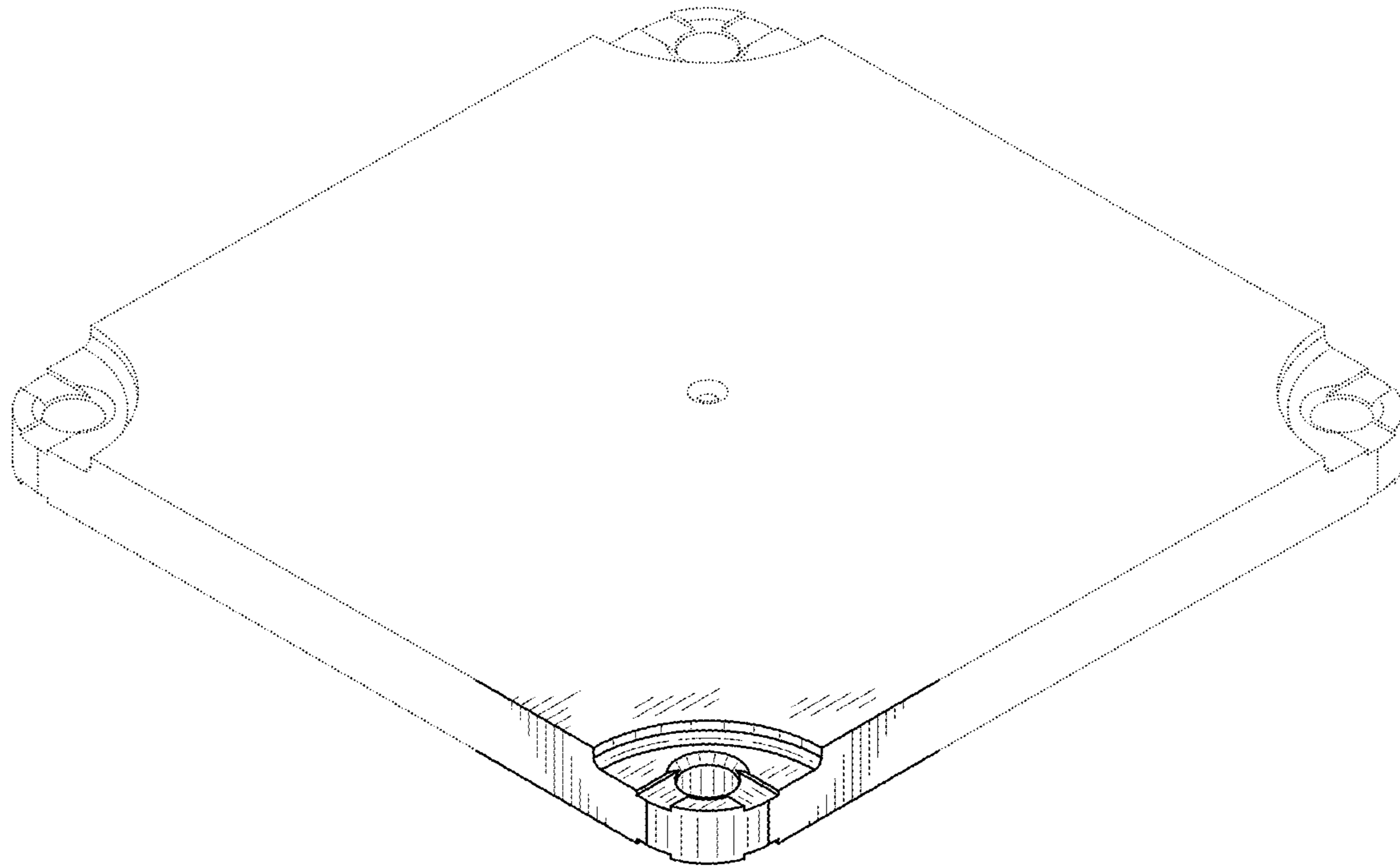


FIGURE 3

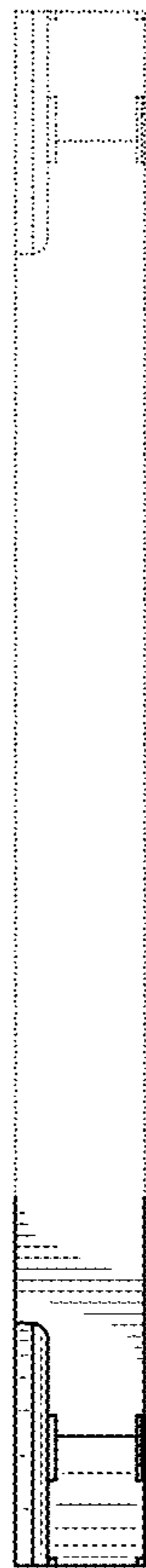


FIGURE 4

