



US00D901040S

(12) **United States Design Patent** (10) **Patent No.:** **US D901,040 S**
Helms et al. (45) **Date of Patent:** **** Nov. 3, 2020**

(54) BUILDING EXTRUSION	D344,423 S * 2/1994 Pate D25/119
	5,579,617 A * 12/1996 Schiedegger E04F 19/02
(71) Applicant: Golden Homes Holdings Limited, Tauranga (NZ)	6,474,032 B1 * 11/2002 Wynn E04F 19/02
	52/287.1
(72) Inventors: Lennard Trevor Helms, Tauranga (NZ); Michael Petersen, Auckland (NZ)	D787,709 S * 5/2017 Krause D25/119
	9,683,373 B2 * 6/2017 Helms E04F 13/0875
	D791,974 S * 7/2017 Nelson D25/119
	D791,975 S * 7/2017 Nelson D25/119
	D824,046 S * 7/2018 Krause E04F 13/0826
(73) Assignee: GOLDEN HOMES HOLDINGS LIMITED, Tauranga (NZ)	D25/119
	2005/0189723 A1 * 9/2005 Chassee E04F 19/061
	277/411
(**) Term: 15 Years	2011/0131919 A1 * 6/2011 Neuhofer E04F 19/061
	52/718.01

(Continued)

Primary Examiner — Llorelys Martinez

(74) *Attorney, Agent, or Firm* — Knobbe, Martens, Olson and Bear, LLP

(21) Appl. No.: **29/661,522**

(22) Filed: **Aug. 28, 2018**

(30) **Foreign Application Priority Data**

Feb. 28, 2018 (NZ) 424127

(51) **LOC (12) Cl.** **25-01**

(52) **U.S. Cl.**
USPC **D25/119**

(58) **Field of Classification Search**
USPC D25/48.2, 55, 119–123, 164, 199;
D8/349, 354, 376
CPC E04F 19/00; E04F 19/02; E04F 19/022;
E04F 19/026; E04F 19/028; E04F 19/04;
E04F 19/06; E04F 19/062; E04F 19/063;
E04F 19/064; E04F 13/00; E04F 13/007;
E04F 13/07; E04F 13/072; E04F 13/073;
E04F 13/0733; E04F 13/0736; E04F
2019/044; E04F 2019/0445; E04F
13/0801; E04F 13/0832; E04F 13/0866;
E04F 13/12; E04F 19/061; E04D 13/08
See application file for complete search history.

(56) **References Cited**

U.S. PATENT DOCUMENTS

4,793,114 A * 12/1988 Pacca E06B 1/702
D25/119

D319,886 S * 9/1991 Simpson D20/44

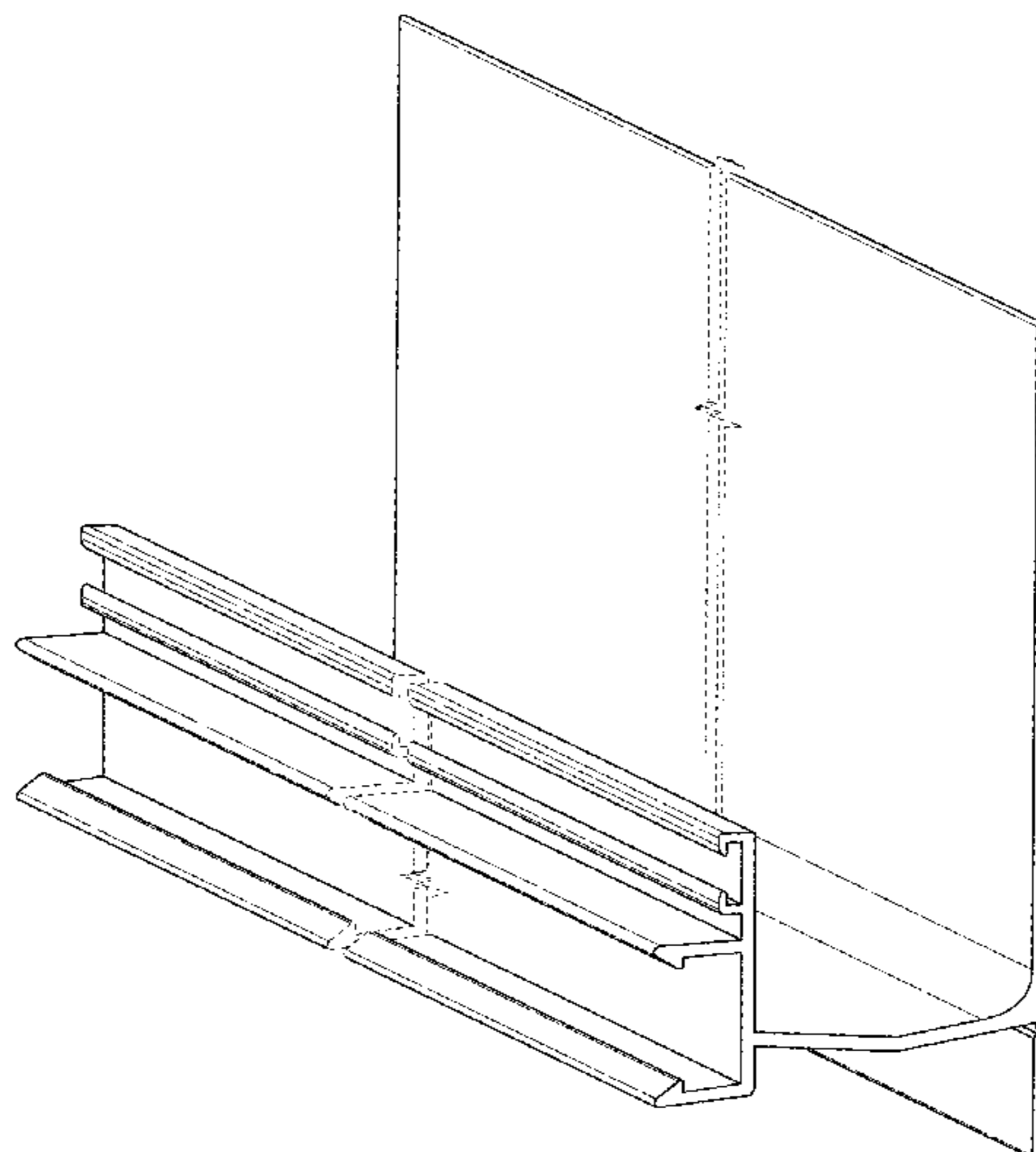
(57) **CLAIM**

The ornamental design for a building extrusion, as shown and described.

DESCRIPTION

FIG. 1 is a front end view of a building extrusion, showing our new design;
FIG. 2 is a back end view thereof;
FIG. 3 is a right side elevational view thereof;
FIG. 4 is a left side elevational view thereof;
FIG. 5 is a bottom plan view thereof;
FIG. 6 is a top plan view thereof; and,
FIG. 7 is a perspective view thereof.
The building extrusion is shown with a symbolic break in its length. The appearance of any portion of the building extrusion between the break lines forms no part of the claimed design.

1 Claim, 7 Drawing Sheets



(56)

References Cited

U.S. PATENT DOCUMENTS

2011/0252731 A1* 10/2011 Boyer E04F 13/12
52/302.1
2014/0196384 A1* 7/2014 Schlueter E04F 19/061
52/173.1
2015/0308123 A1* 10/2015 Prica E04F 13/0801
52/483.1
2015/0308125 A1* 10/2015 Helms E04F 13/0866
52/309.9
2018/0371766 A1* 12/2018 Anzalone, Jr. E04F 19/0477
2019/0040627 A1* 2/2019 Simontacchi E04C 3/07
2019/0063083 A1* 2/2019 Bordin E04F 19/061

* cited by examiner

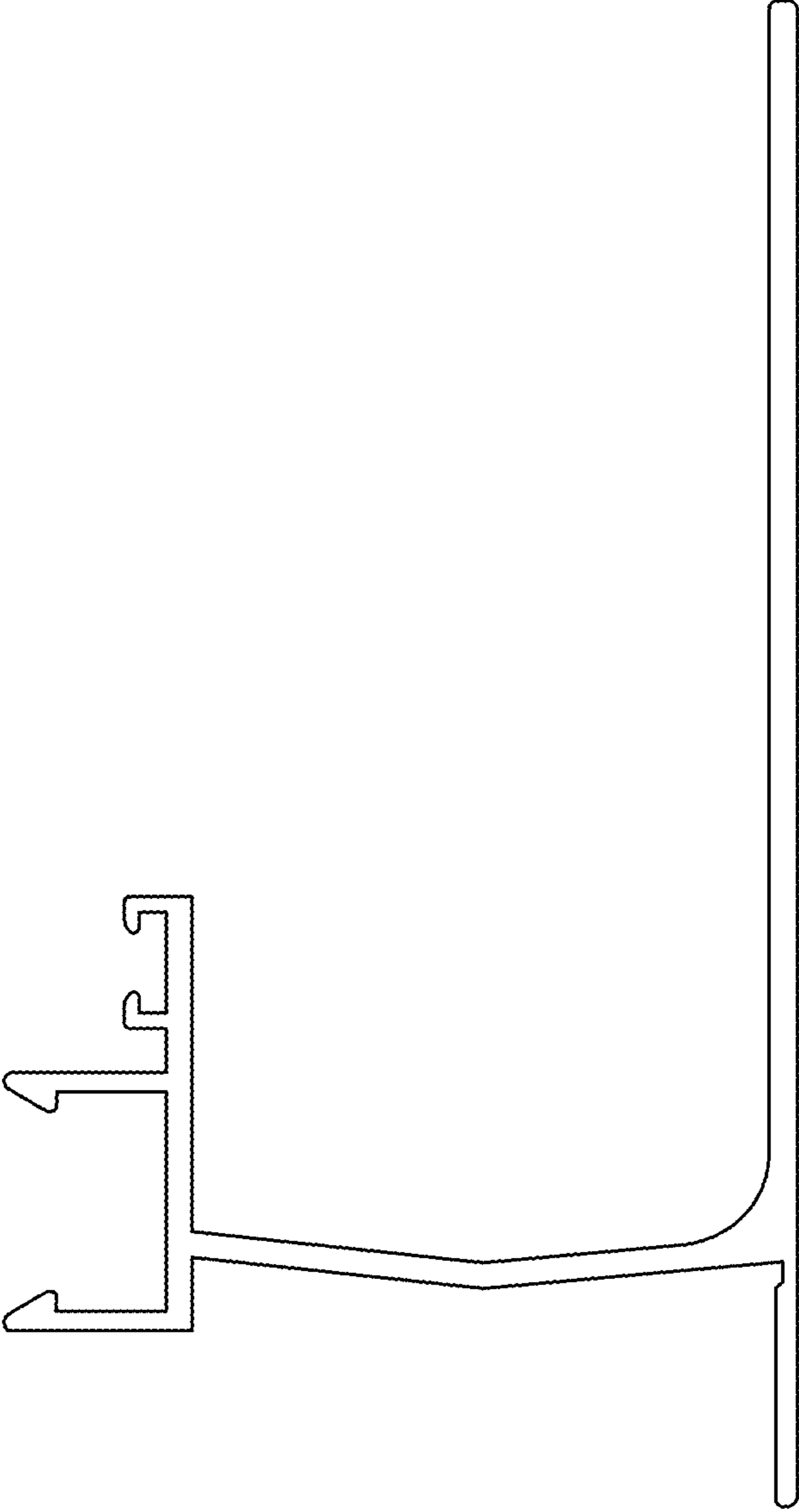


FIG. 1

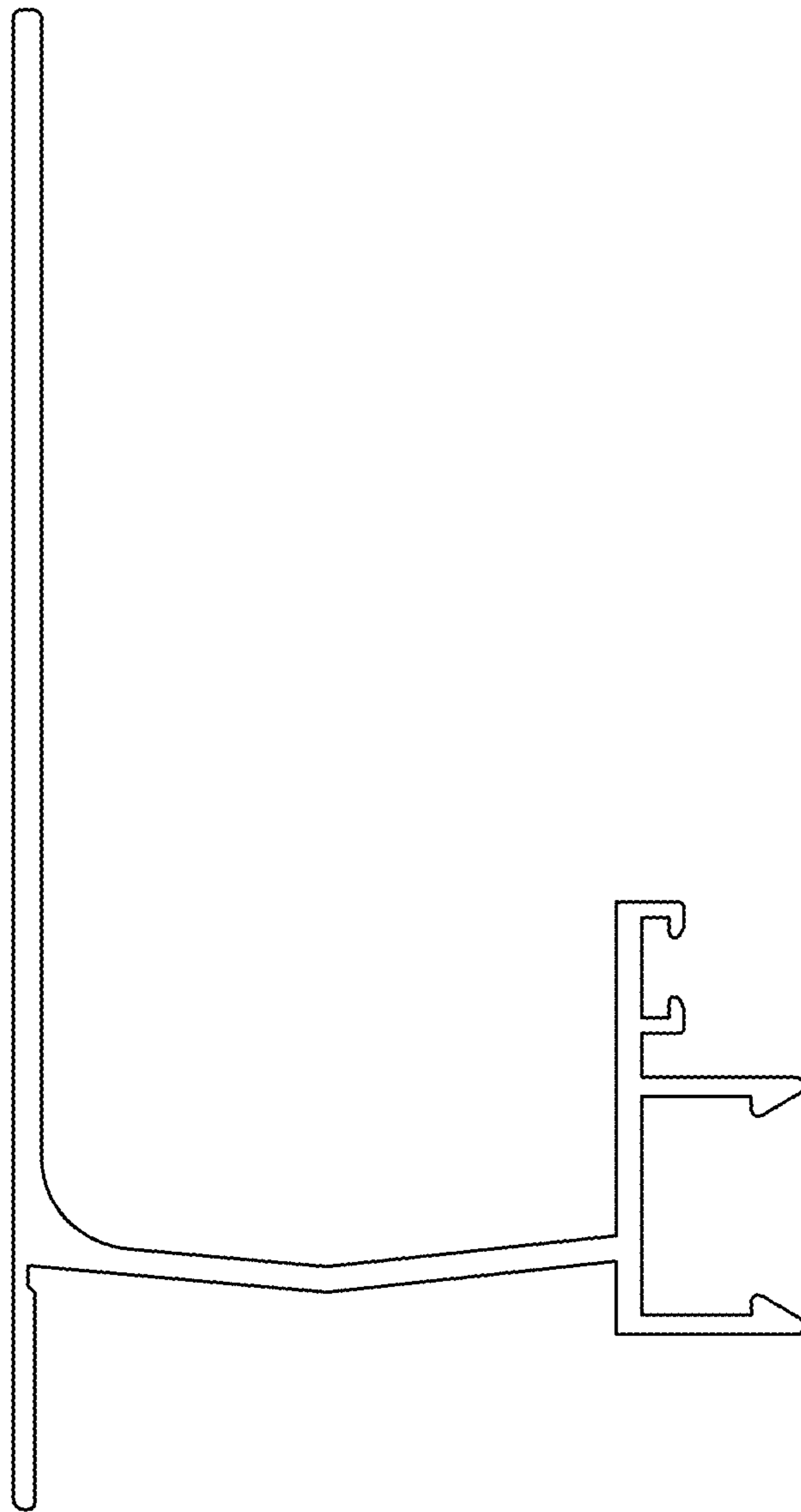


FIG. 2

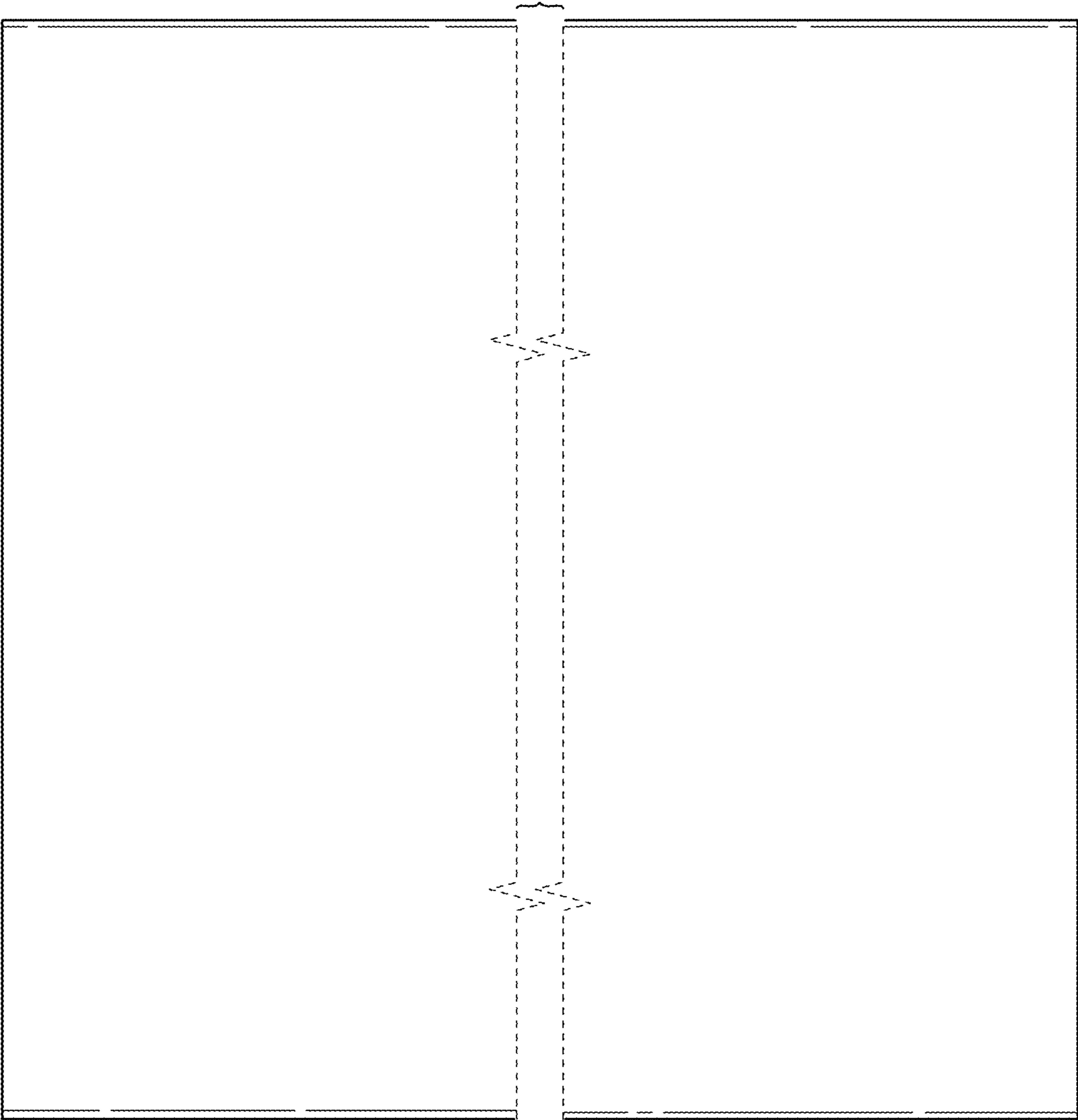


FIG. 3

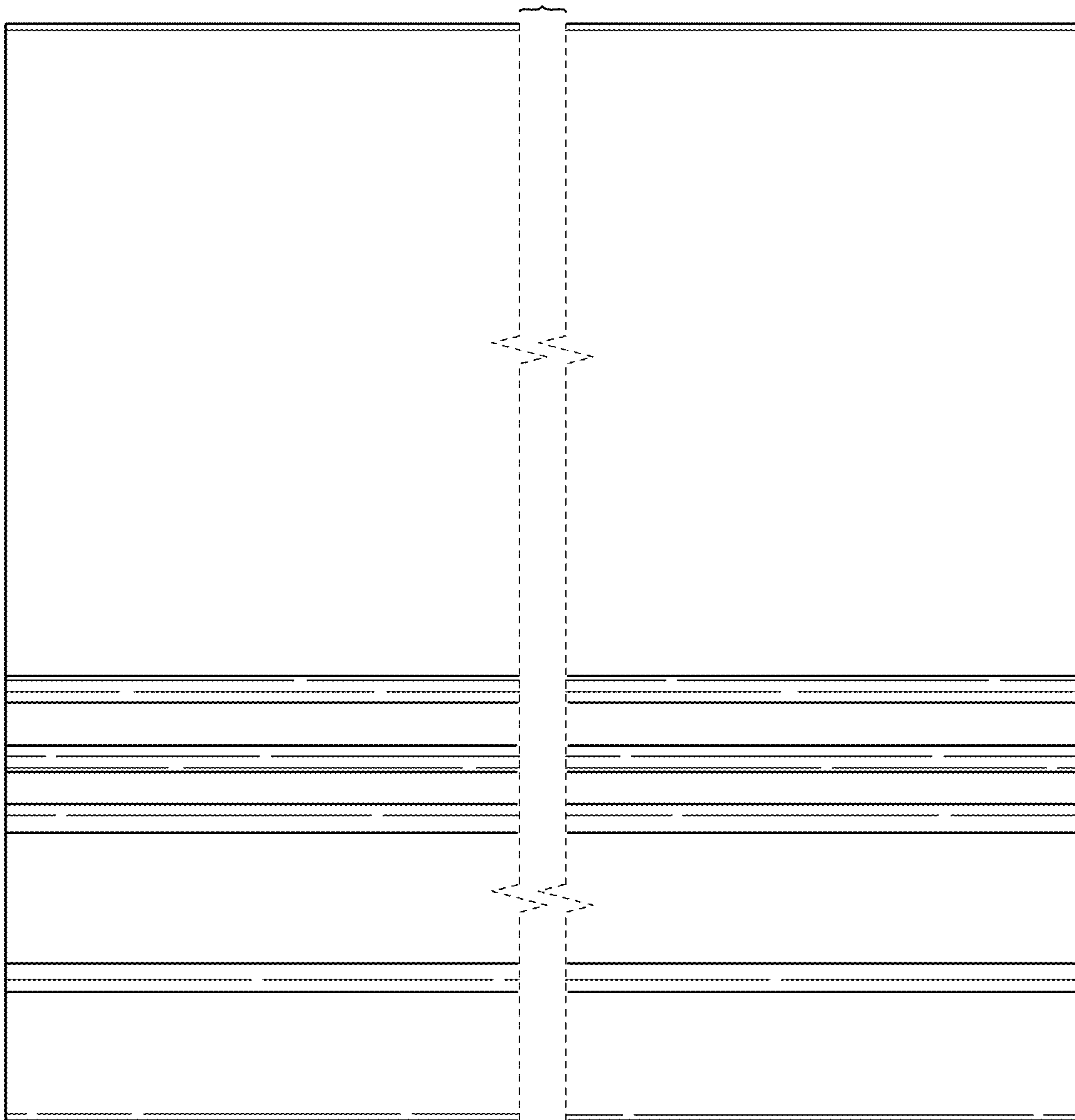


FIG. 4

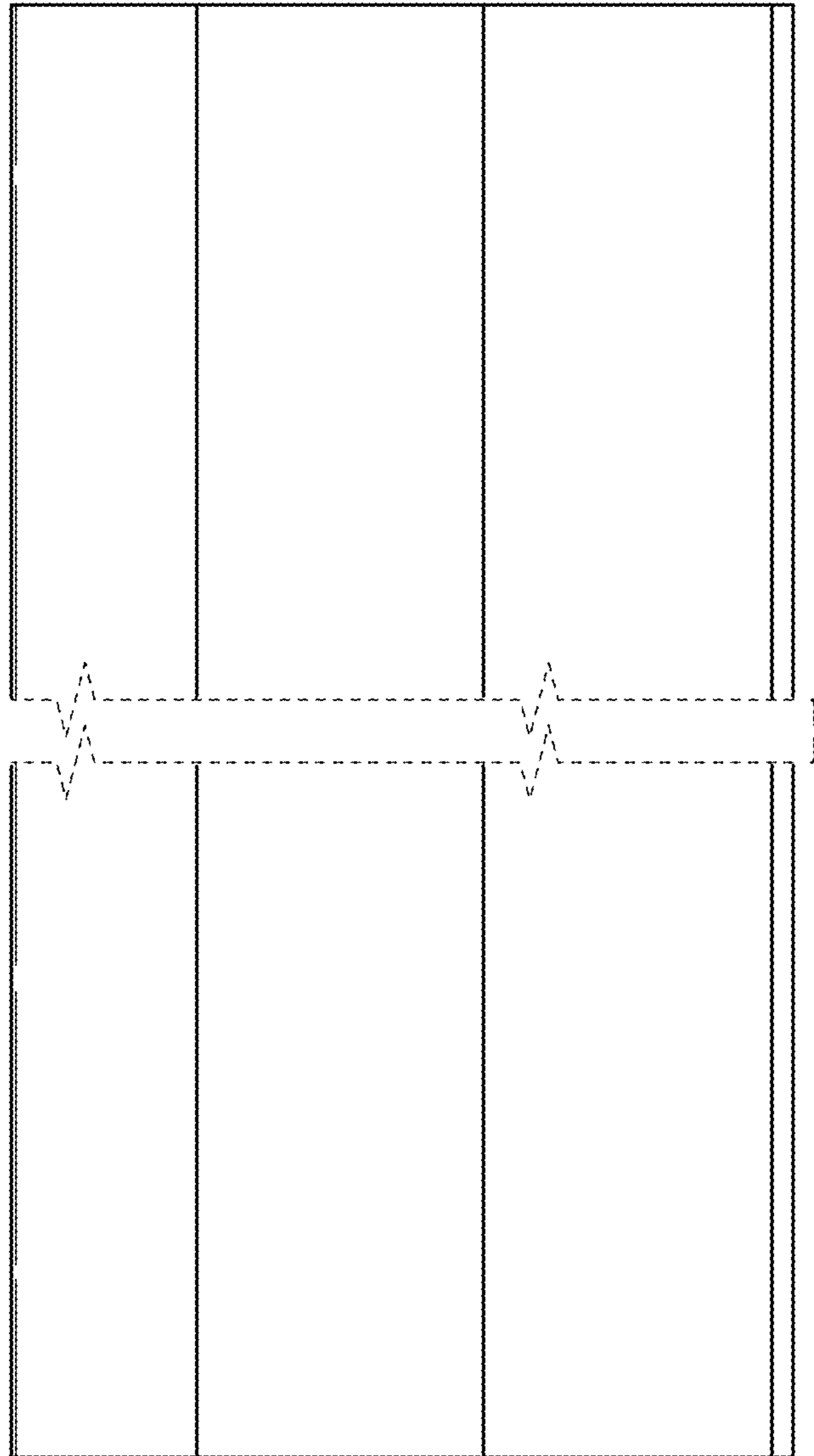


FIG. 5

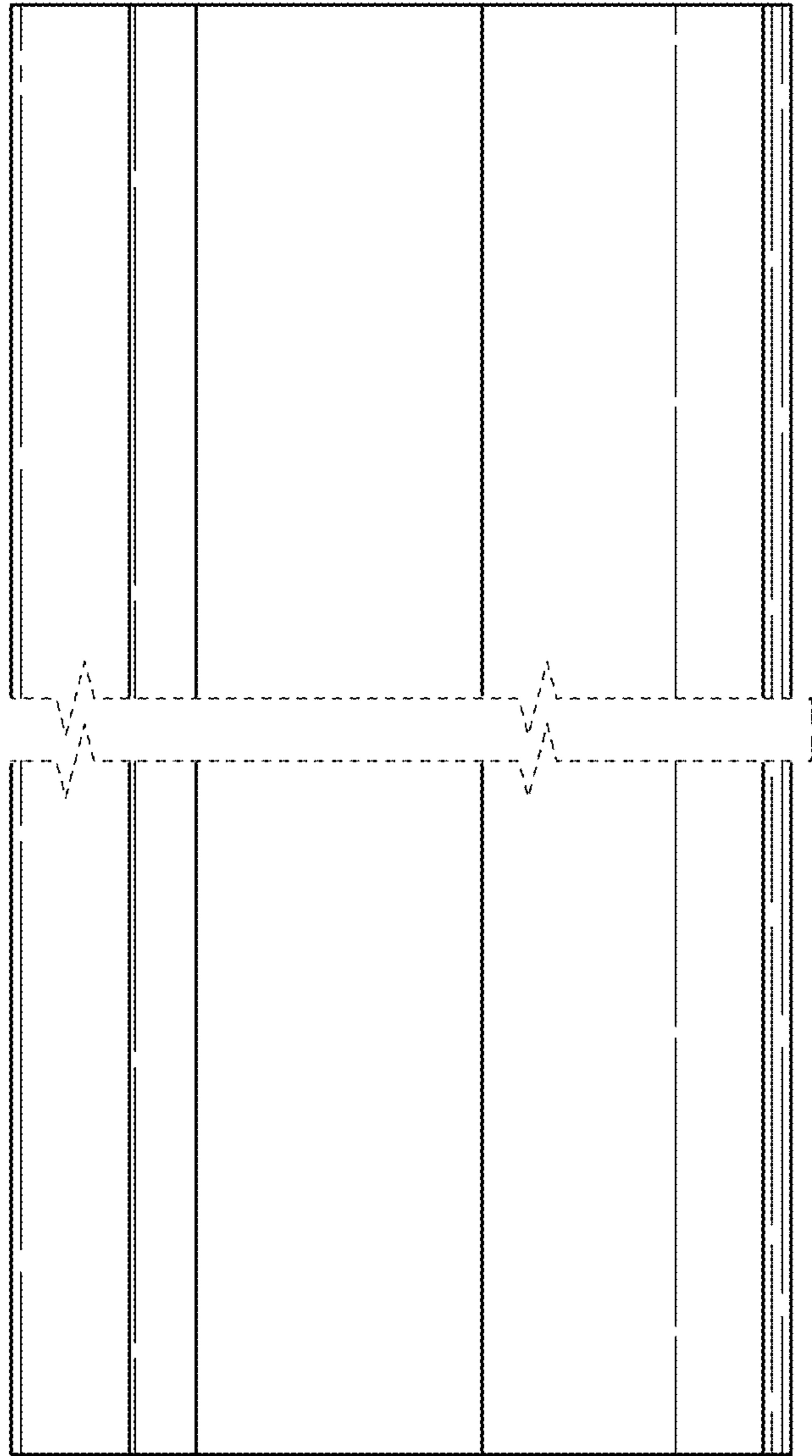


FIG. 6

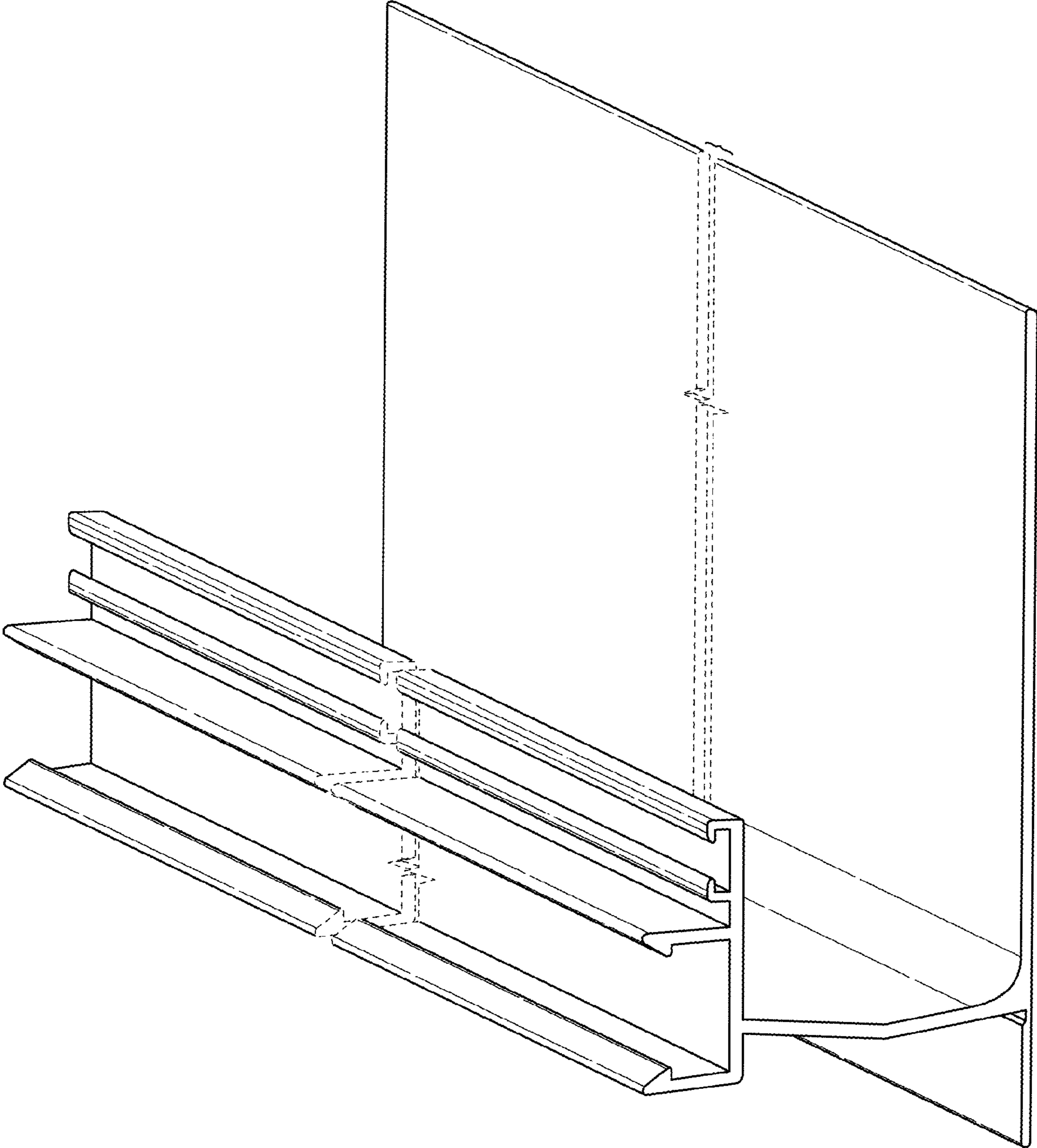


FIG. 7