



US00D901039S

(12) **United States Design Patent** (10) **Patent No.:** **US D901,039 S**  
**Helms et al.** (45) **Date of Patent:** **\*\* Nov. 3, 2020**

(54) **BUILDING EXTRUSION**

(71) Applicant: **Golden Homes Holdings Limited**,  
Tauranga (NZ)

(72) Inventors: **Lennard Trevor Helms**, Tauranga  
(NZ); **Michael Petersen**, Auckland  
(NZ)

(73) Assignee: **GOLDEN HOMES HOLDINGS  
LIMITED**, Tauranga (NZ)

(\*\*) Term: **15 Years**

(21) Appl. No.: **29/661,521**

(22) Filed: **Aug. 28, 2018**

(30) **Foreign Application Priority Data**

Feb. 28, 2018 (NZ) ..... 424123

(51) **LOC (12) Cl.** ..... **25-01**

(52) **U.S. Cl.**

USPC ..... **D25/119**

(58) **Field of Classification Search**

USPC ..... D25/48.2, 55, 119-123, 164, 199;  
D8/349, 354, 376

CPC ..... E04F 19/00; E04F 19/02; E04F 19/022;  
E04F 19/026; E04F 19/028; E04F 19/04;  
E04F 19/06; E04F 19/062; E04F 19/063;  
E04F 19/064; E04F 13/00; E04F 13/007;  
E04F 13/07; E04F 13/072; E04F 13/073;  
E04F 13/0733; E04F 13/0736; E04F  
2019/044; E04F 2019/0445; E04F  
13/0801; E04F 13/0832; E04F 13/0866;  
E04F 13/12; E04F 19/061; E04D 13/08

See application file for complete search history.

(56) **References Cited**

U.S. PATENT DOCUMENTS

D279,315 S *	6/1985	Smith .....	D25/119
4,793,114 A *	12/1988	Pacca .....	E06B 1/702
			D25/119
D384,169 S *	9/1997	Leonelli .....	D25/119
D523,565 S *	6/2006	Antonic .....	D25/119
D787,709 S *	5/2017	Krause .....	D25/119
9,683,373 B2 *	6/2017	Helms .....	E04F 19/061
D821,000 S *	6/2018	Pennewell .....	D25/119
D824,046 S *	7/2018	Krause .....	E04F 13/0826
			D25/119
2003/0051416 A1 *	3/2003	Inzeo .....	E04D 13/155
			52/40

\* cited by examiner

*Primary Examiner* — Llorelys Martinez  
(74) *Attorney, Agent, or Firm* — Knobbe, Martens, Olson  
& Bear, LLP

(57) **CLAIM**

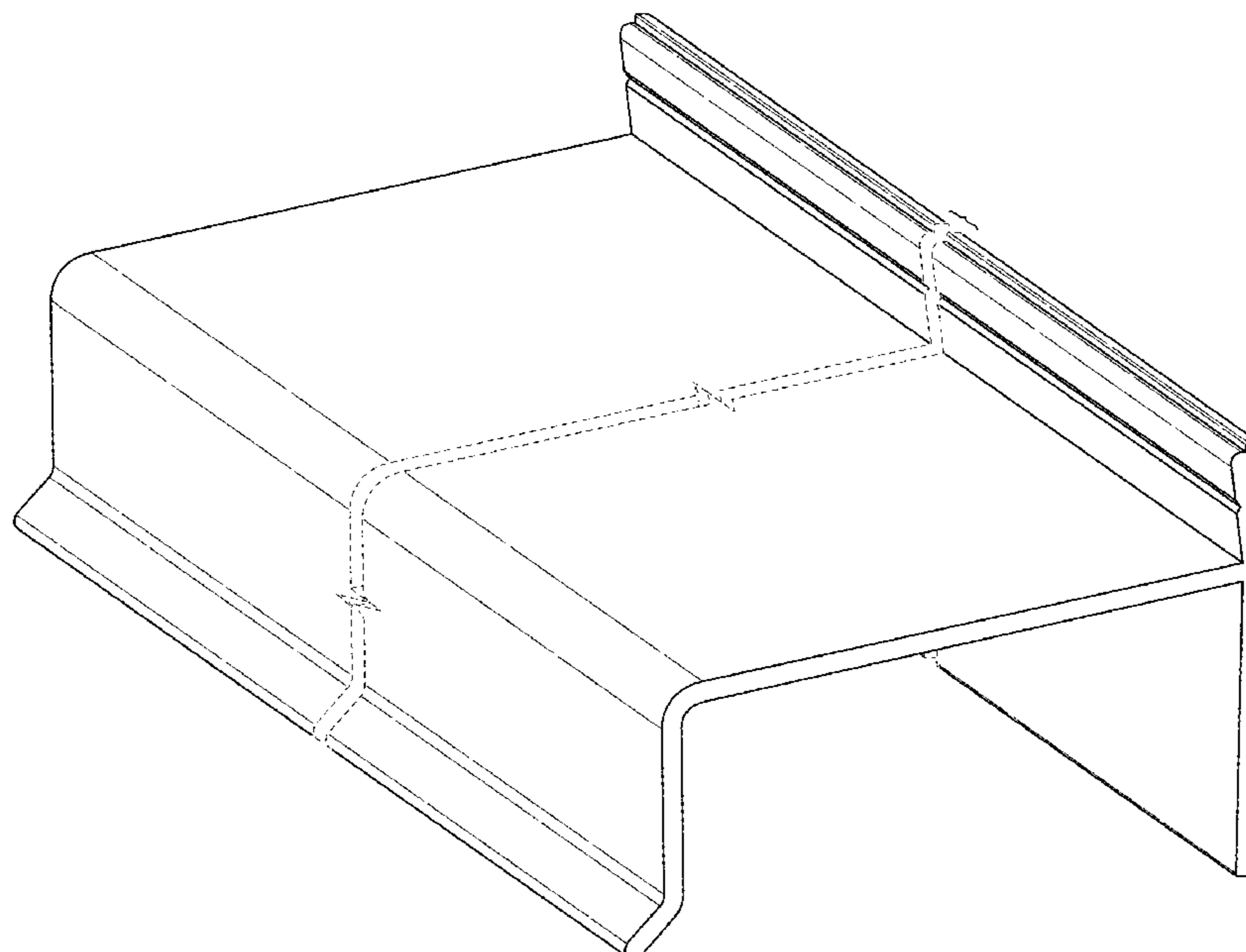
The ornamental design for a building extrusion, as shown  
and described.

**DESCRIPTION**

FIG. 1 is a front end view of a building extrusion, showing  
our new design;  
FIG. 2 is a back end view thereof;  
FIG. 3 is a right side elevational view thereof;  
FIG. 4 is a left side elevational view thereof;  
FIG. 5 is a bottom plan view thereof;  
FIG. 6 is a top plan view thereof; and,  
FIG. 7 is a perspective view thereof.

The building extrusion is shown with a symbolic break in its  
length. The appearance of any portion of the building  
extrusion between the break lines forms no part of the  
claimed design.

**1 Claim, 7 Drawing Sheets**



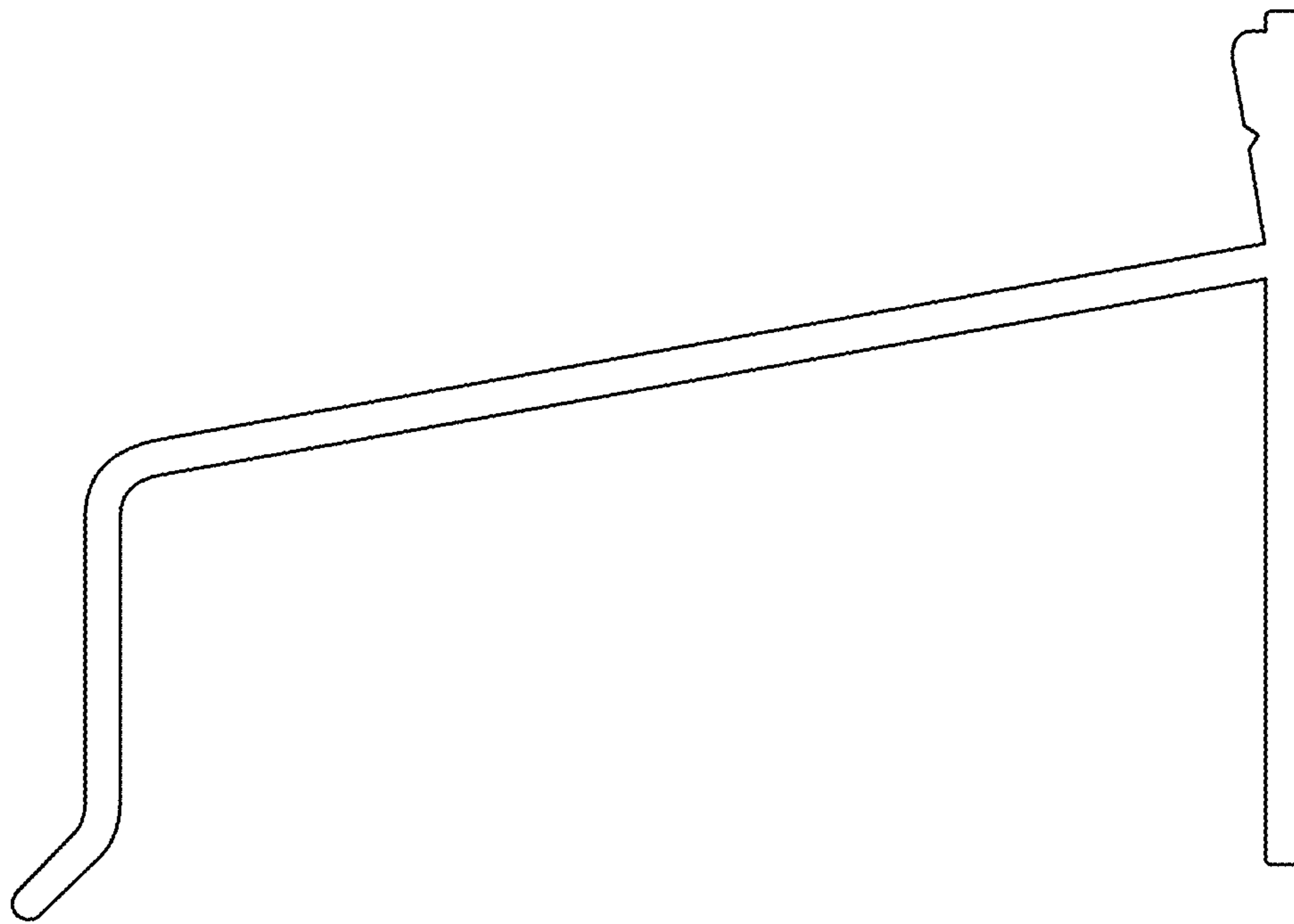


FIG. 1

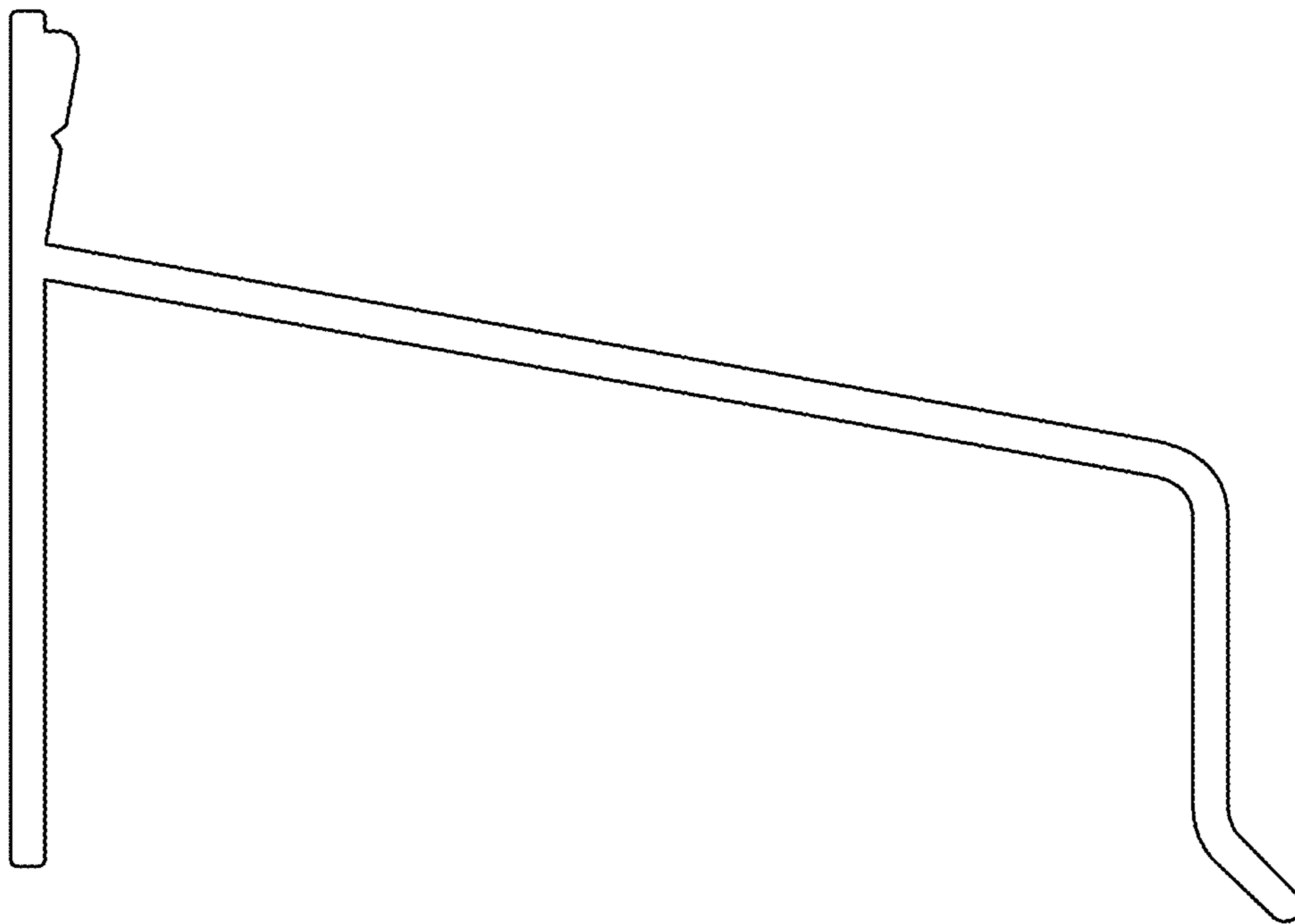


FIG. 2

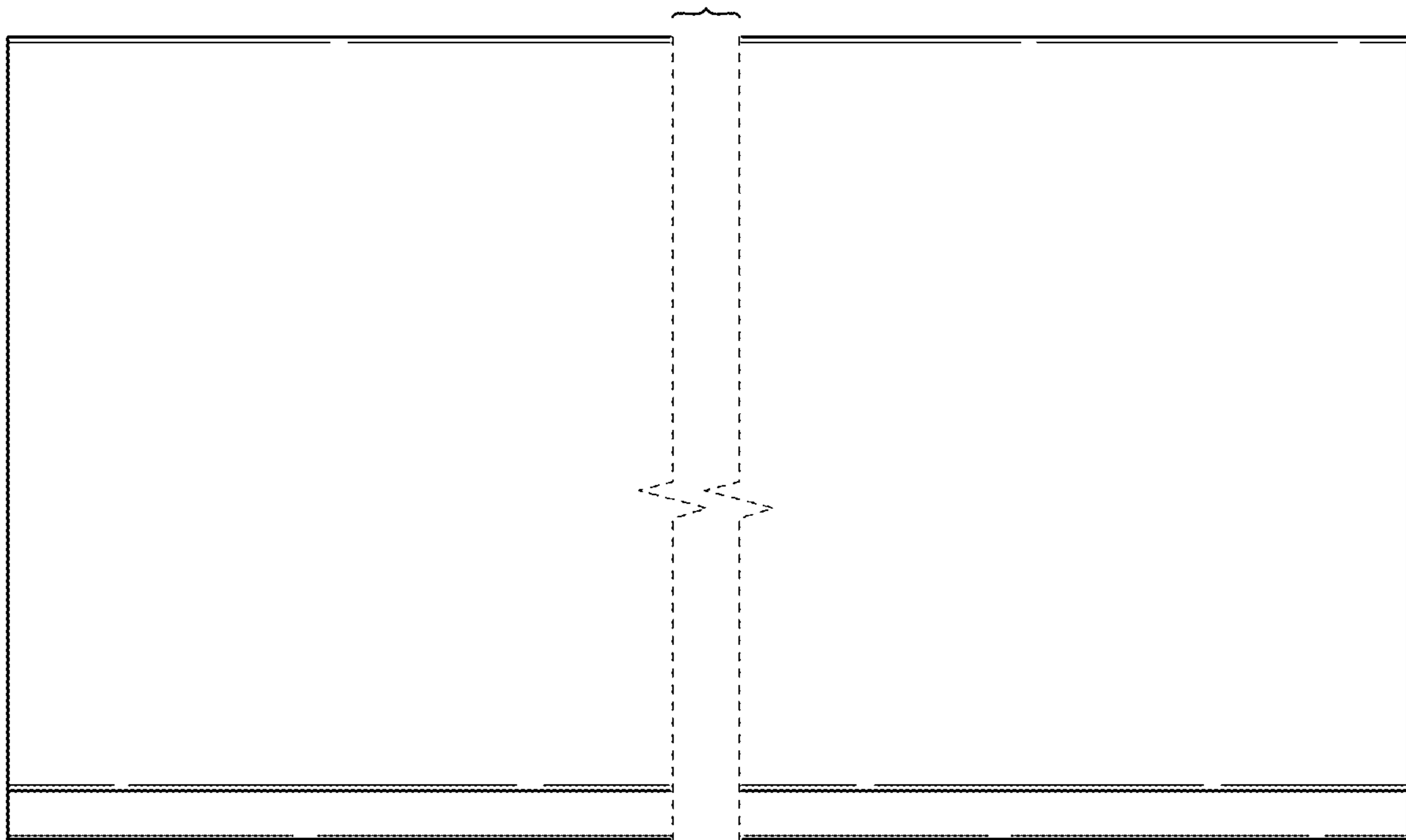


FIG. 3

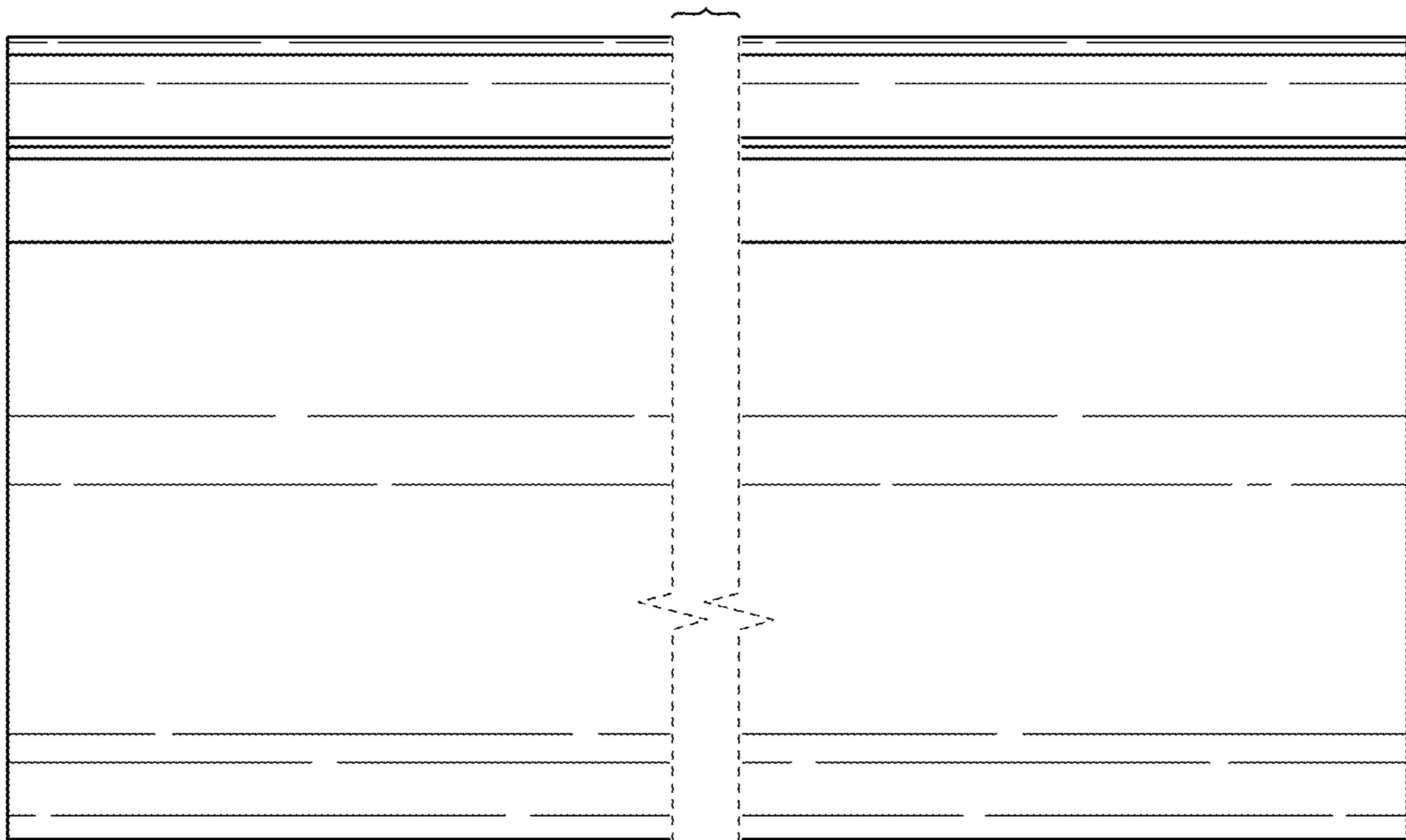


FIG. 4

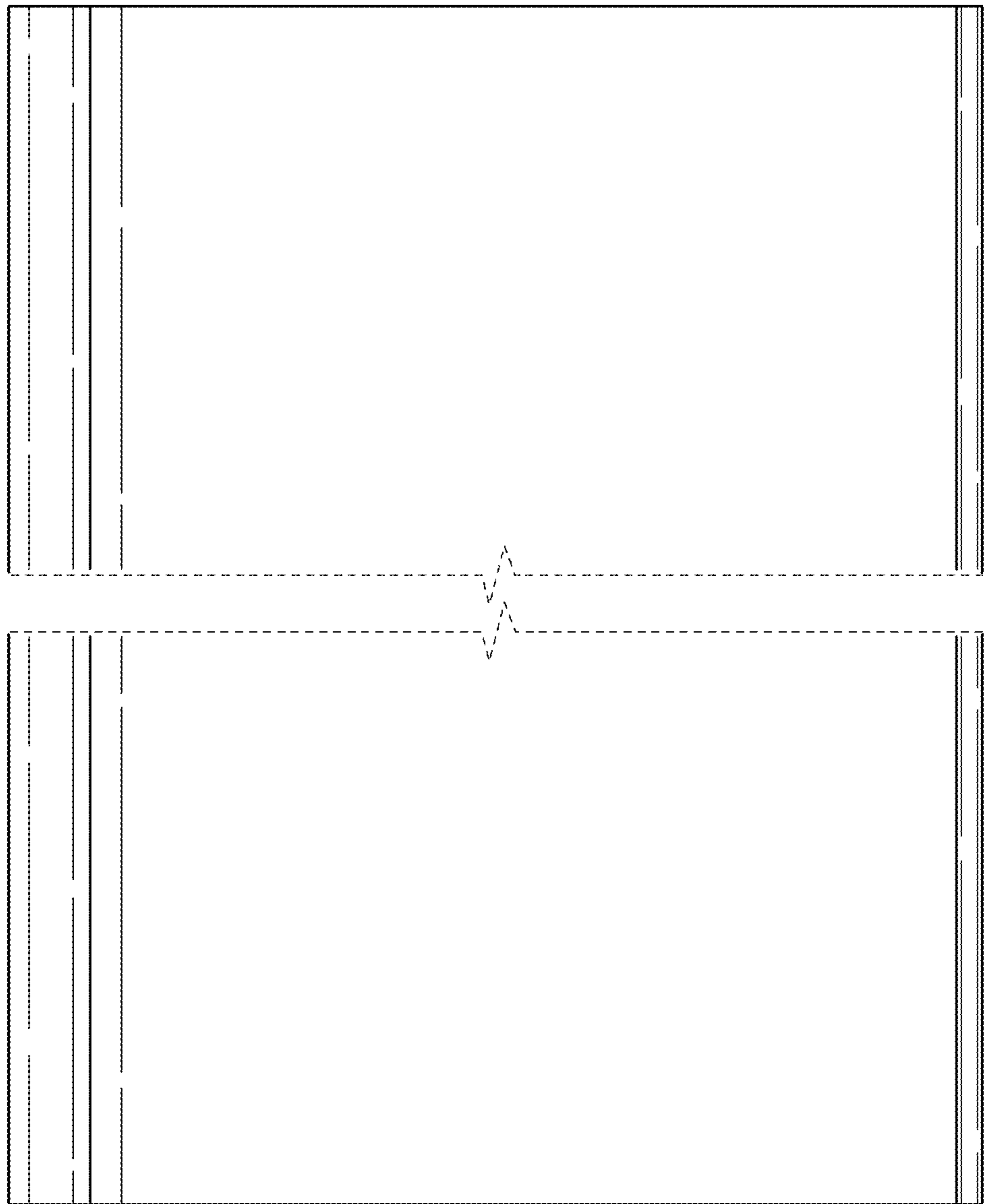


FIG. 5

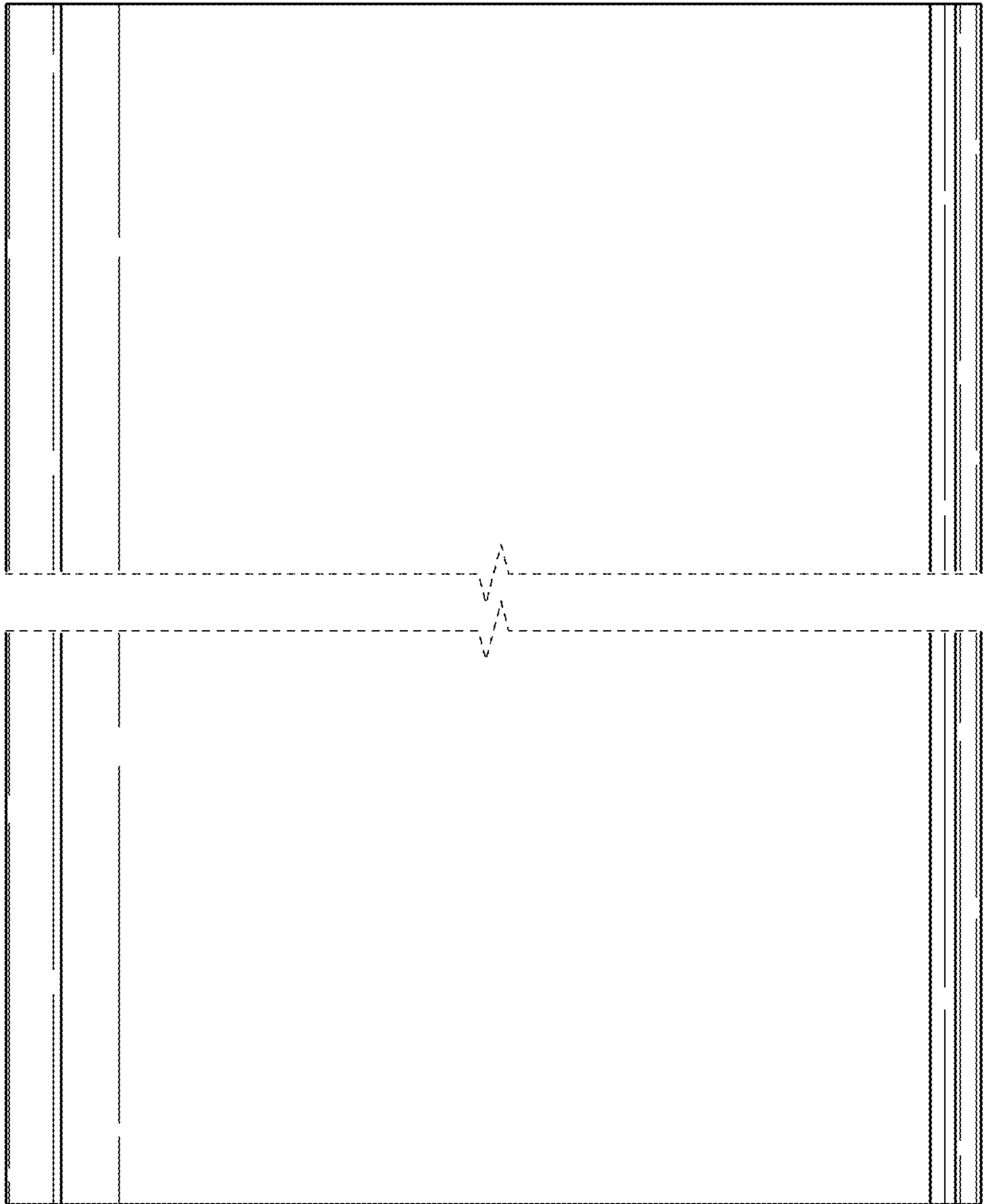


FIG. 6

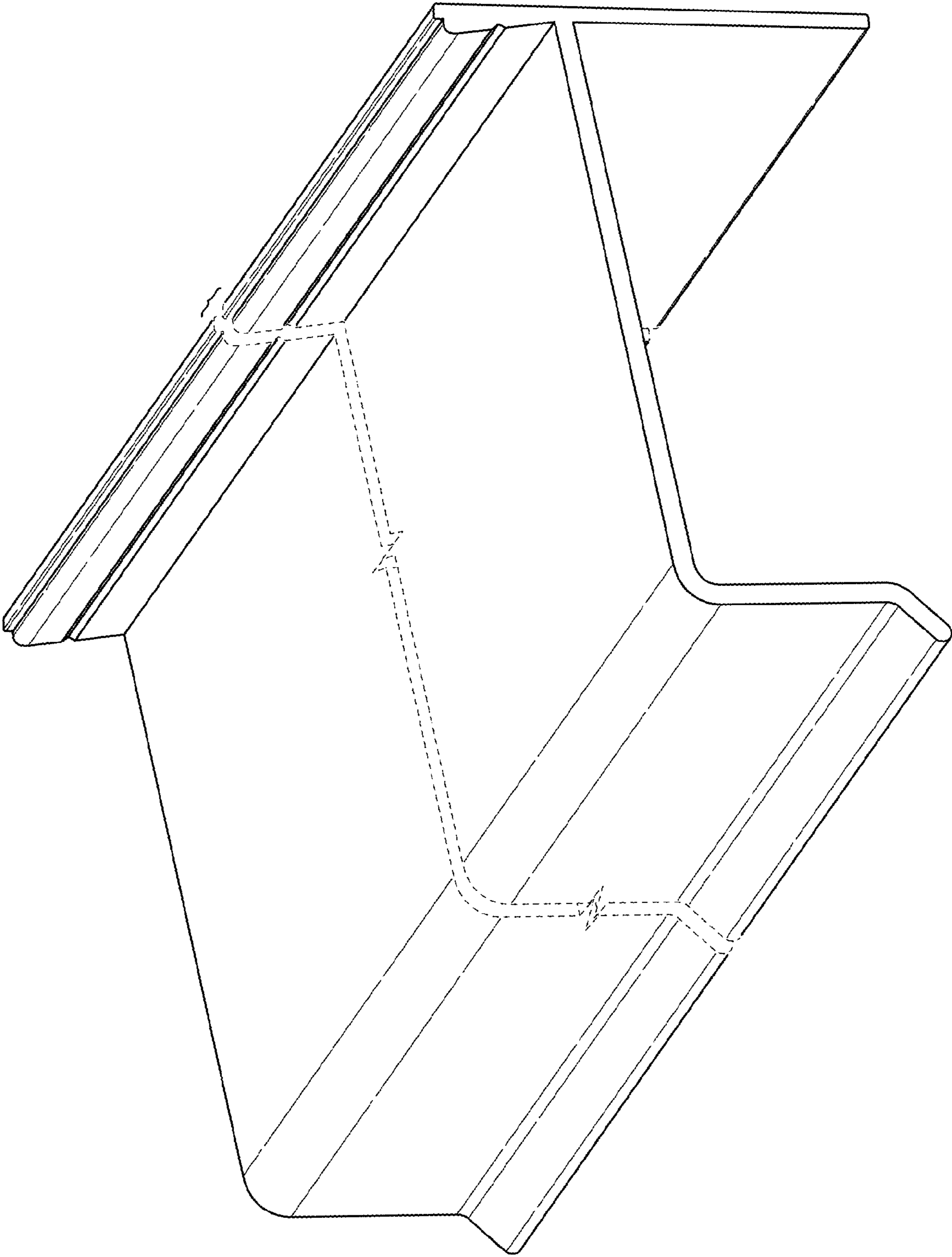


FIG. 7