



US00D901038S

(12) **United States Design Patent**  
**Kennedy et al.**

(10) **Patent No.:** **US D901,038 S**

(45) **Date of Patent:** **\*\* Nov. 3, 2020**

(54) **CEILING GRID STRUCTURAL MEMBER**

(71) Applicant: **TATE ACCESS FLOORS, INC.**,  
Jessup, MD (US)

(72) Inventors: **Daniel Brent Kennedy**, Lovettsville,  
VA (US); **Rachel Elizabeth Morrison**,  
Columbia, MD (US)

(73) Assignee: **TATE ACCESS FLOORS, INC.**,  
Jessup, MD (US)

(\*\*) Term: **15 Years**

(21) Appl. No.: **29/678,117**

(22) Filed: **Jan. 25, 2019**

(51) **LOC (12) Cl.** ..... **25-01**

(52) **U.S. Cl.**  
USPC ..... **D25/61**

(58) **Field of Classification Search**  
USPC ..... D8/71, 72, 74, 106, 349, 354, 384, 394,  
D8/403; D61/61, 119, 126-135, 164  
CPC . E04B 9/064; E04B 9/067; E04B 9/10; E04B  
9/12; E04B 9/125; E04B 9/127; E04B  
9/18; E04B 9/183; E04B 9/20; E04B  
9/30; E04C 2003/0421; E04C 2003/0434;  
E04C 2003/046; E04C 3/07; F24F  
13/068; F24F 13/075

See application file for complete search history.

(56) **References Cited**

**U.S. PATENT DOCUMENTS**

D465,586 S \* 11/2002 Krieger ..... D25/121  
D567,397 S \* 4/2008 Terada ..... D25/126

D828,581 S \* 9/2018 Reynolds ..... D25/61  
D829,345 S \* 9/2018 Czyzewicz ..... D25/58  
10,590,649 B1 \* 3/2020 Morrison ..... E04B 9/183  
2017/0292269 A1 \* 10/2017 Tornqvist ..... E04B 9/064

**OTHER PUBLICATIONS**

Tate Structural Ceiling Grid <http://www.datacenteraircontainment.com/wp-content/uploads/2015/12/24instructuralgriddatasheet.pdf>  
Uploaded Dec. 2015 (Year: 2015).\*

\* cited by examiner

*Primary Examiner* — Leanne Was-Englehart

(74) *Attorney, Agent, or Firm* — Oliff PLC

(57) **CLAIM**

The ornamental design for ceiling grid structural member, as shown and described.

**DESCRIPTION**

FIG. 1 is a top perspective view of ceiling grid structural member of our design.

FIG. 2 is a front elevation view thereof, with the rear elevation view being a mirror image of the front elevation view.

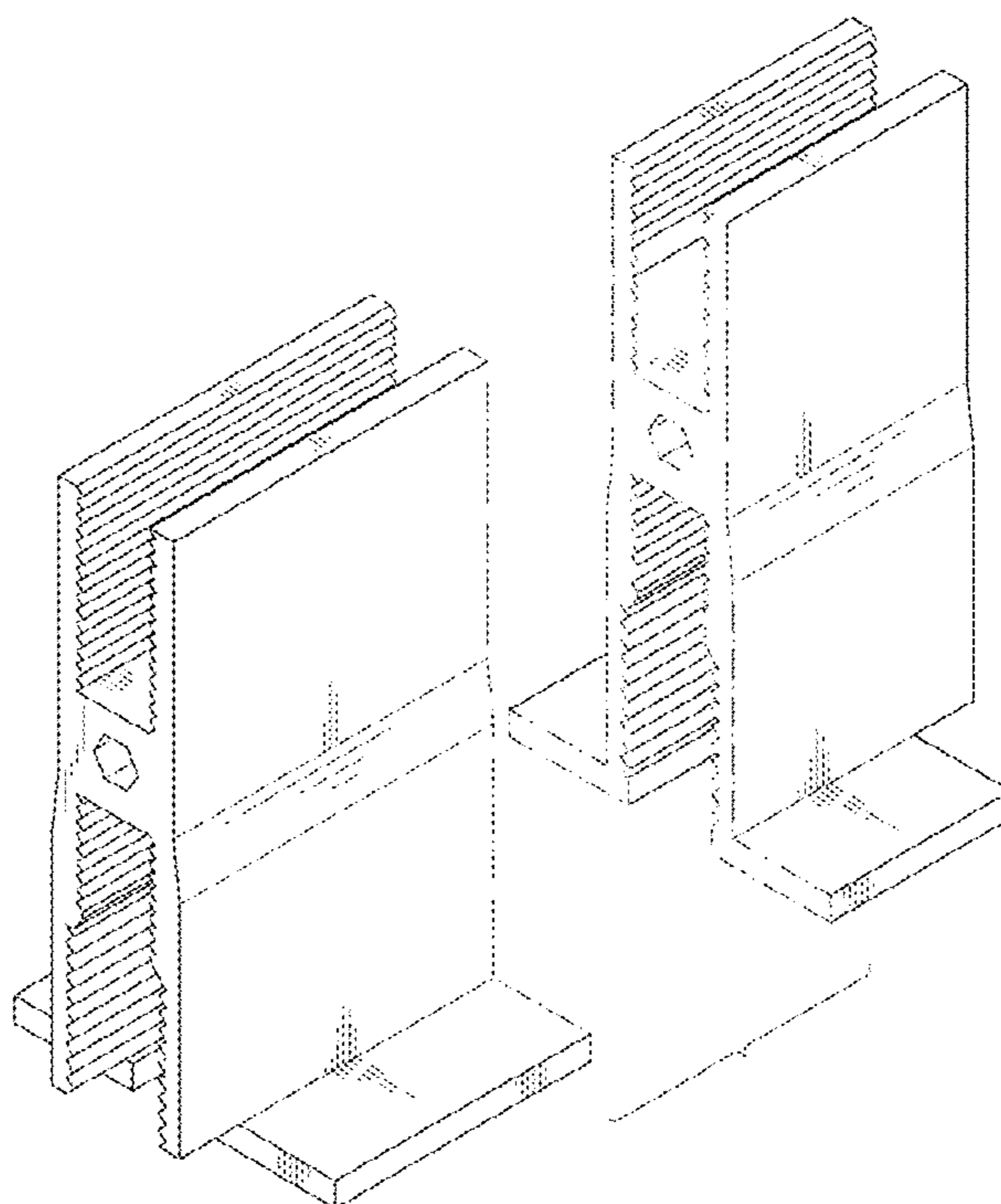
FIG. 3 is a top view thereof.

FIG. 4 is a right-side view thereof, with the left-side view being a mirror image of the right-side view; and,

FIG. 5 is a bottom view thereof.

The drawings contain a symbolic break. The portion between the break lines forms no part of the claimed design.

**1 Claim, 5 Drawing Sheets**



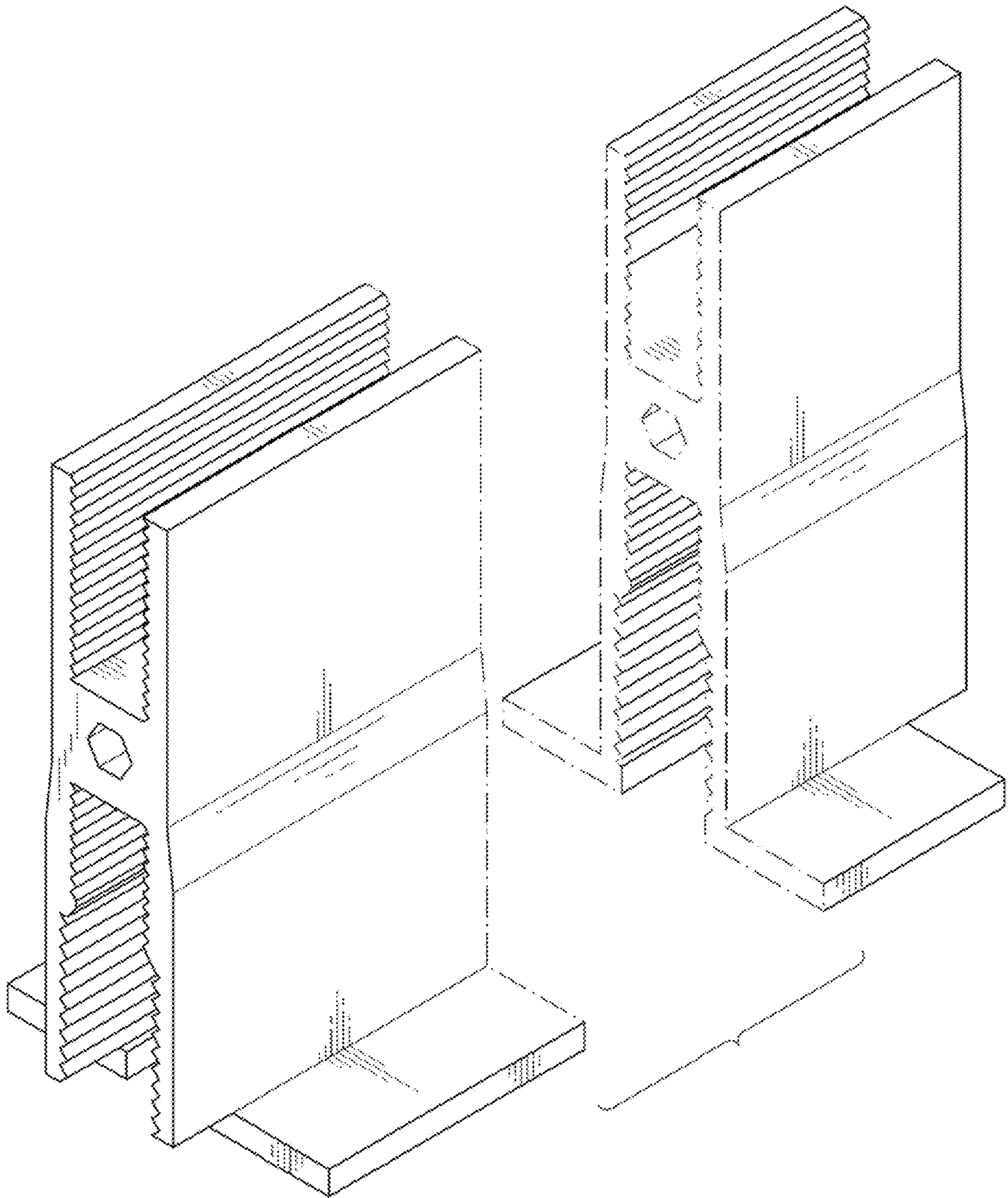


FIG. 1

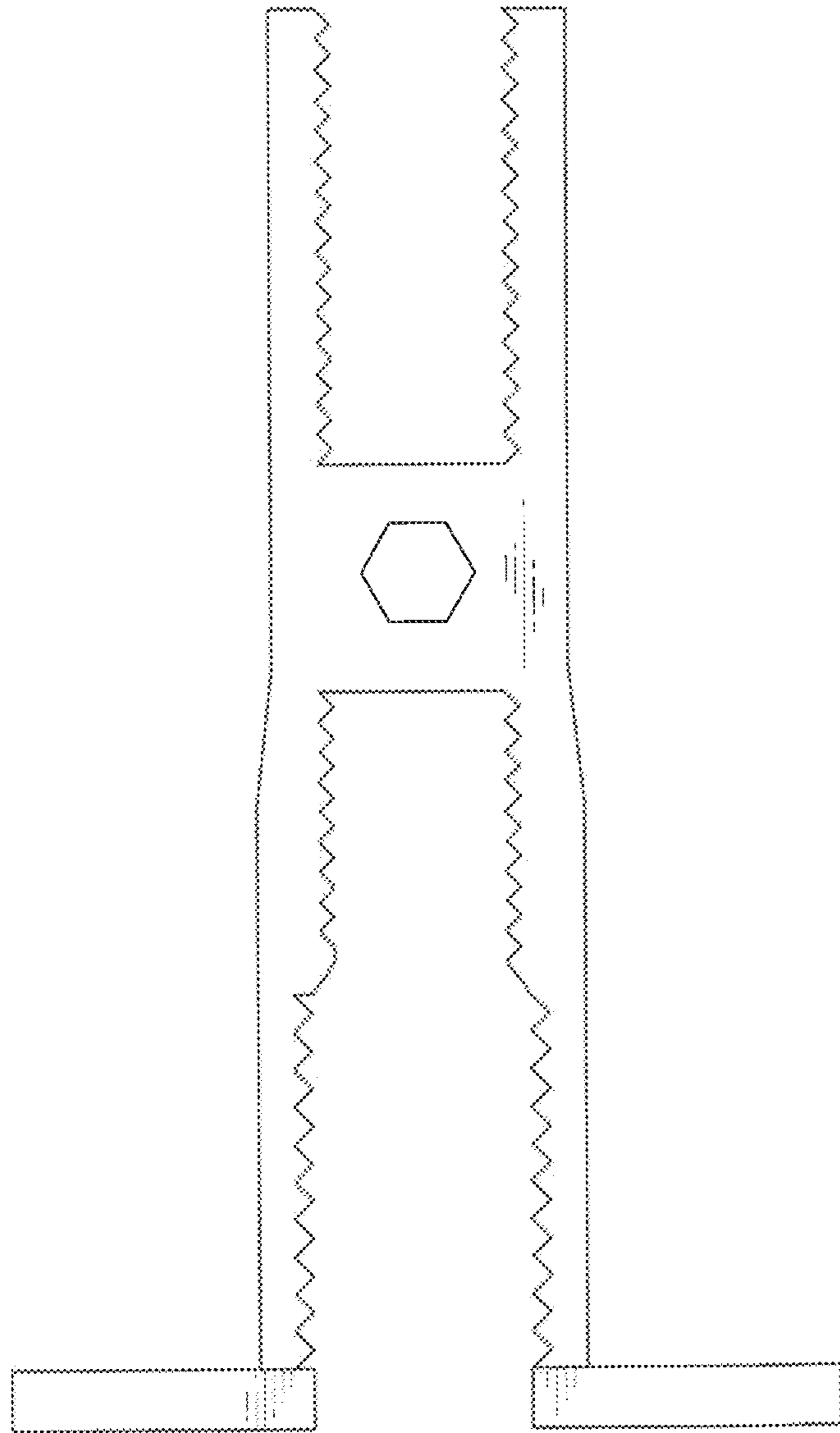


FIG. 2

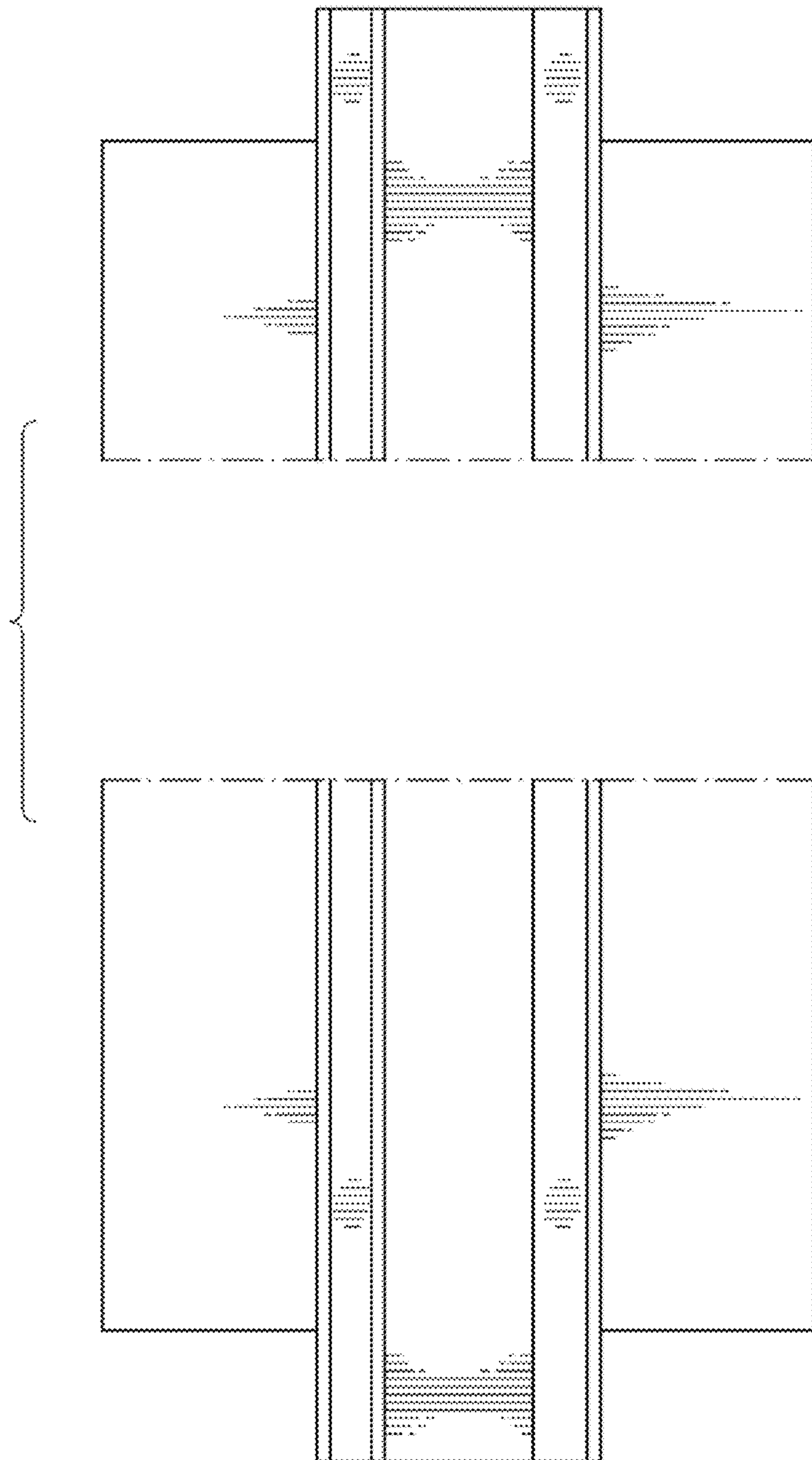


FIG. 3



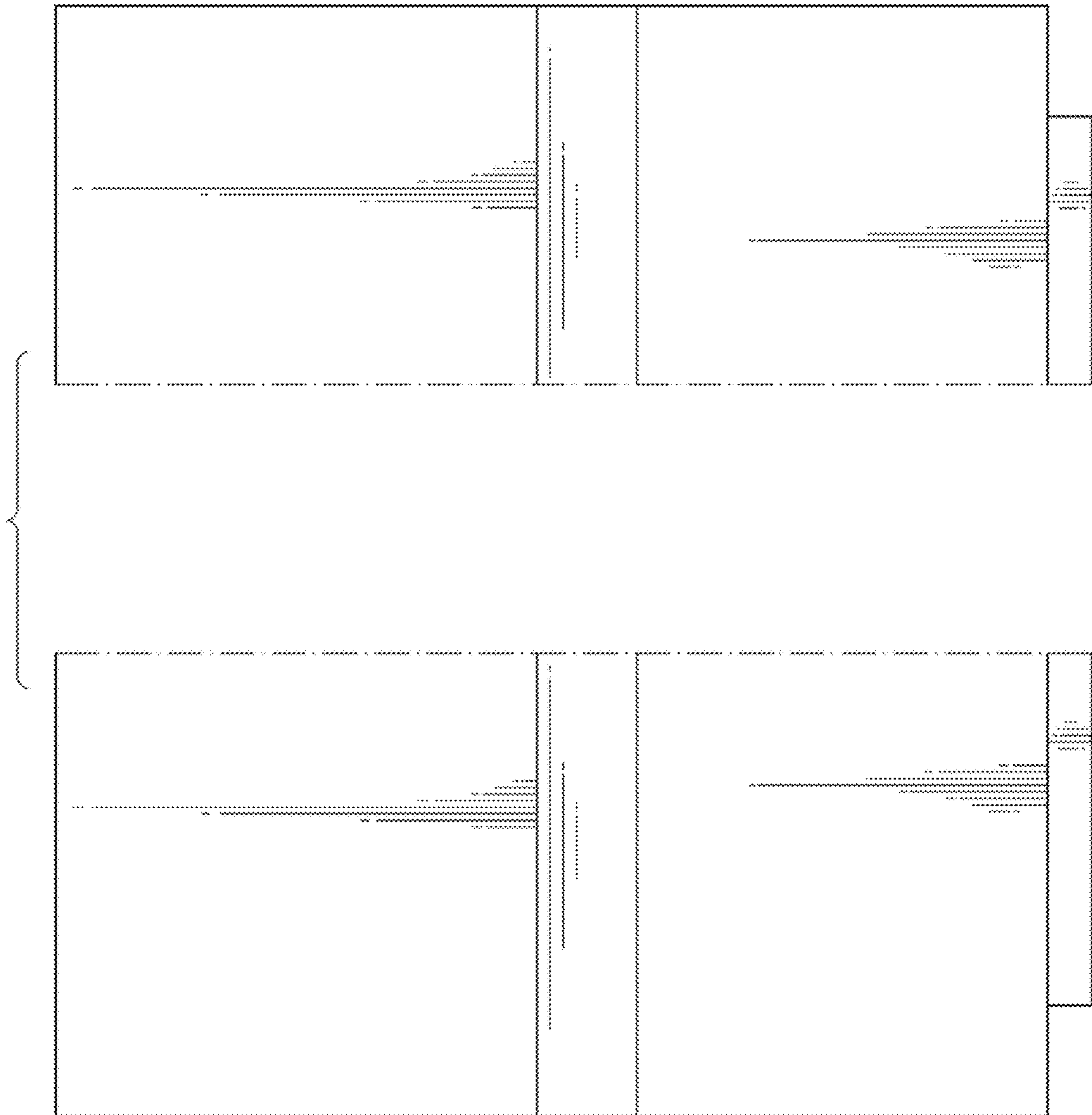


FIG. 4

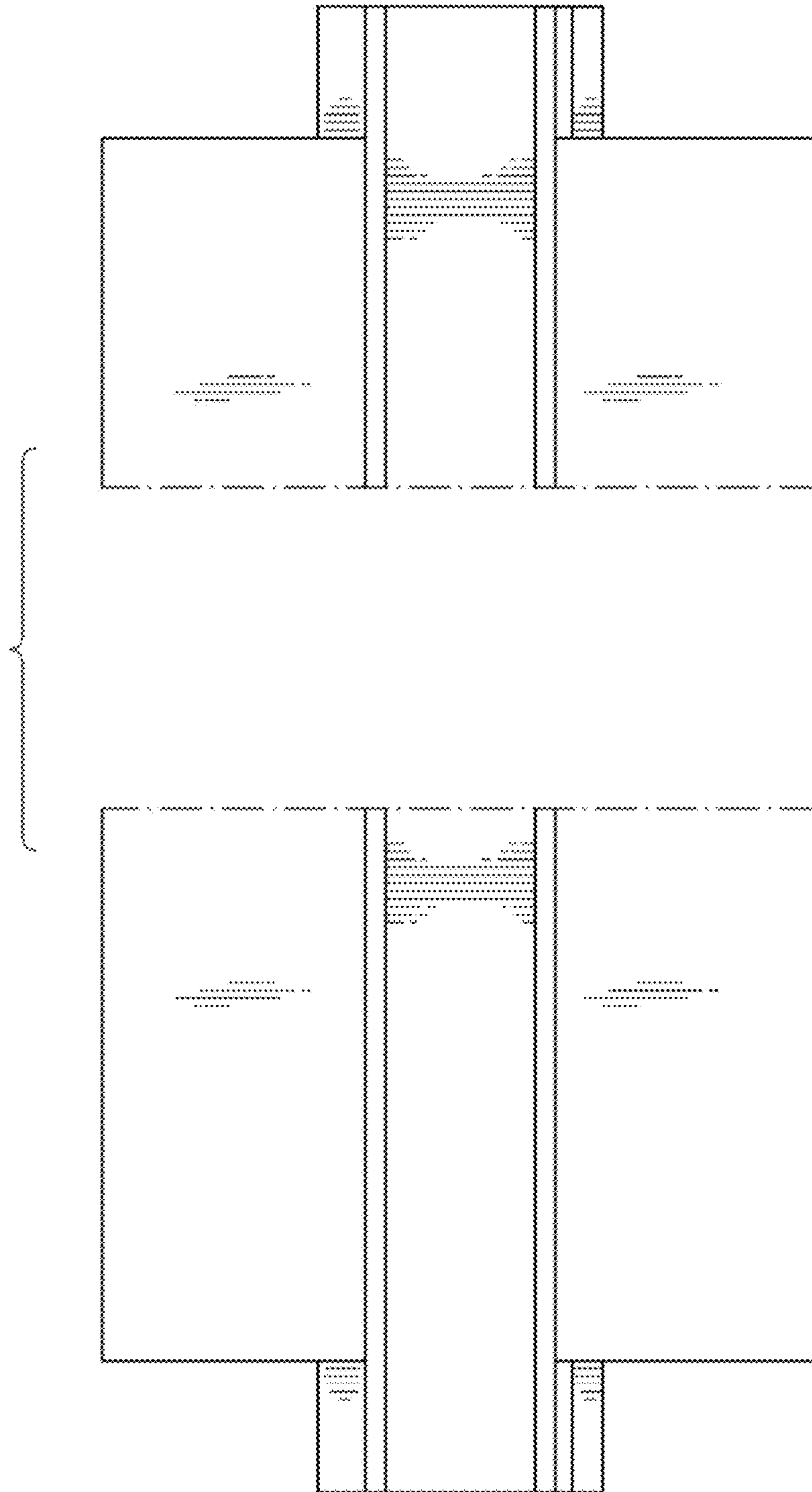


FIG. 5